



US00D378721S

# United States Patent [19]

[11] Patent Number: **Des. 378,721**

Ramsey et al.

[45] Date of Patent: **\*\*Apr. 8, 1997**

[54] **STORAGE CONTAINER FOR SOFTWARE DISKETTES**

[76] Inventors: **Roger H. Ramsey**, 871 Merriman Rd., Akron, Ohio 44303; **Charles S. Johnson**, 174 Hunt Club Dr. #3-D, Copley, Ohio 44321; **Cherry Bochman**, 6909 Schoepf Dr., Northfield, Ohio 44067

[\*\*] Term: **14 Years**

[21] Appl. No.: **47,865**

[22] Filed: **Dec. 13, 1995**

[52] U.S. Cl. .... **D6/634**; D6/407; D6/448

[58] Field of Search ..... D6/407, 626; D9/423, D9/424, 432, 420; D3/201; D19/75, 76, 90; 206/308.3, 308.1, 309-313; 312/902, 9.9, 9.48, 9.55, 9.64, 9.47, 9.53, 328

[56] **References Cited**

**U.S. PATENT DOCUMENTS**

D. 230,527	2/1974	Berkman	.....	D87/1 D
D. 249,823	10/1978	Berkman	.....	D87/1 D
D. 257,496	11/1980	Berkman	.....	D3/35
D. 281,464	11/1985	Drake	.....	D6/634
D. 287,068	12/1986	Long et al.	.....	D6/630
D. 293,279	12/1987	Evans	.....	D3/35
D. 293,625	1/1988	Bankier	.....	D3/35
D. 308,340	6/1990	Ilsen	.....	D9/425

D. 327,220	6/1992	Proffitt et al.	.....	D9/423
D. 330,329	10/1992	Brightbill	.....	D9/424
D. 330,975	11/1992	Stafford	.....	D3/35
D. 344,406	2/1994	Nemeth	.....	D6/634
D. 347,959	6/1994	Sankey	.....	D6/632
4,848,574	7/1989	Murphy et al.	.....	206/308.3
5,201,414	4/1993	Kaszubinski	.....	206/308.1

*Primary Examiner*—Louis S. Zarfaz  
*Assistant Examiner*—Gregory Andoll  
*Attorney, Agent, or Firm*—Sand & Sebolt

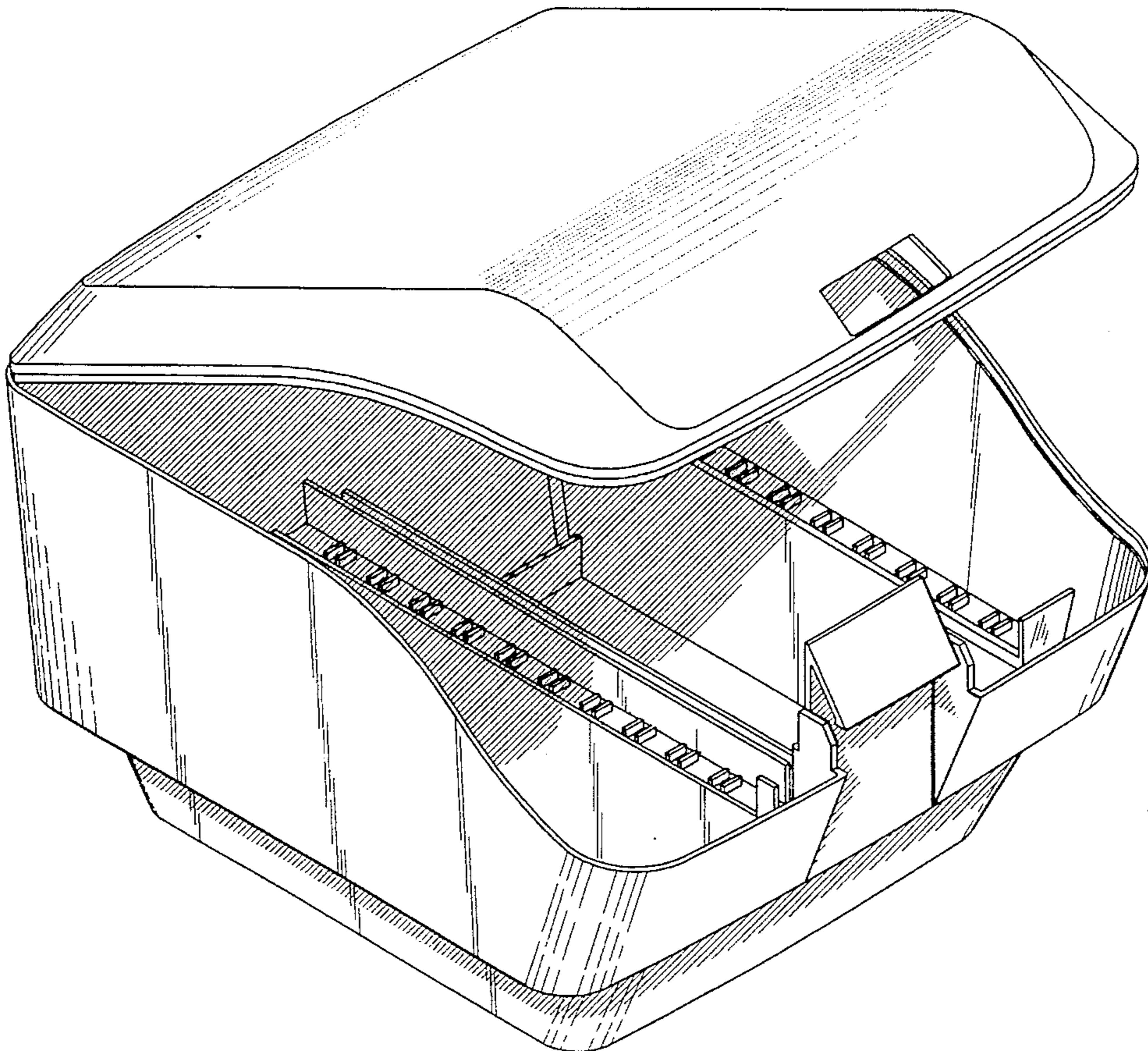
[57] **CLAIM**

The ornamental design for a storage container for software diskettes, as shown and described.

**DESCRIPTION**

FIG. 1 is a perspective view of a storage container for software diskettes shown in partial open position showing our new design;  
FIG. 2 is a side elevational view of FIG. 1 with the lid shown in full open position;  
FIG. 3 is a top plan view of FIG. 2;  
FIG. 4 is a front elevational view of the storage container in closed position;  
FIG. 5 is a top plan view of FIG. 4;  
FIG. 6 is a left side elevational view of FIG. 4, the right side being a mirror image;  
FIG. 7 is a bottom plan view of FIG. 6; and,  
FIG. 8 is a rear elevational view of FIG. 4.

**1 Claim, 5 Drawing Sheets**



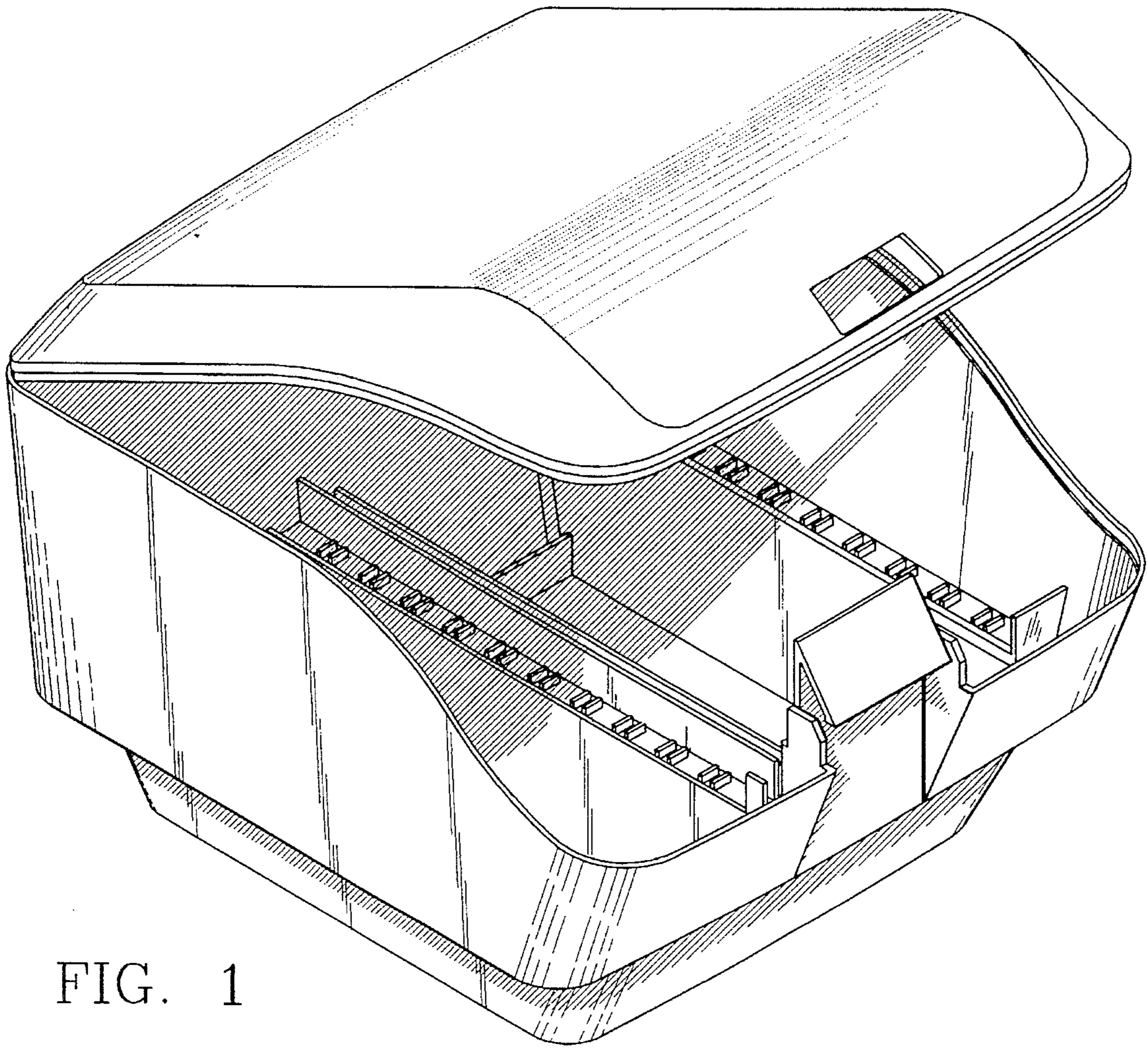


FIG. 1

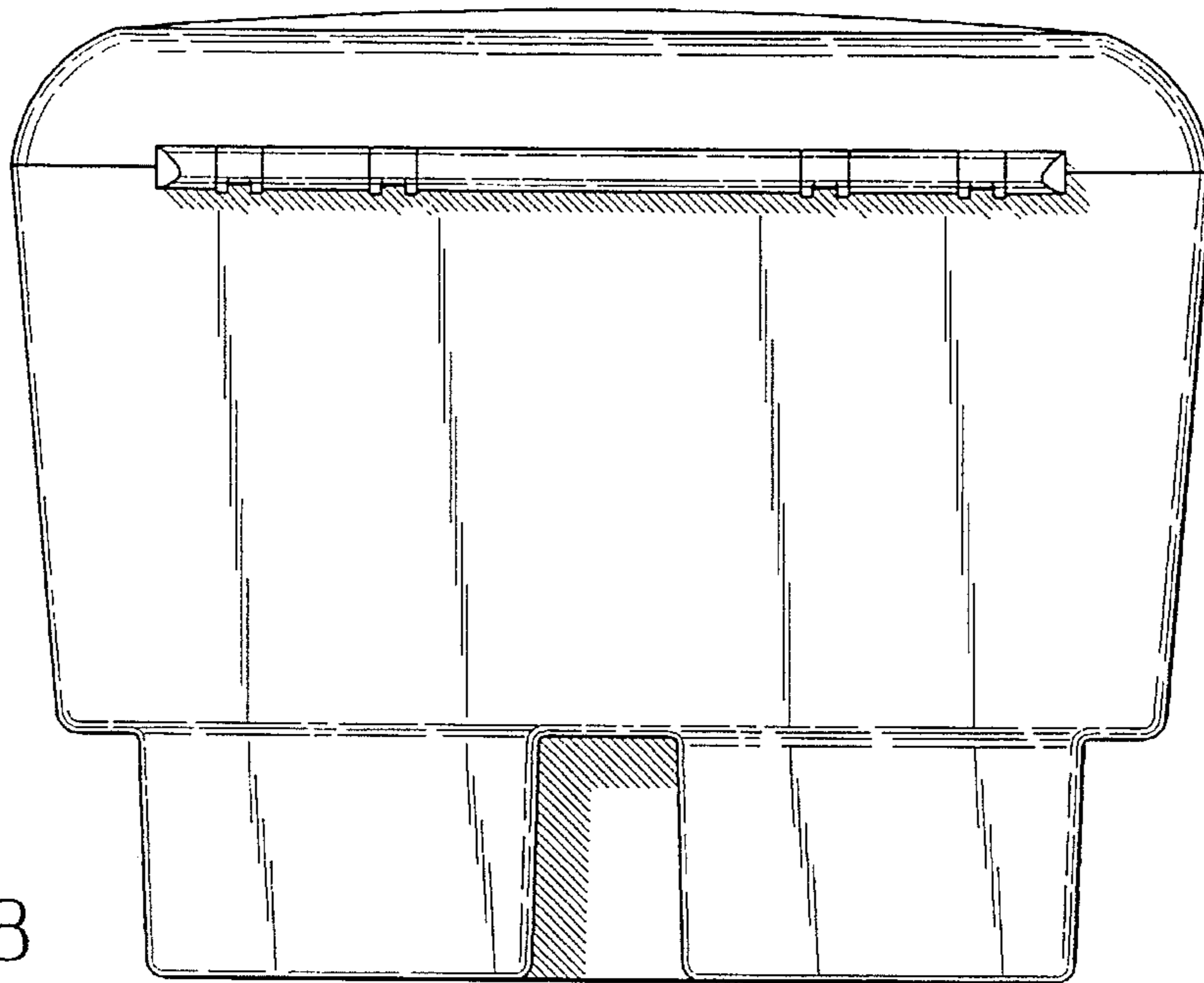


FIG. 8

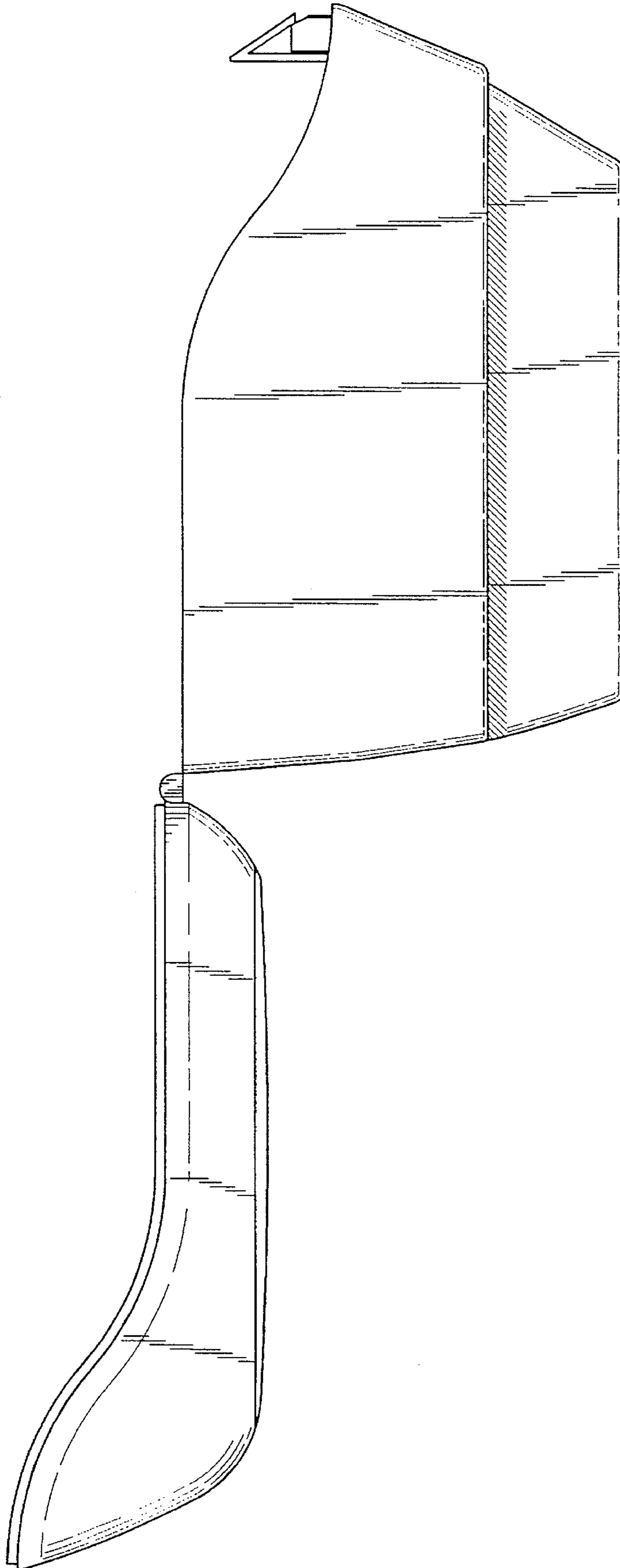


FIG. 2

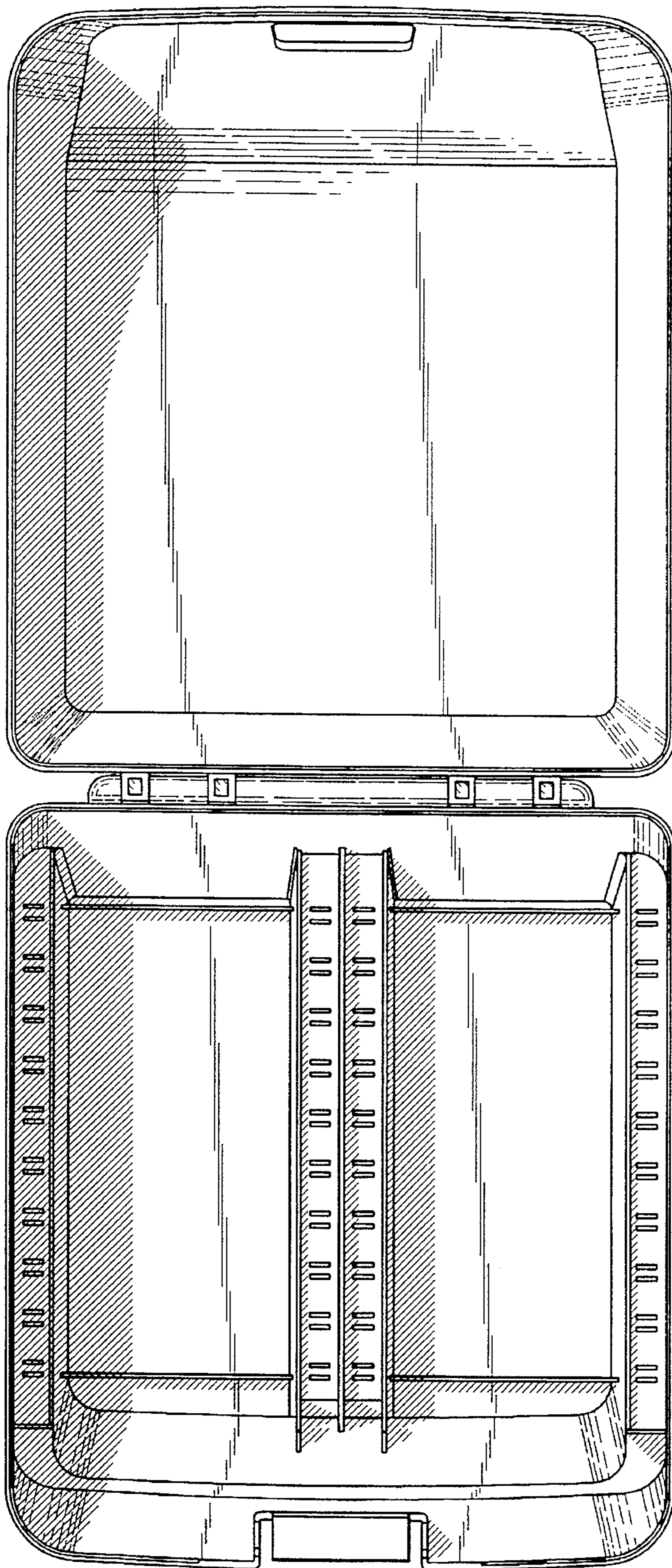


FIG. 3

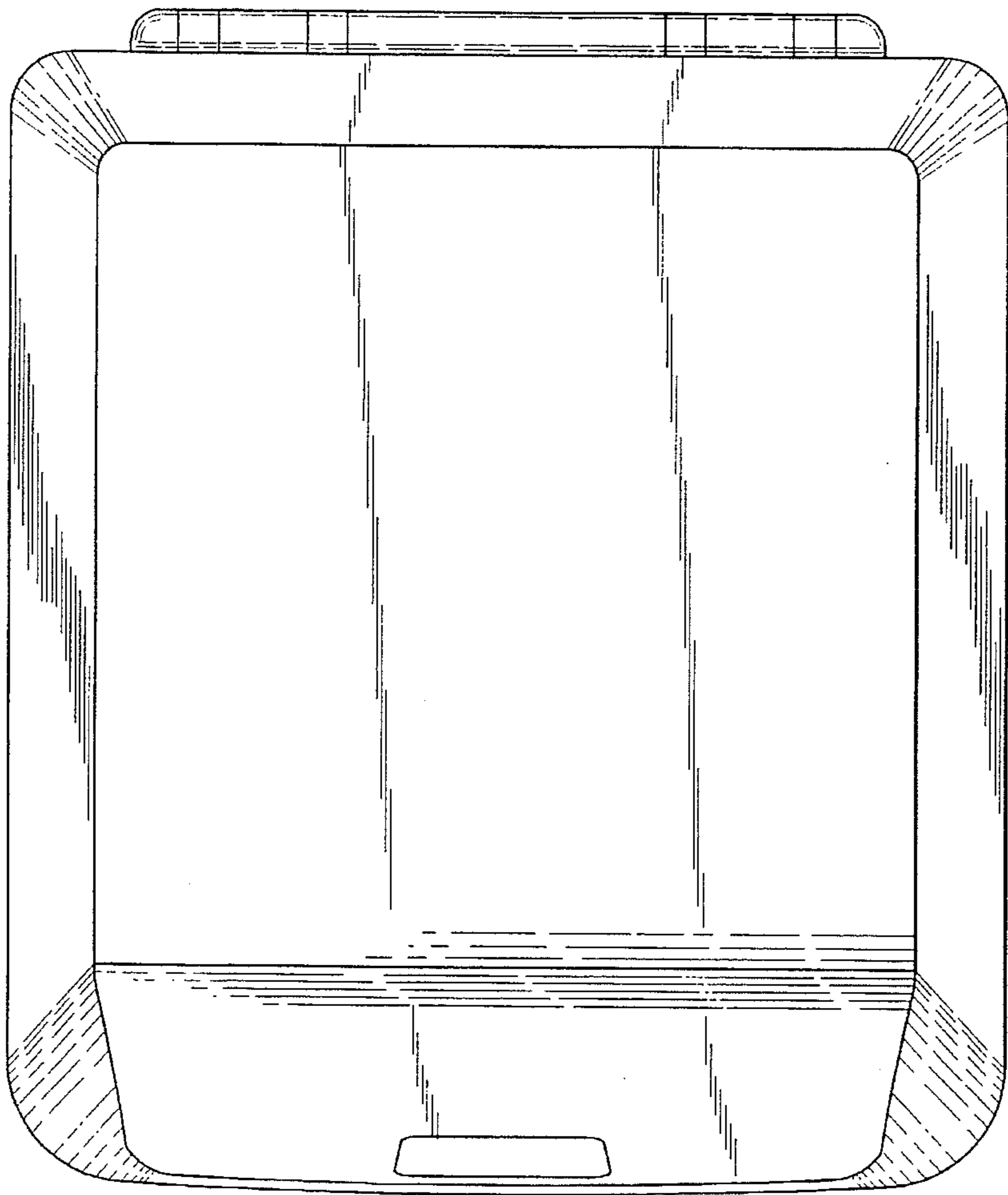


FIG. 5

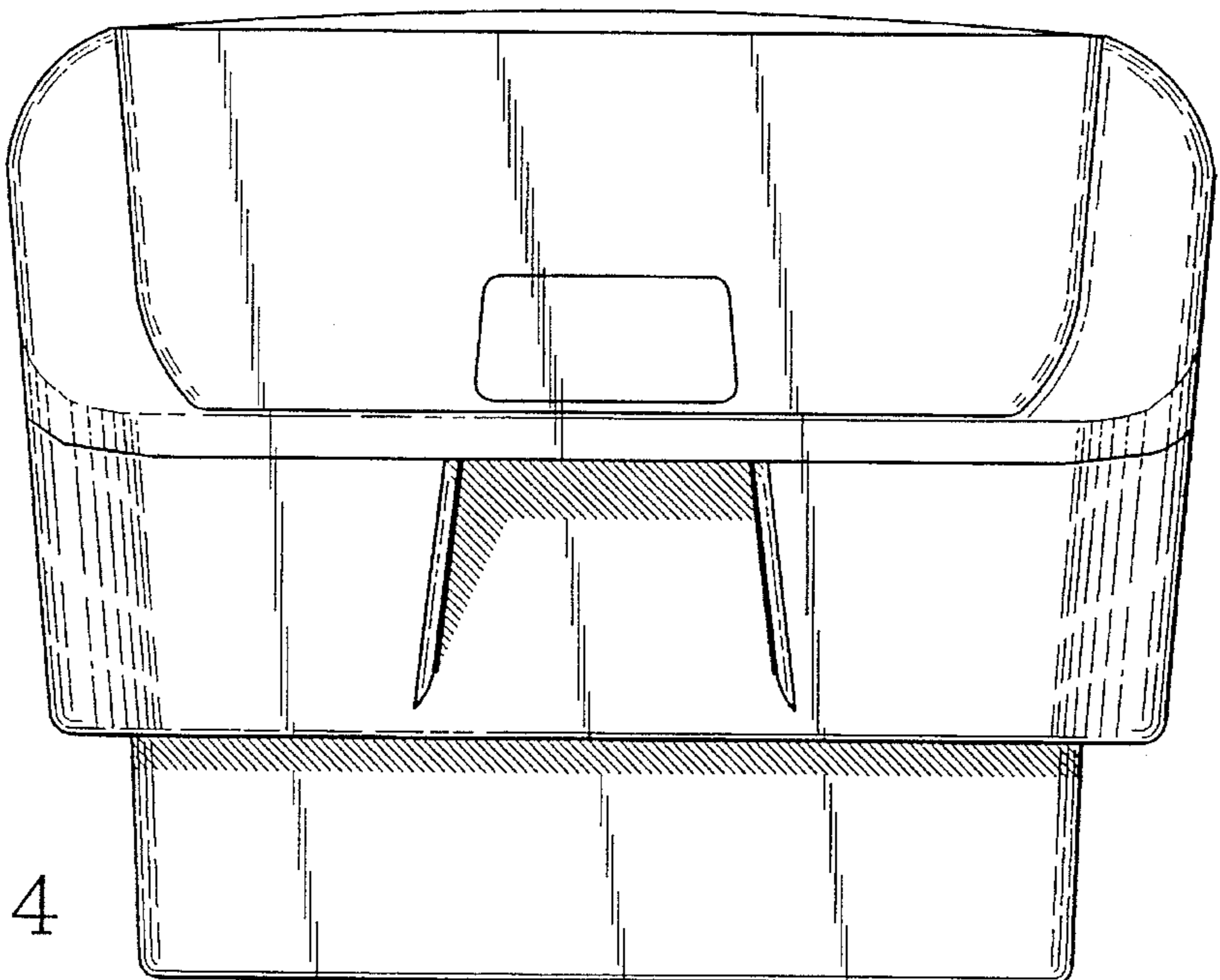


FIG. 4

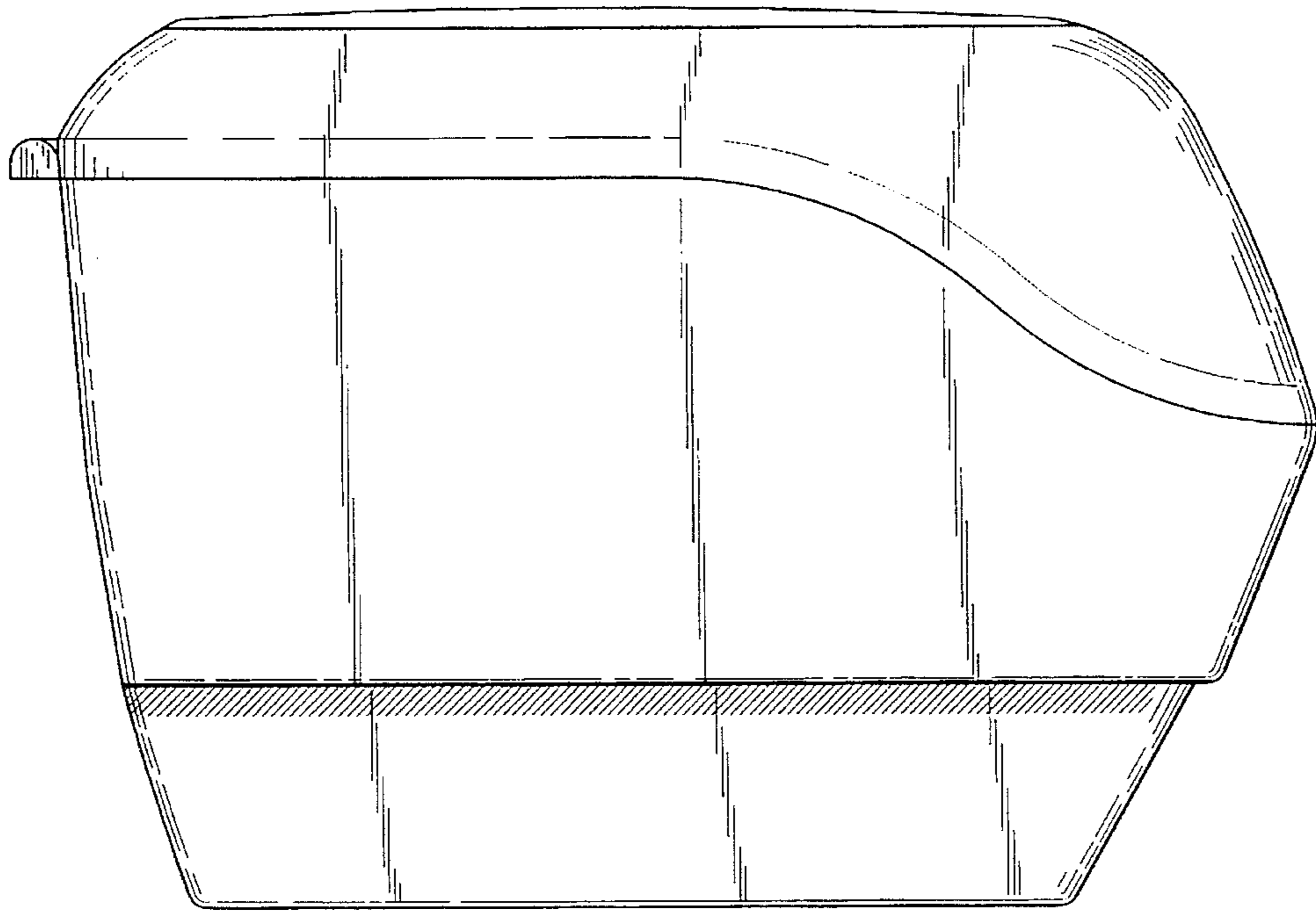


FIG. 6

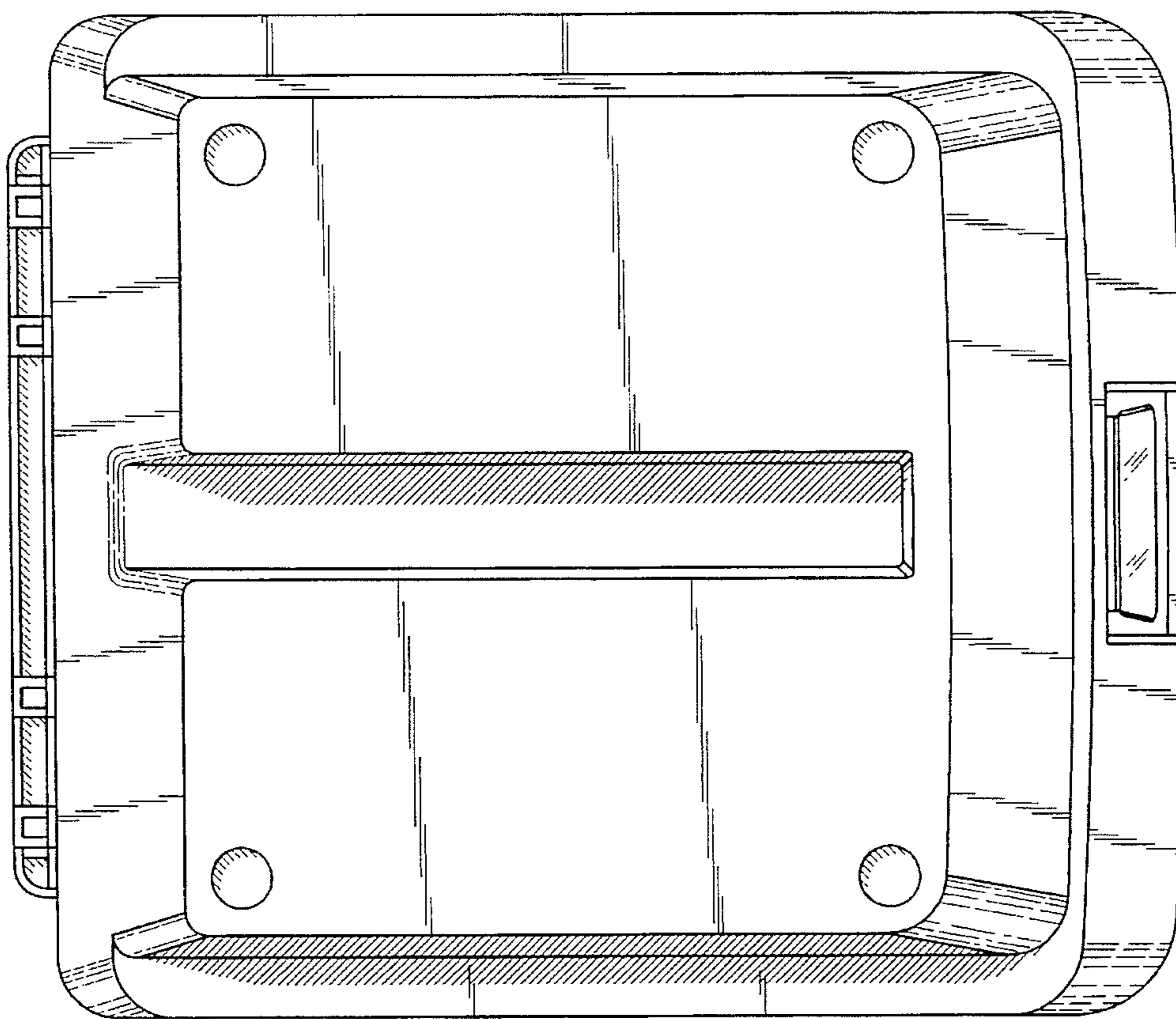


FIG. 7