



US00D378720S

United States Patent [19]

[11] **Patent Number: Des. 378,720**

Ebenreth

[45] **Date of Patent: **Apr. 8, 1997**

[54] **VIDEO CASSETTE HOLDER**

[76] Inventor: **Ralph A. Ebenreth**, 48 Clark Rd.,
Ajax, Ontario, Canada, L1S 2G2

[**] Term: **14 Years**

[21] Appl. No.: **38,474**

[22] Filed: **May 4, 1995**

[52] U.S. Cl. **D6/632**; D6/634; D6/635;
D6/407

[58] **Field of Search** D6/626-635; D19/75,
D19/76, 26; D14/114; 206/387.1, 387.15,
311, 312, 307, 307.1, 308.1, 308.3, 309,
387.13; D3/249; D9/432, 304, 306; 206/387.13

[56] **References Cited**

U.S. PATENT DOCUMENTS

D. 229,585	12/1973	Singleton	D6/634
D. 261,482	10/1981	Haubert	D6/634
D. 265,524	7/1982	Basili et al.	D6/634
D. 271,063	10/1983	Compton	D6/634
D. 316,181	4/1991	Clifton	D6/634
D. 356,120	3/1995	Allen	D3/249
3,253,770	5/1966	Black	D9/432

Primary Examiner—Louis S. Zarfaz
Assistant Examiner—Gregory Andoll
Attorney, Agent, or Firm—Bereskin & Parr

[57] **CLAIM**

The ornamental design for a video cassette holder, as shown.

DESCRIPTION

FIG. 1 is a top perspective view of a video cassette holder in accordance with the present design, the video cassette holder being shown in a closed configuration;

FIG. 2 is a bottom perspective view, taken from an opposing side, of the video cassette holder of FIG. 1;

FIG. 3 is a top perspective view of the video cassette holder of FIG. 1, the video cassette holder being shown in an open configuration;

FIG. 4 is an end view of the video cassette holder shown in FIG. 3;

FIG. 5 is a left-hand side view of the video cassette holder shown in FIG. 3;

FIG. 6 is a right-hand side view of the video cassette holder shown in FIG. 3;

FIG. 7 is a bottom view of the video cassette holder shown in FIG. 3;

FIG. 8 is a top view of the video cassette holder shown in FIG. 3;

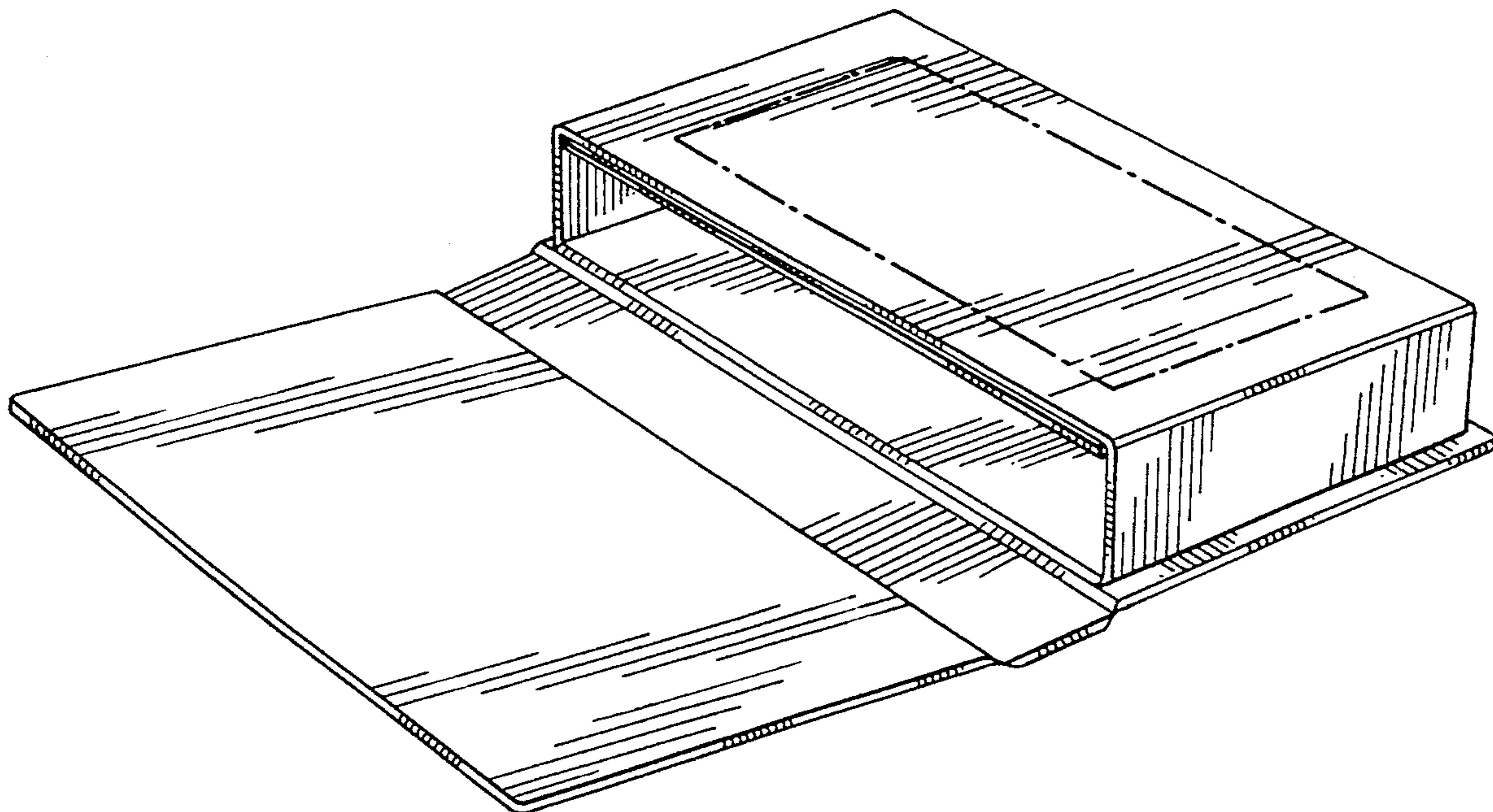
FIG. 9 is a partial top view of another embodiment of the video cassette holder shown in FIG. 3, showing an oval window defined in the top face, the embodiment being otherwise identical to the design shown in FIGS. 1 and 8;

FIG. 10 is a partial top view of another embodiment of the video cassette holder shown in FIG. 3, showing a heart-shaped window defined in the top face, the embodiment being otherwise identical to the design shown in FIGS. 1 to 8; and,

FIG. 11 is a partial top view of another embodiment of the video cassette holder shown in FIG. 3, showing a generally rectangular window defined in the top face, the embodiment being otherwise identical to the design shown in FIGS. 1 to 8.

The dotted lines showing of a window defined in a top face of the video cassette holder in FIG. 3 and 8 is provided for environmental purposes only and forms no part of the claimed design.

1 Claim, 7 Drawing Sheets



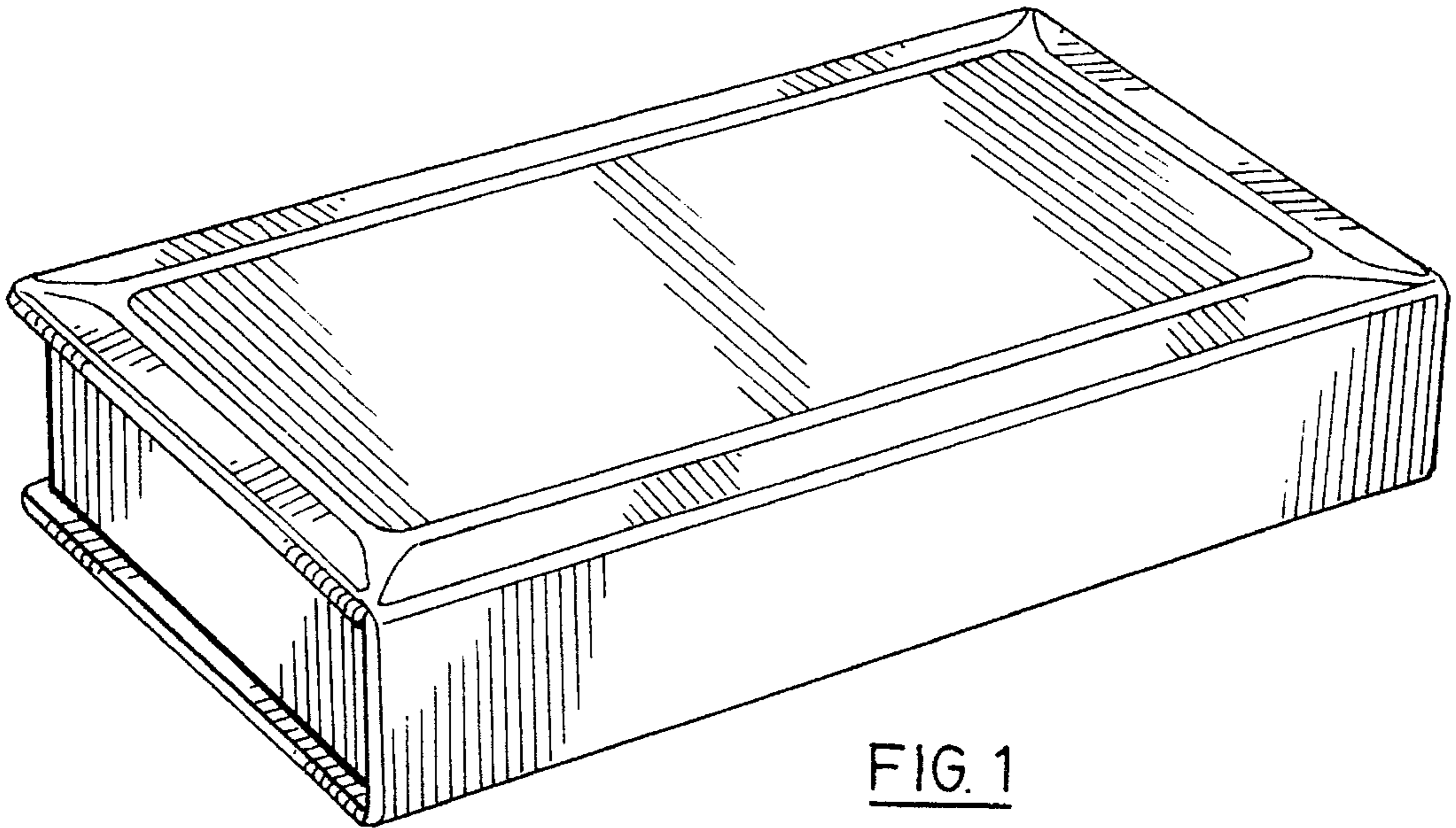


FIG. 1

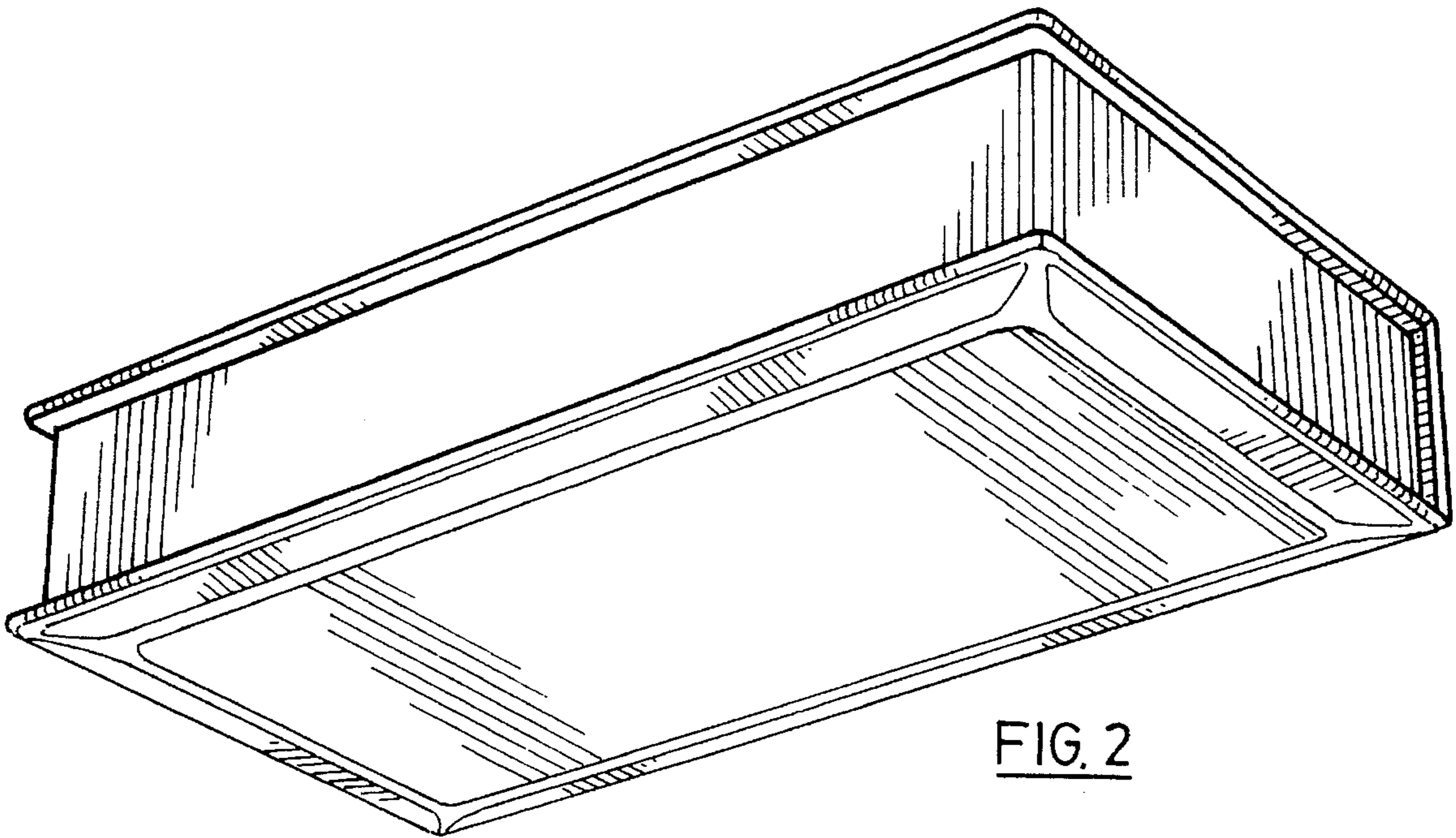


FIG. 2

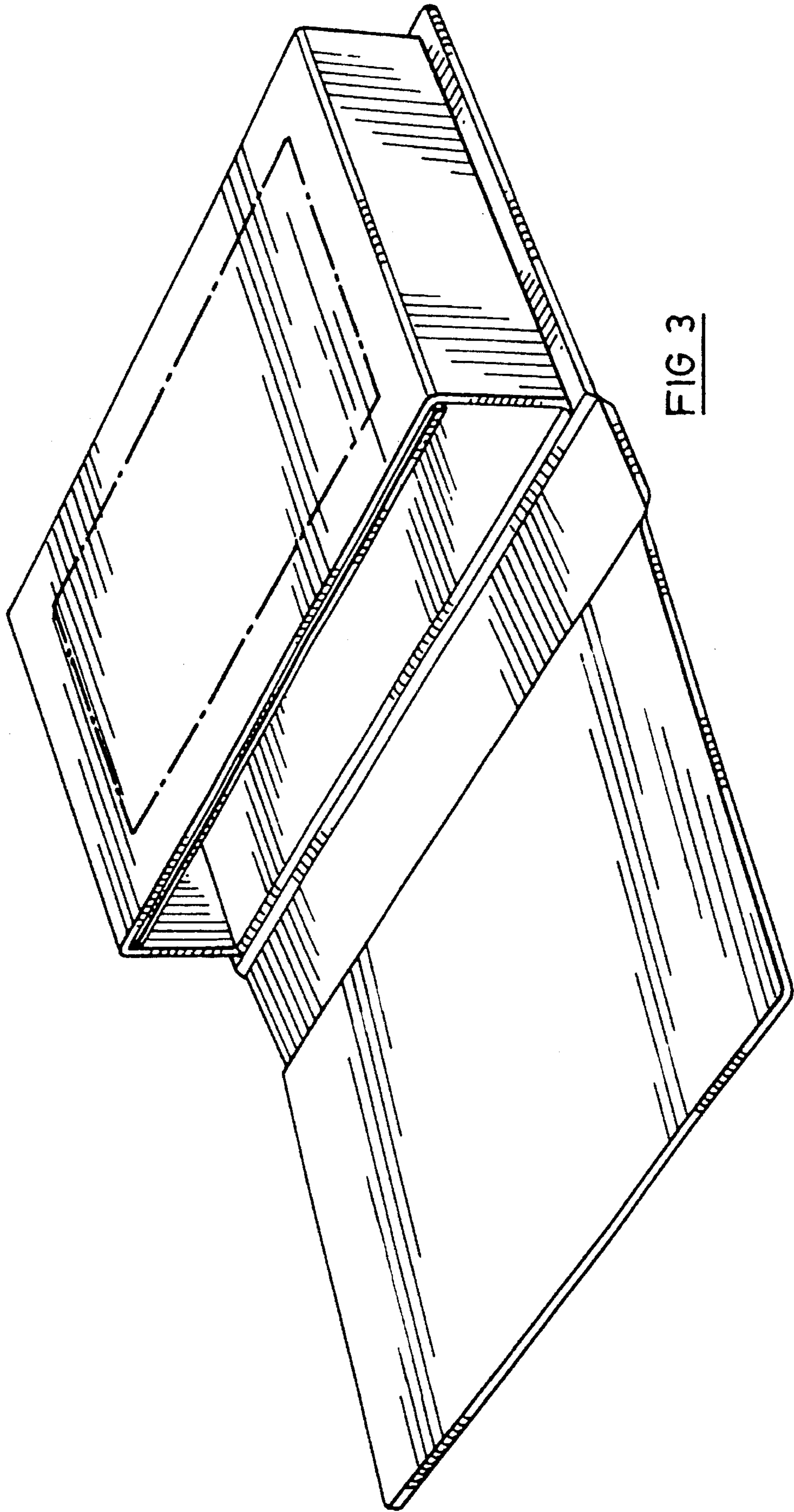


FIG 3

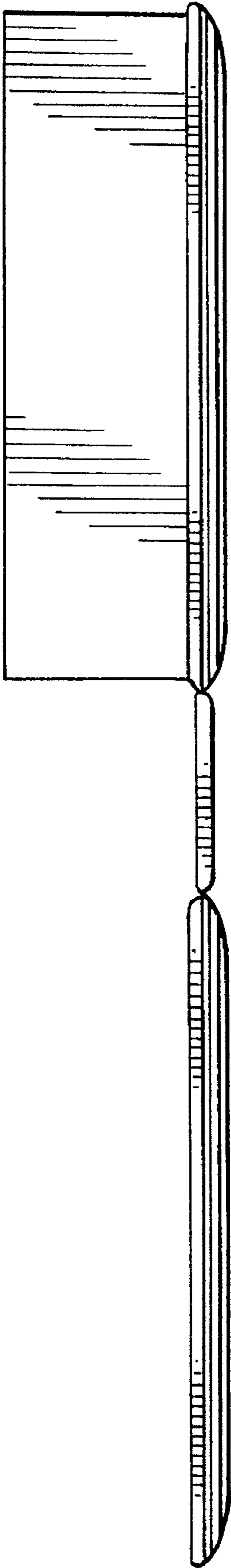


FIG. 4

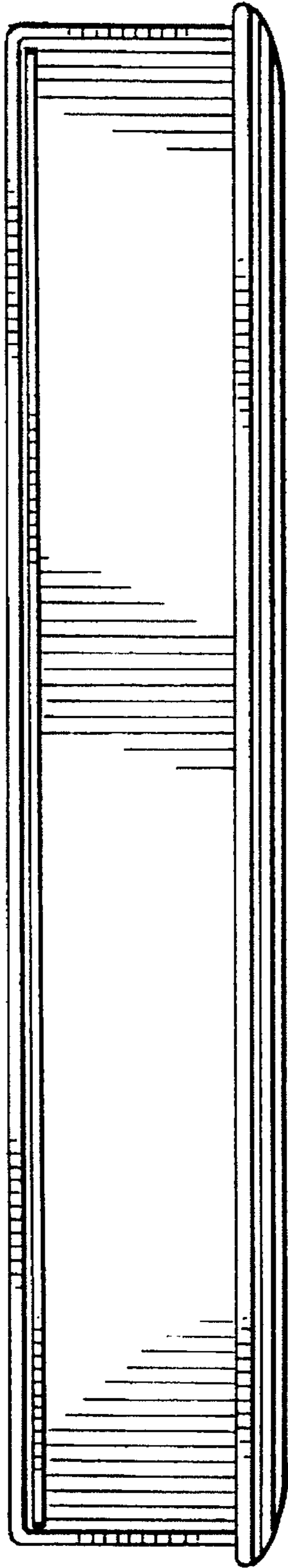


FIG. 5

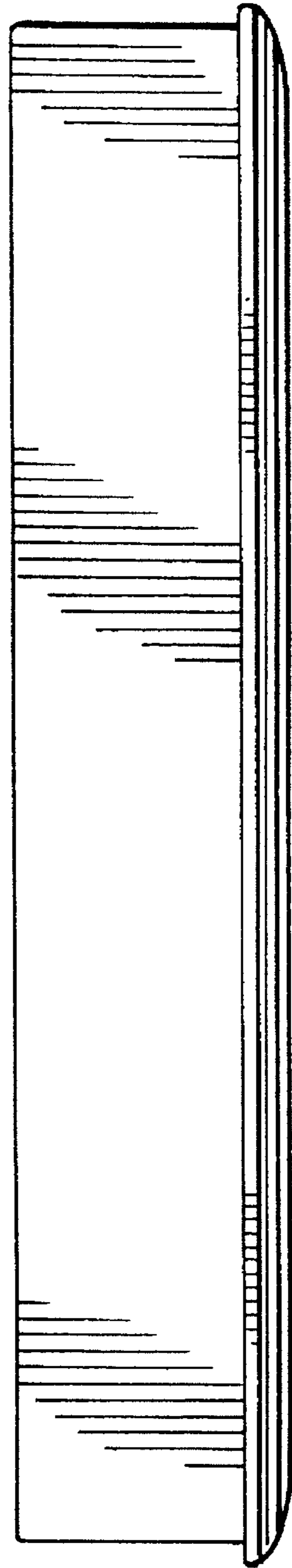


FIG. 6

FIG. 7

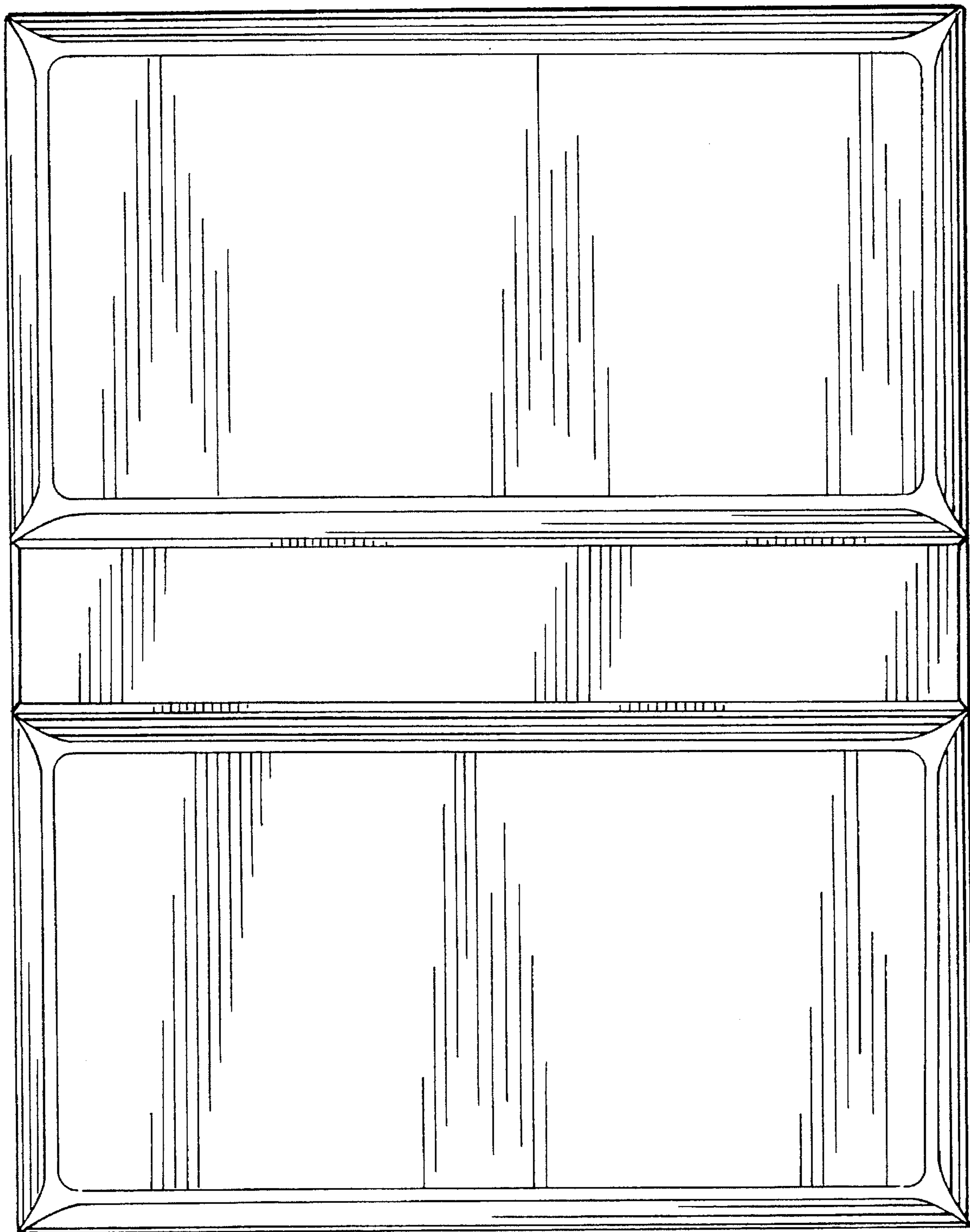


FIG. 8

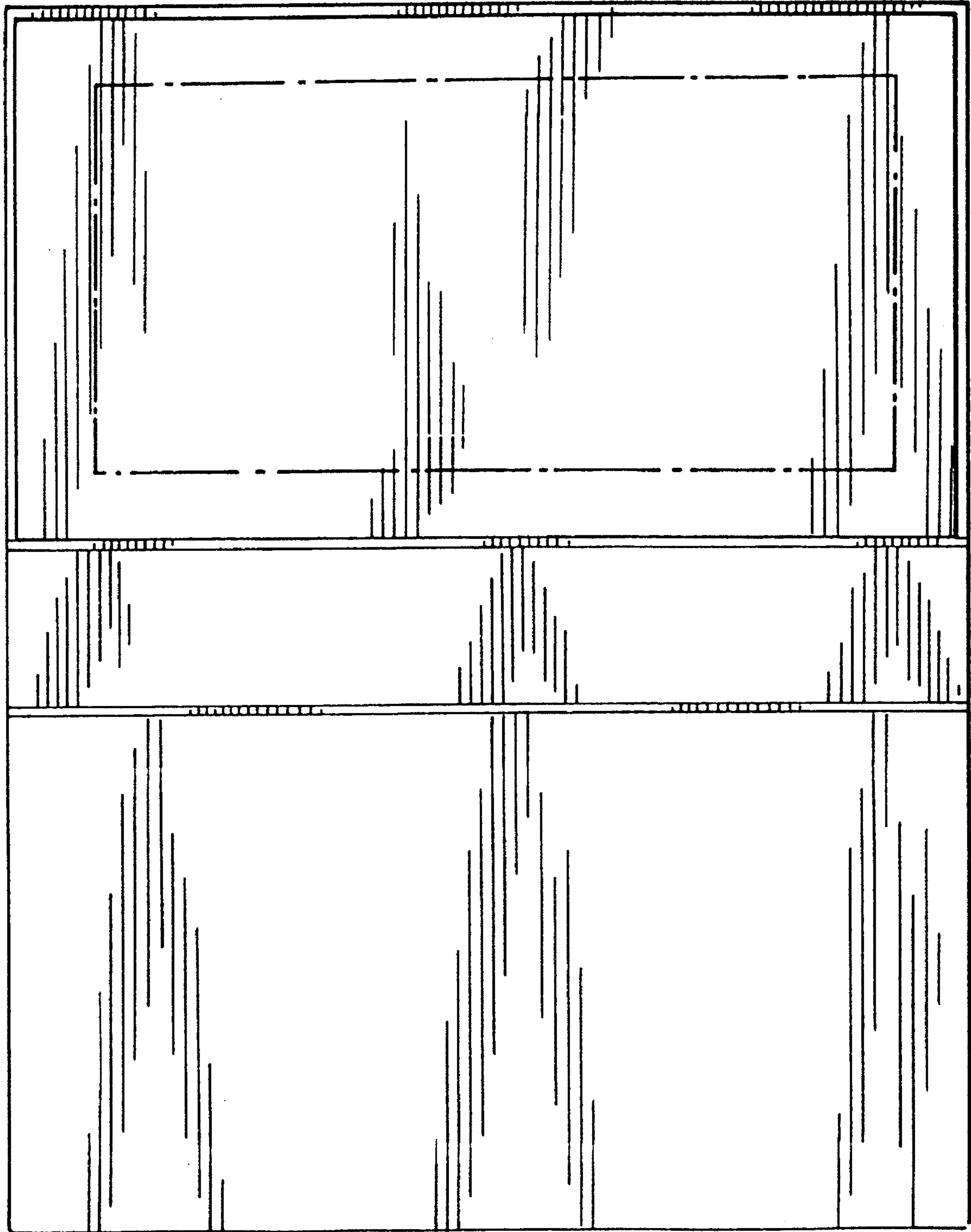


FIG.10

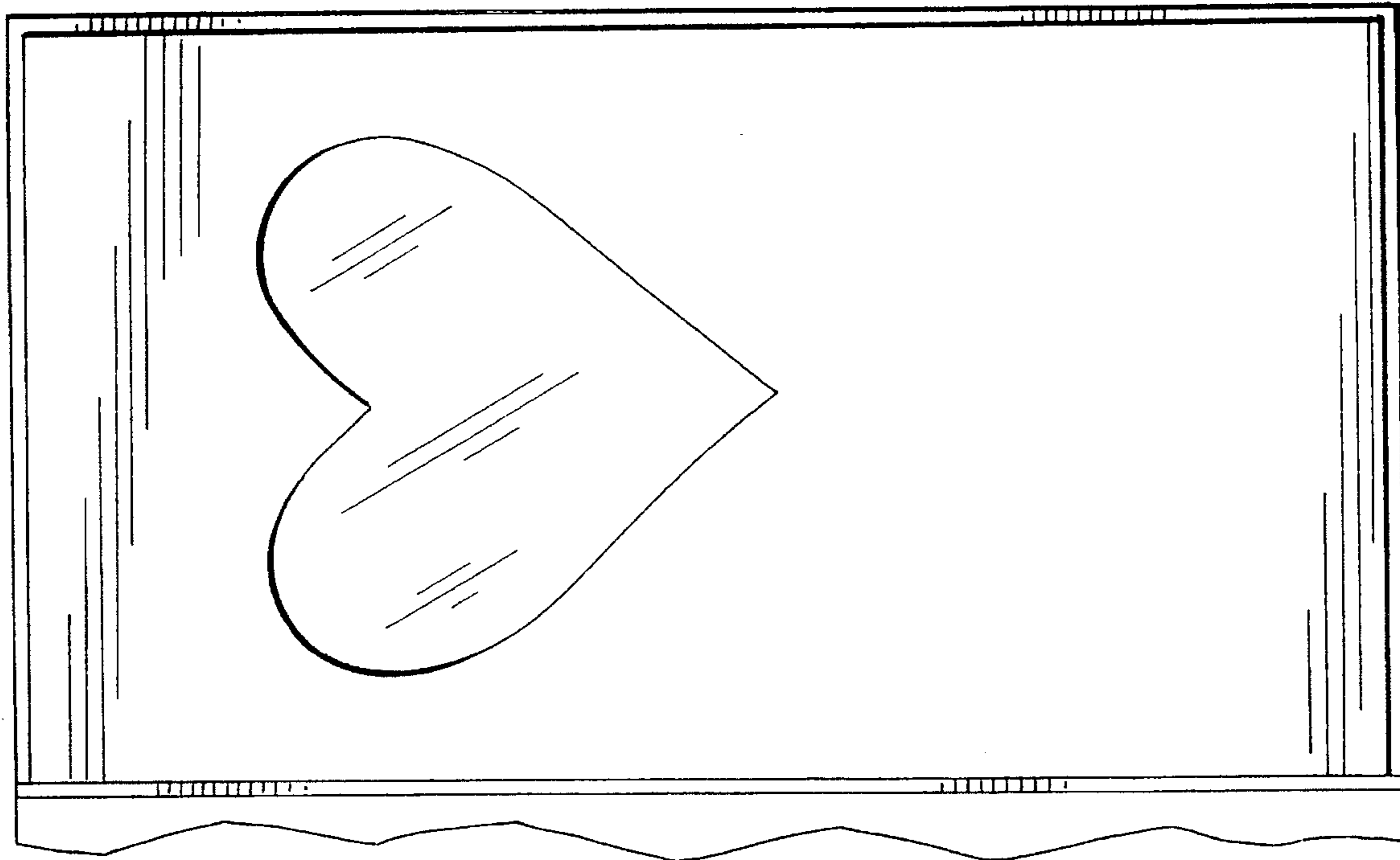
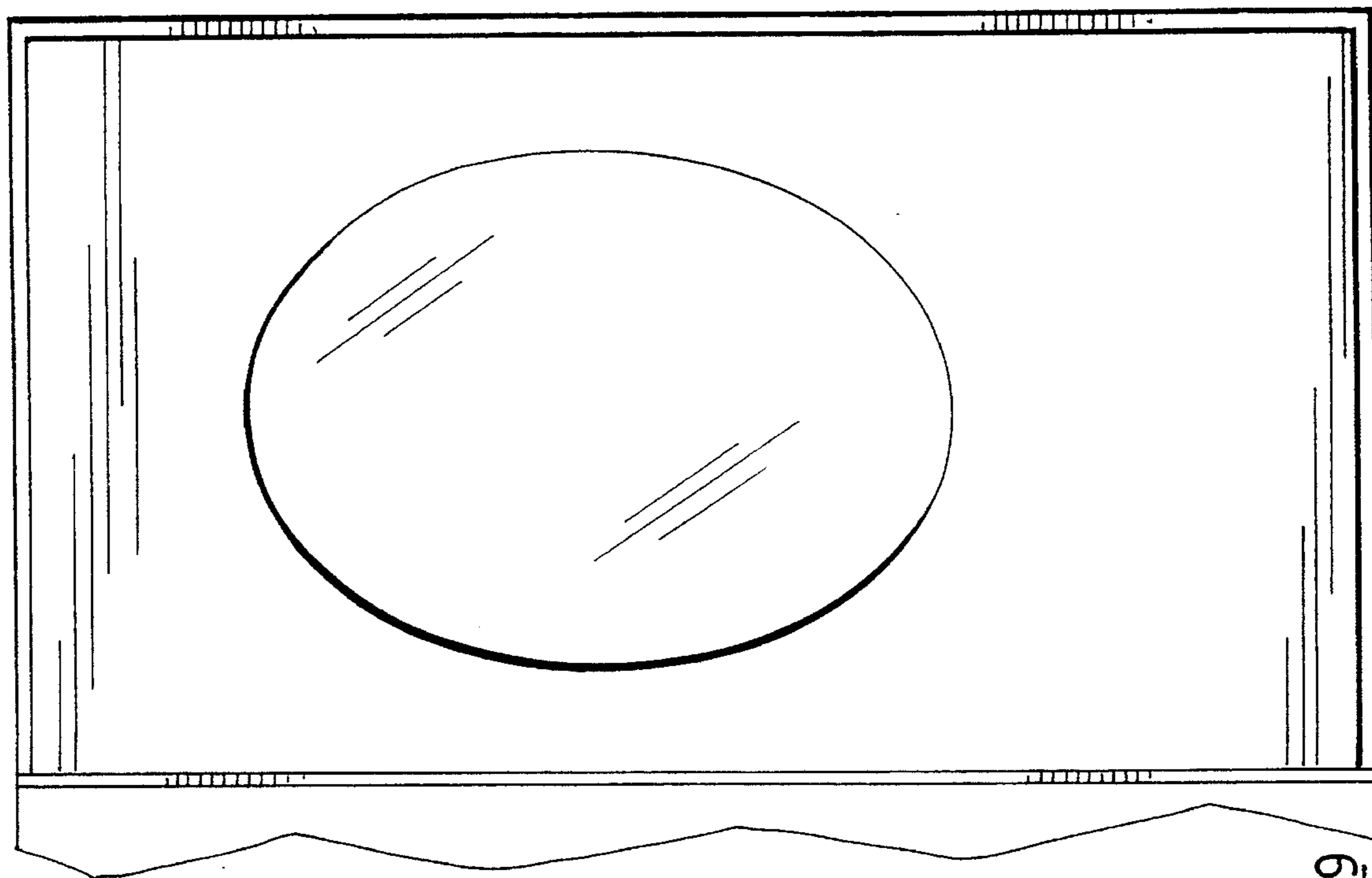


FIG.9



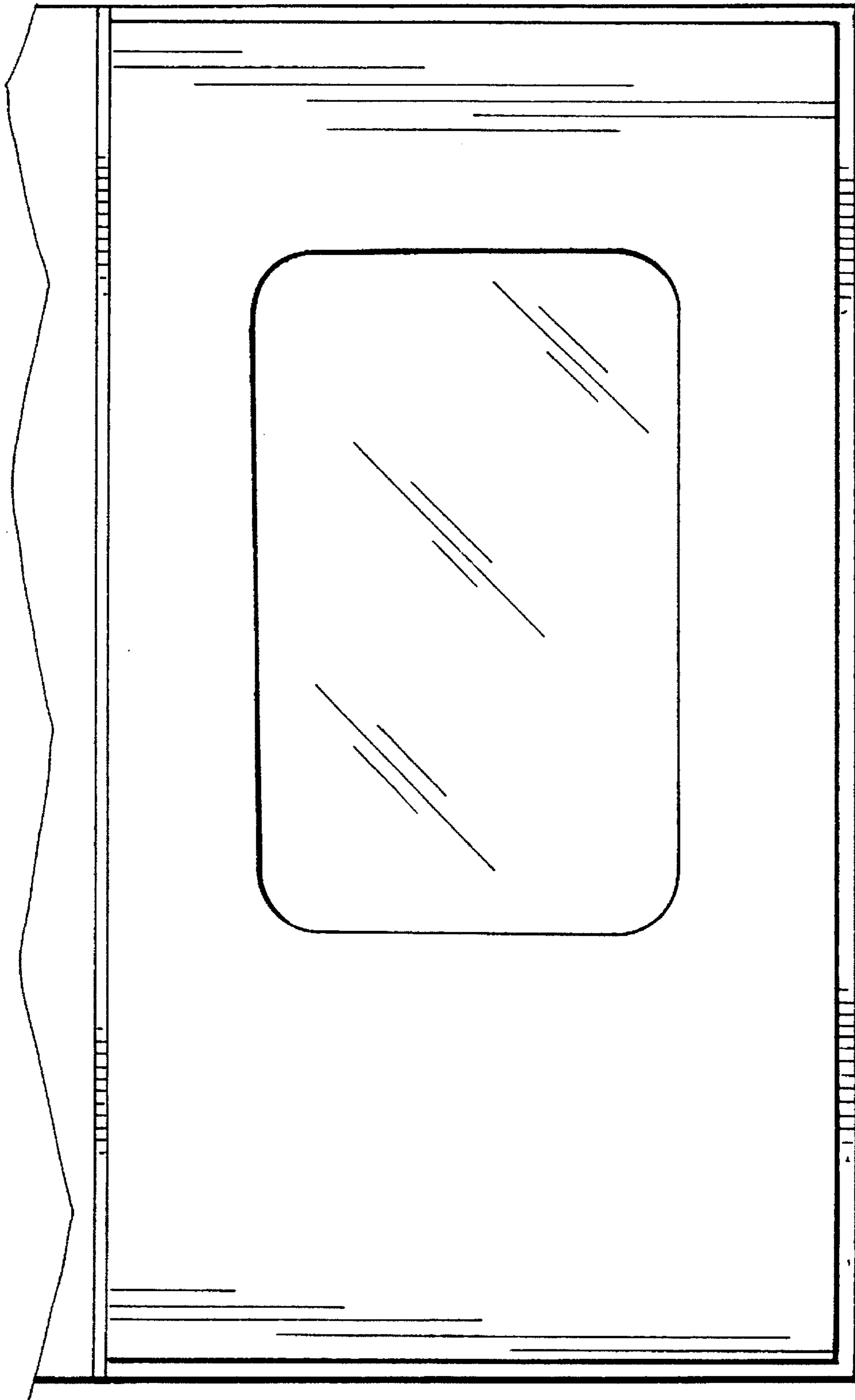


FIG.11