



US00D378718S

# United States Patent [19]

[11] **Patent Number: Des. 378,718**

**Daansen**

[45] **Date of Patent: \*\*Apr. 8, 1997**

[54] **PUMP TIP FOR A SOAP DISPENSER**

[76] Inventor: **Warren S. Daansen**, P.O. Box 614,  
Nashua, N.H. 03061

[\*\*] Term: **14 Years**

[21] Appl. No.: **46,751**

[22] Filed: **Nov. 2, 1995**

[52] U.S. Cl. .... **D6/542; D9/448**

[58] **Field of Search** ..... D6/550, 542-545;  
D9/434-436, 439-442, 447-450, 453-454,  
499, 503, 338, 300; 215/211, 216, 232;  
222/180-183.1, 189, 325, 320, 321, 460,  
525, 541, 567, 566, 570, 571, 575; D7/669,  
398; D8/14.1; D23/259, 262; D19/55, 51;  
D24/137

D. 316,208	4/1991	Griffiths et al.	.....	D7/398
D. 326,581	6/1992	Hanna et al.	.....	D6/545
D. 335,256	5/1993	Slavin et al.	.....	D9/338
D. 337,259	7/1993	Curtis et al.	.....	D9/300
D. 366,833	2/1996	Daansen	.....	D9/447
D. 368,304	3/1996	Morrison	.....	D23/262
D. 370,813	6/1996	Daansen	.....	D6/542
D. 370,814	6/1996	Daansen	.....	D6/545
4,625,896	12/1986	Rocchelli	.....	222/180
4,905,873	3/1990	Loesel, Jr. et al.	.....	222/181
5,375,745	12/1994	Ritsche	.....	222/321

*Primary Examiner*—Jeffrey Asch  
*Attorney, Agent, or Firm*—Vernon C. Maine

[57] **CLAIM**

The ornamental design for a pump tip for a soap dispenser, as shown and described.

**DESCRIPTION**

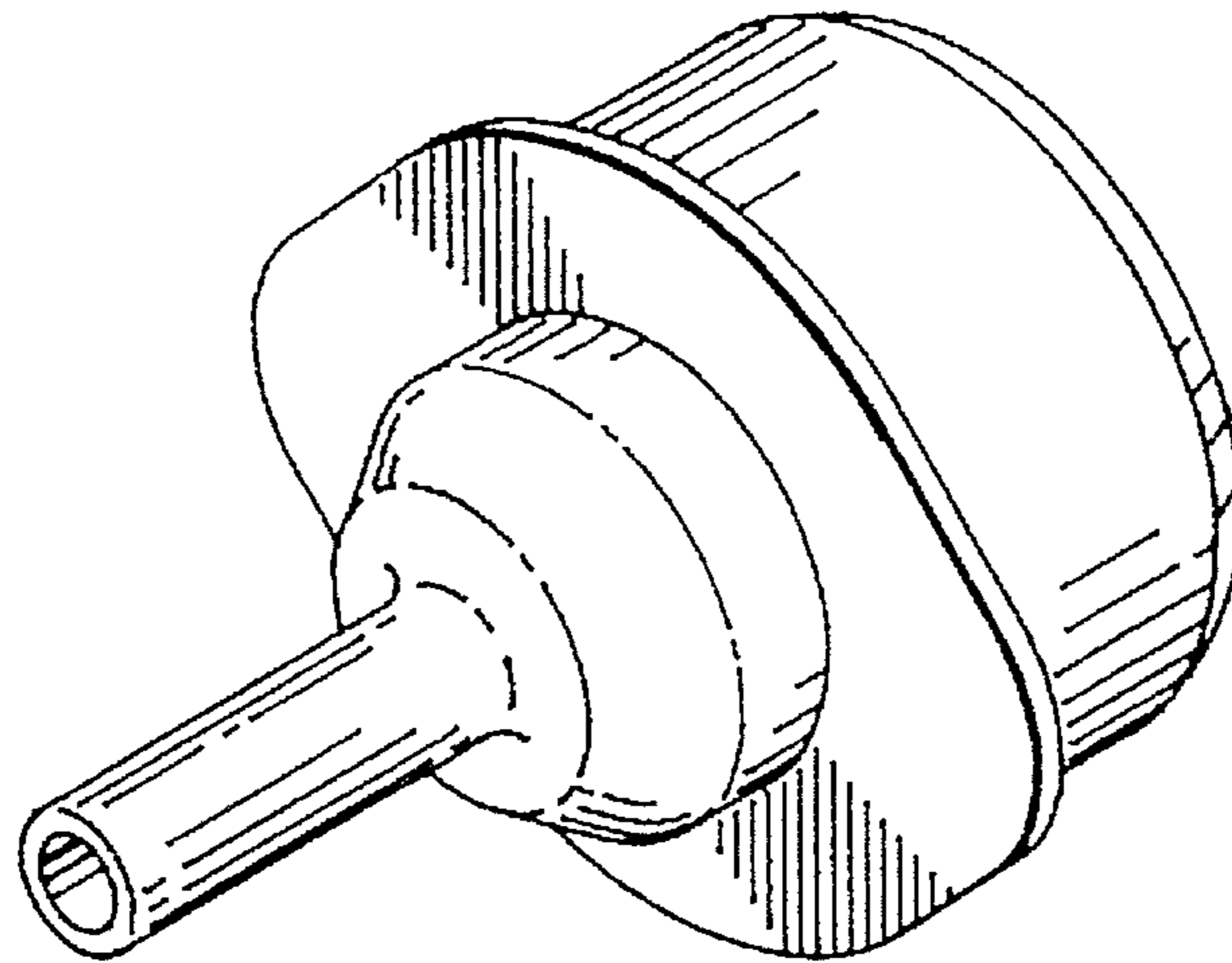
FIG. 1 is a perspective view of the pump tip for a soap dispenser showing my new design;  
FIG. 2 is a top view thereof;  
FIG. 3 is a side elevation thereof;  
FIG. 4 is a front elevation thereof, the broken line depiction of a pump hose being for illustrative purposes only and forming no part of the claimed design; and,  
FIG. 5 is a bottom view thereof.

**1 Claim, 1 Drawing Sheet**

[56] **References Cited**

**U.S. PATENT DOCUMENTS**

D. 180,573	7/1957	Beall, Jr.	.....	D9/447
D. 181,600	12/1957	Nilsson	.....	D8/14.1
D. 223,197	3/1972	Findlay	.....	D6/545
D. 230,959	3/1974	Sambanidis	.....	D9/442
D. 264,938	6/1982	Stock	.....	D9/503 X
D. 277,583	2/1985	Kono	.....	D23/262 X
D. 280,167	8/1985	Keck	.....	D6/545
D. 287,501	12/1986	Davis	.....	D23/259 X



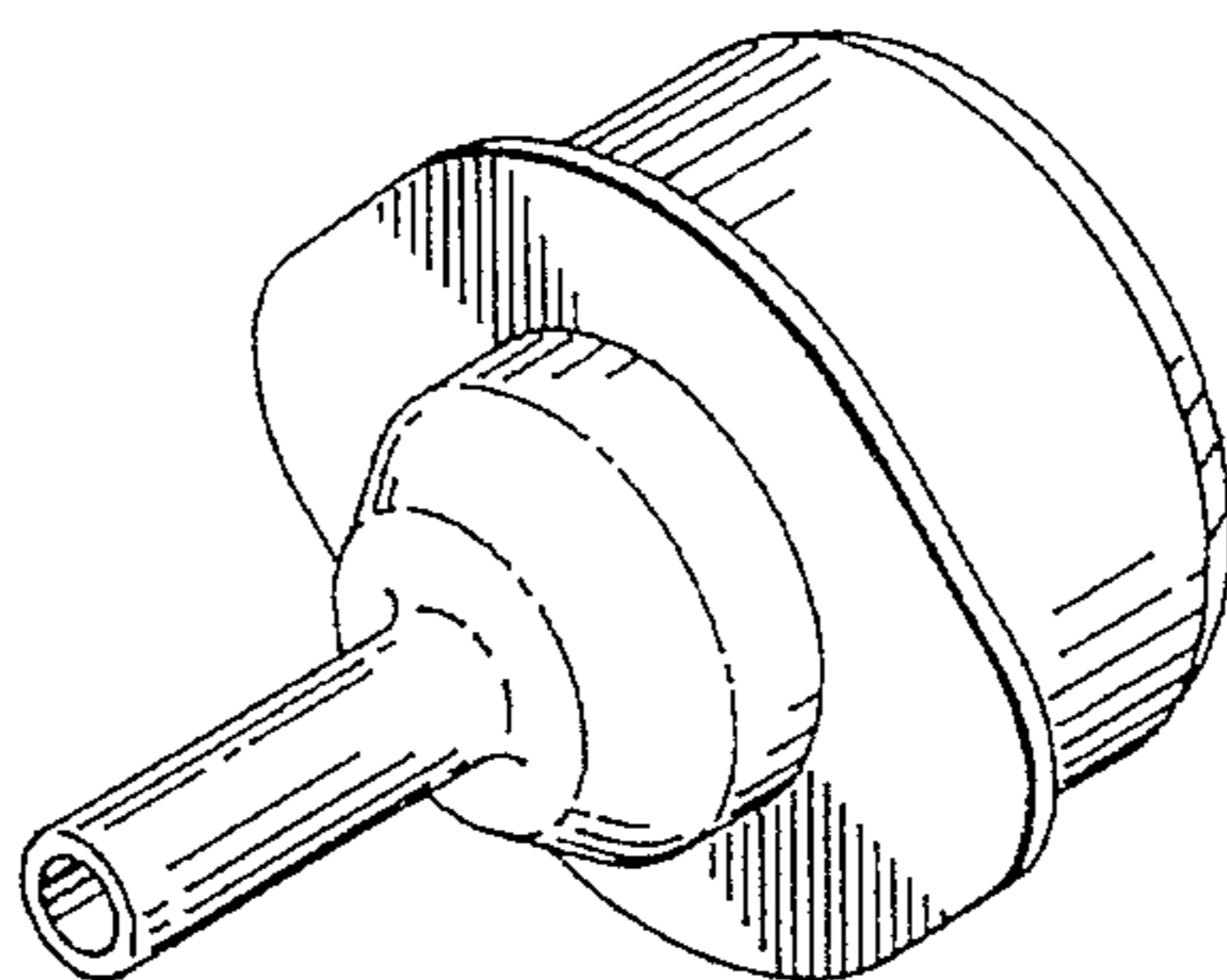


FIG. 1

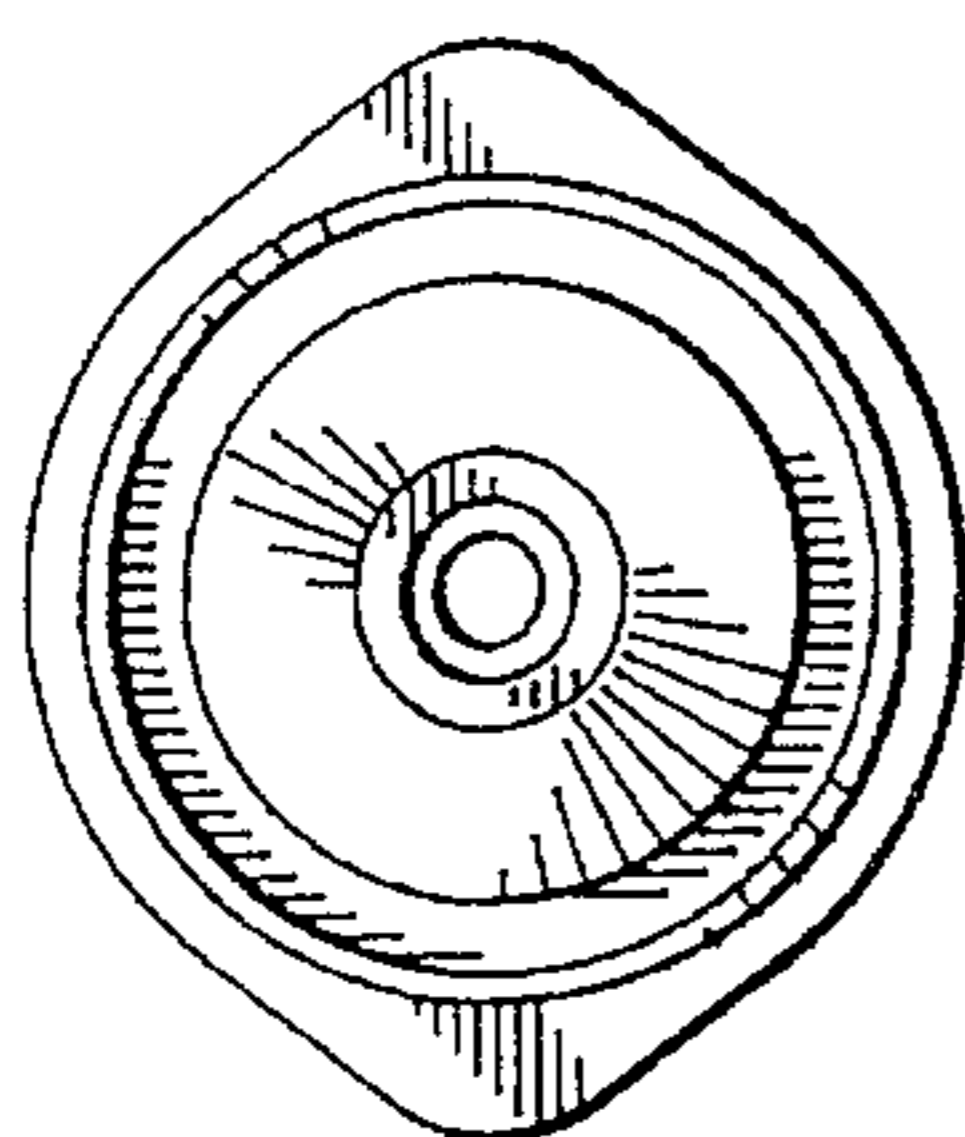


FIG. 2

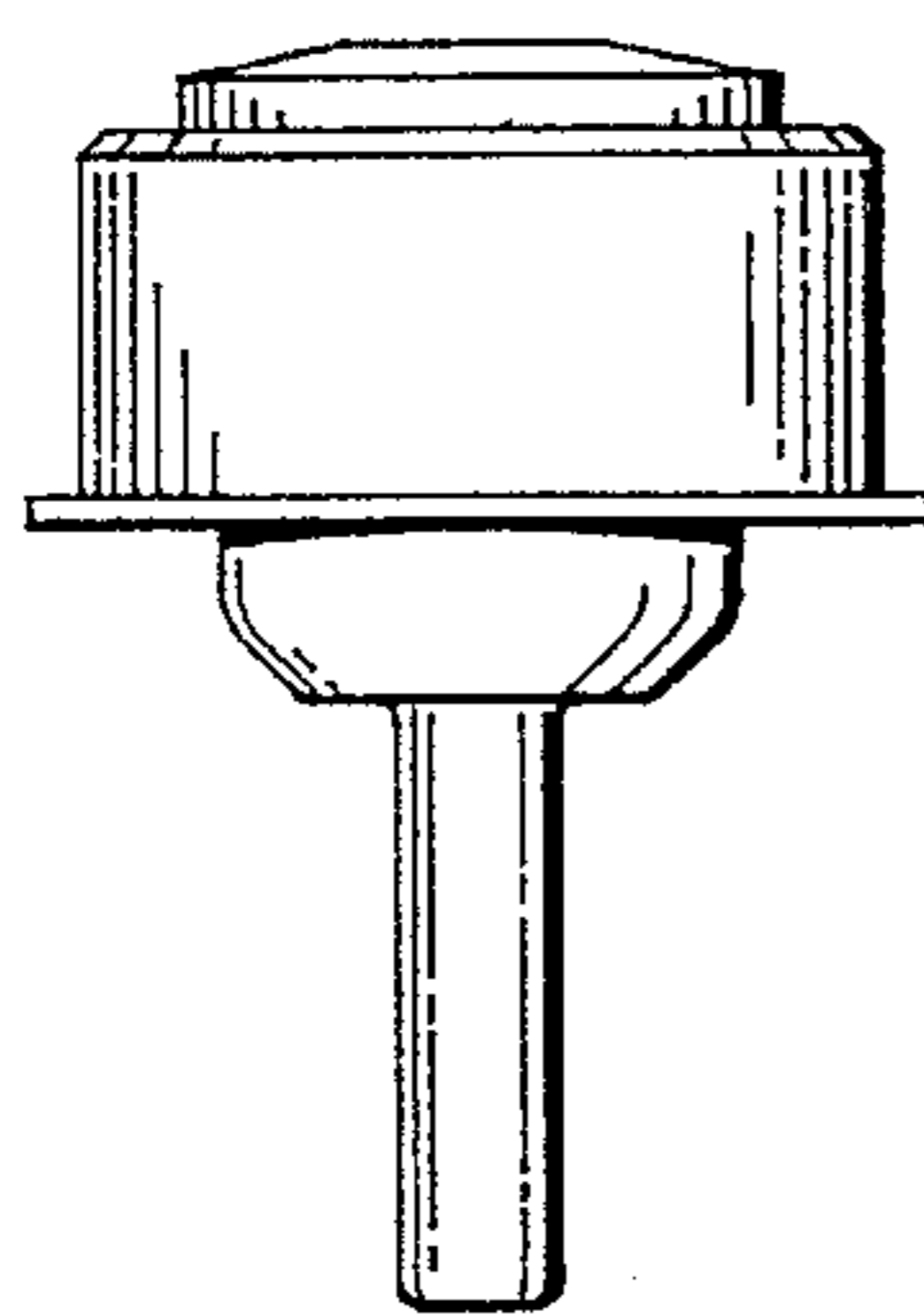


FIG. 3

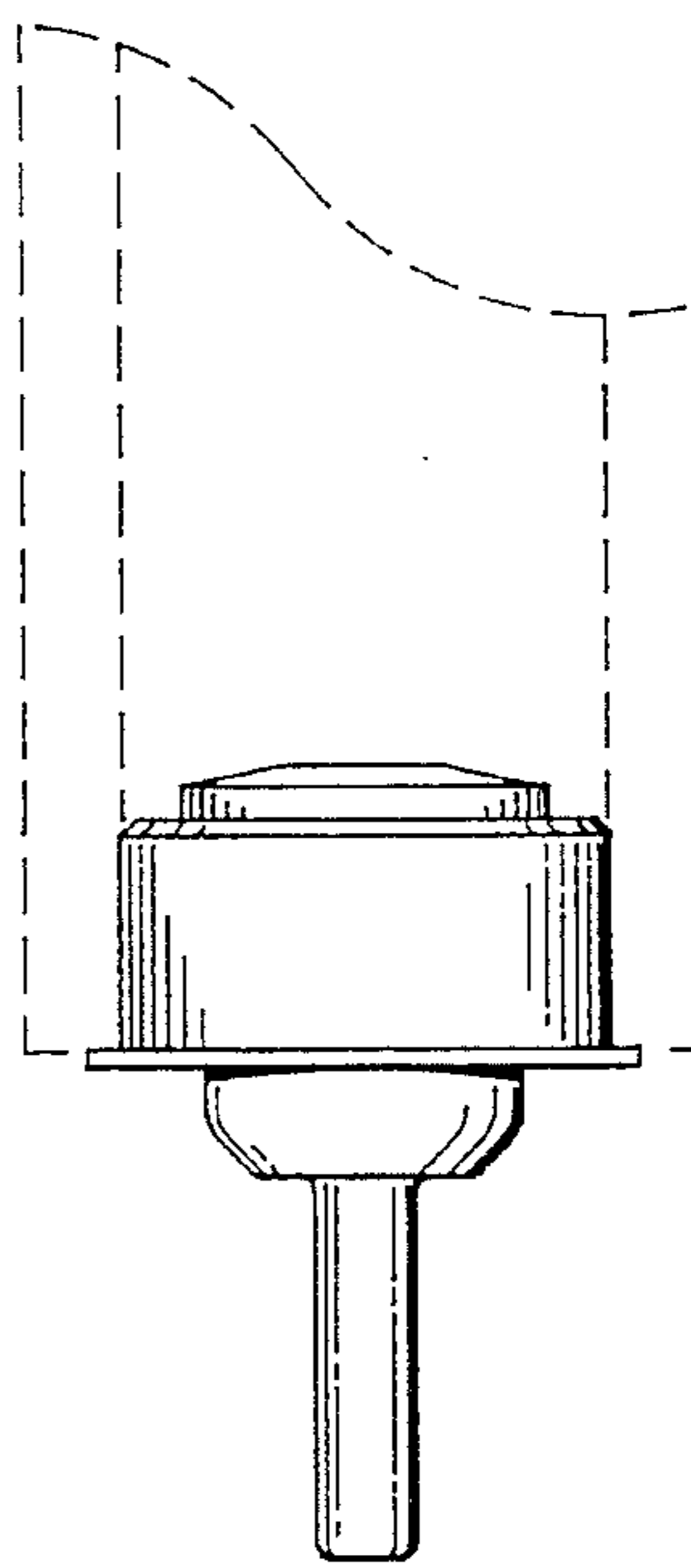


FIG. 4

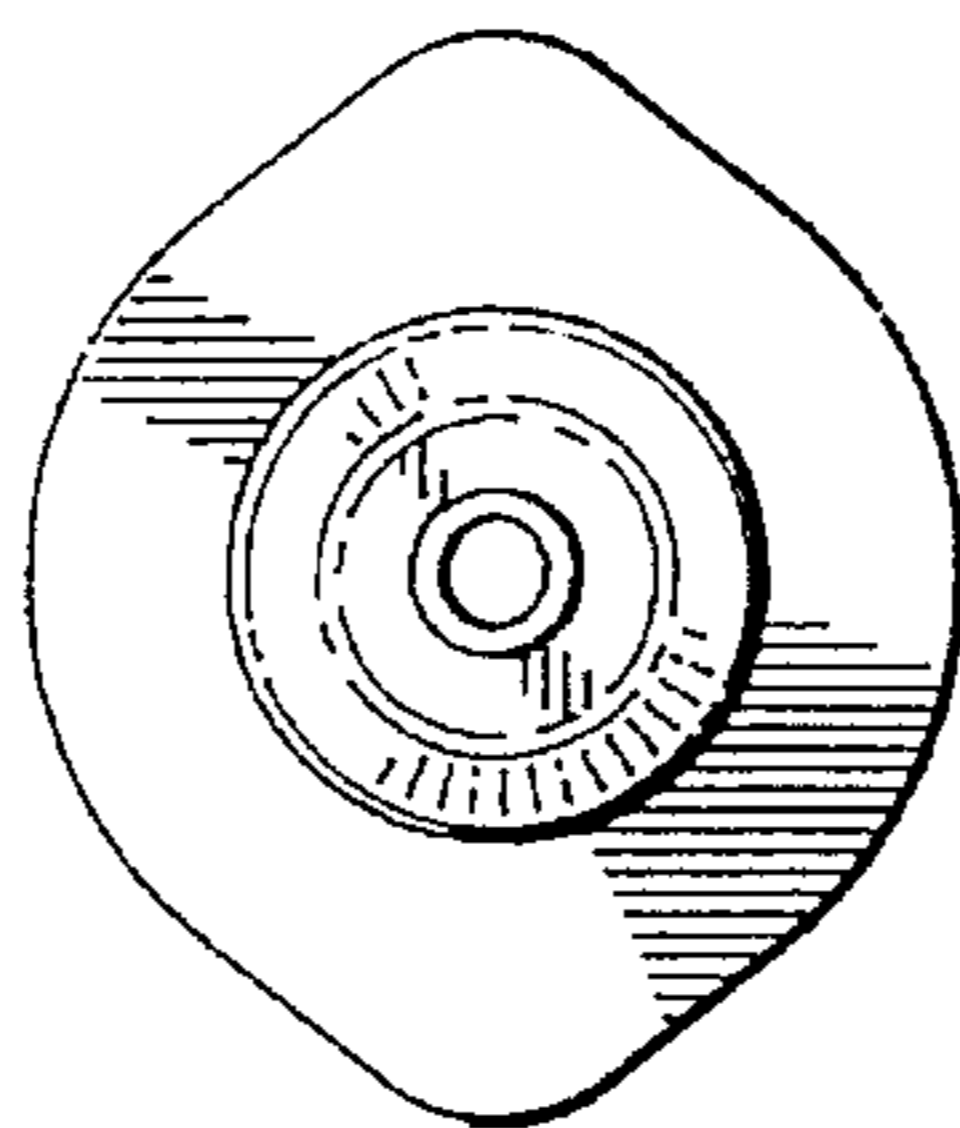


FIG. 5