



US00D378715S

United States Patent [19]

Dewitt

[11] Patent Number: **Des. 378,715**

[45] Date of Patent: ****Apr. 8, 1997**

[54] **CHECK STAND COUNTER**

[75] Inventor: **Wayne Dewitt**, Jacksonville, Fla.

[73] Assignee: **Load King Manufacturing Co., Inc.**, Jacksonville, Fla.

[**] Term: **14 Years**

[21] Appl. No.: **49,955**

[22] Filed: **Feb. 5, 1996**

[52] U.S. Cl. **D6/402**

[58] Field of Search D6/396, 397, 402;
312/140.1; 186/59-68

[56] **References Cited**

U.S. PATENT DOCUMENTS

D. 183,026	6/1958	Slikkers	D6/402
D. 183,447	9/1958	Crawford	D6/402
D. 193,079	6/1962	Hittinger	D6/402
D. 221,362	8/1971	Henderson	D6/402
D. 221,364	8/1971	Henderson	D6/402
D. 241,997	10/1976	Fenwick	D6/402
D. 264,654	6/1982	Langen et al.	D6/402

D. 289,113	4/1987	Woolf	D6/402
3,960,420	6/1976	Speraw et al.	312/140.1
4,138,000	2/1979	Hartup	D6/402 X

Primary Examiner—Carmen H. Vales-Lado
Attorney, Agent, or Firm—Thomas C. Saitta

[57] **CLAIM**

The ornamental design for a check stand counter, as shown and described.

DESCRIPTION

FIG. 1 is a perspective view of a check stand counter showing my new design;
FIG. 2 is a top plan view thereof;
FIG. 3 is a front elevational view thereof;
FIG. 4 is a rear elevational view thereof;
FIG. 5 is a left side elevational view thereof;
FIG. 6 is a right side elevational view thereof; and,
FIG. 7 is a bottom plan view thereof.
The broken lines shown throughout the views illustrate environmental structure and form no part of the claimed design.

1 Claim, 3 Drawing Sheets

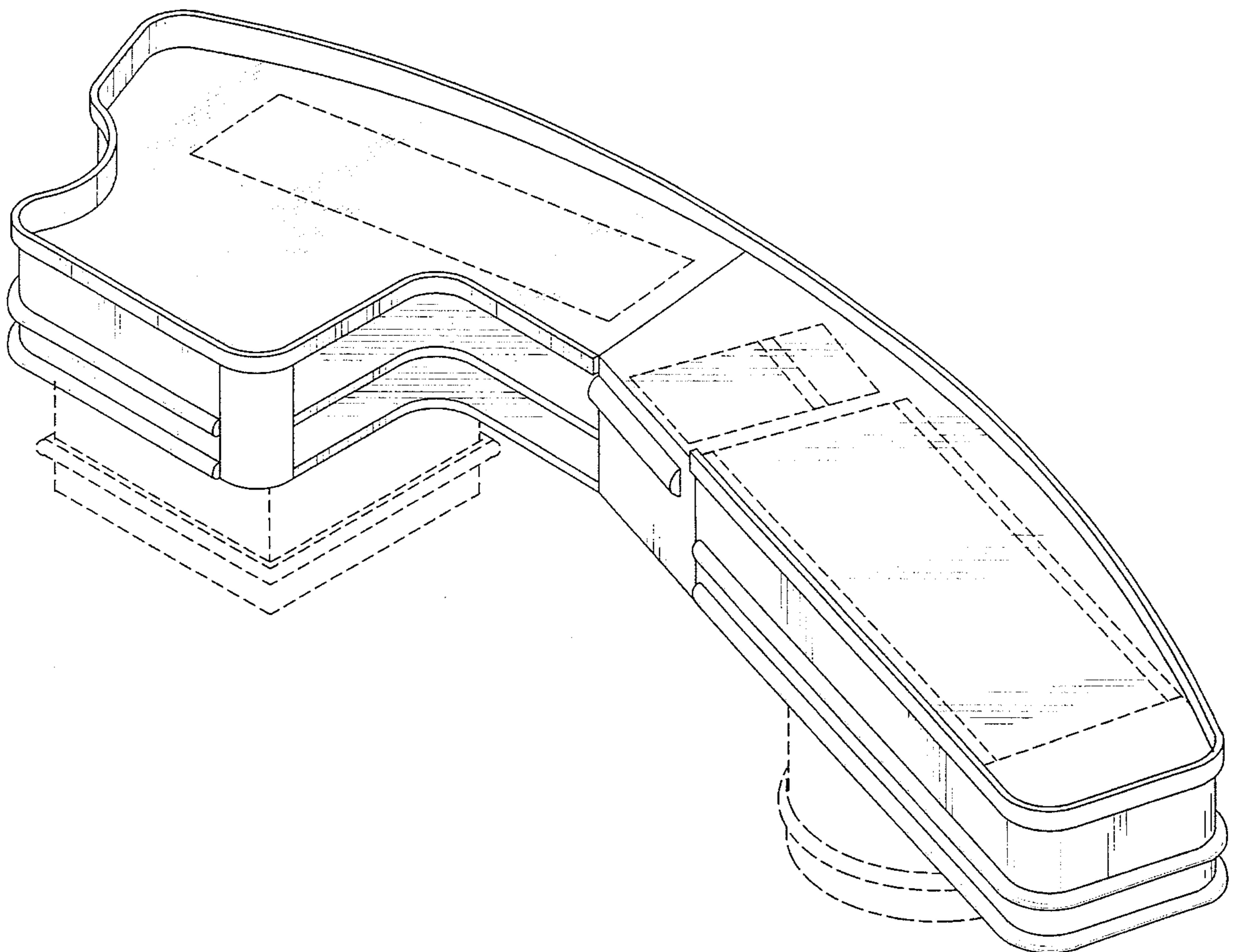


FIG. 1

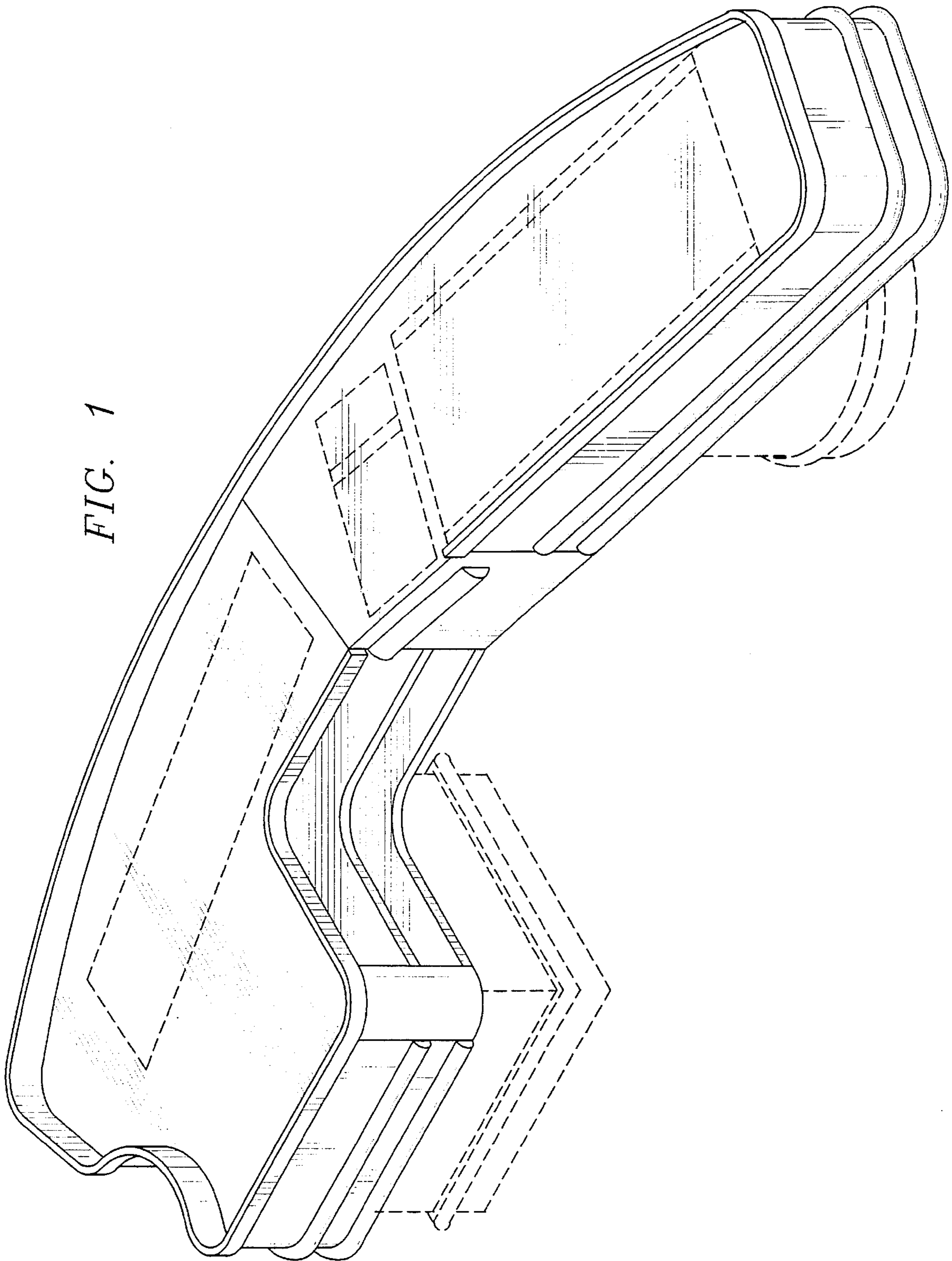


FIG. 2

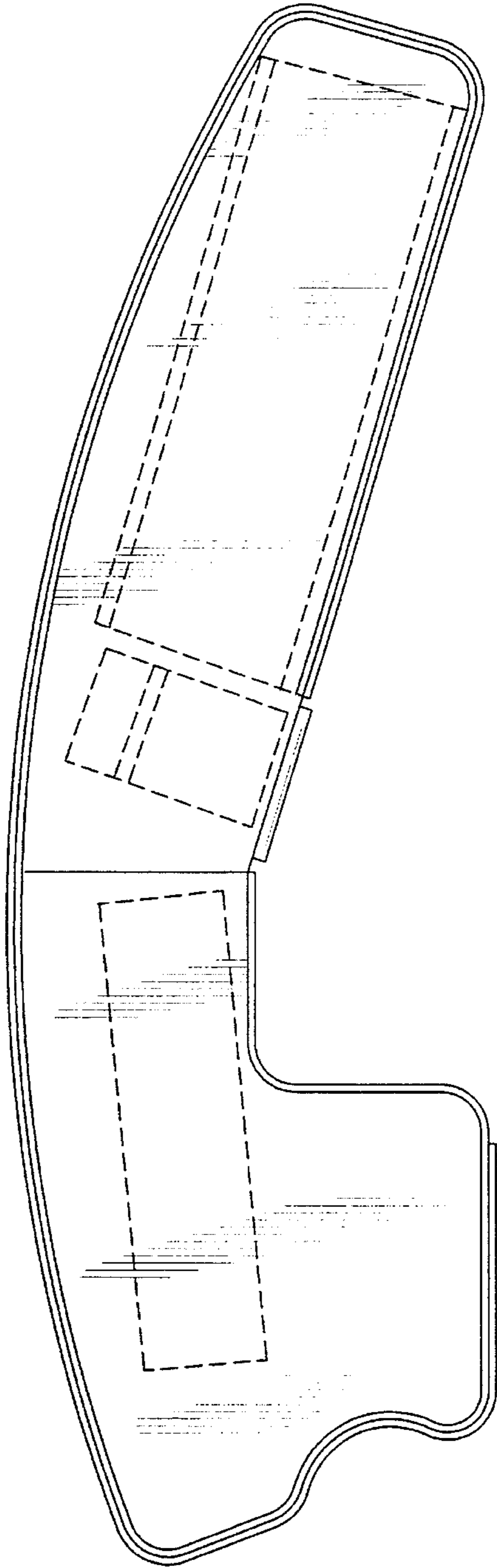


FIG. 3

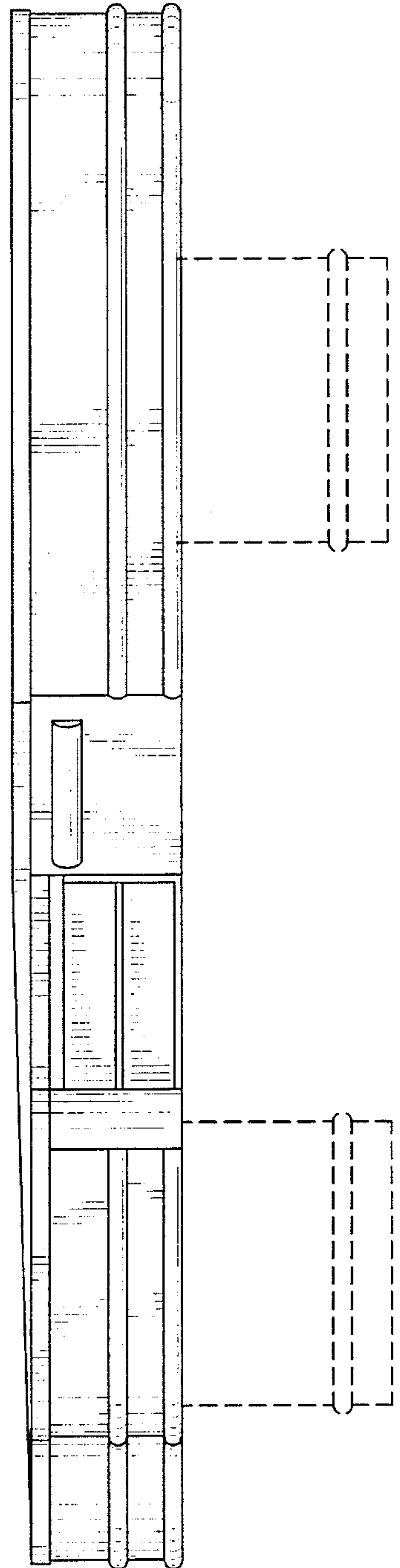


FIG. 4

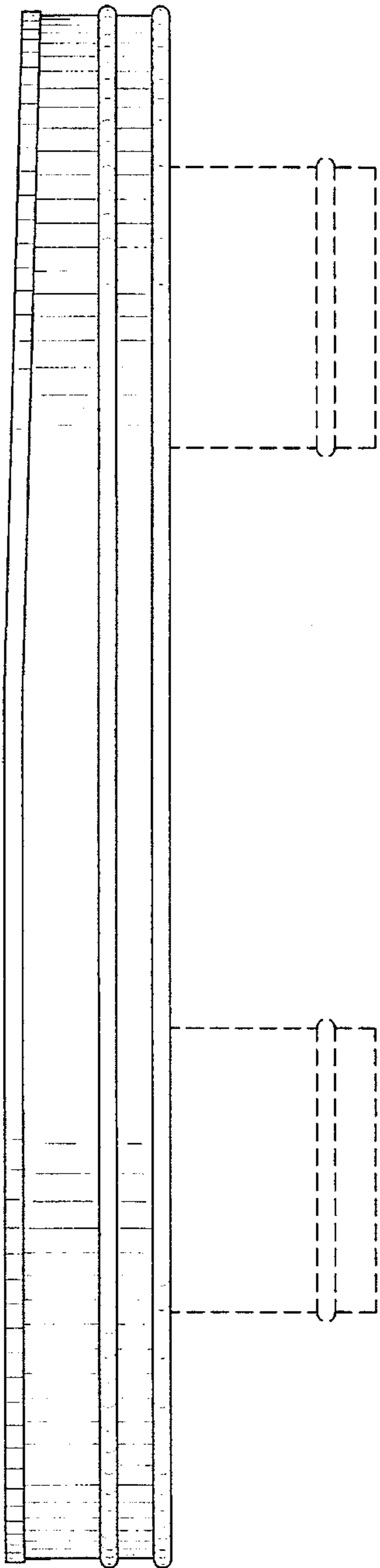


FIG. 6

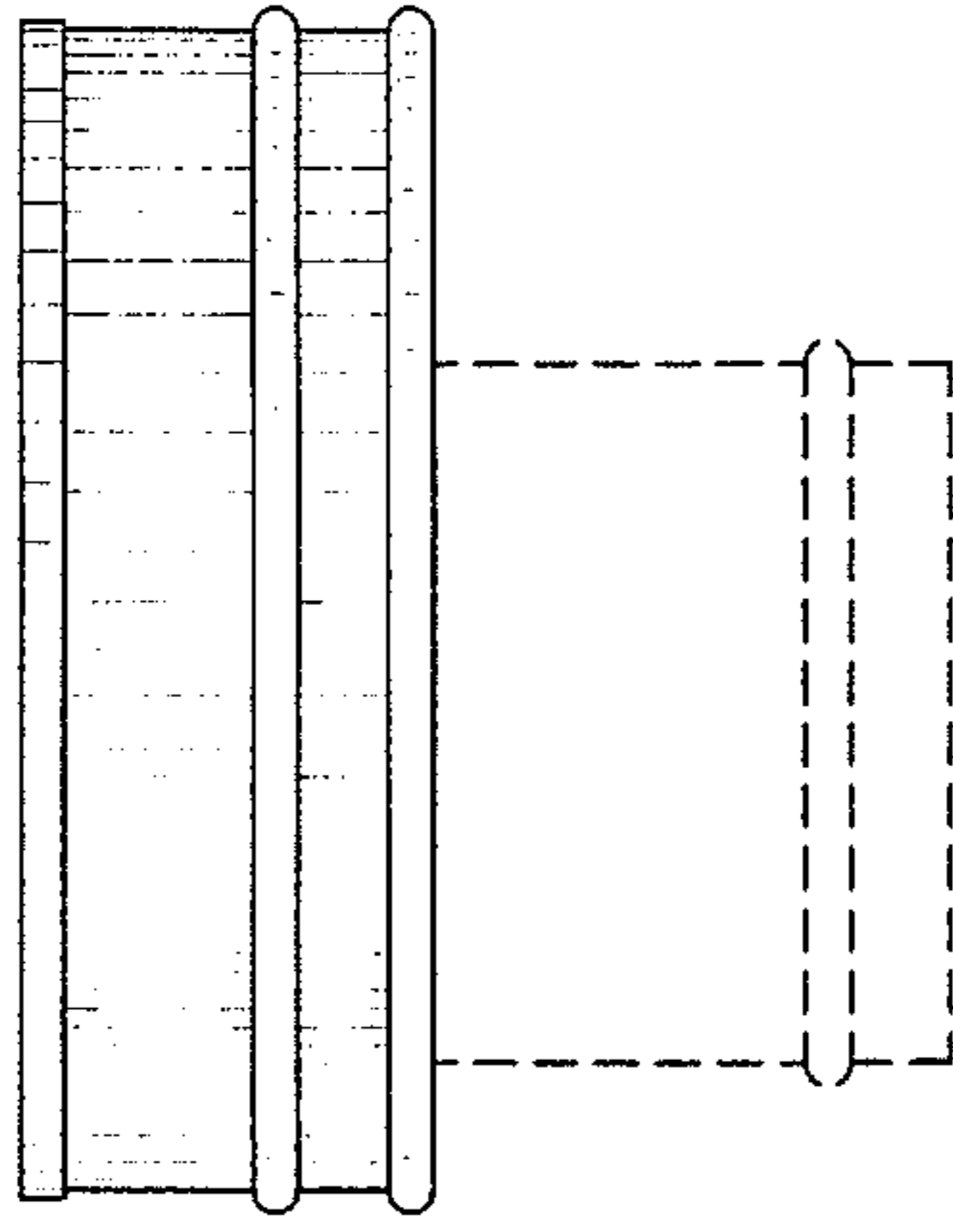


FIG. 5

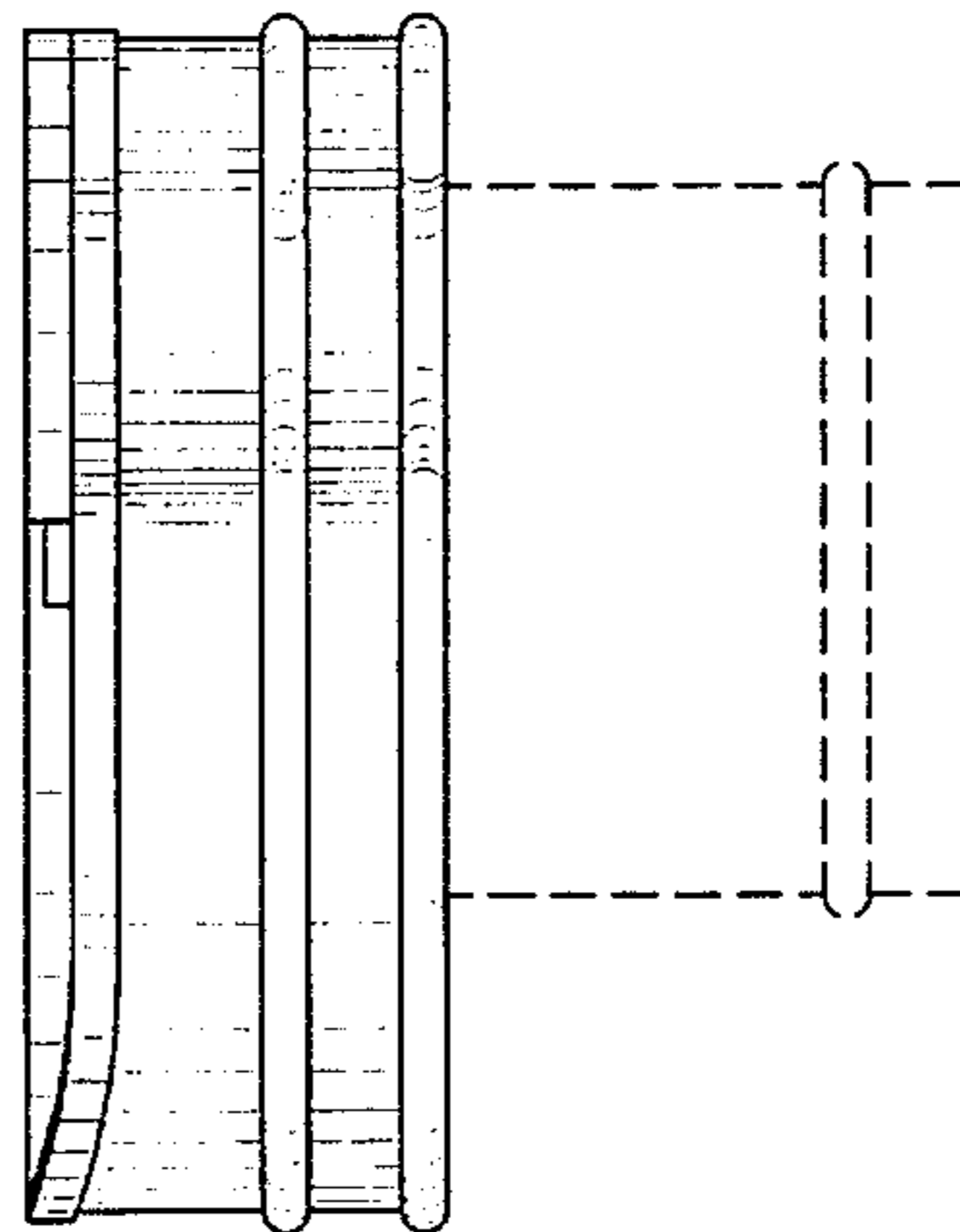


FIG. 7

