



US00D378708S

# United States Patent [19]

Hughes et al.

[11] Patent Number: **Des. 378,708**

[45] Date of Patent: **\*\*Apr. 8, 1997**

[54] **GUN SUPPORT**

4,971,208 11/1990 Reinfried, Jr. et al. .... 42/94 X  
5,233,779 8/1993 Shaw ..... 42/94

[75] Inventors: **Jeffrey T. Hughes; Christopher R. Rogers**, both of Winston-Salem, N.C.

### OTHER PUBLICATIONS

[73] Assignee: **Hughes Products Company, Inc.**, Thomasville, N.C.

Page from American Rifleman magazine with Portable Sandbag Rifle Rest article (one page)—undated Jan. 1977 p. 52.

[\*\*] Term: **14 Years**

*Primary Examiner*—Doris V. Coles  
*Assistant Examiner*—Catherine R. Oliver

[21] Appl. No.: **54,076**

### [57] CLAIM

[22] Filed: **May 6, 1996**

[52] U.S. Cl. .... **D3/221**; D22/108

The ornamental design for a gun support, as shown and described.

[58] Field of Search ..... D3/221, 262; D22/108, D22/109; 224/101, 149; 206/314, 317, 315.1; 42/94; 211/64

### DESCRIPTION

### [56] References Cited

#### U.S. PATENT DOCUMENTS

2,543,703	2/1951	Pelto .....	224/149
2,588,467	3/1952	Barney .....	224/149
2,948,449	8/1960	Aronson et al. ....	224/149
3,361,265	1/1968	Wernimont .....	42/94 X
3,473,673	10/1967	Porter .....	211/64
3,935,657	2/1975	Wade .....	42/94
4,449,314	5/1984	Sorensen .....	42/94
4,821,443	4/1989	Bianco .....	42/94

FIG. 1 is a right side elevational view of a gun support embodying our design; the left side being a mirror image thereof;

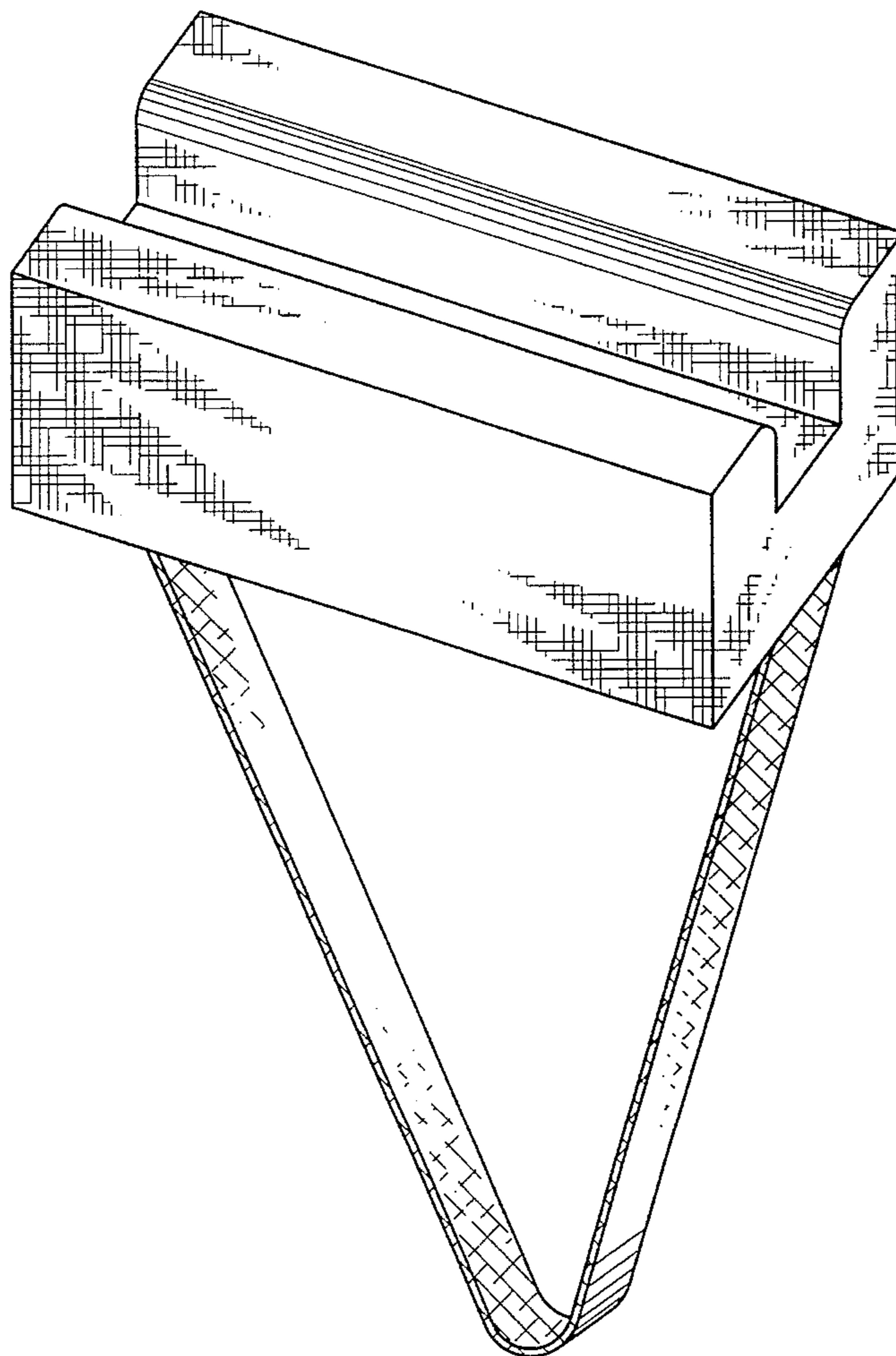
FIG. 2 is a front elevational view thereof;

FIG. 3 is a top plan view of the gun support as shown in FIG. 1;

FIG. 4 is a bottom plan view of the gun support as shown in FIG. 1; and,

FIG. 5 is a top, front, left side perspective view thereof.

**1 Claim, 4 Drawing Sheets**



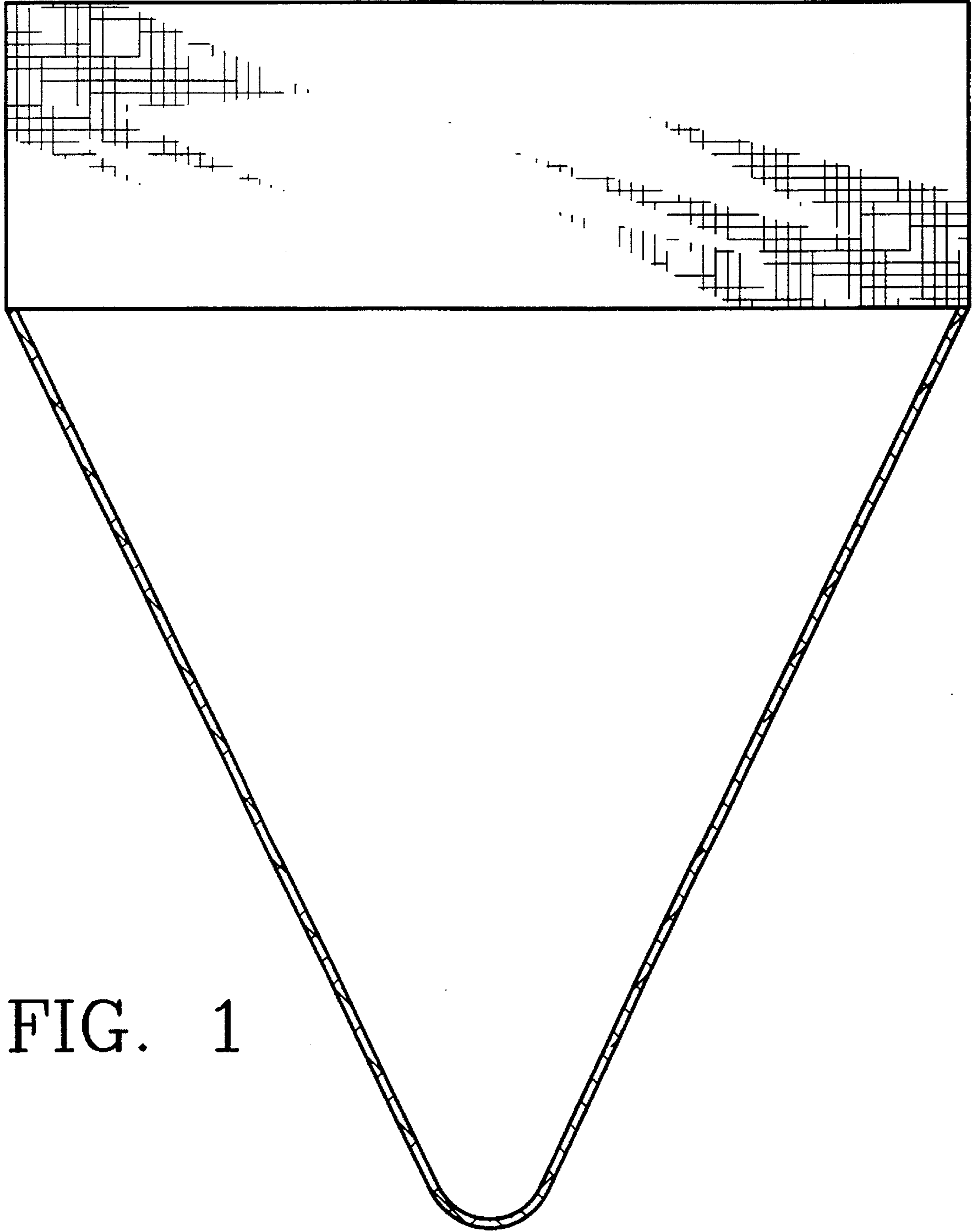


FIG. 1

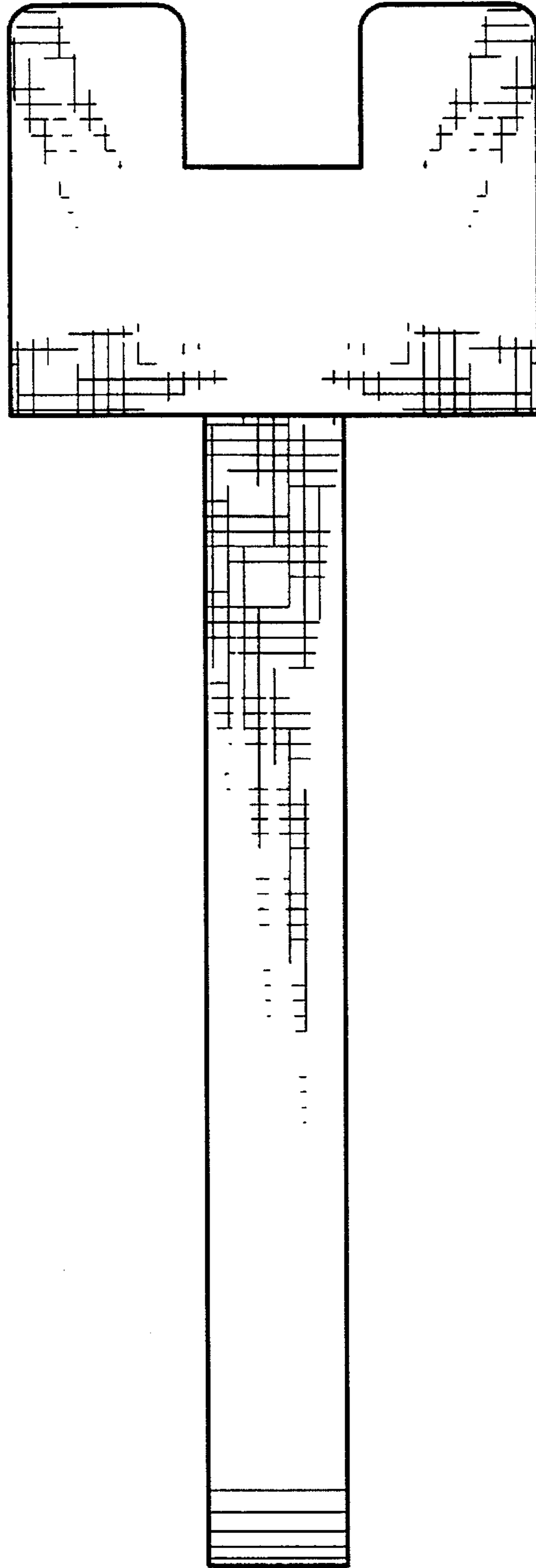


FIG. 2

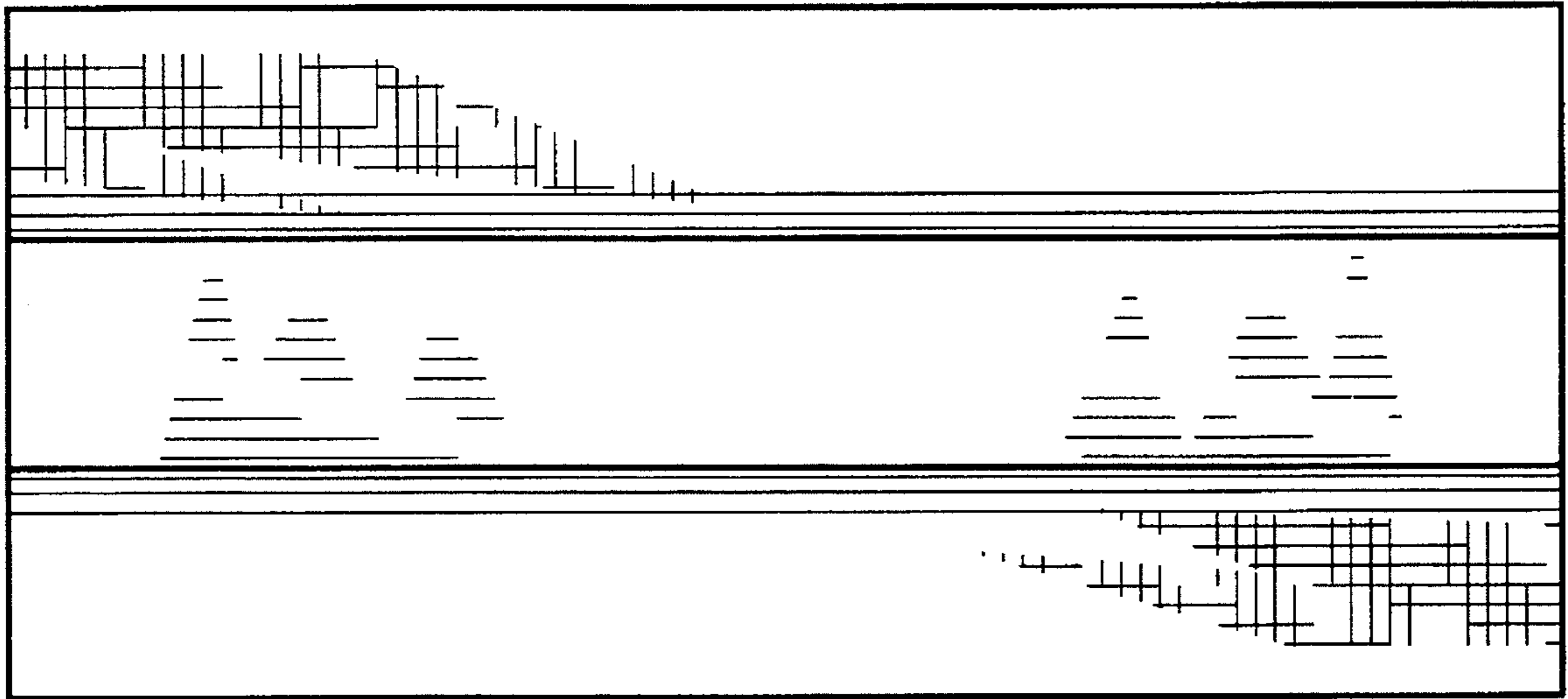


FIG. 3

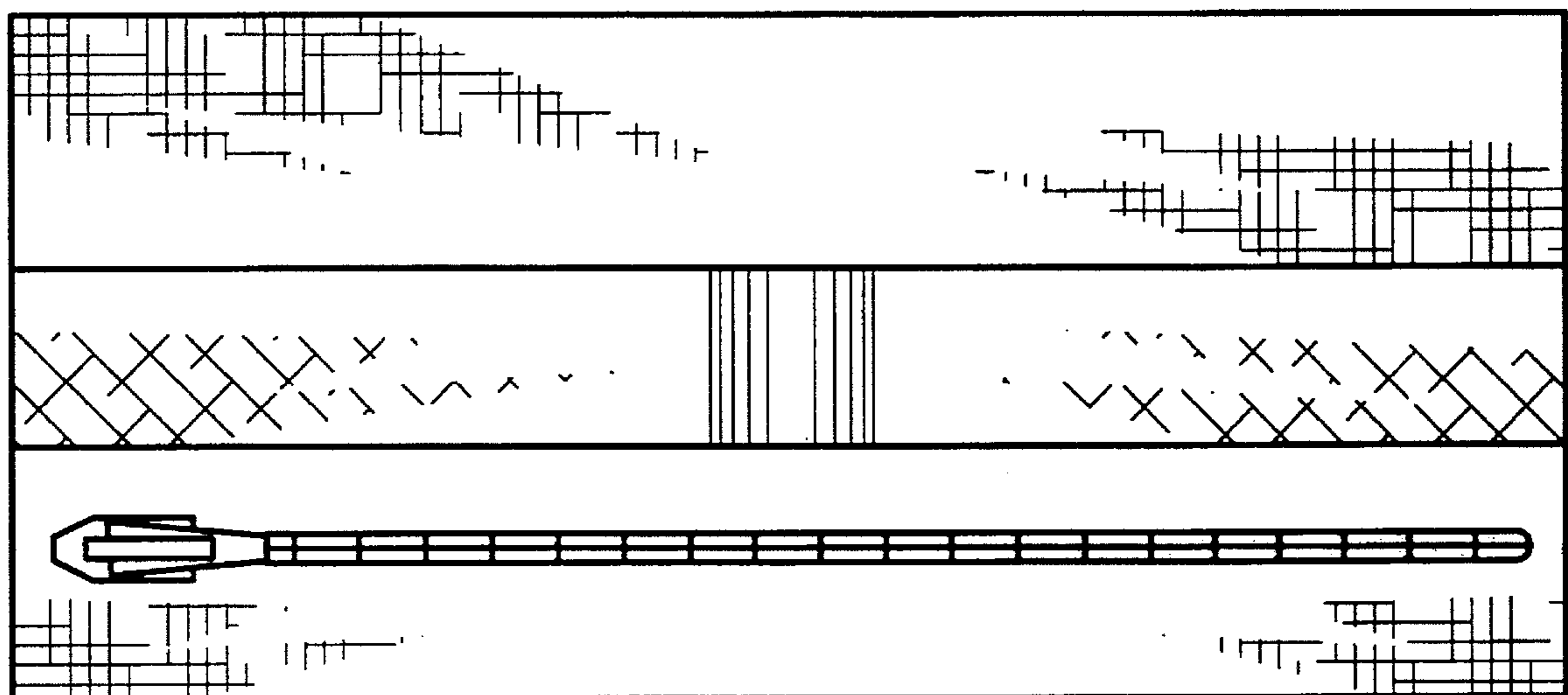


FIG. 4

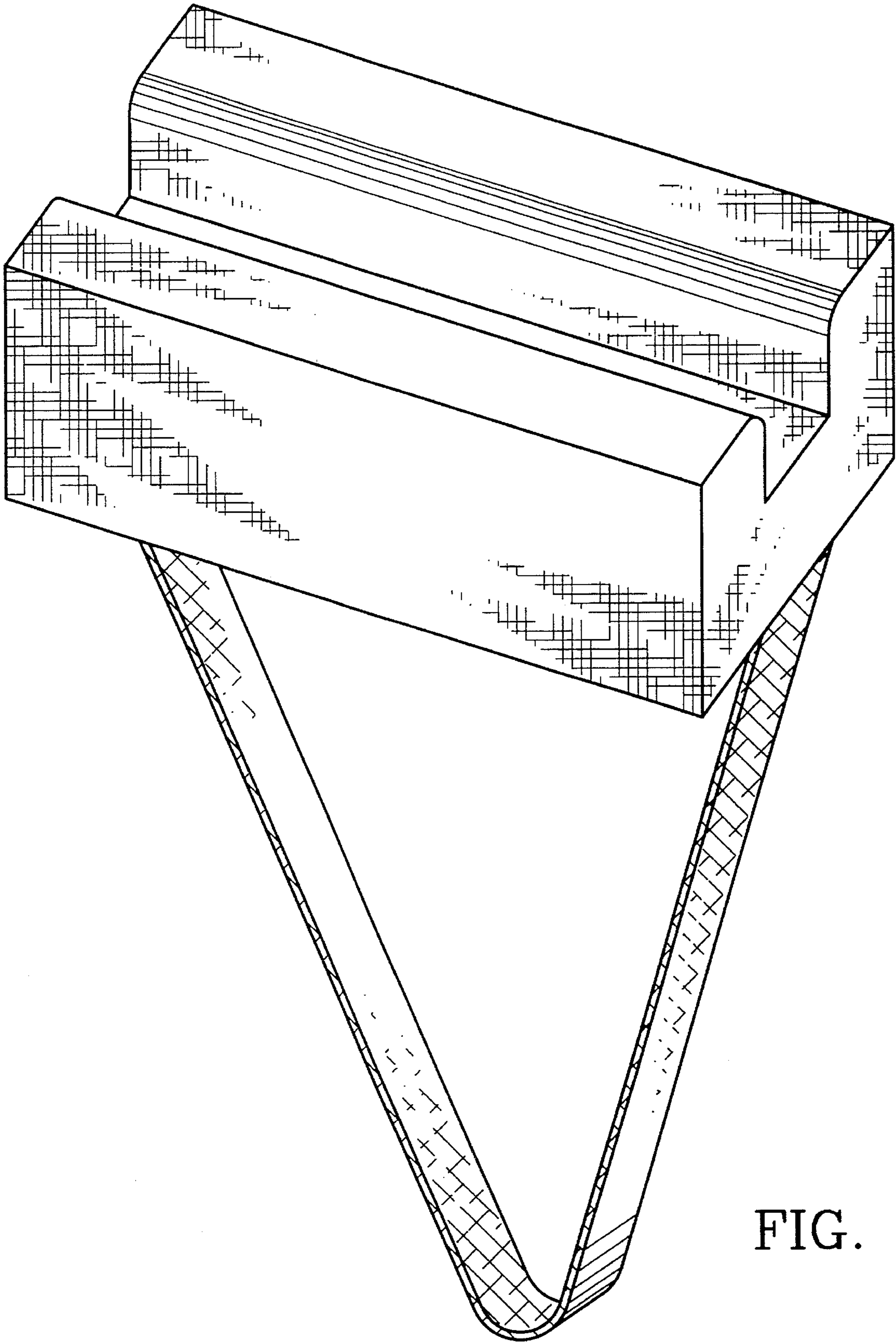


FIG. 5