



US00D378703S

# United States Patent [19]

[11] **Patent Number:** **Des. 378,703**

**Lo**

[45] **Date of Patent:** **\*\*Apr. 1, 1997**

[54] **FLASHLIGHT**

D. 333,527 2/1993 Leung ..... D26/46  
D. 346,236 4/1994 Yuen ..... D26/46

[75] **Inventor:** **Kai-Bun Lo**, Kowloon, Hong Kong

[73] **Assignee:** **Gaylite Enterprises Company**, Hong Kong, Hong Kong

[\*\*] **Term:** **14 Years**

*Primary Examiner*—Marcus A. Jackson  
*Attorney, Agent, or Firm*—Samuels, Gauthier, Stevens & Reppert

[21] **Appl. No.:** **48,791**

[57] **CLAIM**

[22] **Filed:** **Dec. 21, 1995**

The ornamental design for “a flashlight”, as shown and described.

### Related U.S. Application Data

### DESCRIPTION

[63] Continuation-in-part of Ser. No. 19,303, Feb. 28, 1994, abandoned.

[52] **U.S. Cl.** ..... **D26/46**

[58] **Field of Search** ..... D26/37-50; 362/157, 362/158, 171, 172, 178, 181, 183, 192, 194, 196, 197, 200-206

FIG. 1 is the top plan view of a flashlight showing my new design;

FIG. 2 is the side view thereof, with the opposite side being a mirror image;

FIG. 3 is the front view thereof;

FIG. 4 is the rear view; and,

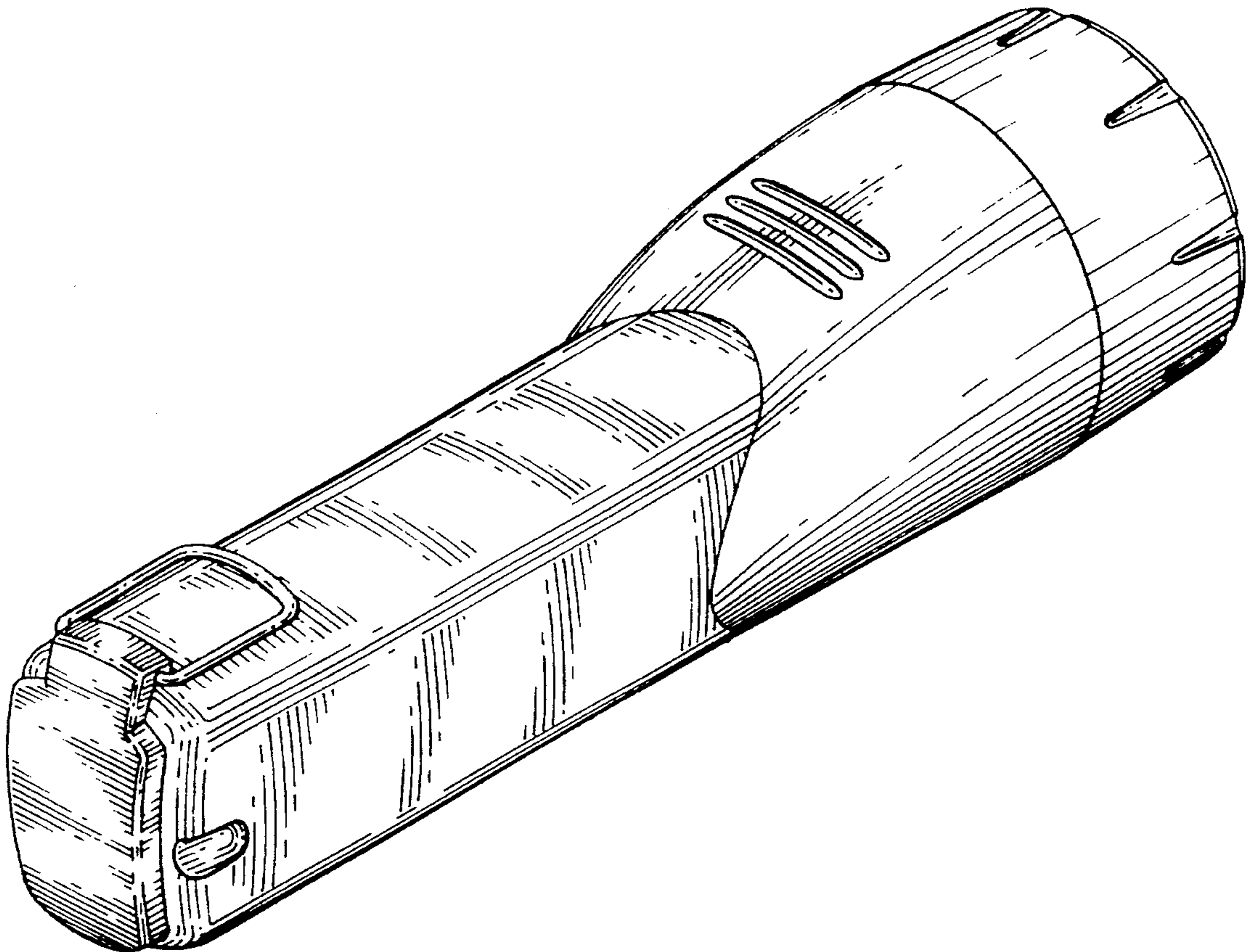
FIG. 5 is the perspective view thereof.

[56] **References Cited**

### U.S. PATENT DOCUMENTS

D. 314,634 2/1991 Fenne ..... D26/46

**1 Claim, 3 Drawing Sheets**



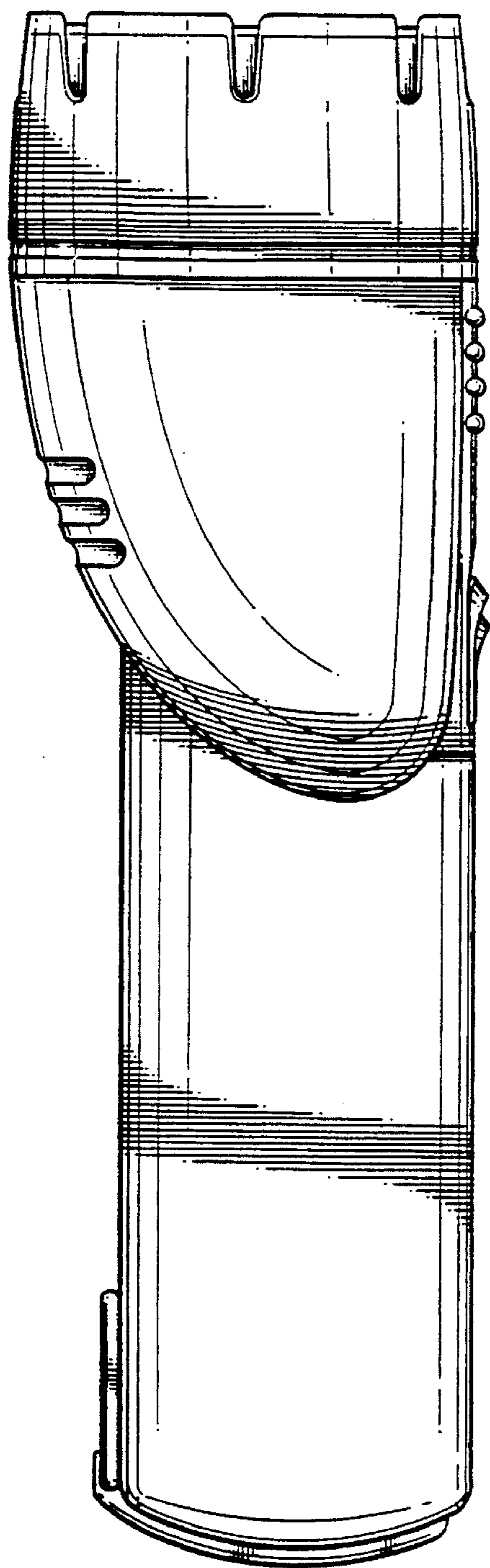


FIG. 2

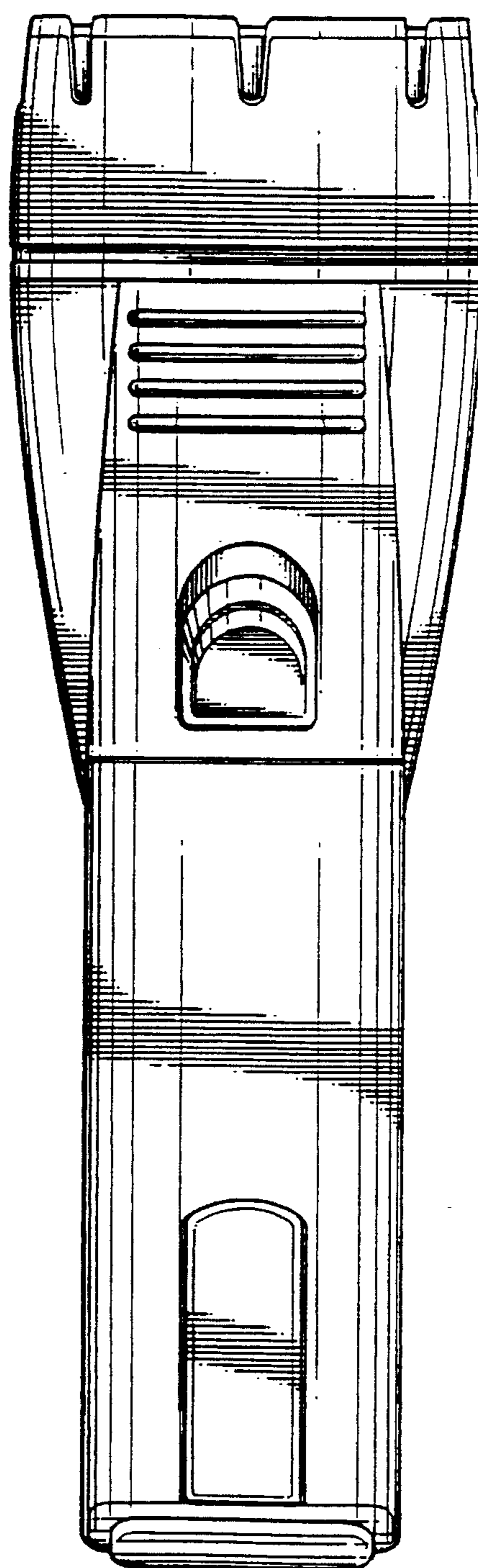


FIG. 1

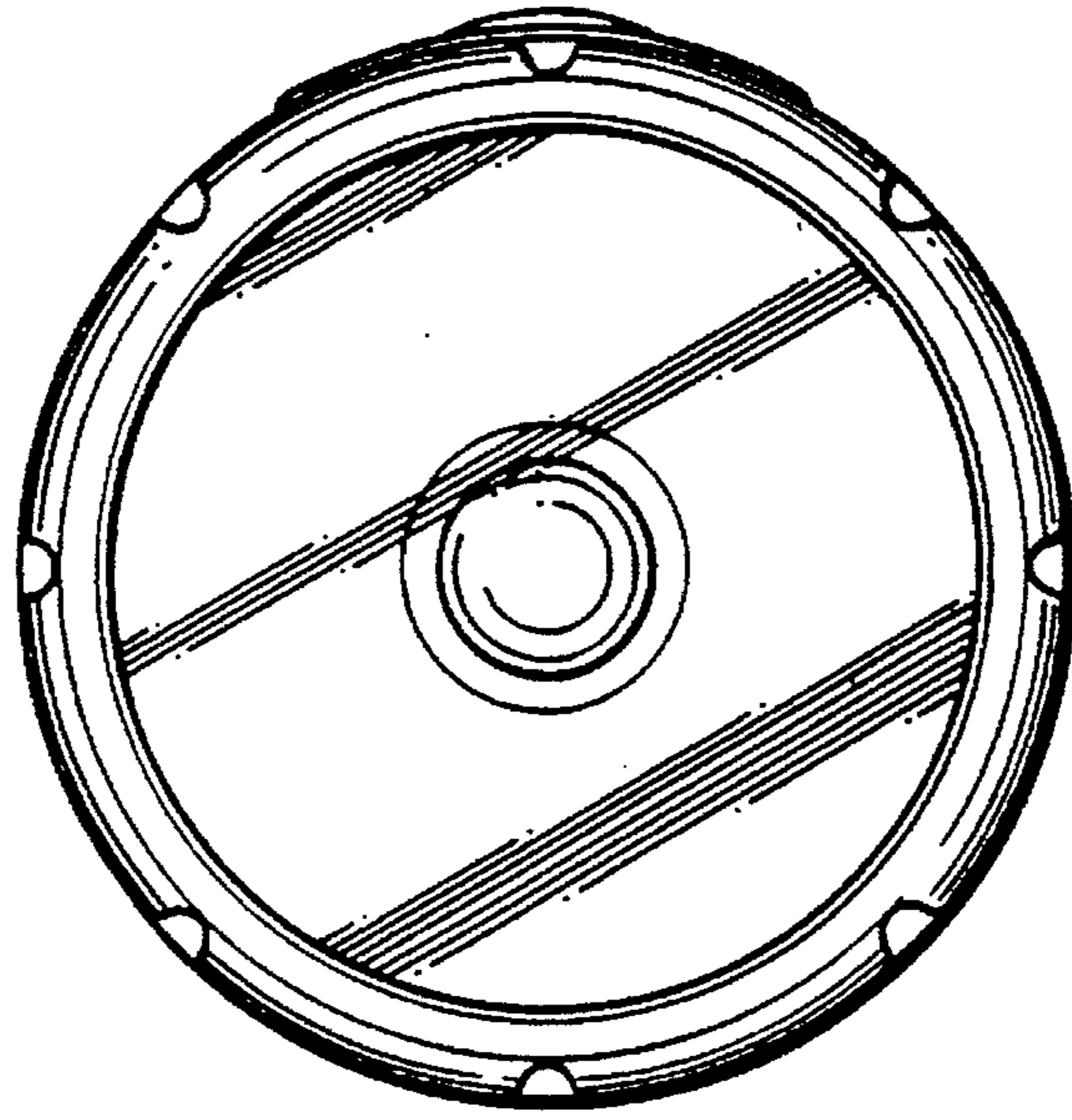


FIG. 3

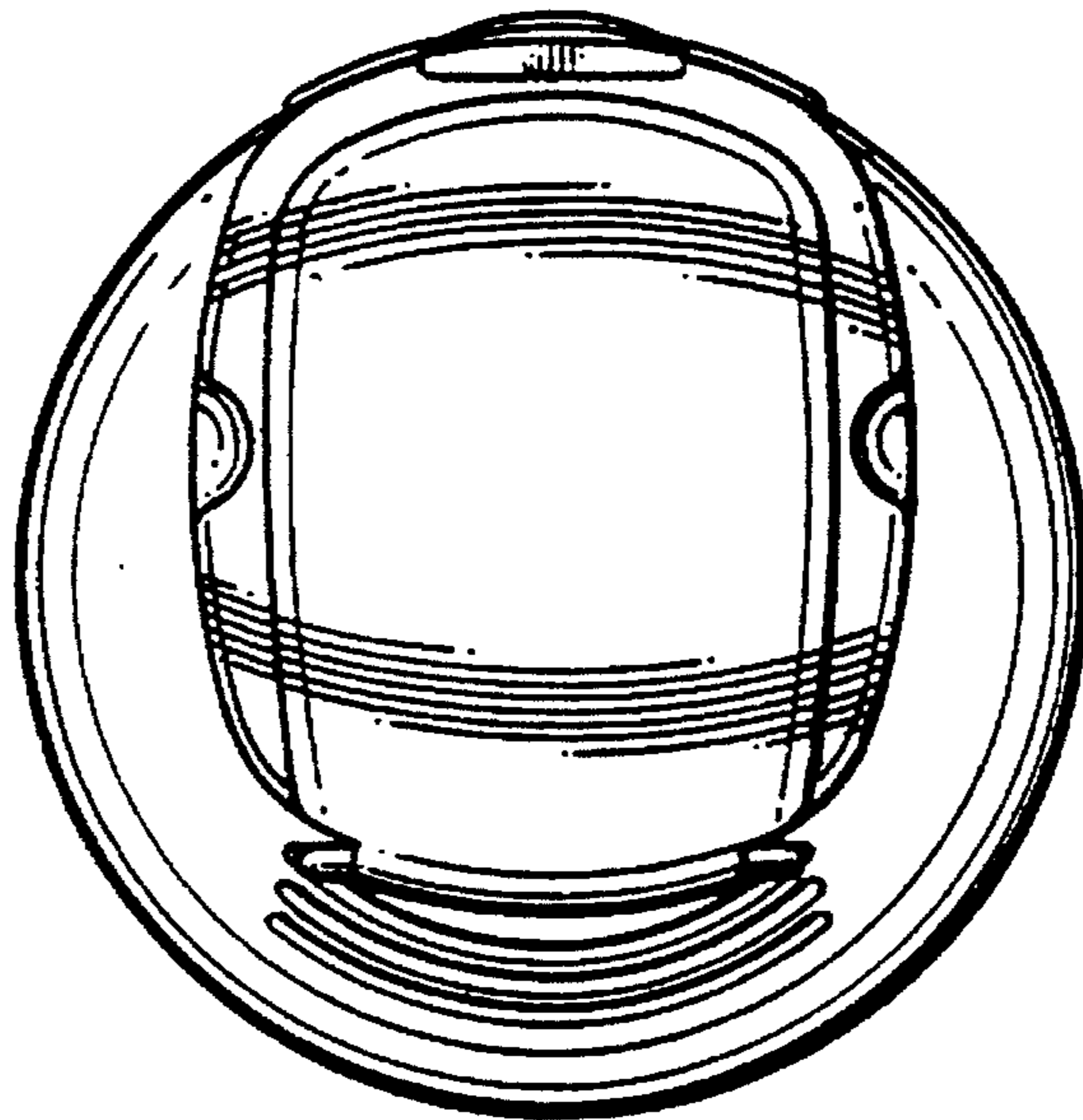


FIG. 4



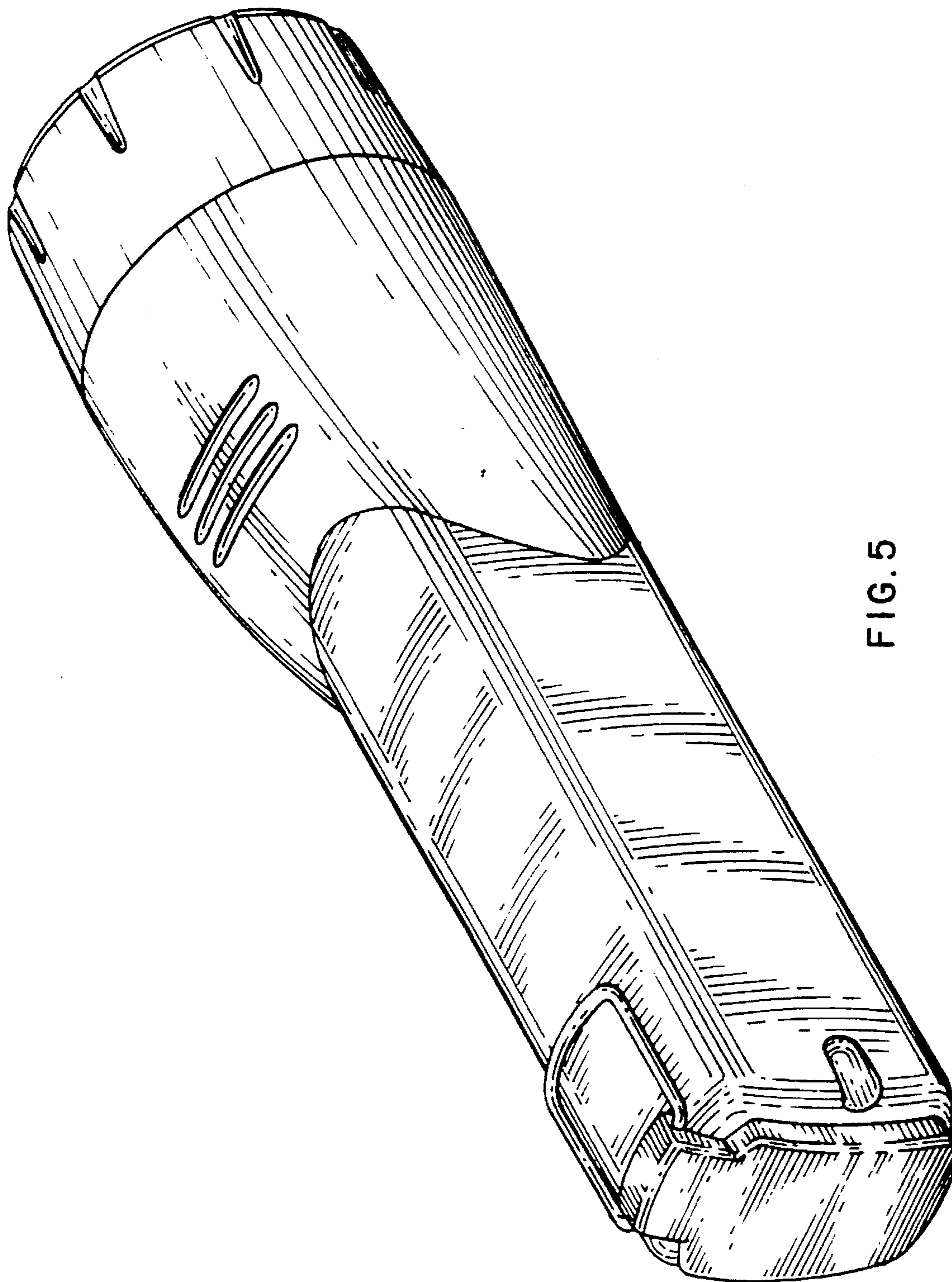


FIG. 5