



US00D378697S

United States Patent [19]

[11] Patent Number: **Des. 378,697**

New

[45] Date of Patent: ****Apr. 1, 1997**

[54] **PERSONAL PORTABLE BIDET**

4,642,820 2/1987 Boring, Jr. 4/420.4
4,926,509 5/1990 Bass 4/448

[76] Inventor: **H. W. New**, 25188 Marion, Unit F-409,
Punta Gorda, Fla. 33950

Primary Examiner—Louis S. Zarfes
Assistant Examiner—Eric Watterson
Attorney, Agent, or Firm—Frank A. Lukasik

[**] Term: **14 Years**

[21] Appl. No.: **11,471**

[57] **CLAIM**

[22] Filed: **Aug. 5, 1993**

The ornamental design of a personal portable bidet, as shown.

[52] U.S. Cl. **D23/295**

[58] Field of Search D23/295-301;
4/420.1-420.5, 8, 443-448

DESCRIPTION

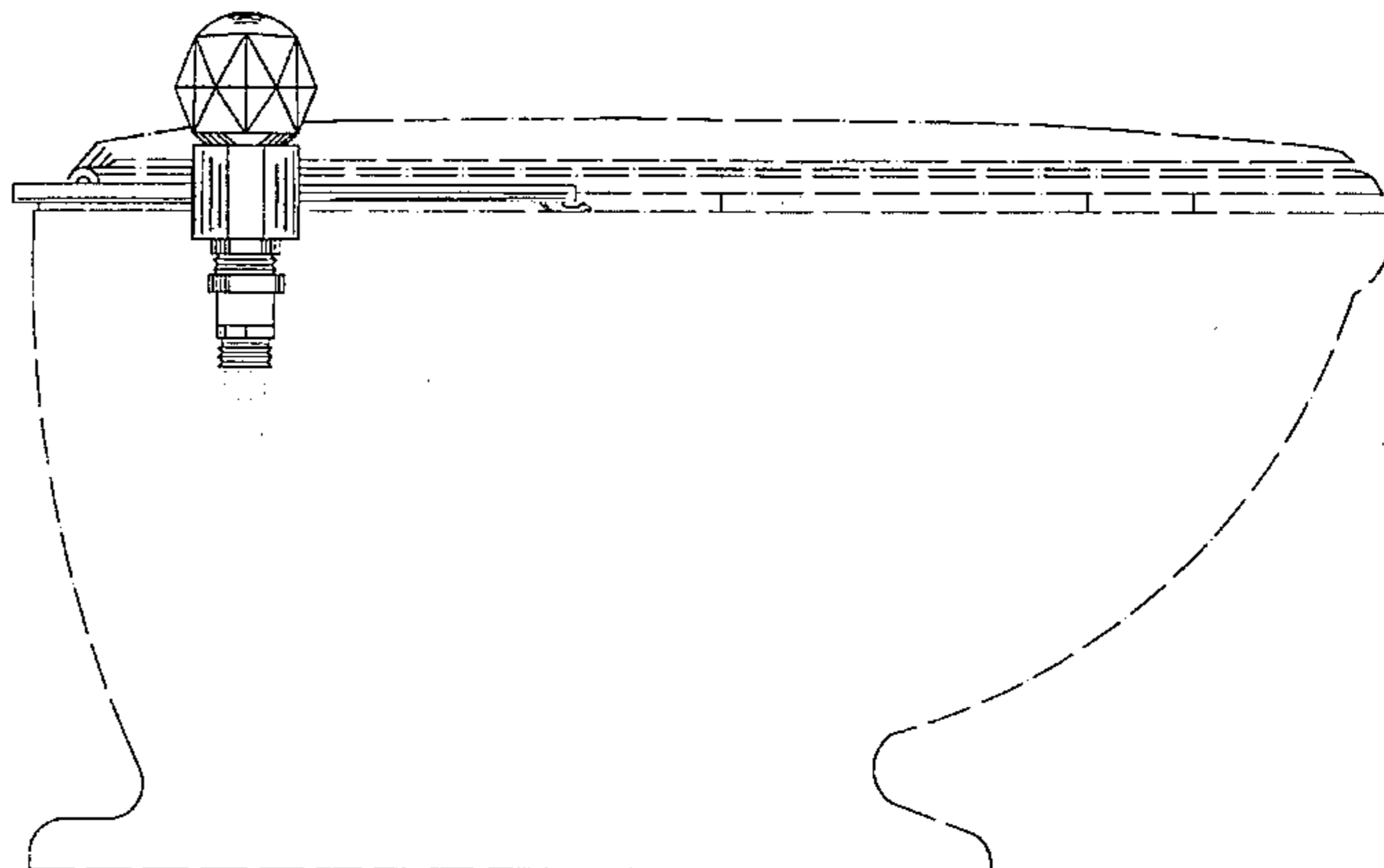
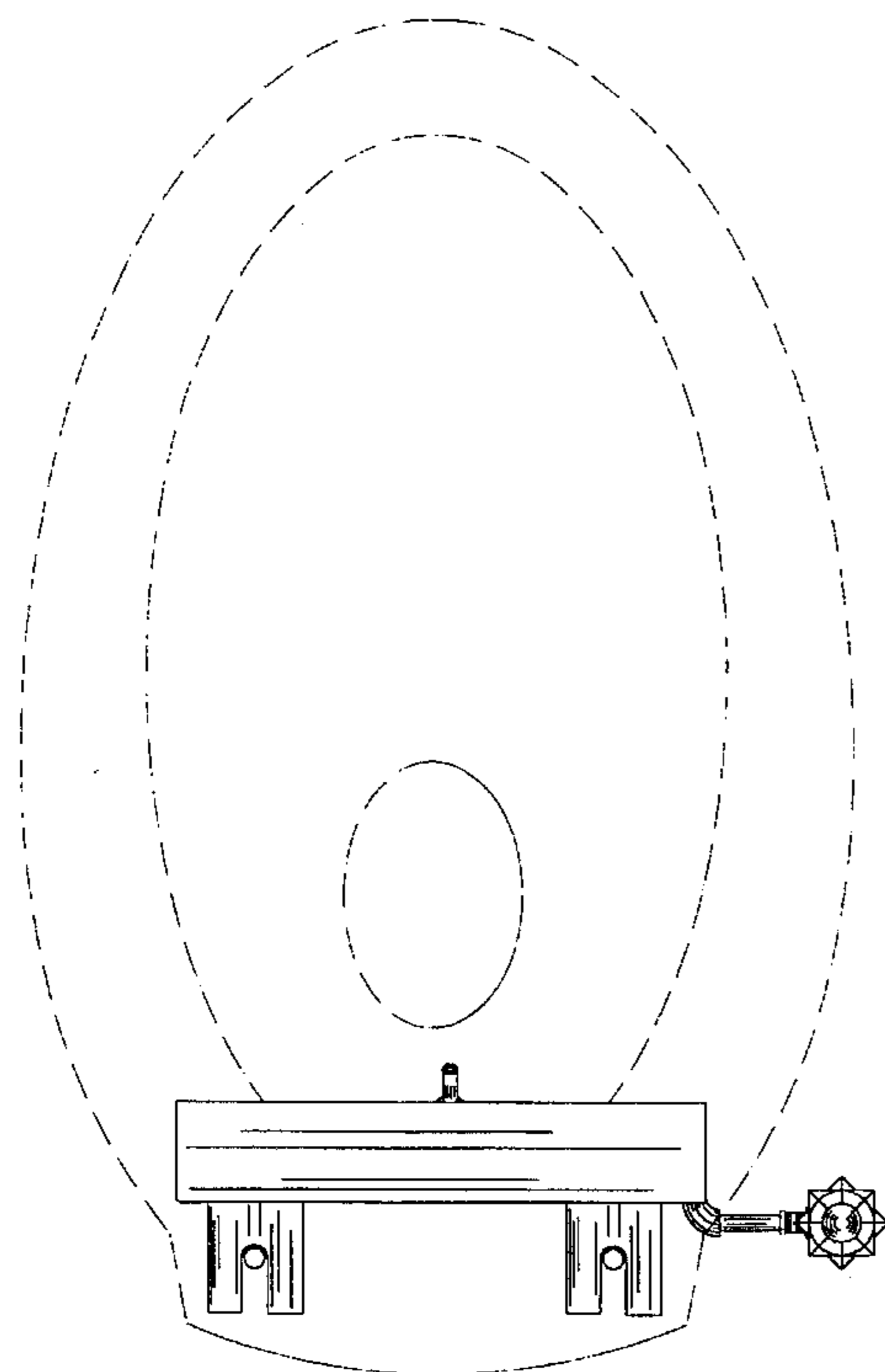
[56] **References Cited**

U.S. PATENT DOCUMENTS

D. 329,492	9/1992	New	D23/295
D. 331,453	12/1992	New	D23/295
D. 331,454	12/1992	New	D23/295
1,683,063	9/1928	Campus	4/420.5
1,838,356	12/1931	Berry	4/447 X
3,430,268	3/1969	Zoberg	4/420.1
3,513,487	5/1970	Palermo et al.	4/420.4
3,605,124	9/1971	Marcard et al.	4/420.2
4,135,255	1/1979	Menendez	4/448

FIG. 1 is a top plan view of a personal portable bidet unit for a toilet showing my new design;
FIG. 2 is a left side elevational view thereof;
FIG. 3 is a front elevational view thereof;
FIG. 4 is a rear elevational view thereof;
FIG. 5 is a bottom plan view thereof; and,
FIG. 6 is a left side elevational view thereof.
The broken line representation of a toilet and an toilet seat cover in FIGS. 1, 2, and 6 are for purposes of illustration only and form no part of the claimed design.

1 Claim, 6 Drawing Sheets



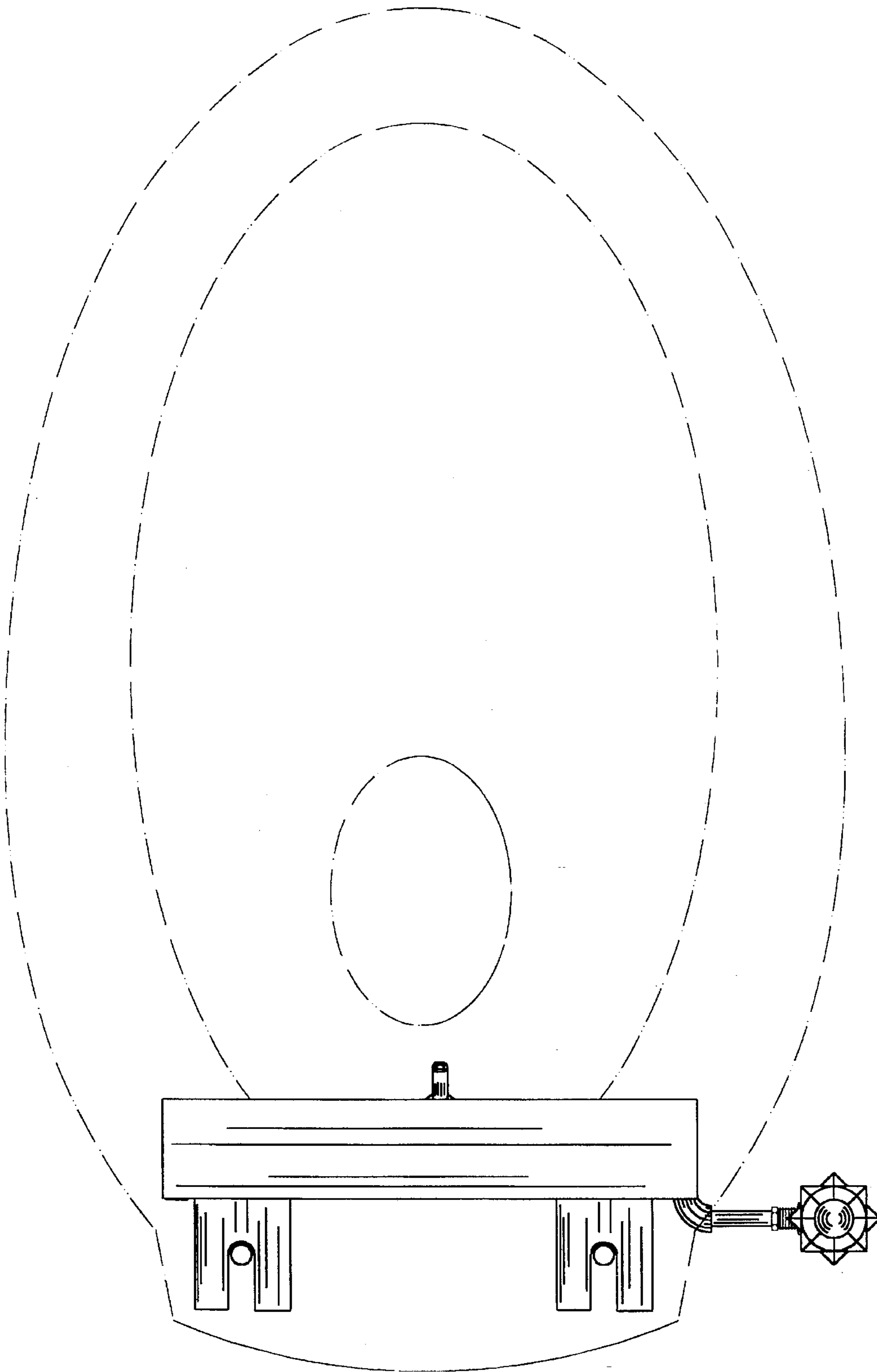


FIG. 1

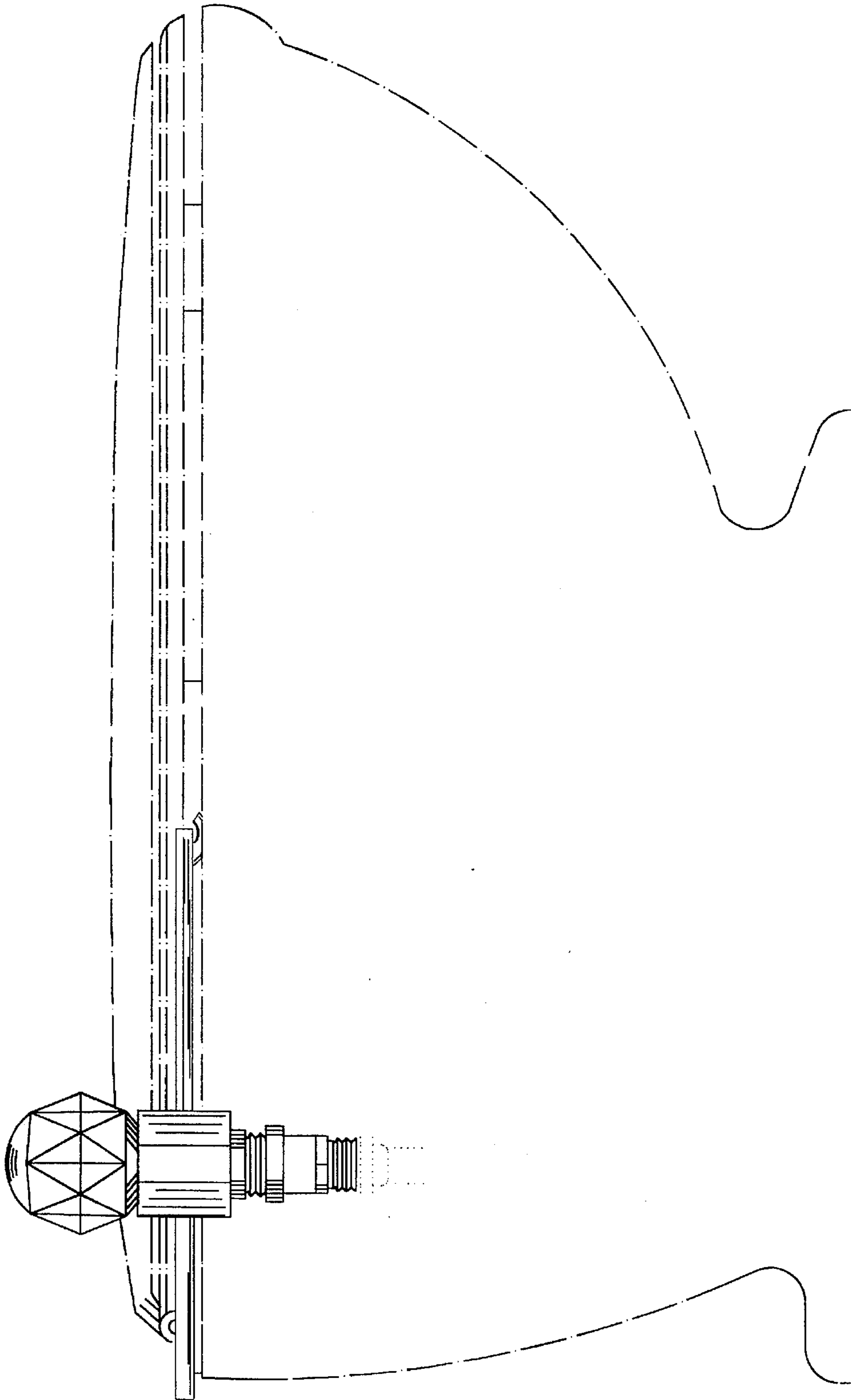


FIG. 2

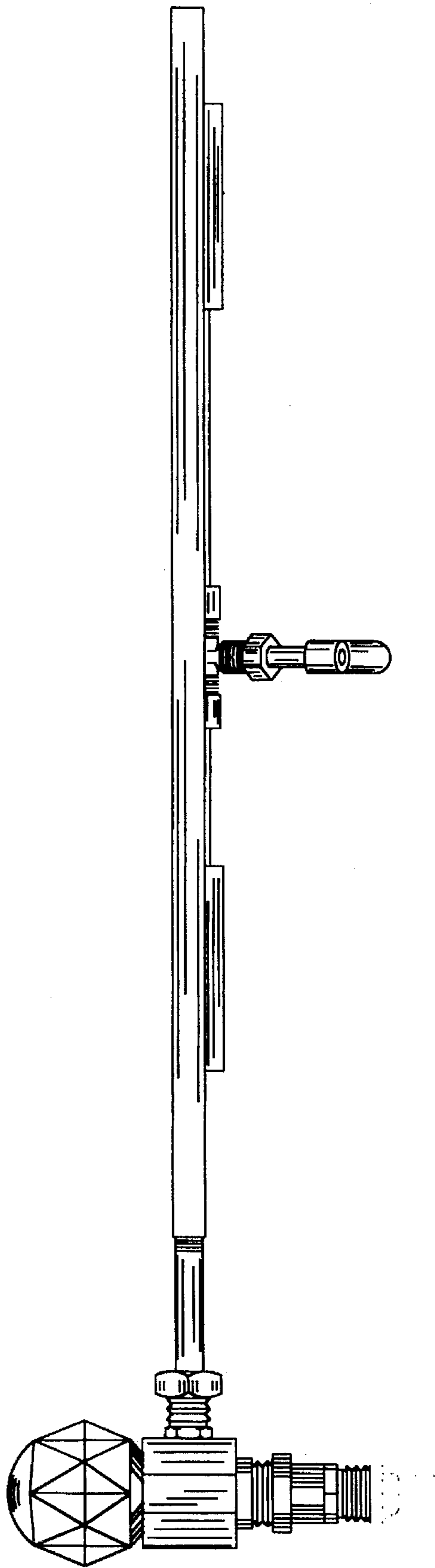


FIG. 3

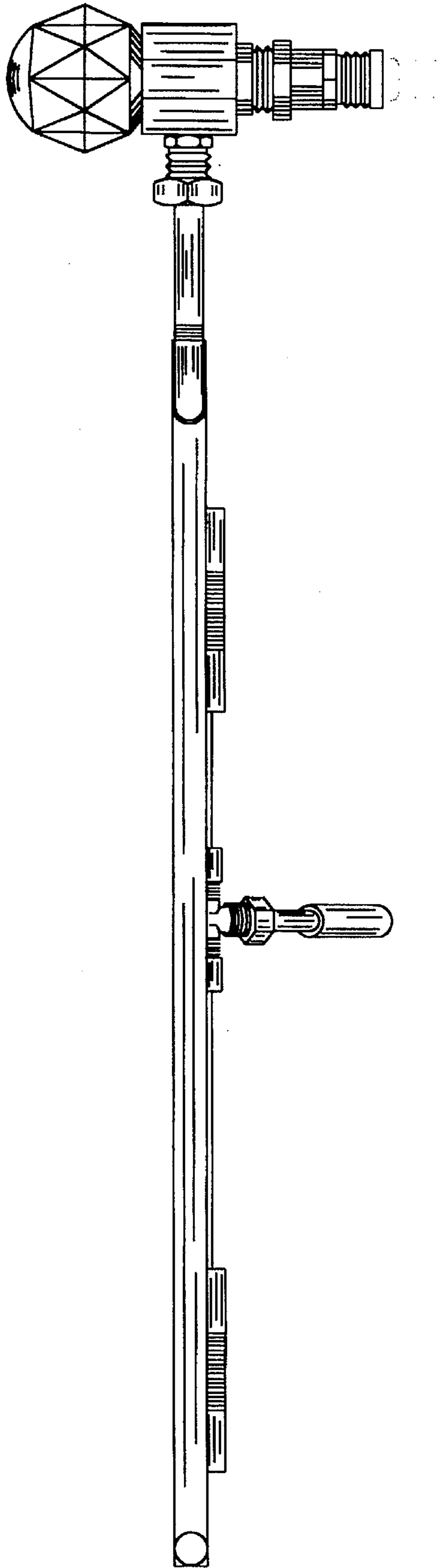


FIG. 4

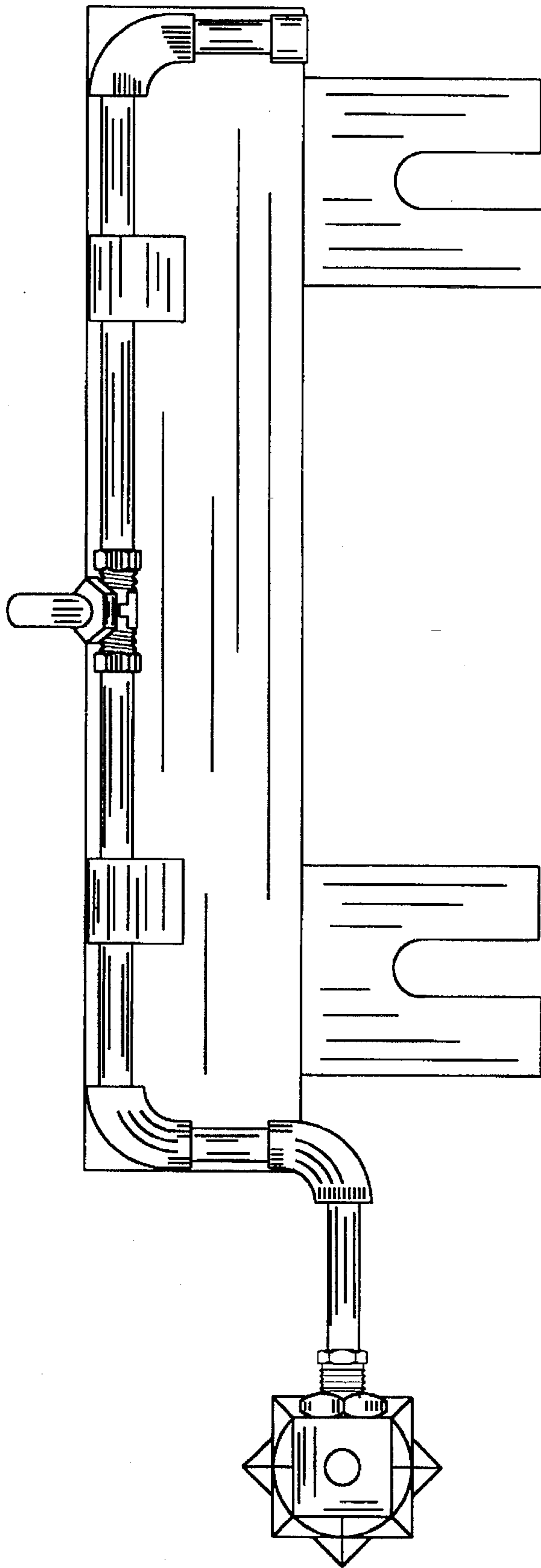


FIG. 5

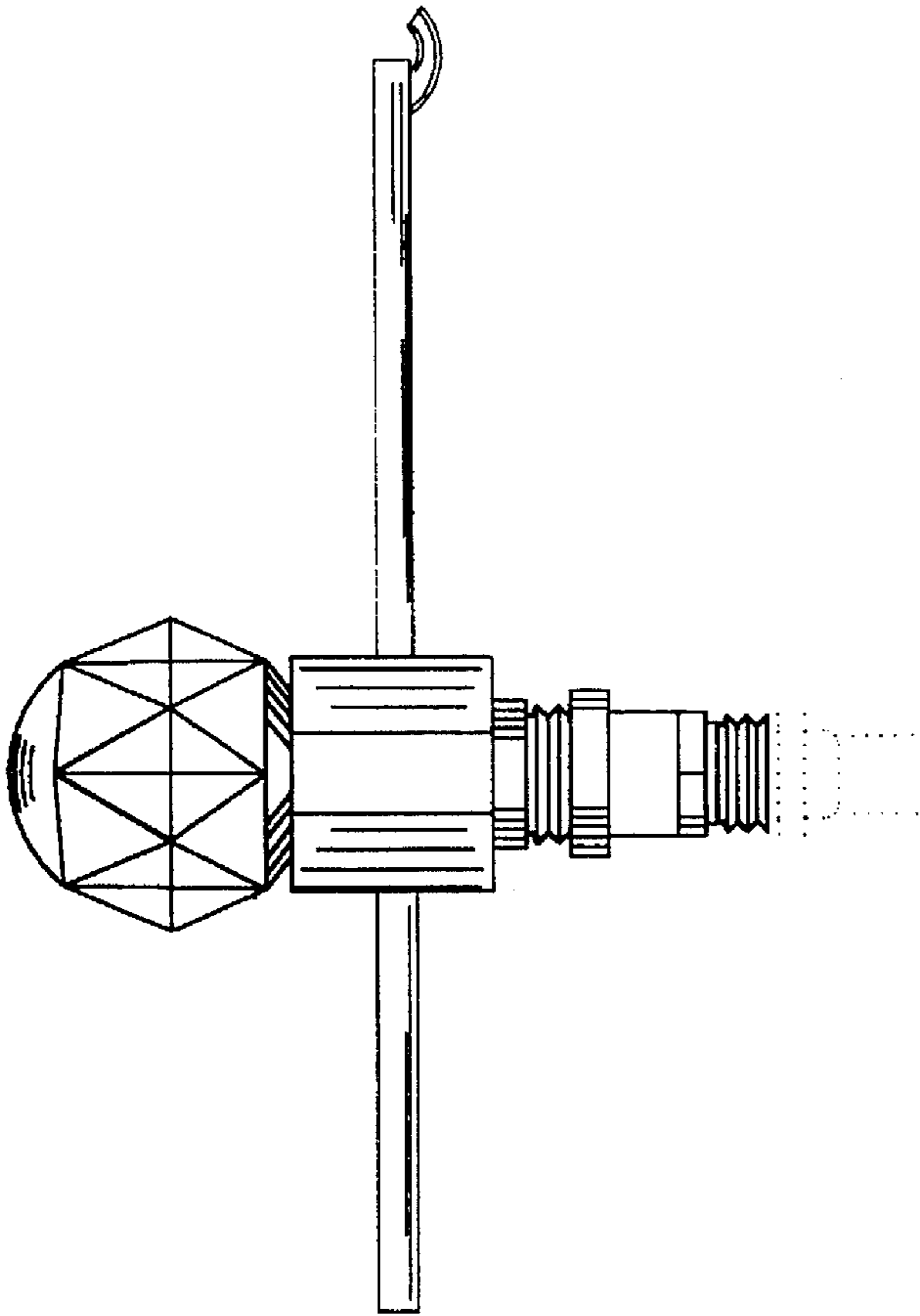


FIG. 6