



US00D378696S

United States Patent [19]

[11] Patent Number: **Des. 378,696**

Bonnell et al.

[45] Date of Patent: ****Apr. 1, 1997**

[54] **BASE FOR BATHING AREA**

Attorney, Agent, or Firm—Quarles & Brady

[75] Inventors: **Thomas A. Bonnell; Robert C. Giese,**
both of Sheboygan, Wis.

[57] **CLAIM**

The ornamental design for a base for bathing area, as shown and described.

[73] Assignee: **Kohler Co.,** Kohler, Wis.

[**] Term: **14 Years**

DESCRIPTION

[21] Appl. No.: **33,973**

FIG. 1 is a left, top, frontal perspective view of a base for bathing area embodying our new design;
FIG. 2 is a top plan view thereof;
FIG. 3 is a front elevational view thereof;
FIG. 4 is a left side elevational view thereof;
FIG. 5 is a right side elevational view thereof;
FIG. 6 is a bottom plan view thereof;
FIG. 7 is a sectional view taken on line 7—7 of FIG. 2;
FIG. 8 is a sectional view taken on line 8—8 of FIG. 2;
FIG. 9 is a top plan view of a second embodiment thereof, which is a mirror image of the first, the front elevational view being the mirror image of FIG. 3, the right side elevational view being the mirror image of FIG. 4, and the left side elevational view being the mirror image of FIG. 5;
FIG. 10 is a top plan view of a third embodiment identical to the first except for the enlargement of the corner seat;
FIG. 11 is a sectional view taken on line 11—11 of FIG. 10; and,
FIG. 12 is a top plan view of a fourth embodiment which is a mirror image of the FIG. 10 embodiment, and which is similar to the FIG. 9 embodiment but for the enlarged seat.

[22] Filed: **Jan. 25, 1995**

[52] **U.S. Cl.** **D23/283**

[58] **Field of Search** **D23/275, 277,**
D23/278, 280.1, 280.2, 280.4, 283; 4/586,
600, 604, 605, 602, 607, 610, 612

[56] References Cited

U.S. PATENT DOCUMENTS

D. 161,108	12/1950	Kandarian .	
D. 204,126	3/1966	Brenner	D23/283
D. 217,867	6/1970	Myers	D23/283
D. 299,164	12/1988	Burgess et al. .	
D. 299,523	1/1989	Poulin	D23/283
D. 337,375	7/1993	Bengtson et al.	D23/283
D. 338,260	8/1993	Bengtson .	

OTHER PUBLICATIONS

Page 7 of a Lasco ad, undated, untitled.

Primary Examiner—Stella Reid
Assistant Examiner—Eric Watterson

1 Claim, 8 Drawing Sheets

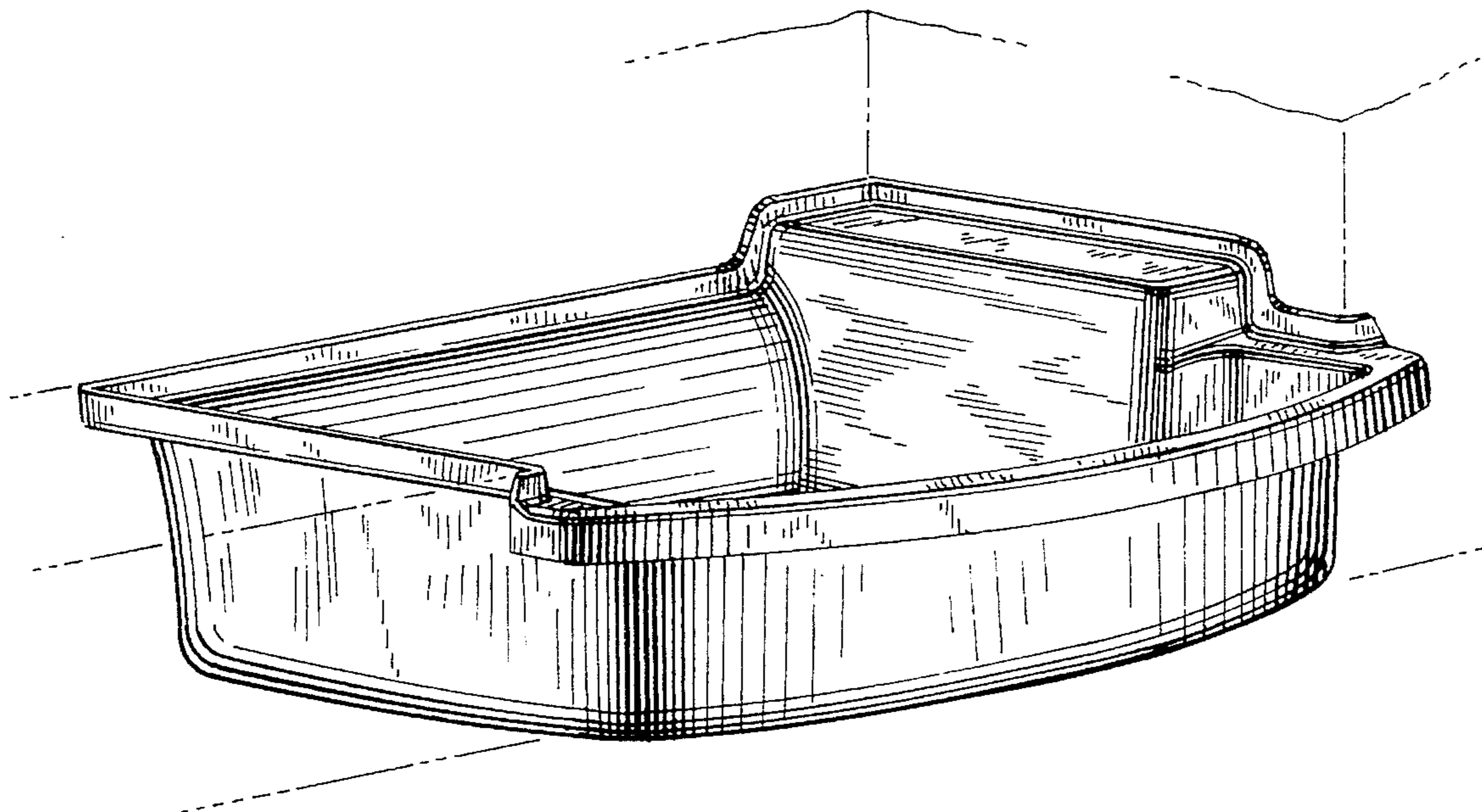


FIG. 1

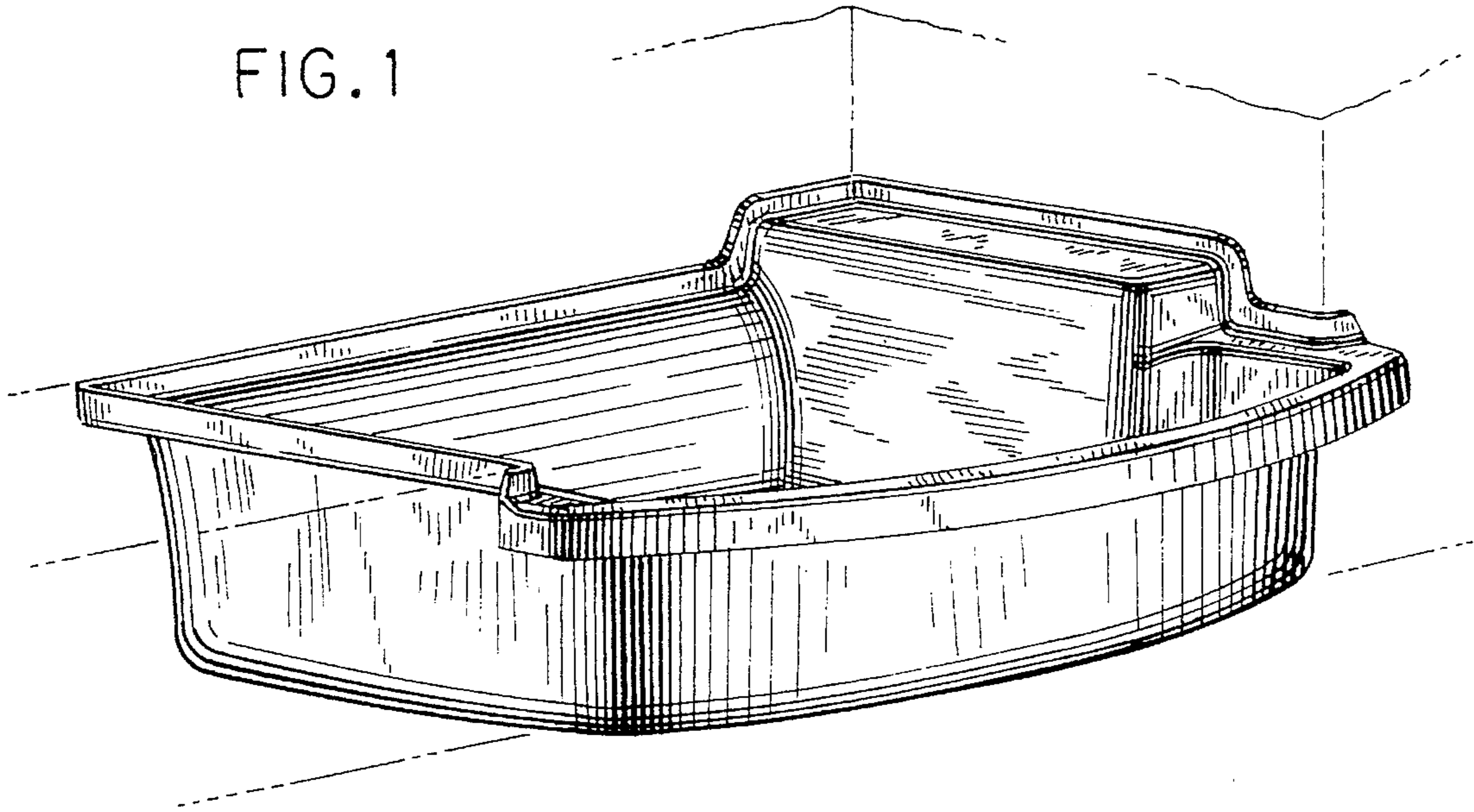


FIG. 4

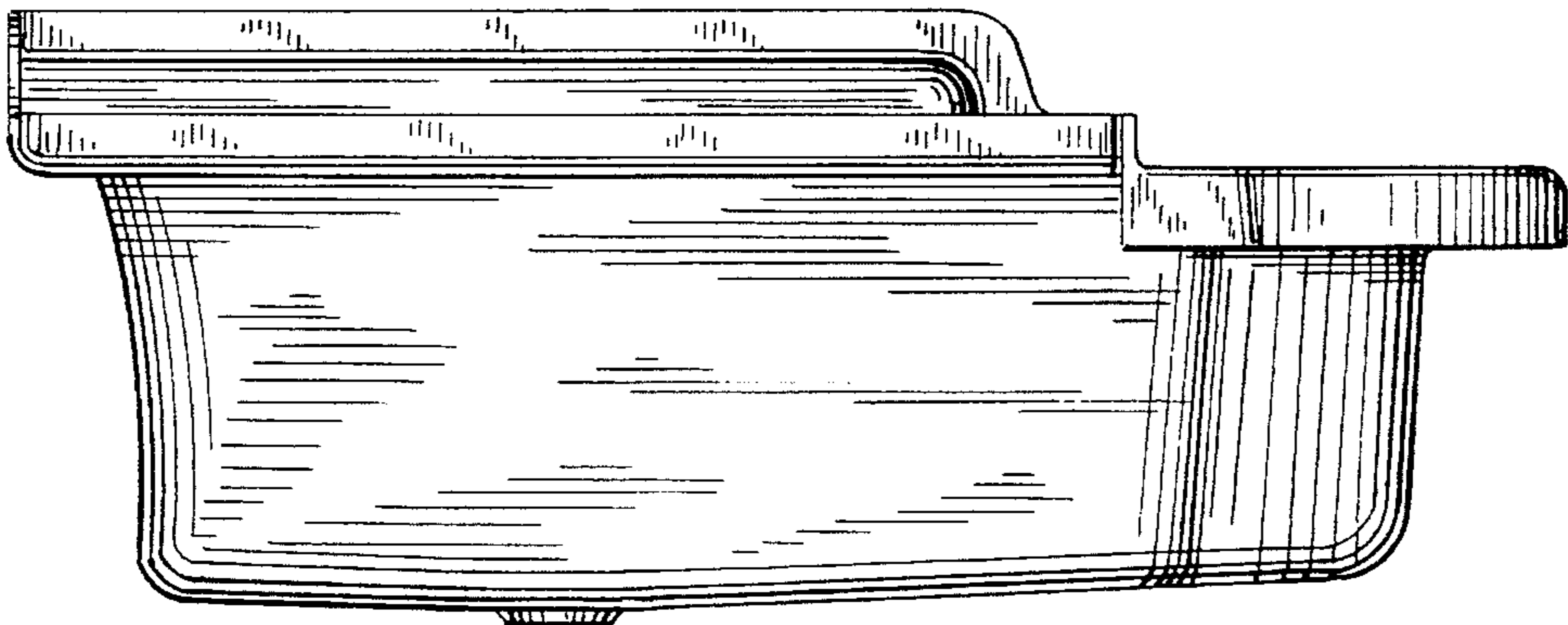
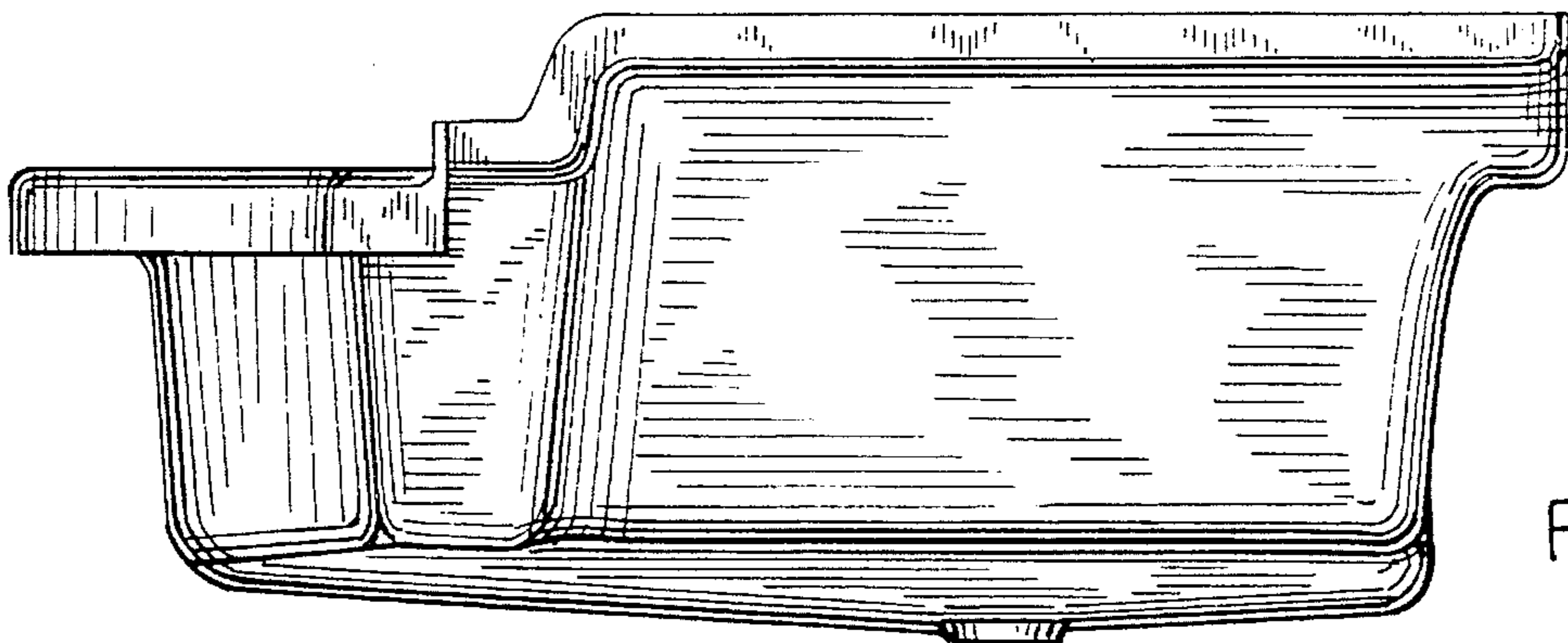


FIG. 5



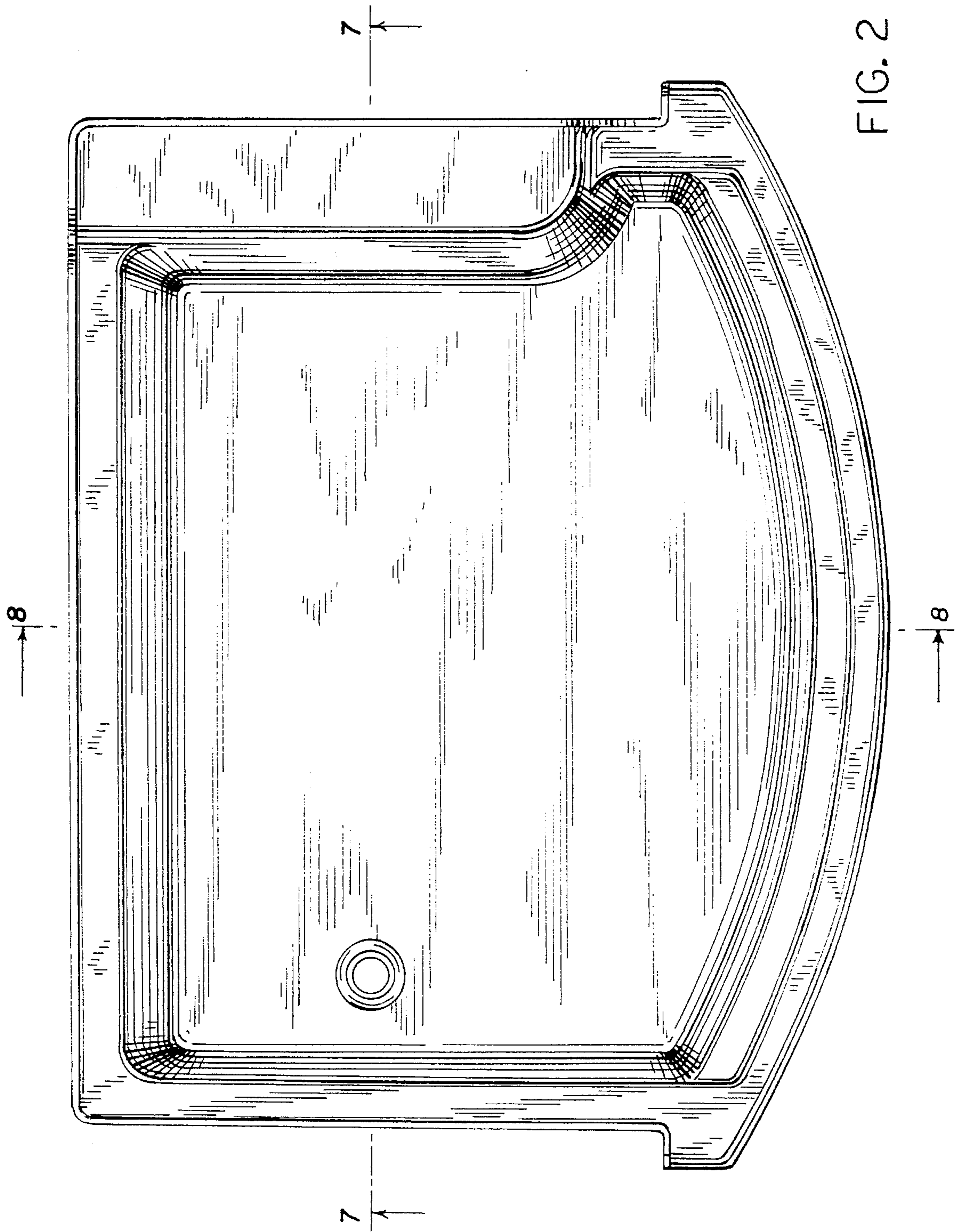


FIG. 2

FIG. 3

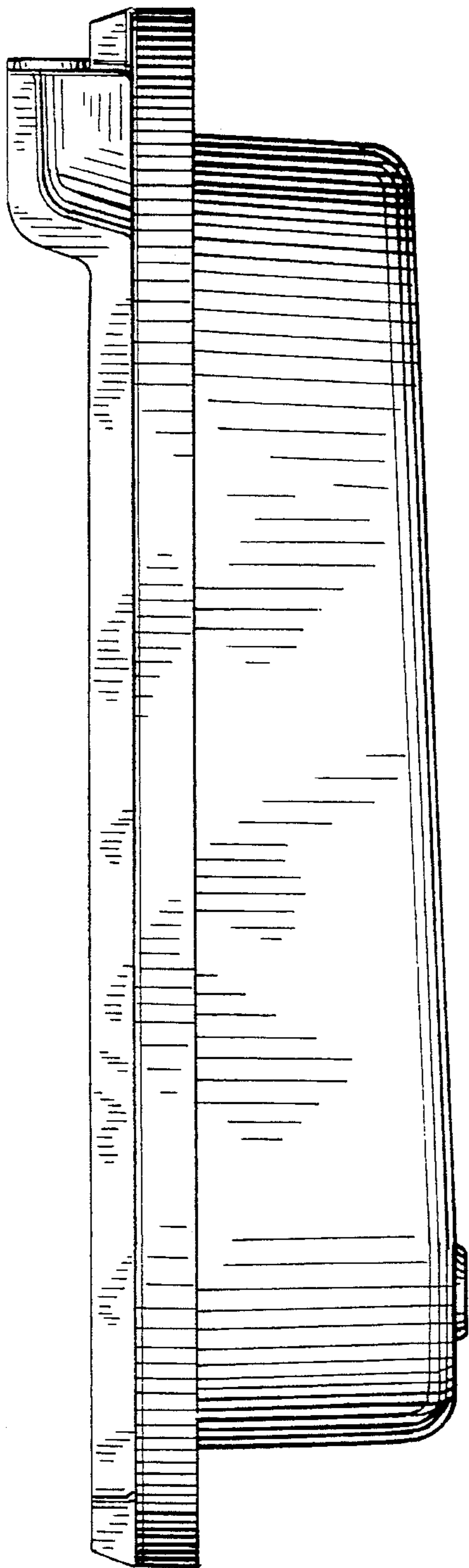


FIG. 7

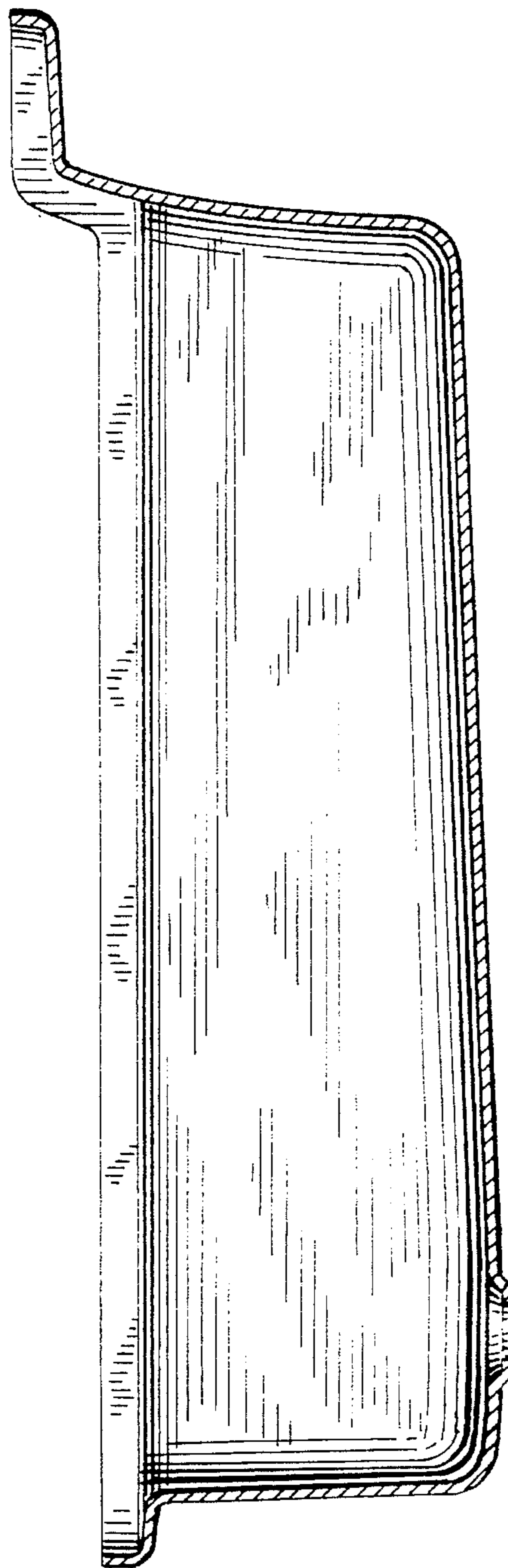
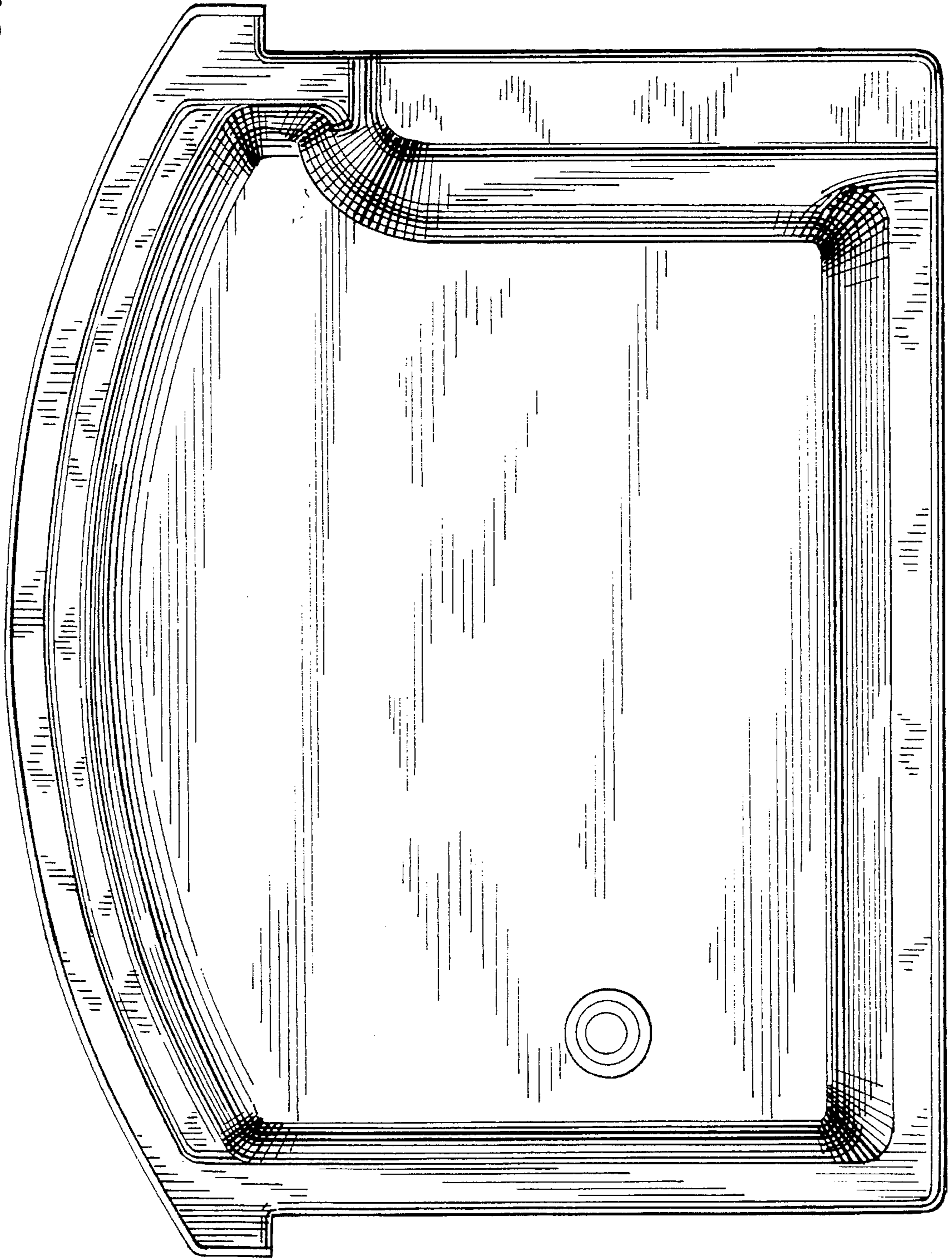


FIG. 6



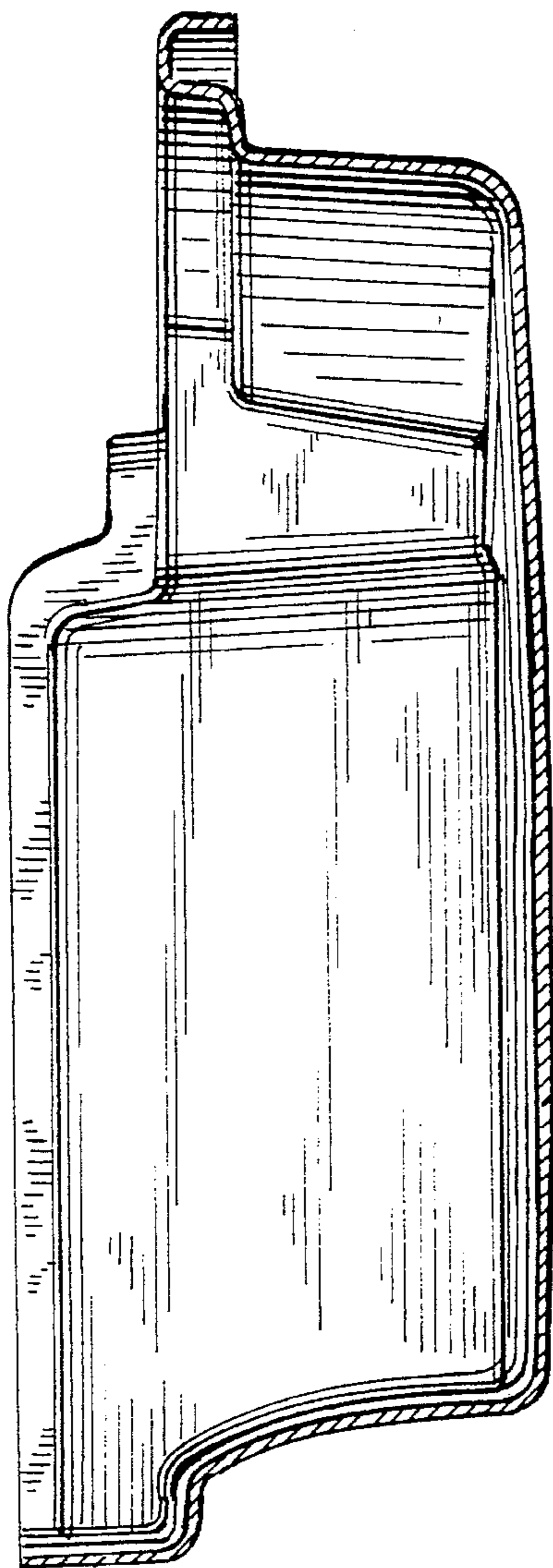


FIG. 8

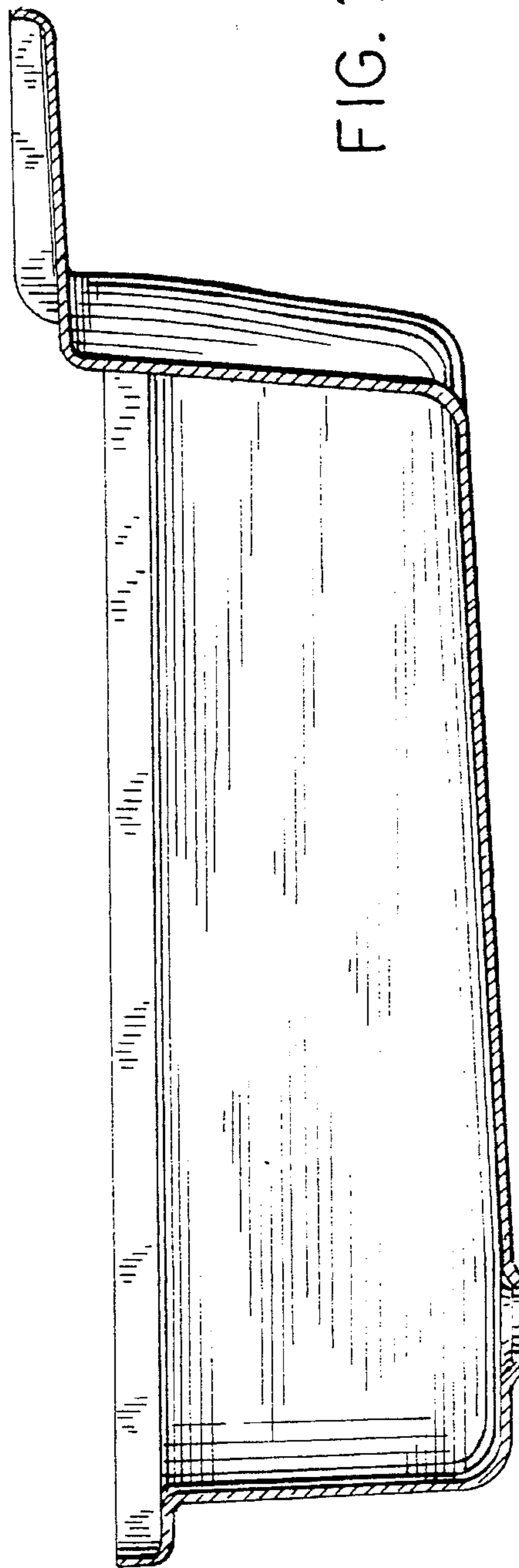
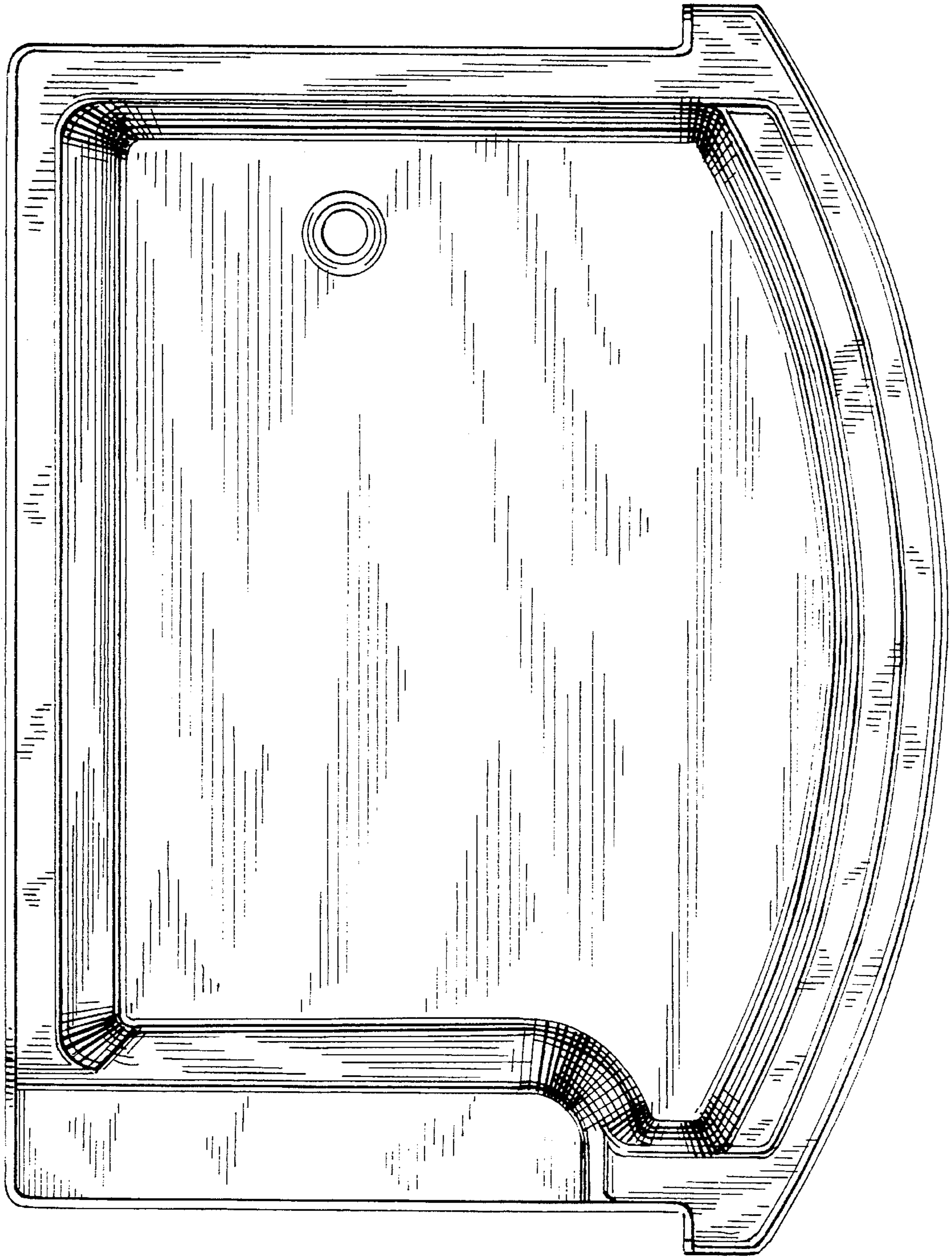


FIG. 11

FIG. 9



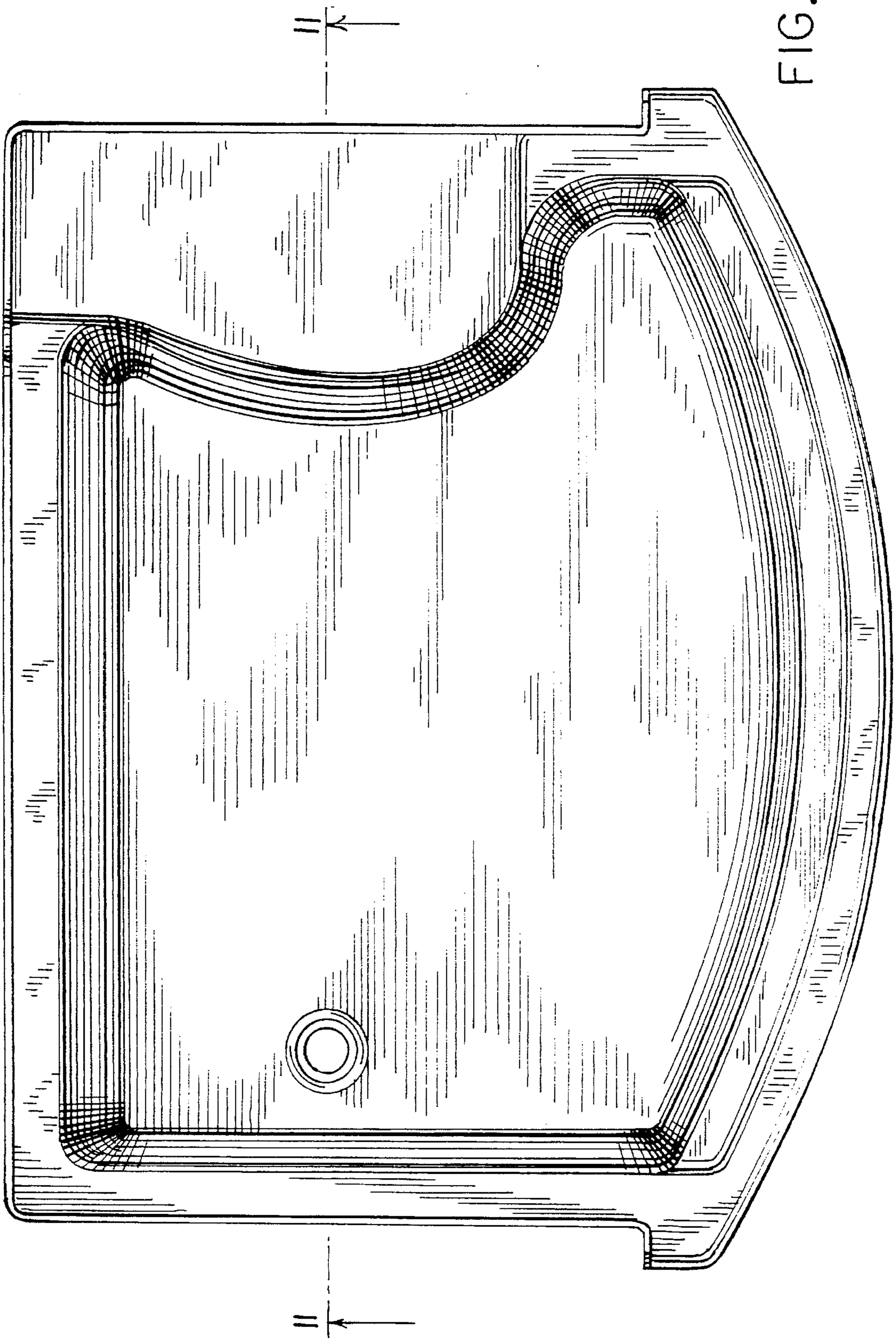


FIG. 10

FIG. 12

