



US00D378685S

United States Patent [19]

French et al.

[11] Patent Number: **Des. 378,685**

[45] Date of Patent: ****Apr. 1, 1997**

[54] **SPIRAL NOTEBOOK POUCH**

4,925,720 5/1990 Hansen D19/33
5,042,841 8/1991 Friedman .
5,378,022 1/1995 French .

[76] Inventors: **Diana J. French; Charlotte M. Odau**,
both of 2009 Linden Lake Rd., Fort
Collins, Colo. 80524

OTHER PUBLICATIONS

[**] Term: **14 Years**

Office Products, element A, 1992, p. 638.

[21] Appl. No.: **31,498**

Primary Examiner—Susan J. Lucas

[22] Filed: **Nov. 29, 1994**

Assistant Examiner—Pamela Burgess

[52] U.S. Cl. **D19/33**

Attorney, Agent, or Firm—Dean P. Edmundson

[58] **Field of Search** D19/1, 3, 4, 26,
D19/27, 28, 32, 33; D3/301, 303, 252;
402/63, 80 R, 70; 281/15.1, 45; 206/424;
40/405; 383/66, 907

[57] CLAIM

The ornamental design for a spiral notebook pouch, as shown and described.

DESCRIPTION

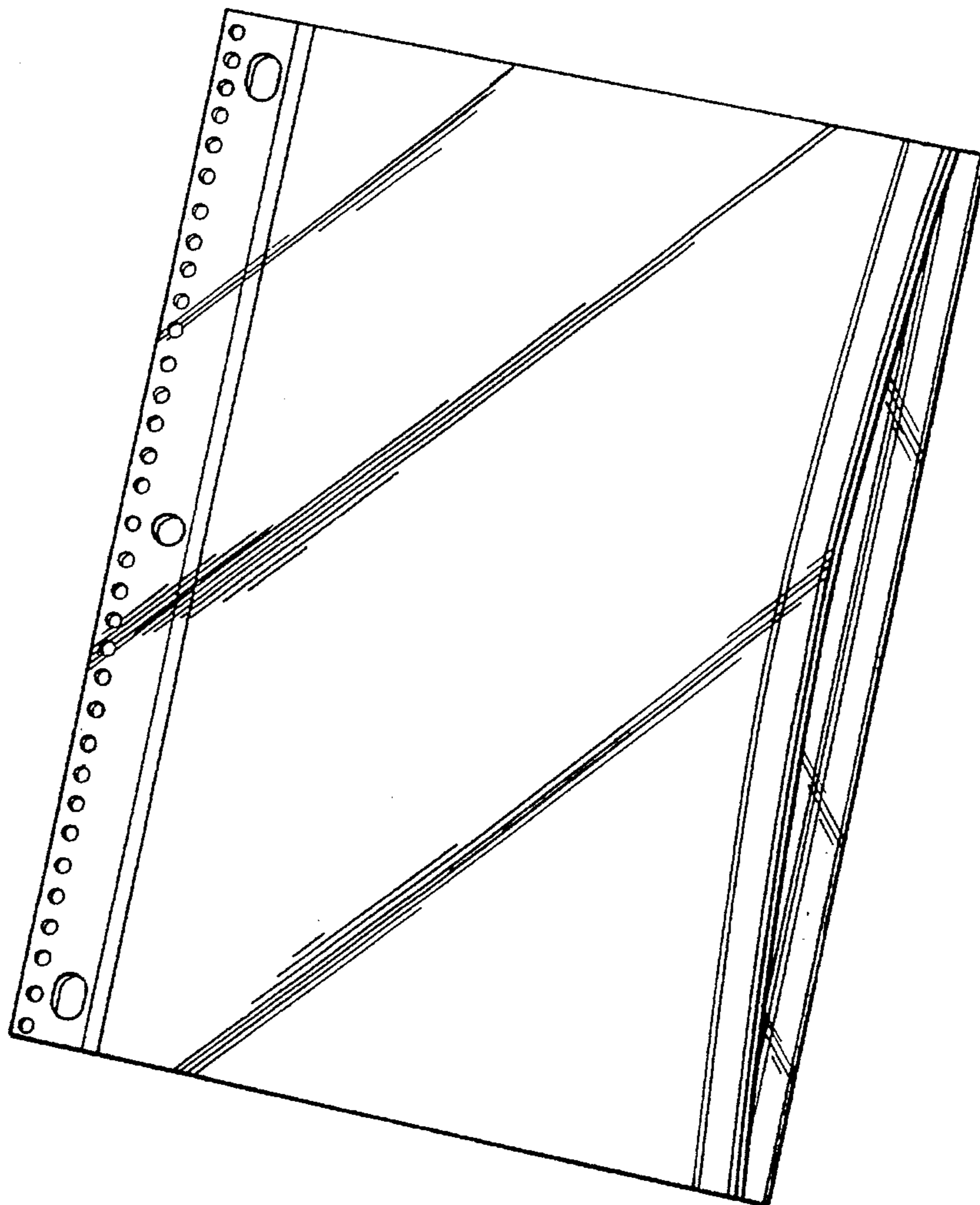
[56] References Cited

FIG. 1 is a front perspective view of a spiral notebook pouch in a partially opened position showing our new design; FIG. 2 is a front elevational view; FIG. 3 is a bottom plan view; the top plan view being a mirror image thereof; FIG. 4 is a rear elevational view; FIG. 5 is a left side elevational view; and, FIG. 6 is a right side elevational view thereof.

U.S. PATENT DOCUMENTS

- D. 175,389 8/1955 Brunner D3/301
- D. 262,891 2/1982 Nast D3/303 X
- D. 344,407 2/1994 Derrickson D19/305 X
- D. 352,733 11/1994 French .
- 2,677,376 5/1954 Brunner .
- 3,782,434 1/1974 Lebherz D9/305 X
- 4,893,837 1/1990 Pugliese .

1 Claim, 4 Drawing Sheets



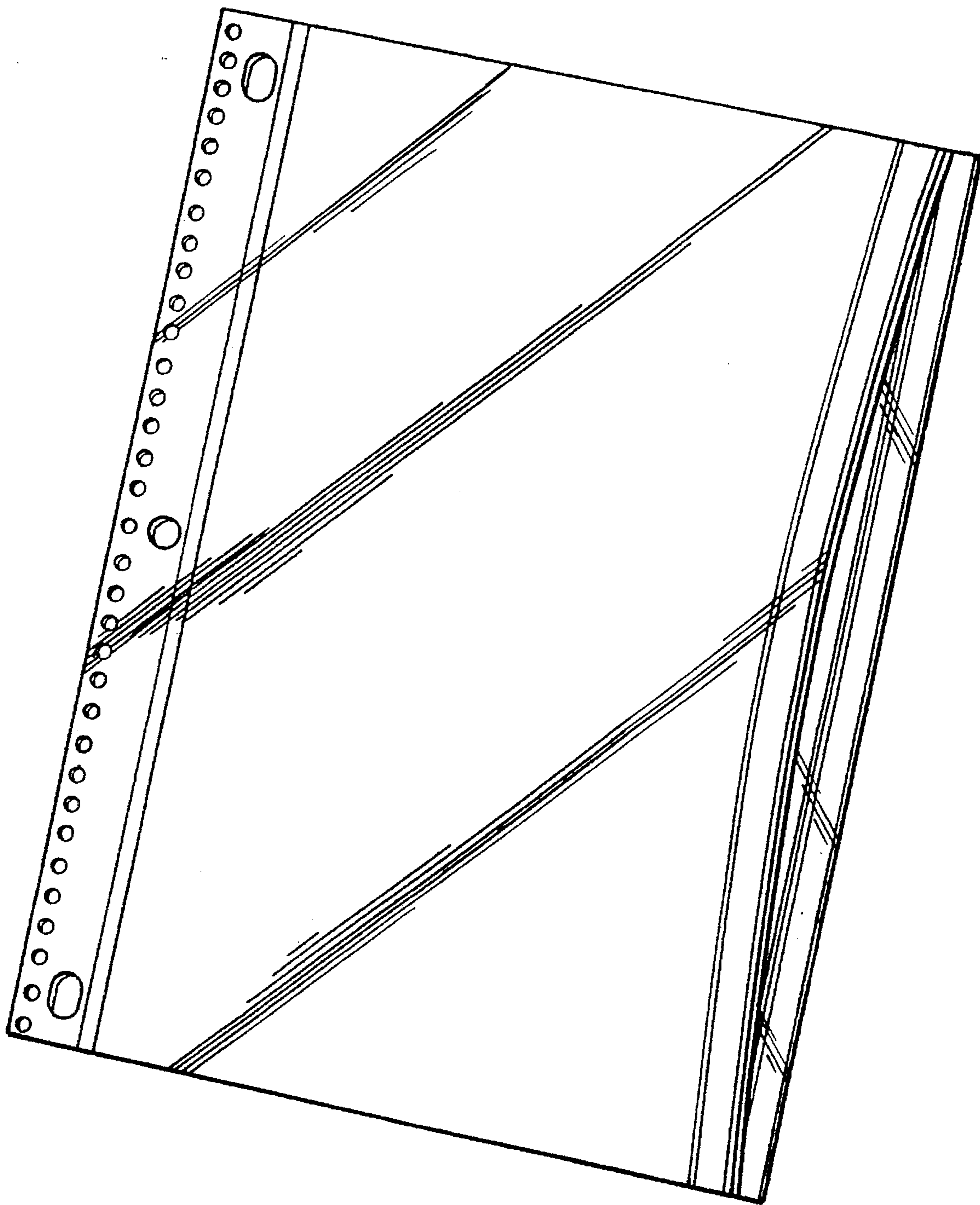


FIG. 1

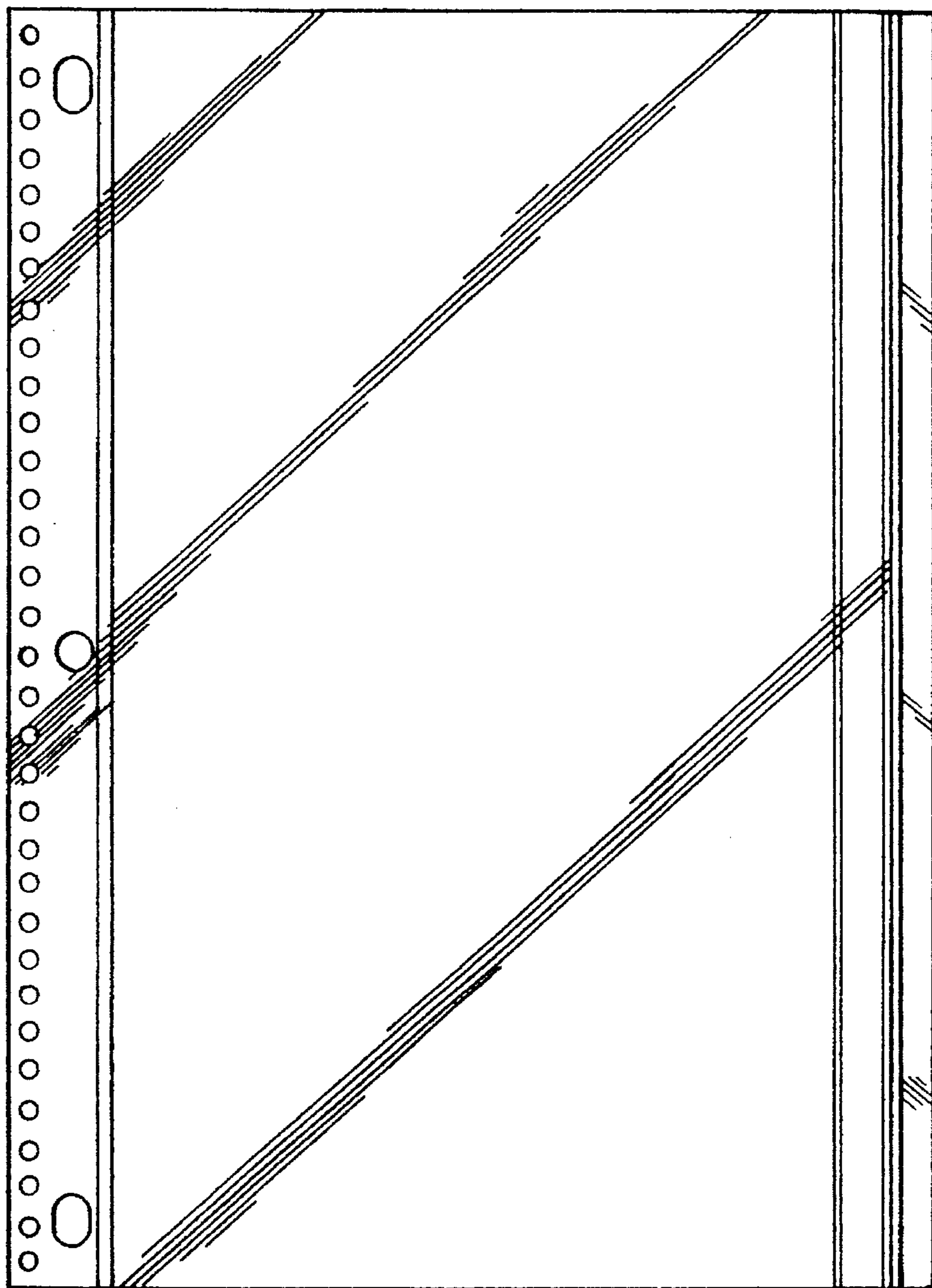


FIG. 2



FIG. 3

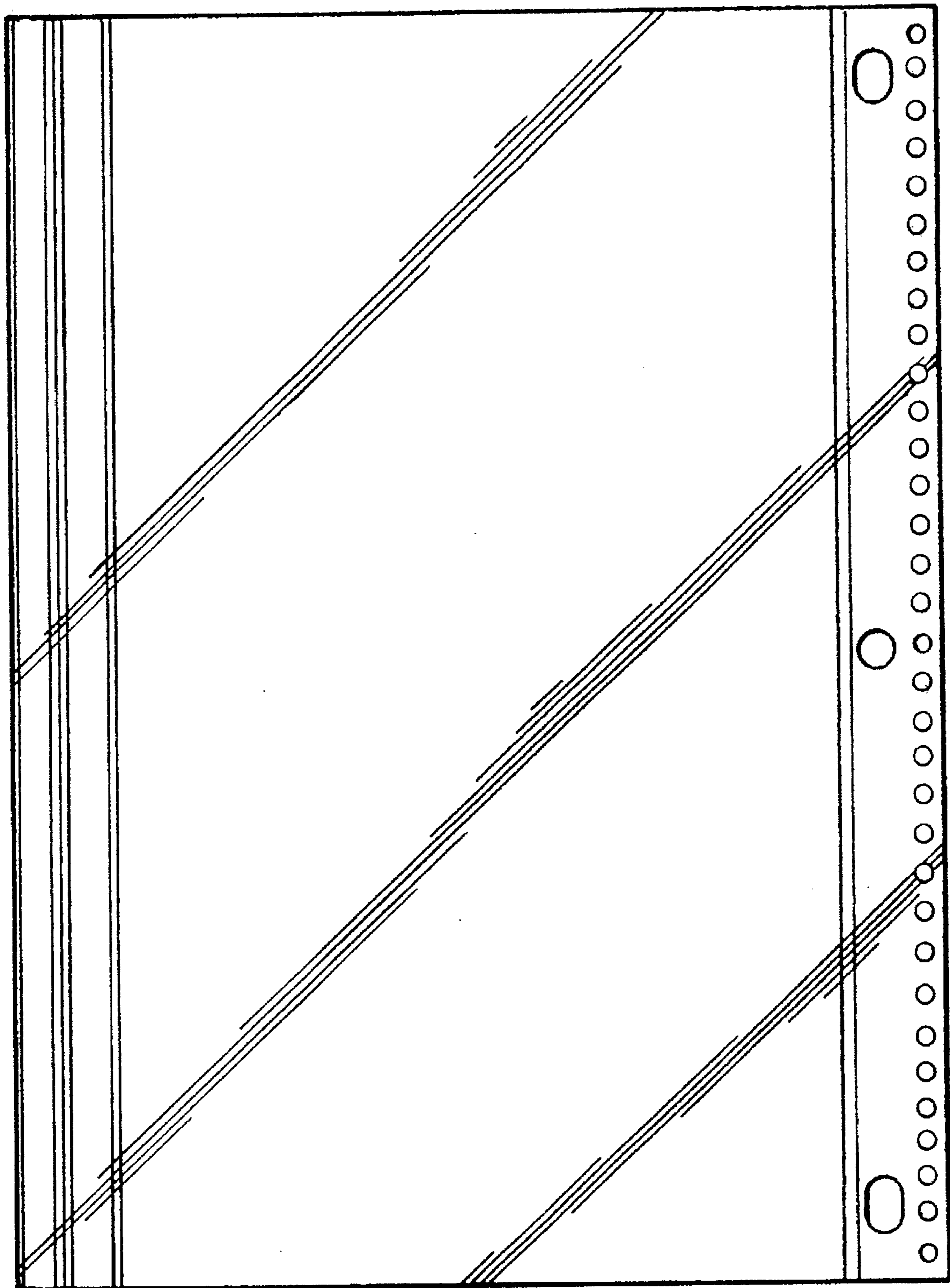


FIG. 4



FIG. 5



FIG. 6