



US00D378682S

# United States Patent [19]

Coley et al.

[11] Patent Number: **Des. 378,682**

[45] Date of Patent: **\*\*Apr. 1, 1997**

[54] **TRIPOD MOUNT FOR BINOCULARS**

[76] Inventors: **Malcolm S. Coley**, 956 Robertson Bridge Rd., Statham, Ga. 30666; **Phillip E. G. Owen**, Plot 1, Mount Hampden Harare, Zimbabwe

[\*\*] Term: **14 Years**

[21] Appl. No.: **48,954**

[22] Filed: **Jan. 16, 1996**

[52] U.S. Cl. .... **D16/136**

[58] Field of Search ..... D16/130-136; D8/349, 373-375; 248/205.2, 187, 105, 310; 359/407-408, 417, 404, 409, 429, 818; 224/901, 909; 351/156

[56] **References Cited**

**U.S. PATENT DOCUMENTS**

D. 247,297	2/1978	Adams	.....	D16/136
D. 344,967	3/1994	Webster	.....	D16/136
1,166,343	12/1915	Fielding	.....	359/408 X
2,990,089	6/1961	Nystrom	.....	224/901 X
3,281,106	10/1966	Bogdanovich	.....	248/205.2 X

3,383,738	5/1968	Fox et al.	.....	248/205.2 X
4,136,805	1/1979	Storms	.....	248/310 X
4,557,451	12/1985	Conway	.....	248/187
4,986,644	1/1991	Yang	.....	359/408 X
5,031,282	7/1991	Denaro	.....	248/205.2 X
5,221,991	6/1993	Webster	.....	359/408

*Primary Examiner*—B. J. Bullock  
*Assistant Examiner*—Stacia Sinuik  
*Attorney, Agent, or Firm*—Hopking & Thomas

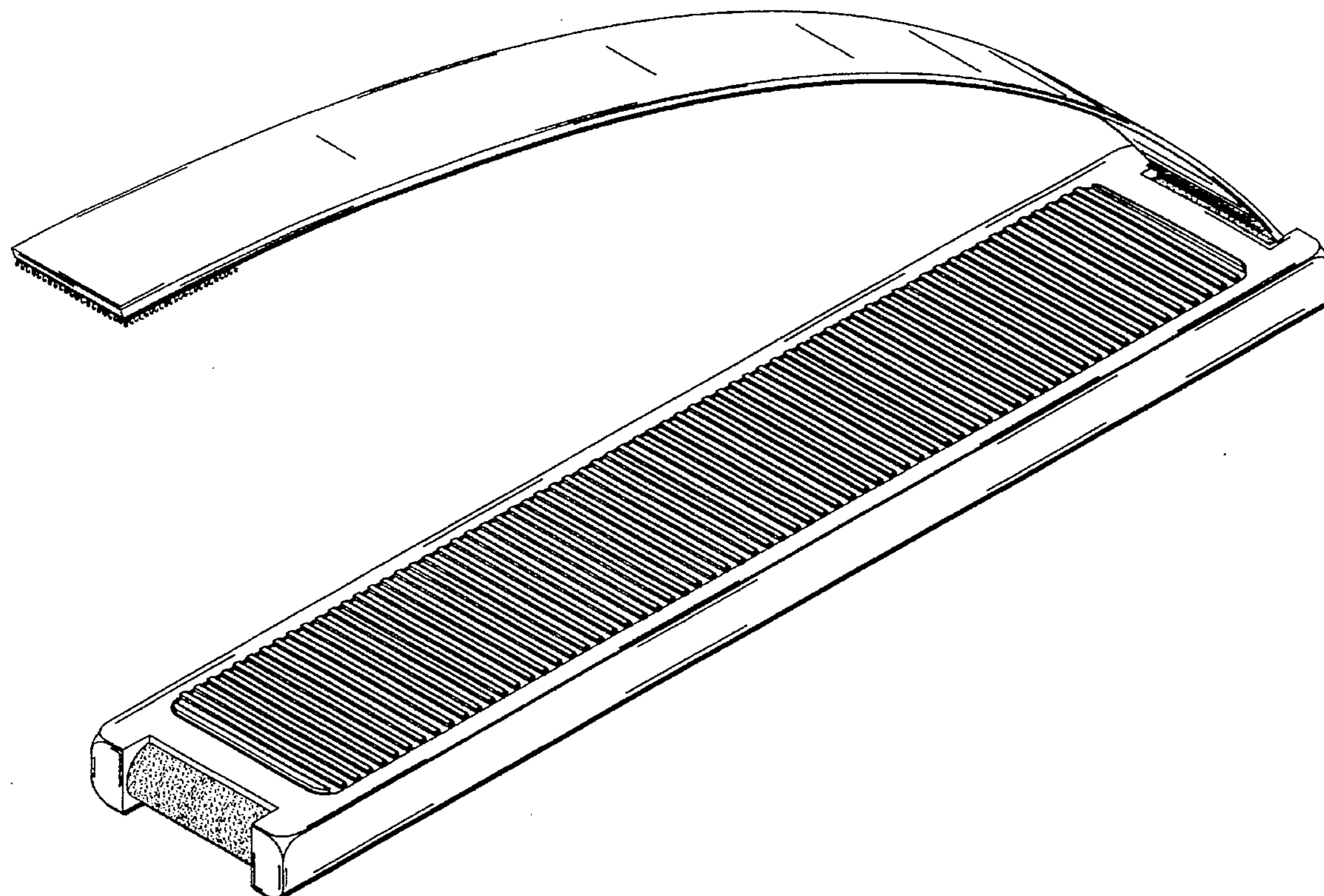
[57] **CLAIM**

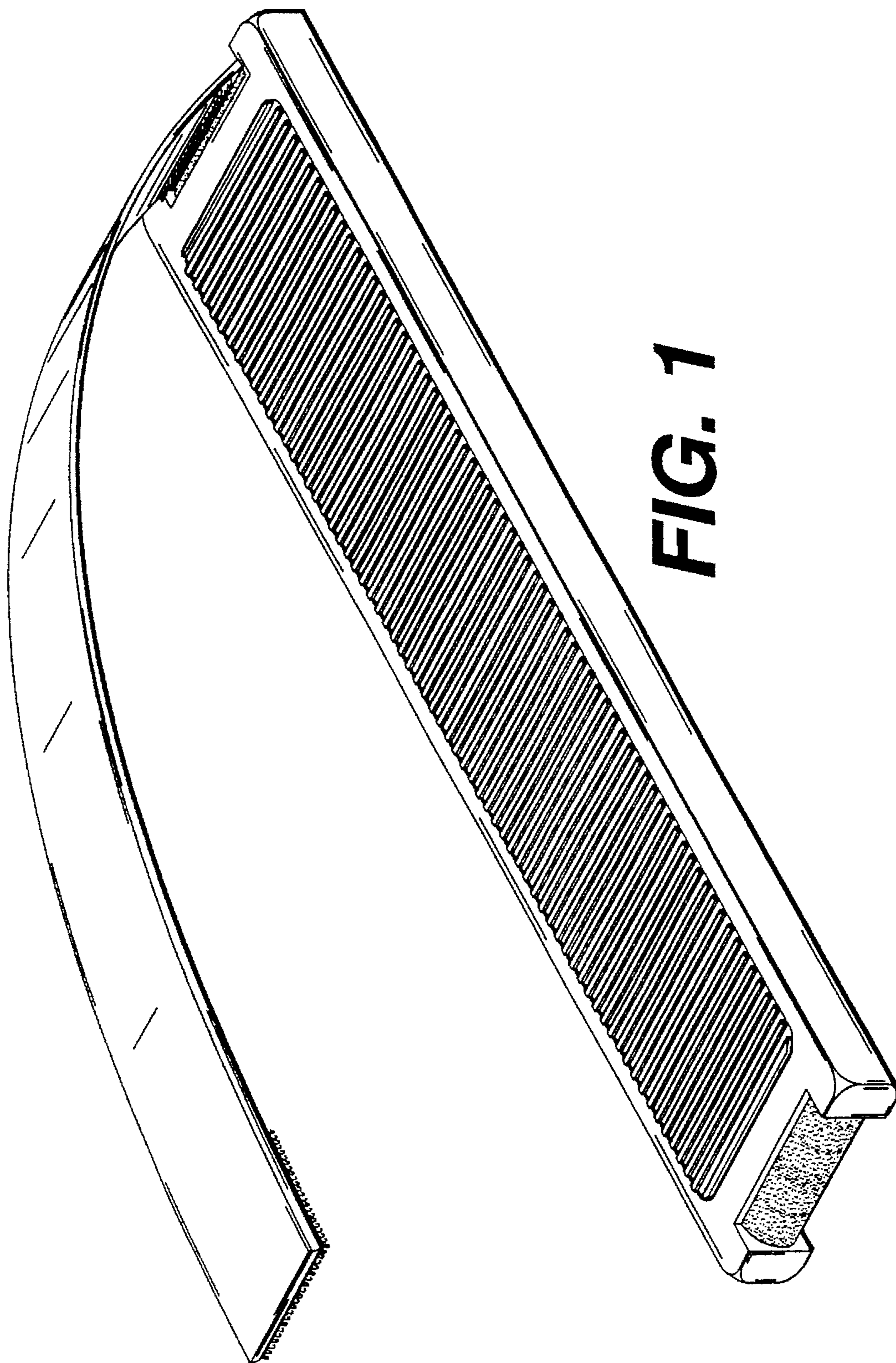
The ornamental design for a tripod mount for binoculars, as shown and described.

**DESCRIPTION**

FIG. 1 is a perspective view of my new design for a tripod mount for binoculars;  
FIG. 2 is a front view thereof, the back view being a mirror image thereof;  
FIG. 3 is a bottom view thereof;  
FIG. 4 is a left end view thereof;  
FIG. 5 is a right end view thereof; and,  
FIG. 6 is a top view thereof.

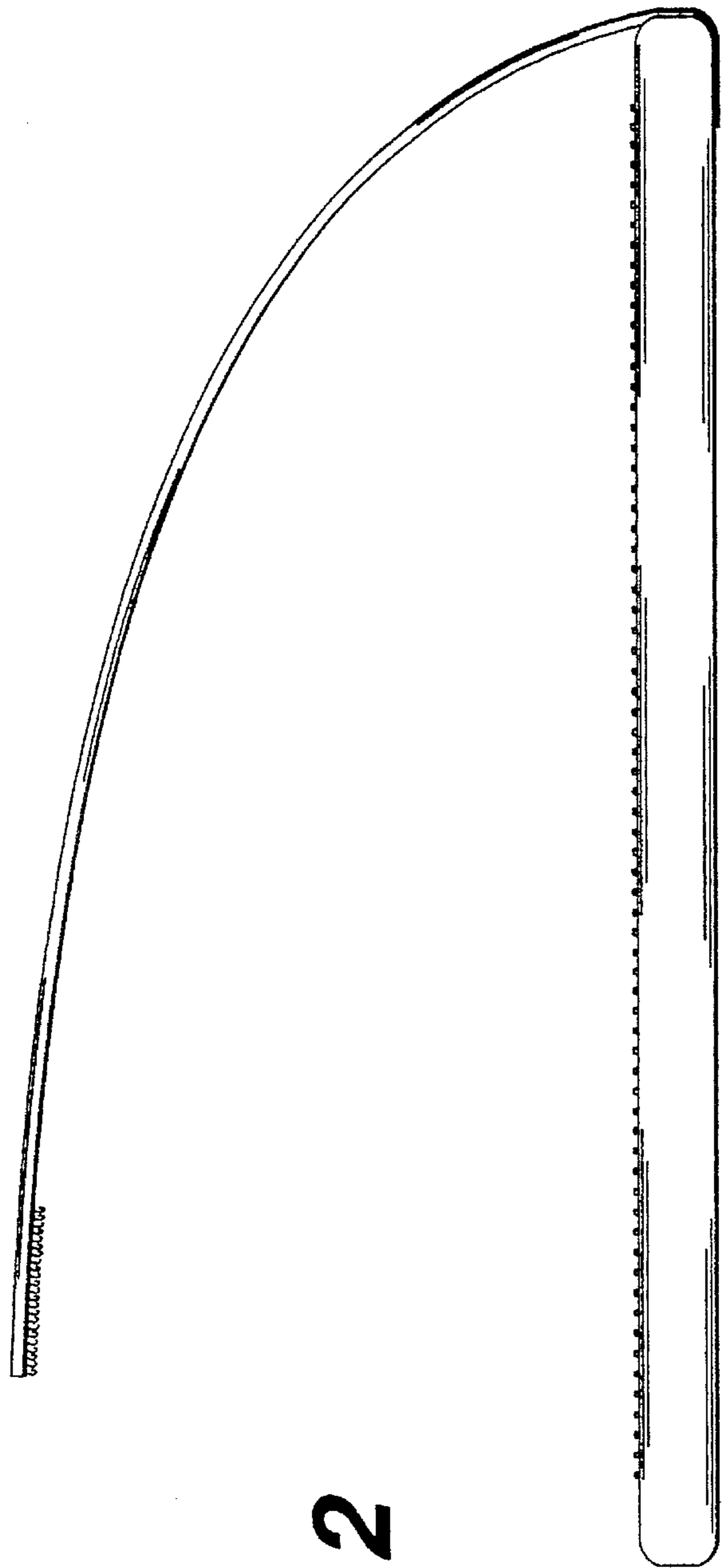
**1 Claim, 3 Drawing Sheets**



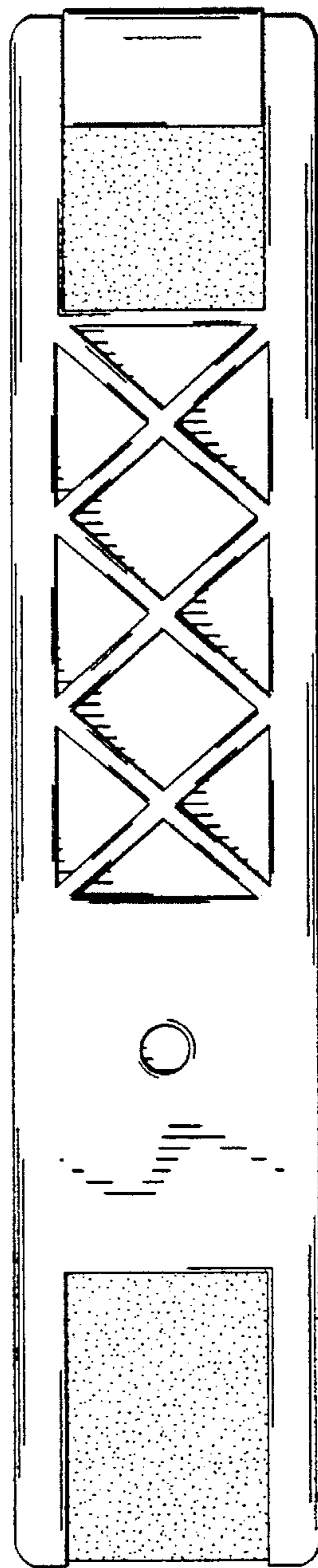


**FIG. 1**

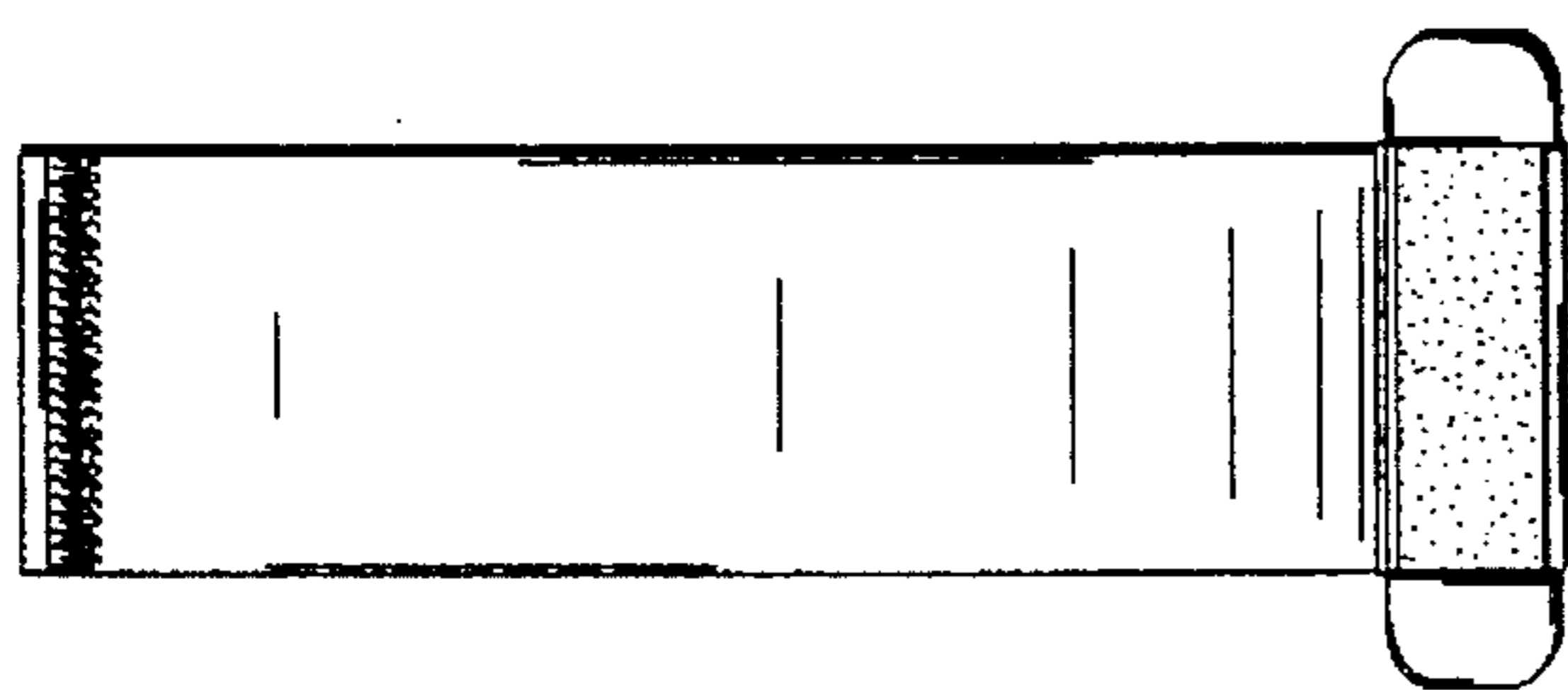




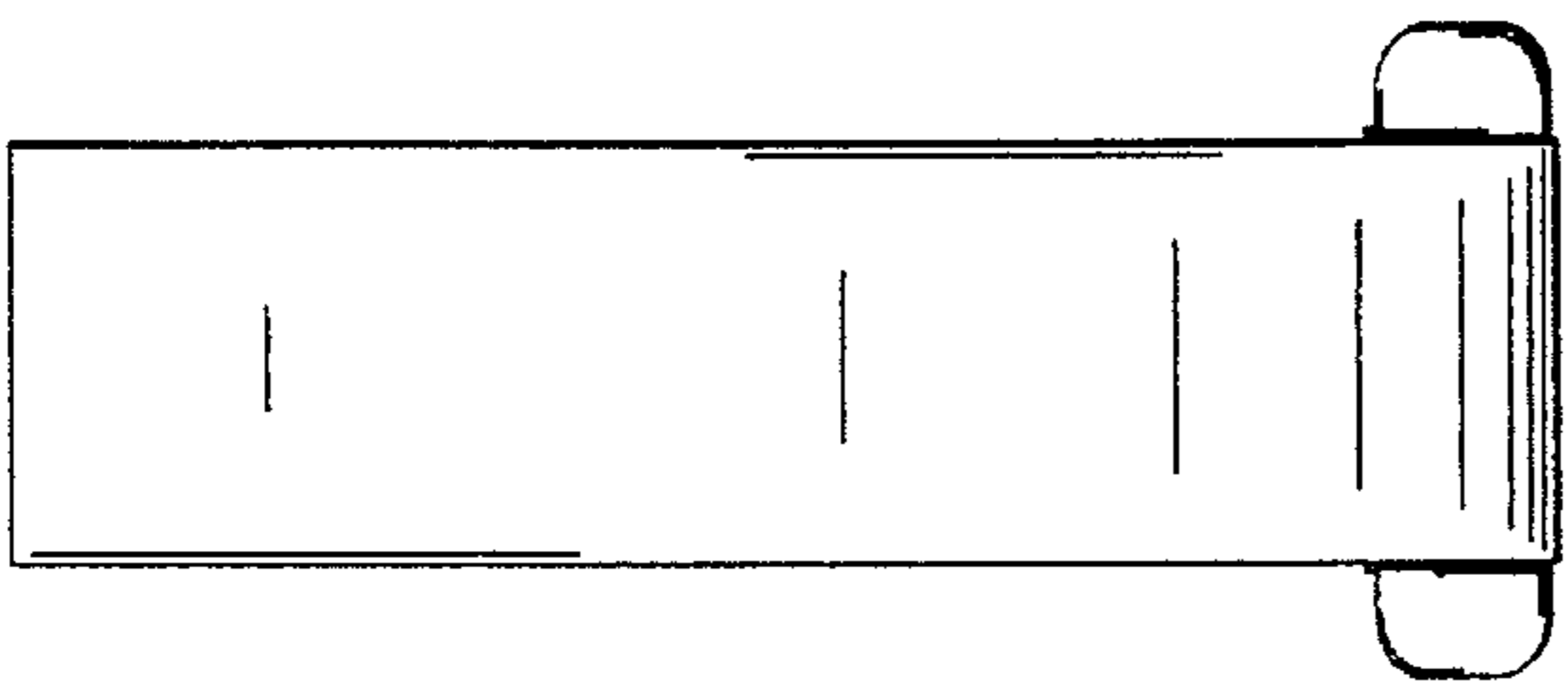
**FIG. 2**



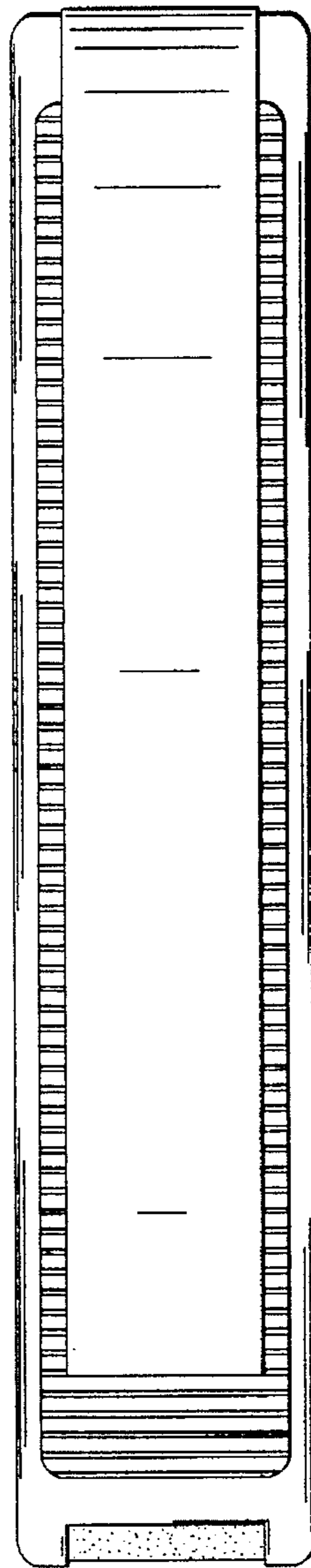
**FIG. 3**



**FIG. 4**



**FIG. 5**



**FIG. 6**