



US00D378681S

United States Patent [19]

[11] **Patent Number:** **Des. 378,681**

Beijen

[45] **Date of Patent:** ****Apr. 1, 1997**

[54] **POWER PRESS FOR PAPER CUTTING**

Primary Examiner—Antoine Duval Davis
Attorney, Agent, or Firm—Stephen D. Carver; Trent C. Keisling

[75] **Inventor:** **James H. Beijen**, Mountain Home, Ark.

[73] **Assignee:** **School Systems, Inc.**, Mountain Home, Ark.

[57] **CLAIM**

[**] **Term:** **14 Years**

The ornamental design for a power press for paper cutting, as shown.

[21] **Appl. No.:** **50,114**

DESCRIPTION

[22] **Filed:** **Feb. 8, 1996**

FIG. 1 is a front isometric view of my power press for paper cutting;

[52] **U.S. Cl.** **D15/127**

FIG. 2 is a rear isometric view;

[58] **Field of Search** D15/127; 83/29, 83/276, 277, 278, 281, 291, 449, 423, 417, 620, 687, 691, 635, 859

FIG. 3 is a left elevational view;

FIG. 4 is a front elevational view;

FIG. 5 is a rear elevational view;

FIG. 6 is a right elevational view;

FIG. 7 is a top plan view; and,

FIG. 8 is a bottom plan view.

[56] **References Cited**

U.S. PATENT DOCUMENTS

4,581,967 4/1986 Ehm et al. 83/452

1 Claim, 4 Drawing Sheets

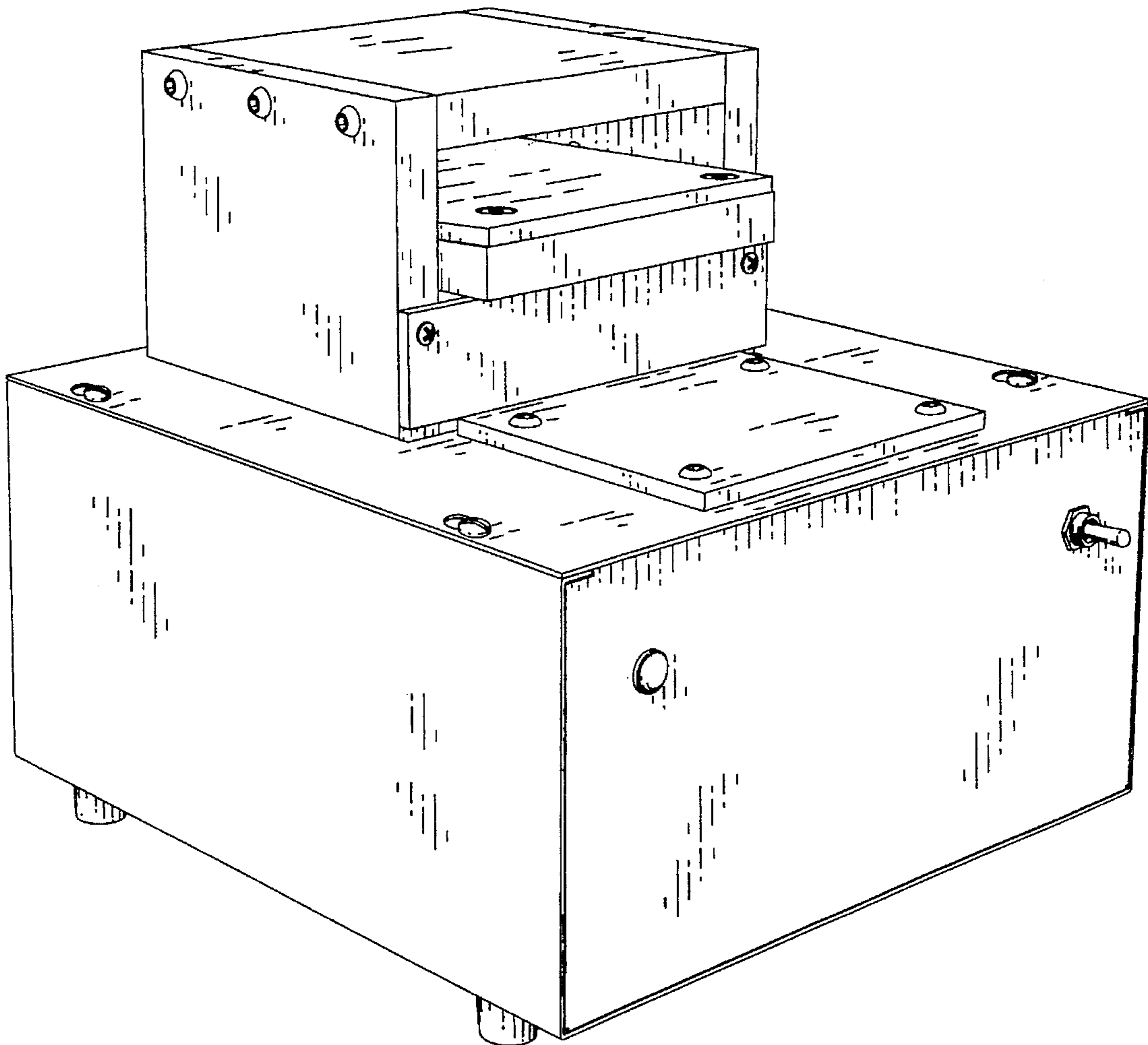


FIG. 1

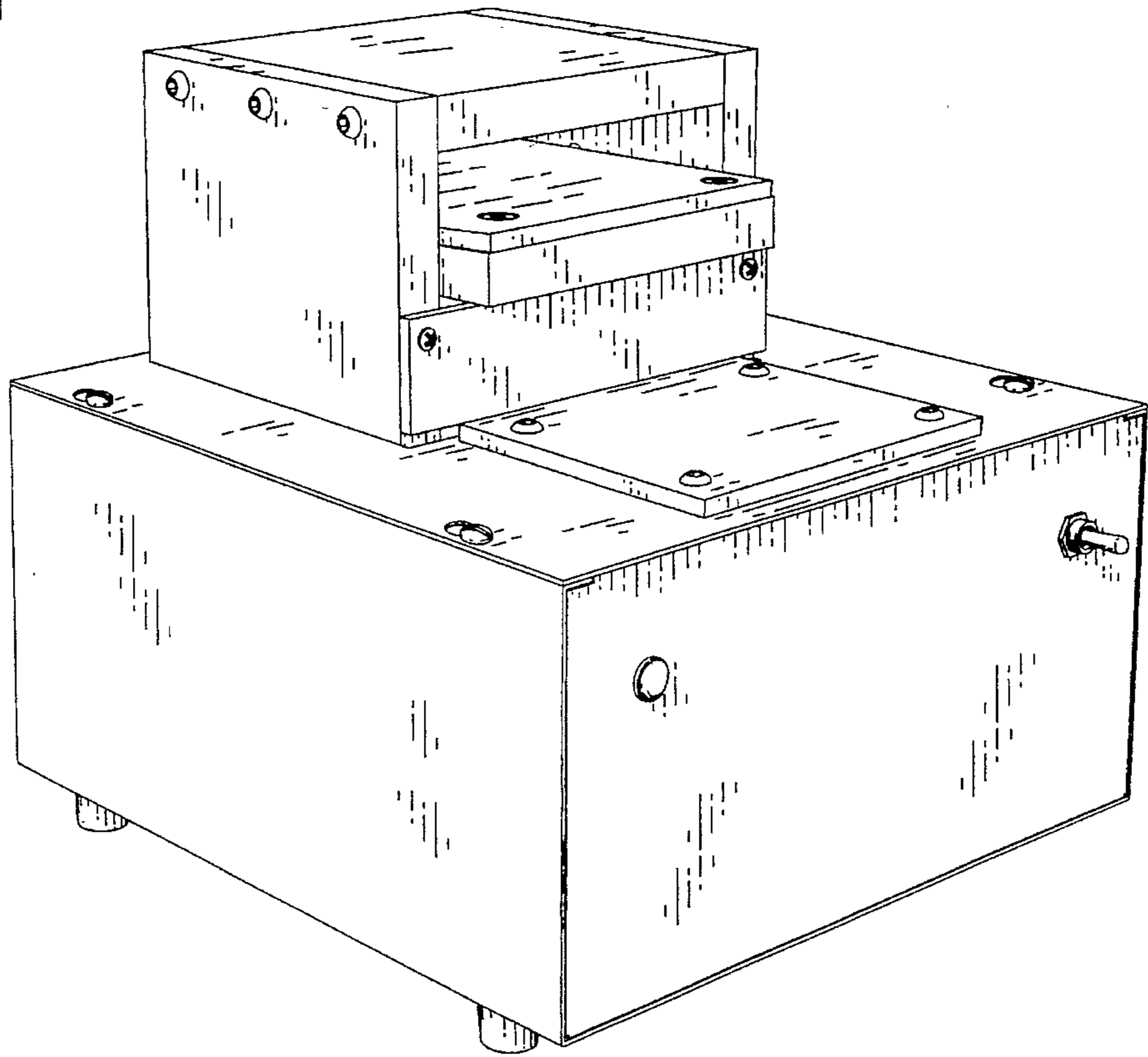


FIG. 2

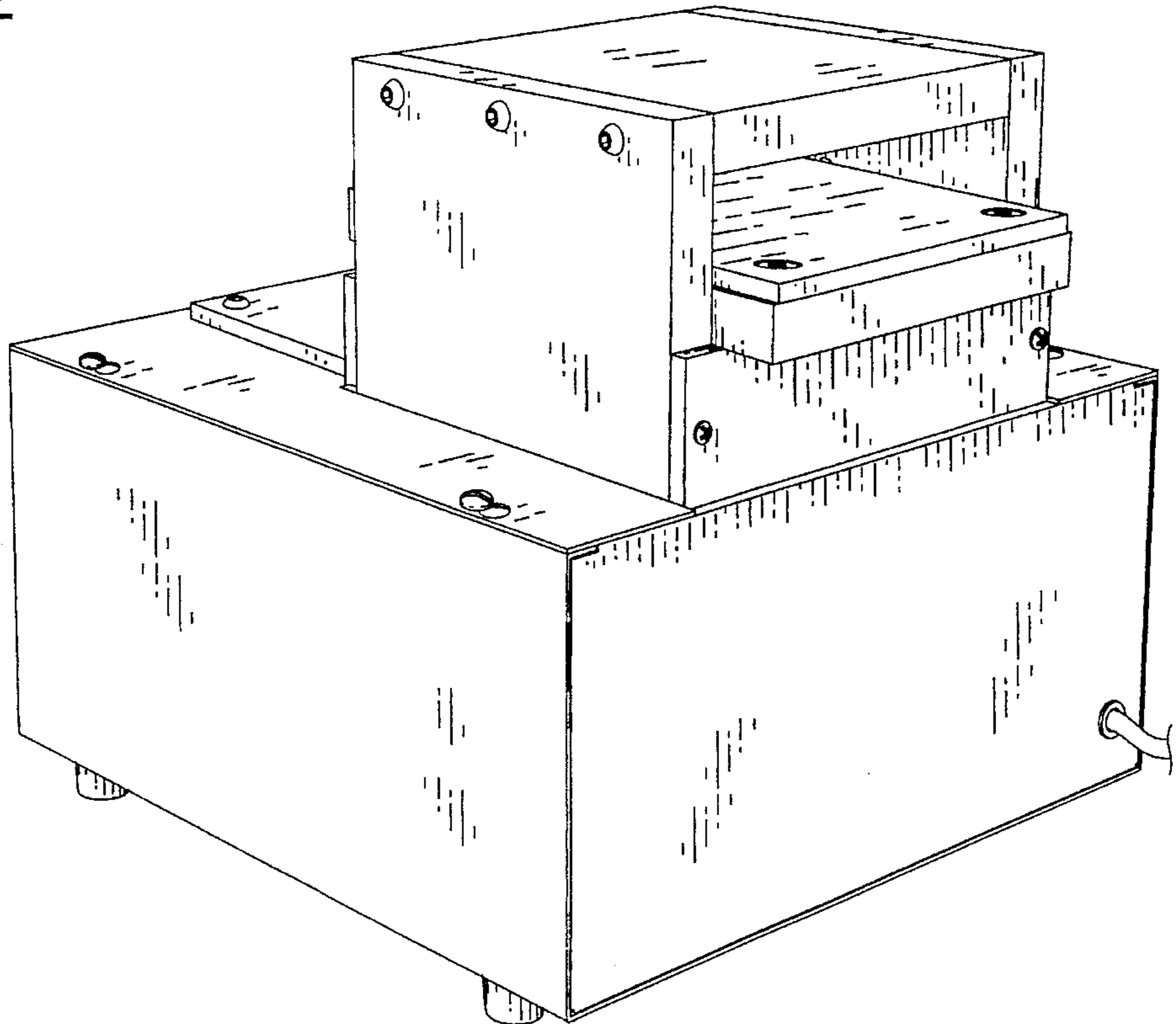


FIG. 3

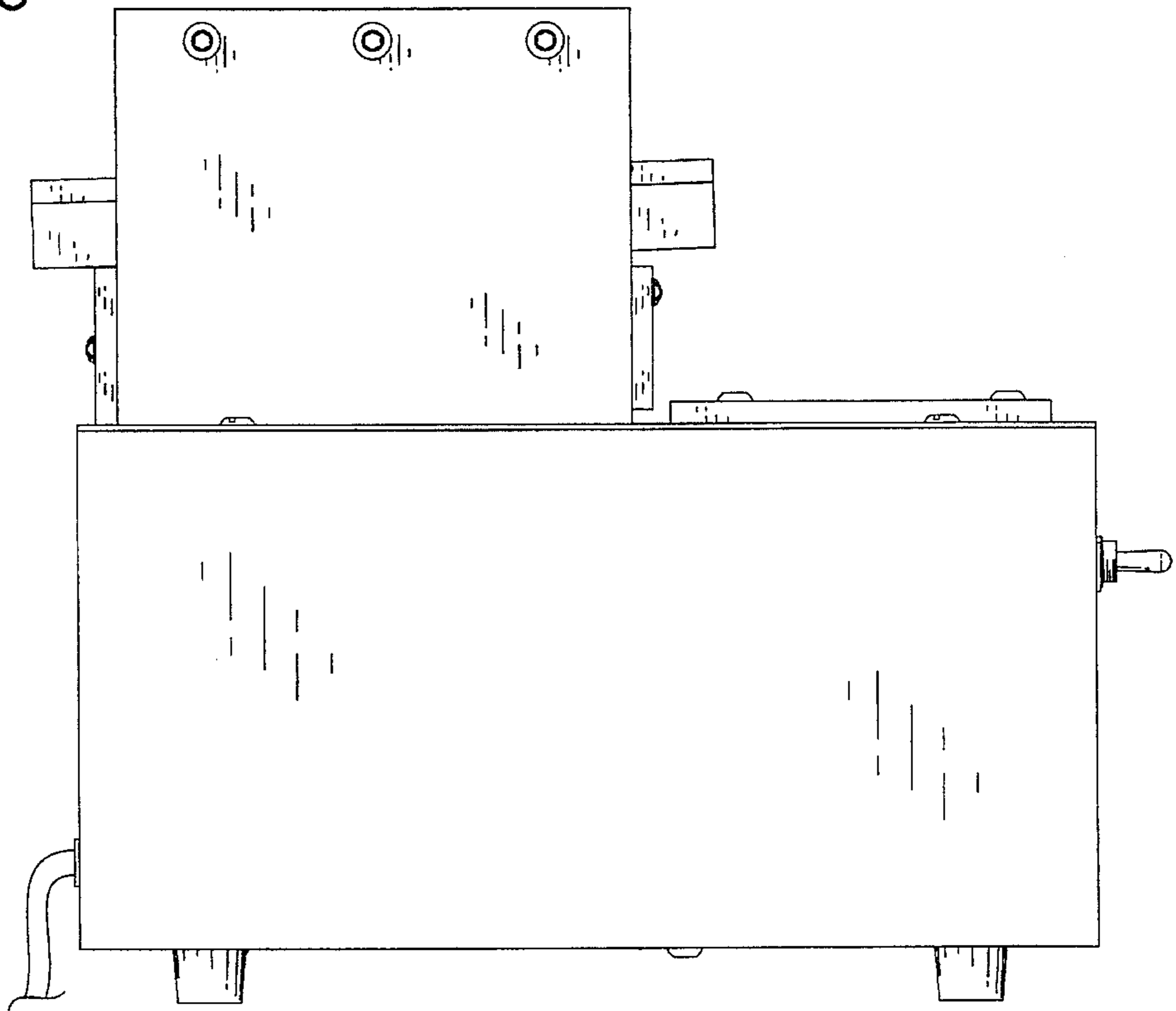


FIG. 4

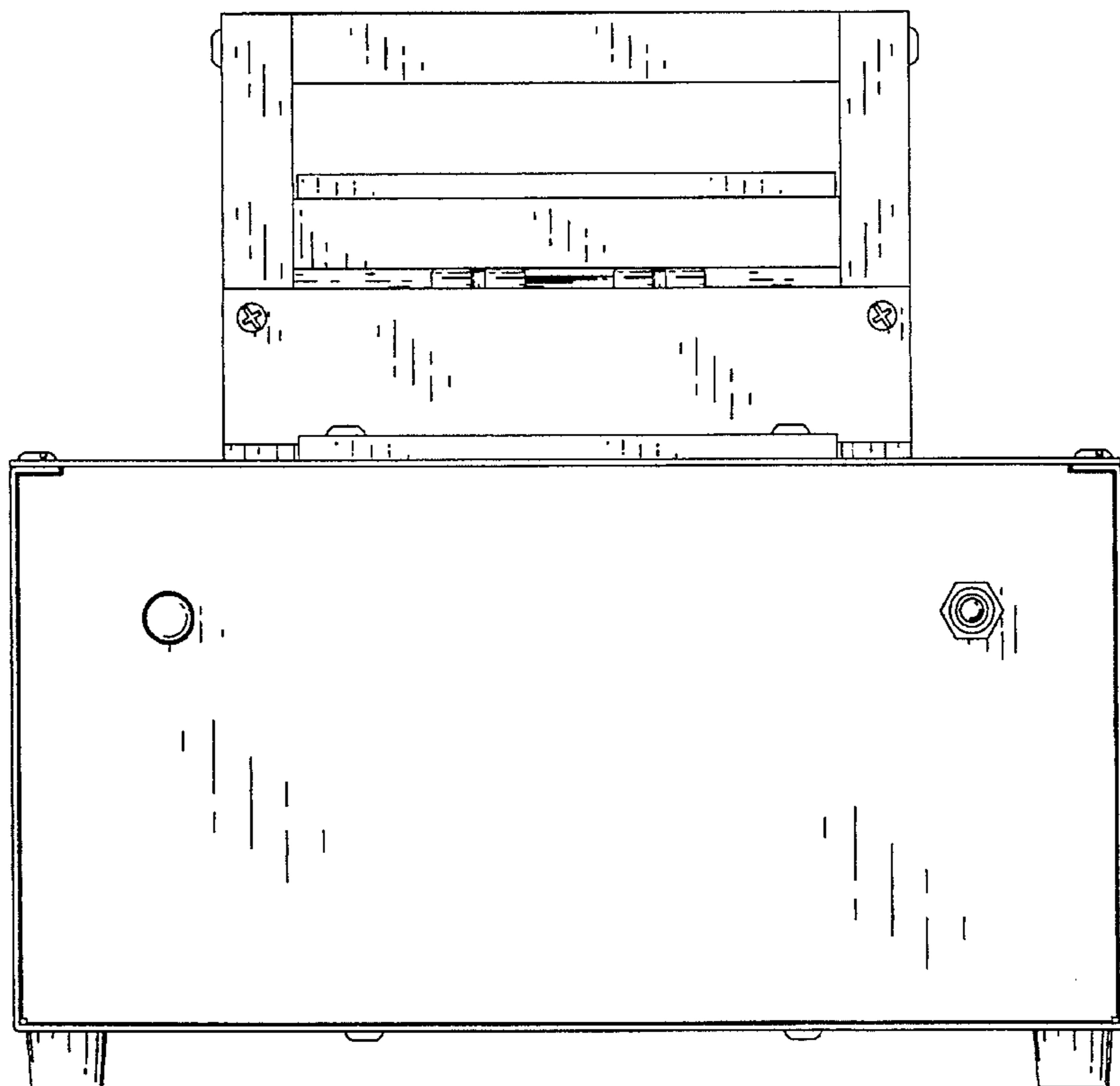


FIG. 5

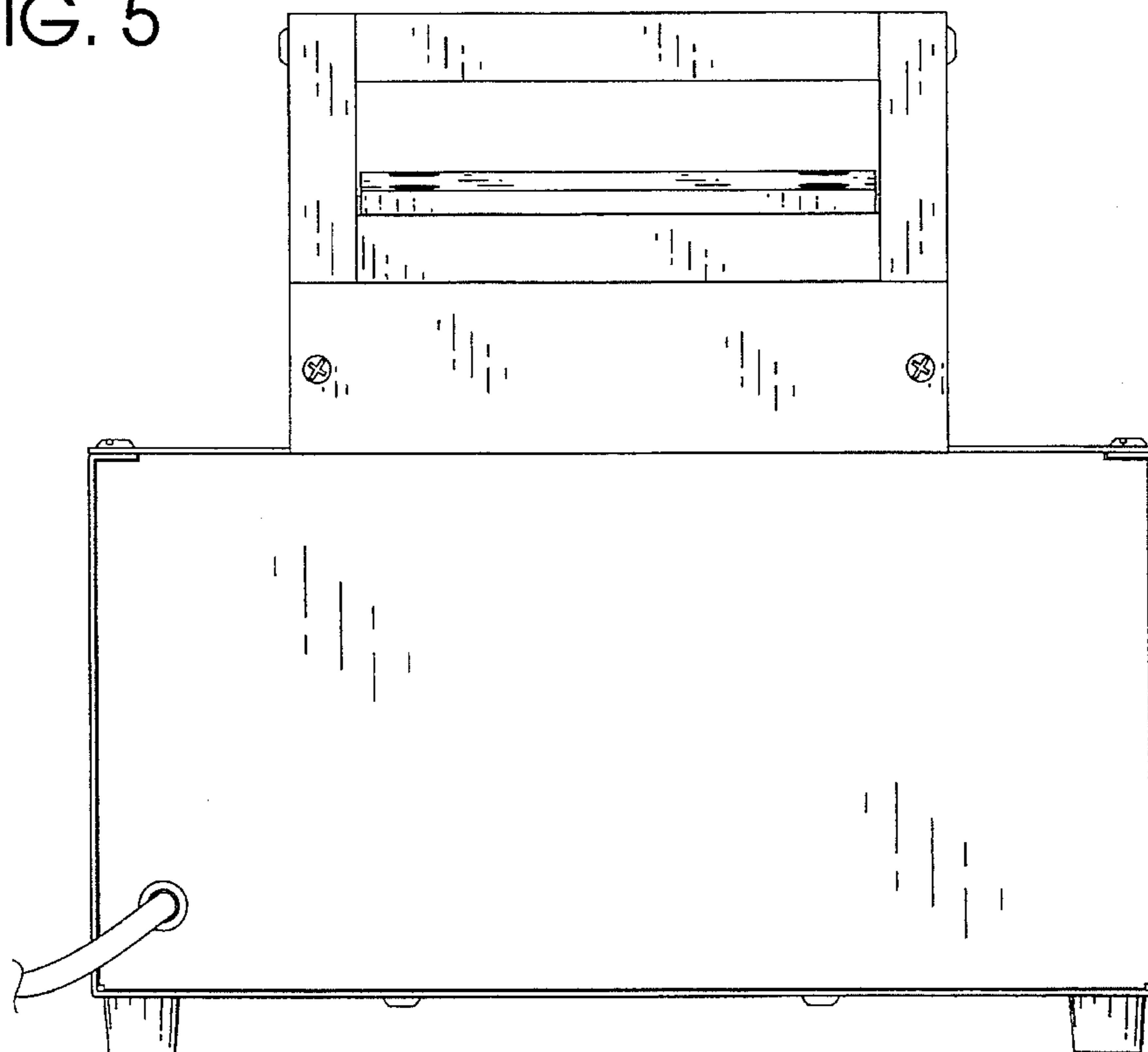


FIG. 6

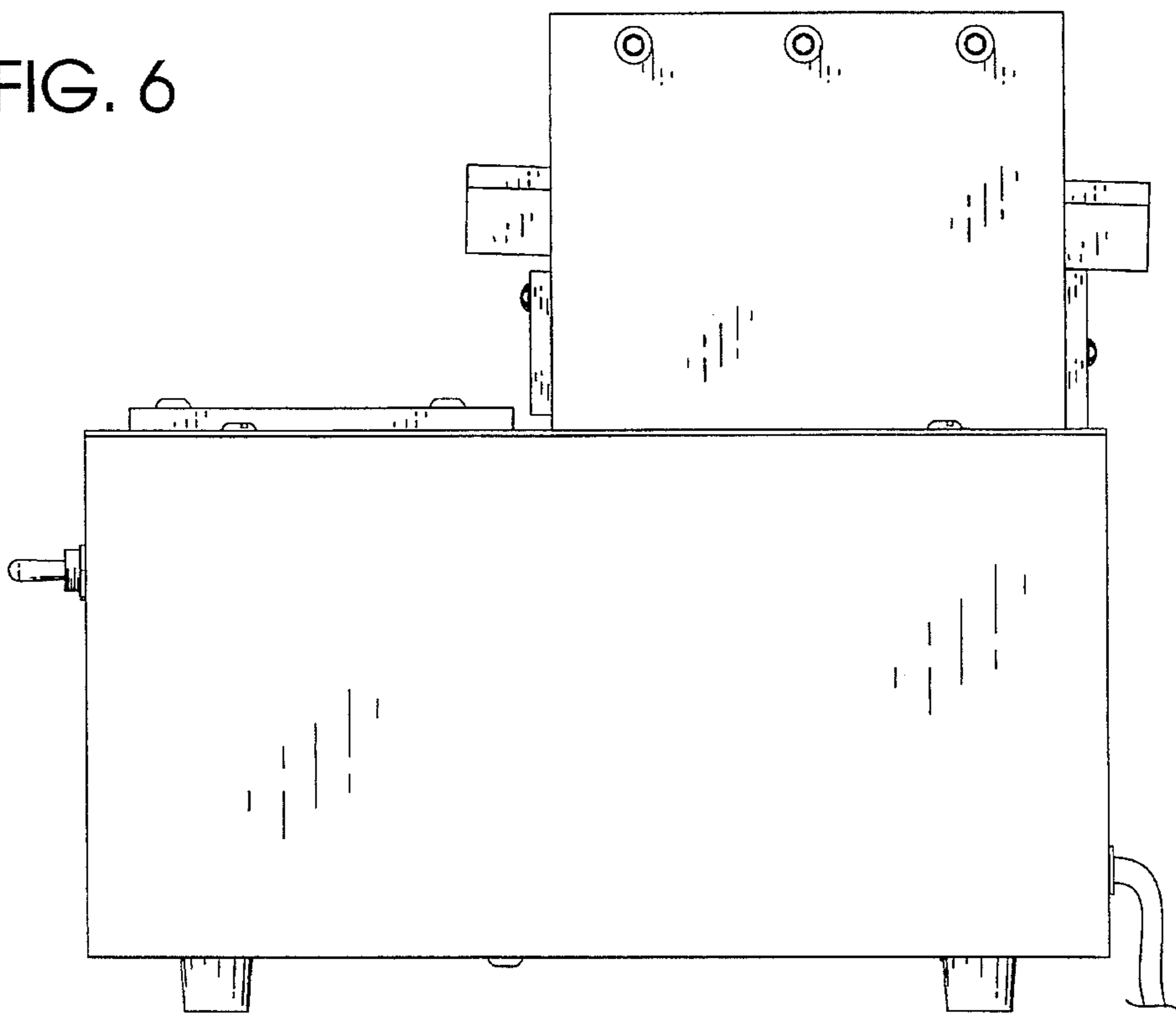


FIG. 7

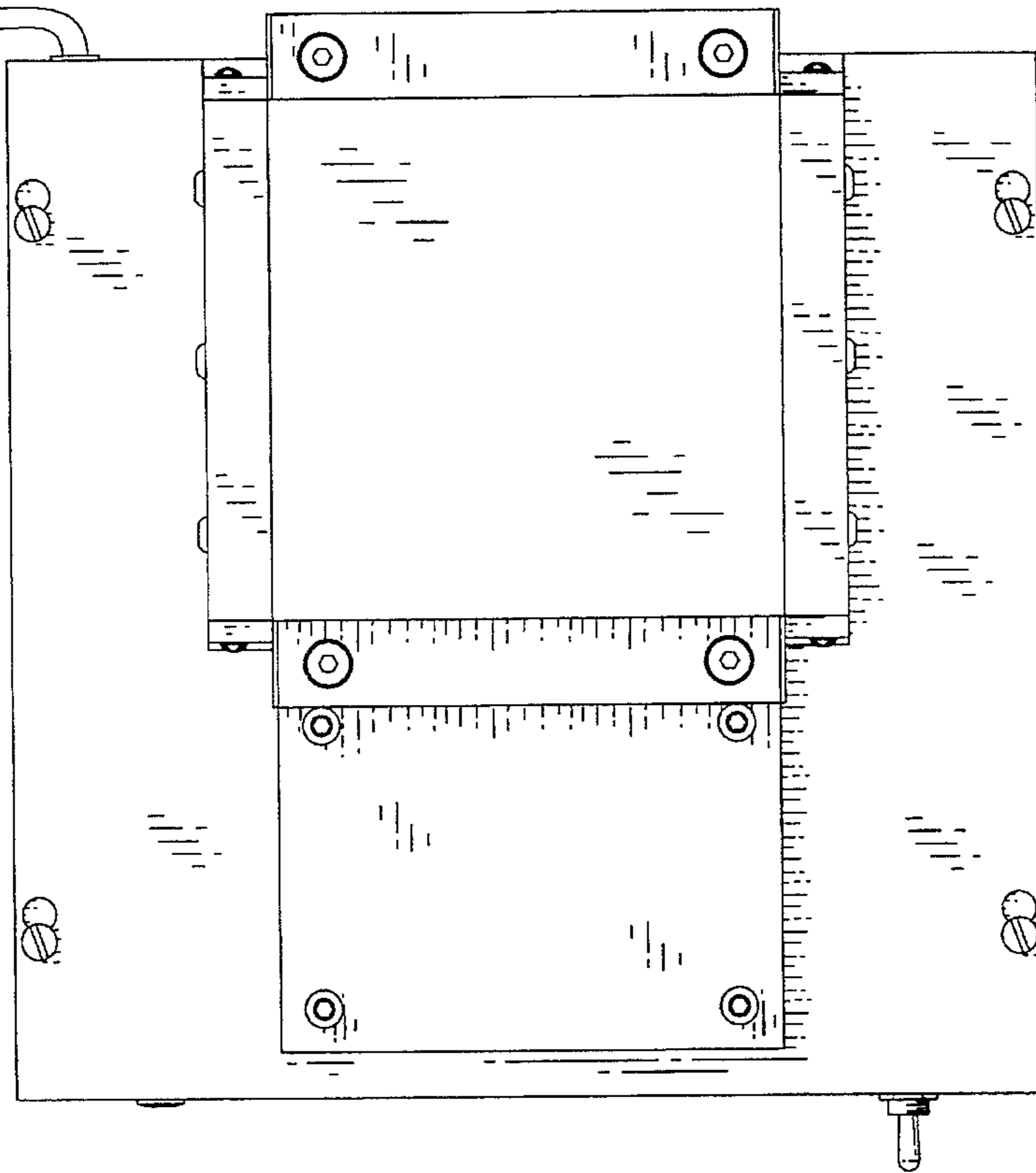


FIG. 8

