



US00D378676S

United States Patent [19]

[11] Patent Number: **Des. 378,676**

Goodman et al.

[45] Date of Patent: ****Apr. 1, 1997**

[54] **HOLDER FOR PORTABLE COMPUTING DEVICE**

5,226,540 7/1993 Bradbury 206/576

FOREIGN PATENT DOCUMENTS

[75] Inventors: **Walter A. Goodman**, Binghamton, N.Y.; **Frank V. Grebe**, Racine, Wis.; **Charles R. Hatton**, Endicott, N.Y.; **David J. Podmajersky**, Johnson City, N.Y.; **John H. Sherman**, Glen Aubrey, N.Y.; **Paul A. Wormsbecher**, Endwell, N.Y.

2606609 11/1986 France A45C 3/02
2652243 8/1989 France A45C 11/00
2664138 7/1990 France A45C 11/00
2176322 6/1985 United Kingdom G06F 13/38

OTHER PUBLICATIONS

IBM Technical Disclosure Bulletin, vol. 37, No. 07, Jul. 1994, "Carrying Case for a Tablet Computer", G. J. Battiloro et al., pp. 115-116.
O'Neil Product Development, Inc., "O'Neil Portable Docking Stations" (Date Unknown).

[73] Assignee: **International Business Machines Corporation**, Armonk, N.Y.

[**] Term: **14 Years**

Primary Examiner—M. H. Tung
Attorney, Agent, or Firm—Lawrence R. Fraley

[21] Appl. No.: **28,204**

[22] Filed: **Sep. 9, 1994**

[57] CLAIM

[52] U.S. Cl. **D14/114**

The ornamental design for a holder for portable computing device, as shown and described.

[58] **Field of Search** D14/100, 114;
D6/449, 491, 445, 396, 512, 495; 248/125,
127, 133, 178-9, 183, 188.1, 188.2, 346.01,
371, 917-24; 200/5 R, 5 A, 6 R, 6 A; 361/679-85;
D13/184, 199

DESCRIPTION

[56] References Cited

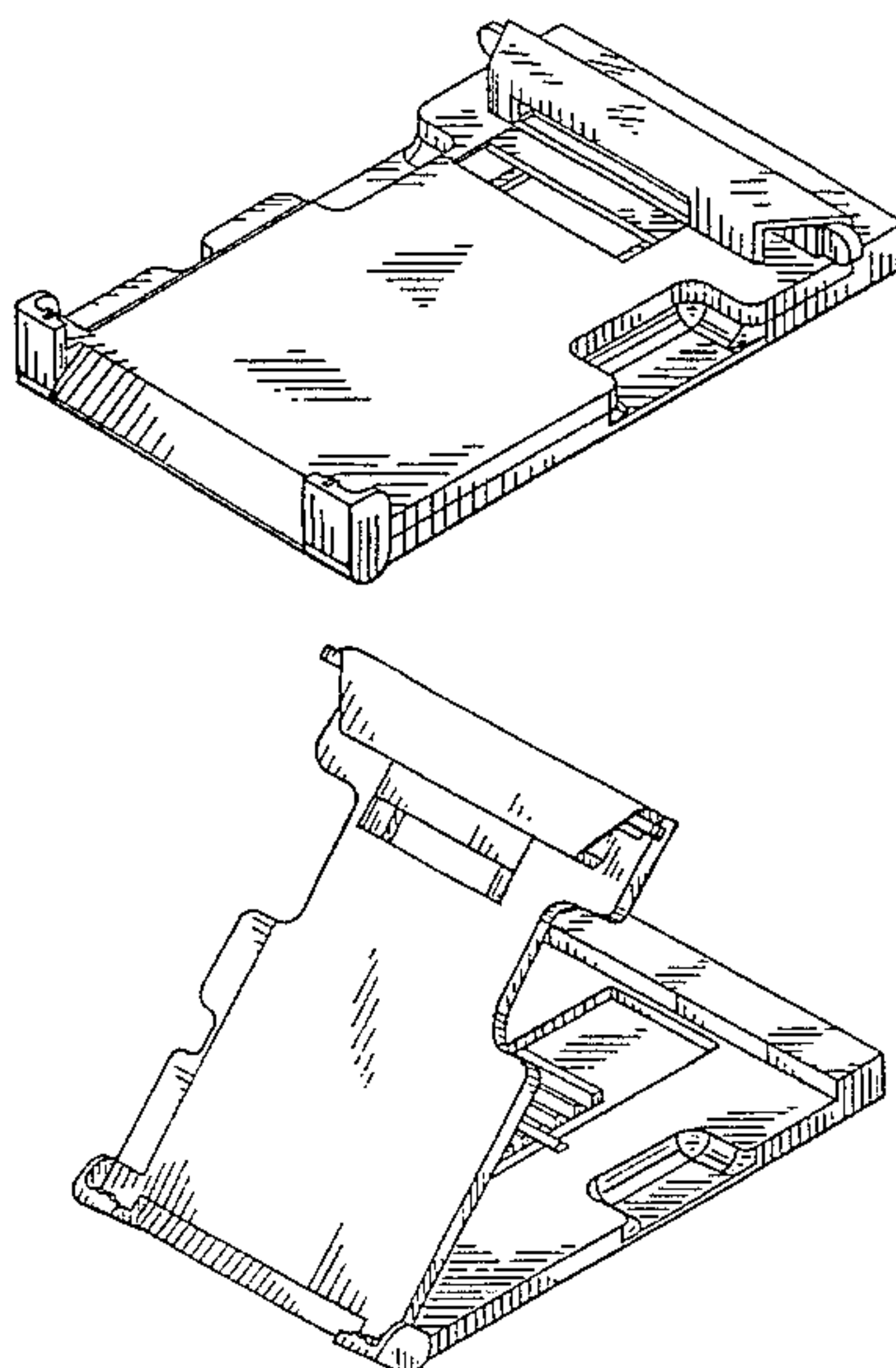
U.S. PATENT DOCUMENTS

| | | | |
|------------|---------|-------------------------|-----------|
| D. 305,330 | 1/1990 | Walters, II et al. | D14/114 |
| D. 314,567 | 2/1991 | Ichitsubo | D14/114 |
| D. 323,085 | 1/1992 | Konkel | D14/114 X |
| D. 334,924 | 4/1993 | Crawford et al. | D14/114 X |
| D. 345,969 | 4/1994 | McKnight et al. | D14/114 |
| D. 358,144 | 5/1995 | Masaaki | D14/114 |
| D. 361,990 | 9/1995 | Merino | D14/114 |
| D. 362,243 | 9/1995 | Spechts et al. | D14/114 |
| 4,667,299 | 5/1987 | Dunn | 364/708 |
| 4,736,332 | 4/1988 | Crease | 364/708 |
| 4,790,431 | 12/1988 | Reel et al. | 206/305 |
| 4,837,590 | 6/1989 | Sprague | 346/145 |
| 4,896,776 | 1/1990 | Kabanuk et al. | 206/576 |
| 4,929,948 | 5/1990 | Holmberg | 340/407 |
| 5,212,628 | 5/1993 | Bradbury | 361/395 |
| 5,214,574 | 5/1993 | Chang | 361/393 |

FIG. 1 is a rear perspective view of a holder for a portable computing device;
FIG. 2 is a top plan view thereof;
FIG. 3 is a side elevational view thereof;
FIG. 4 is a rear elevational view thereof;
FIG. 5 is a front elevational view thereof;
FIG. 6 is a bottom plan view thereof;
FIG. 7 is a front perspective view thereof, showing the invention in a partially open position;
FIG. 8 is a rear perspective thereof, showing the invention in a partially open position; and,
FIG. 9 is a front elevational view of the partially open structure of FIG. 7.

The holder for portable computing device as shown herein is adapted for use in a fully closed position (as in FIG. 1) or in a fully open position. One example of a partially open position is illustrated in FIGS. 7 and 8.

1 Claim, 4 Drawing Sheets



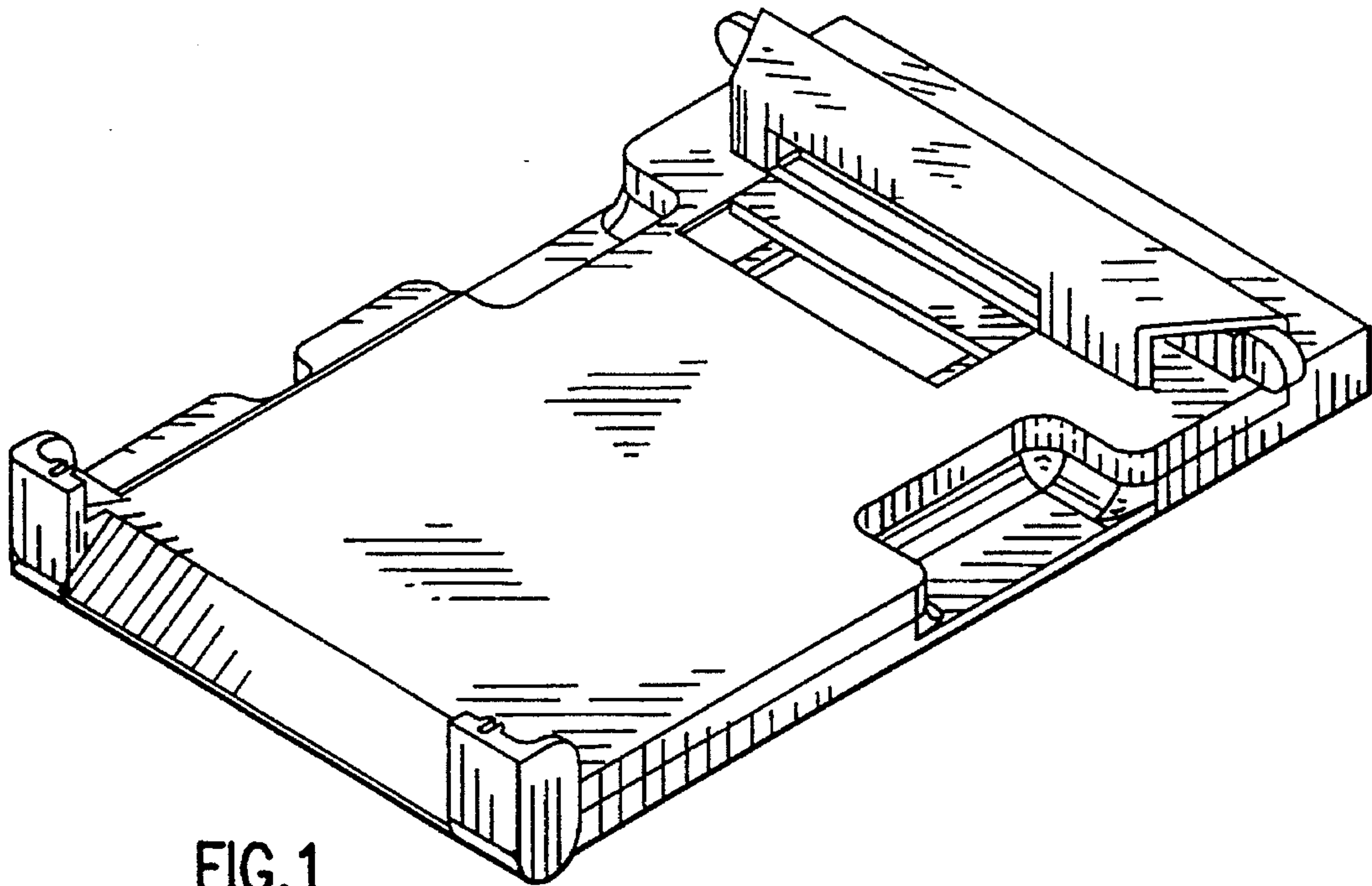


FIG. 1

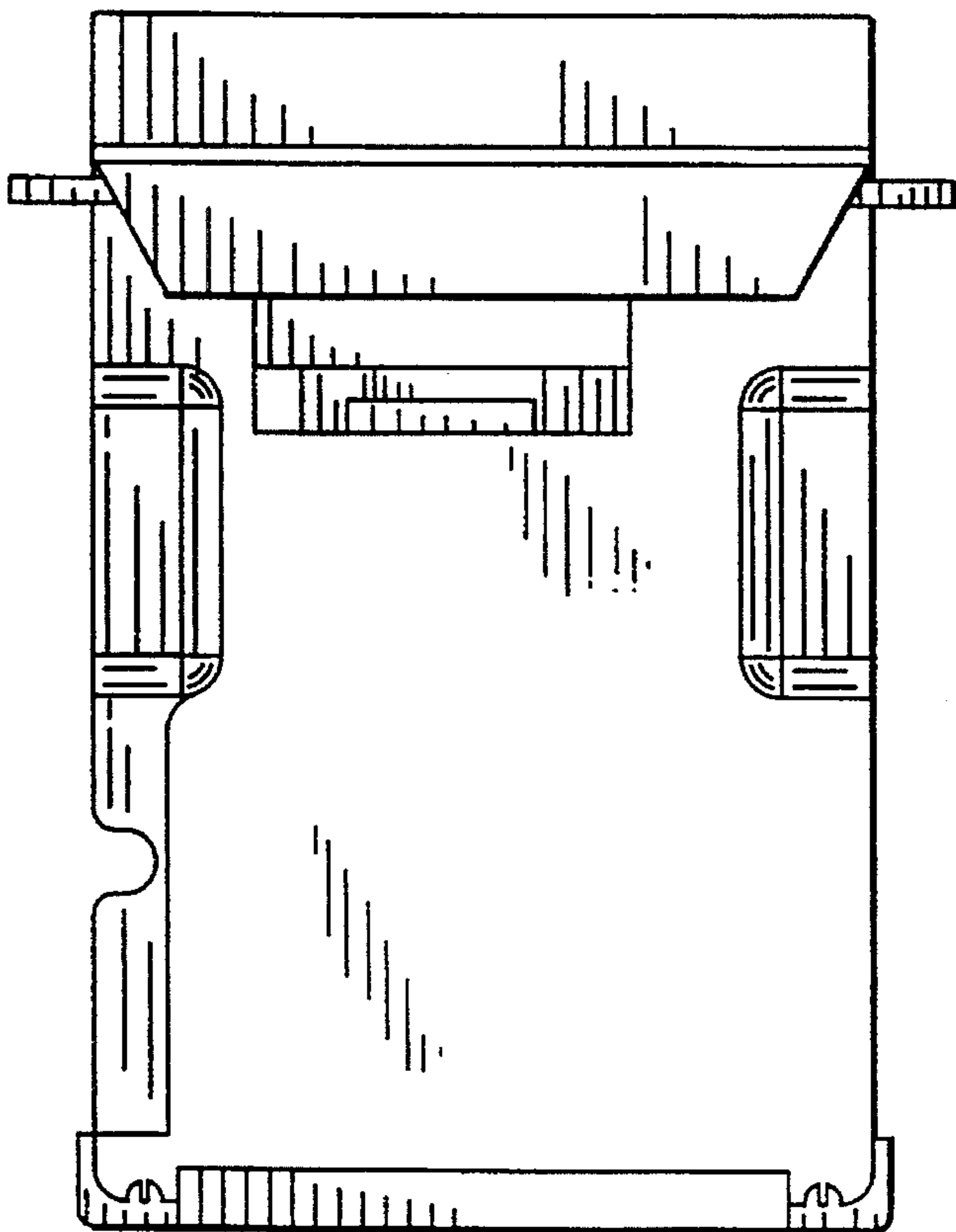


FIG. 2

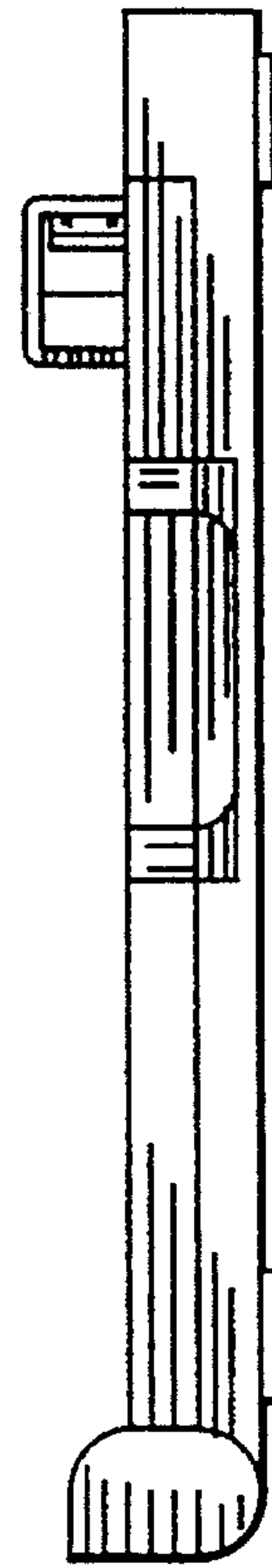


FIG. 3

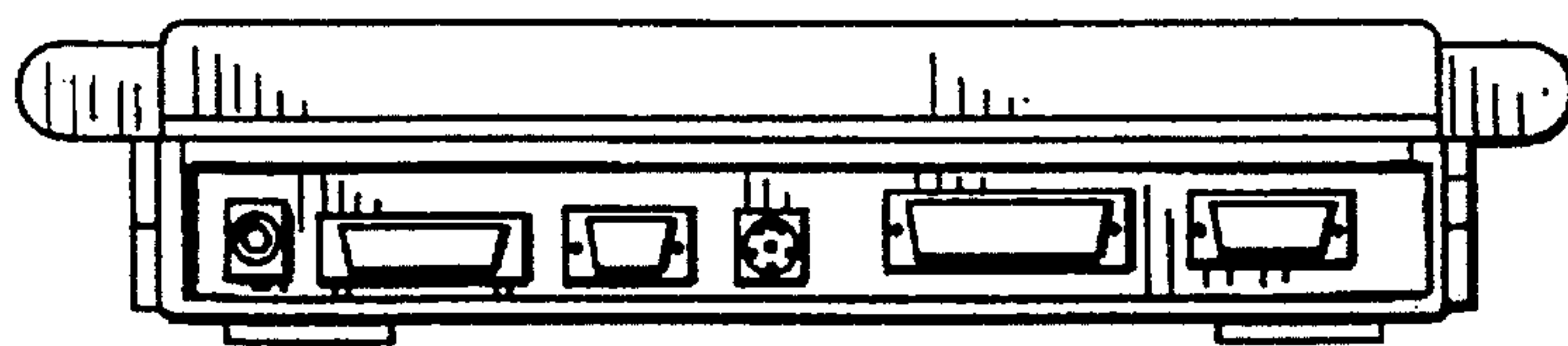


FIG. 5

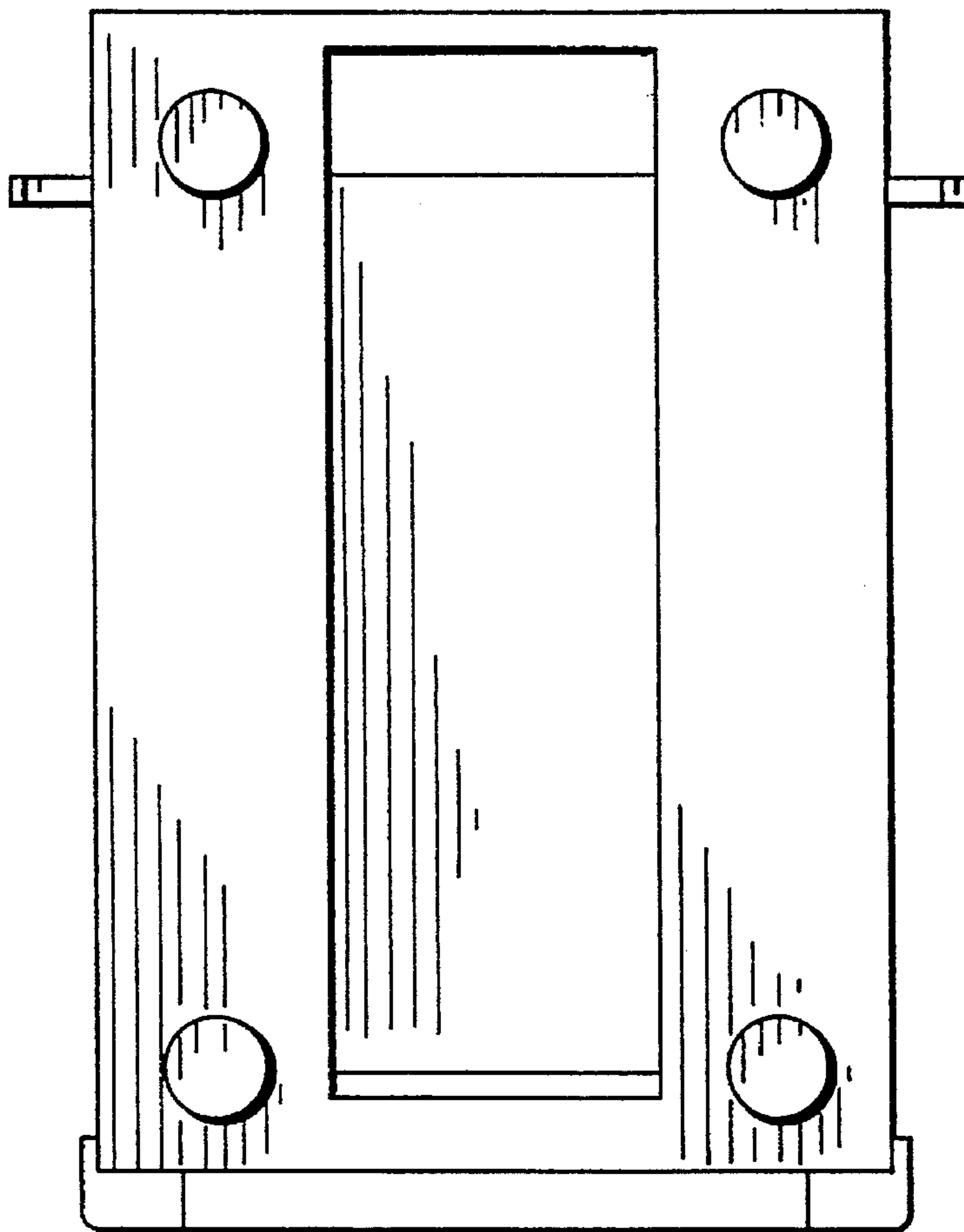


FIG. 6

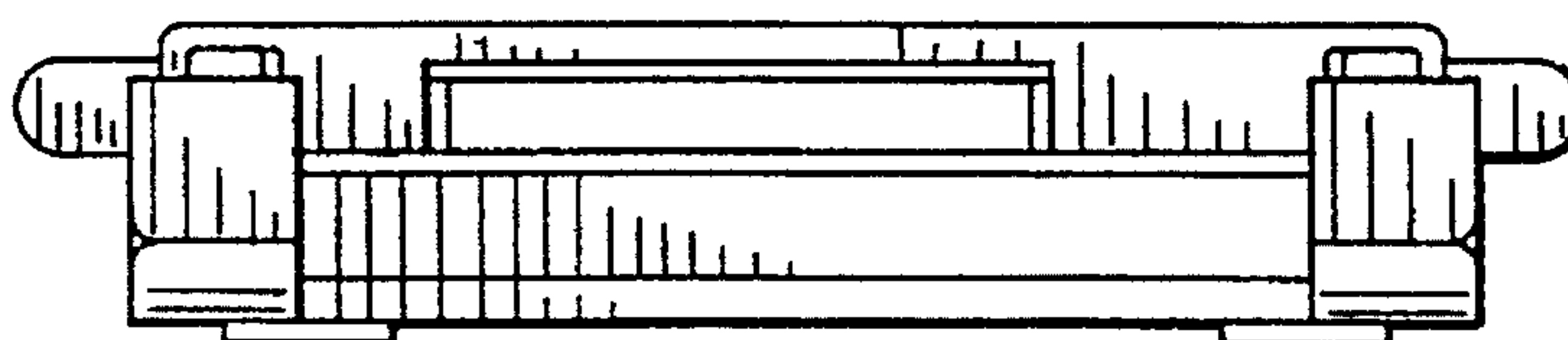


FIG. 4

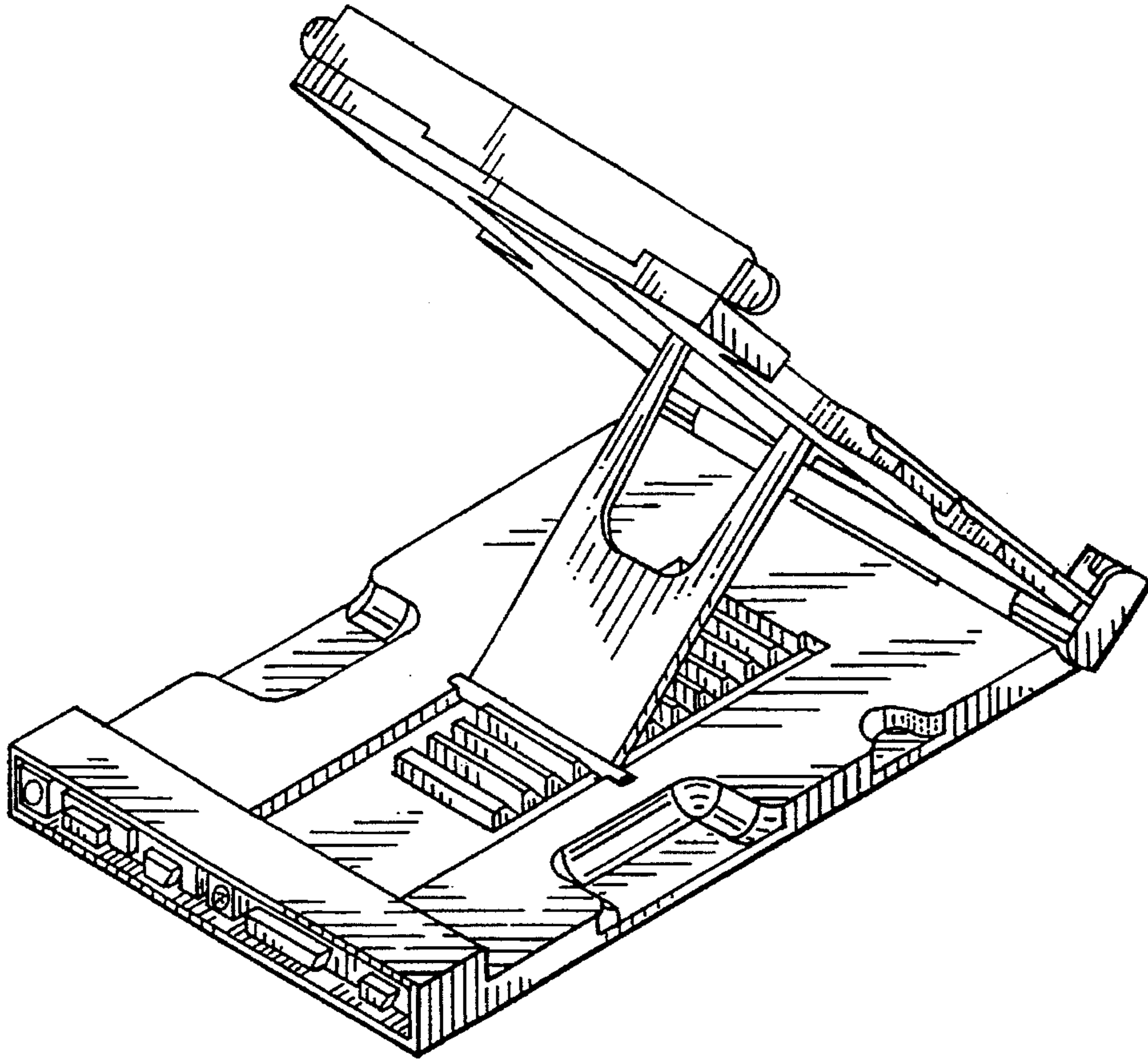


FIG. 7

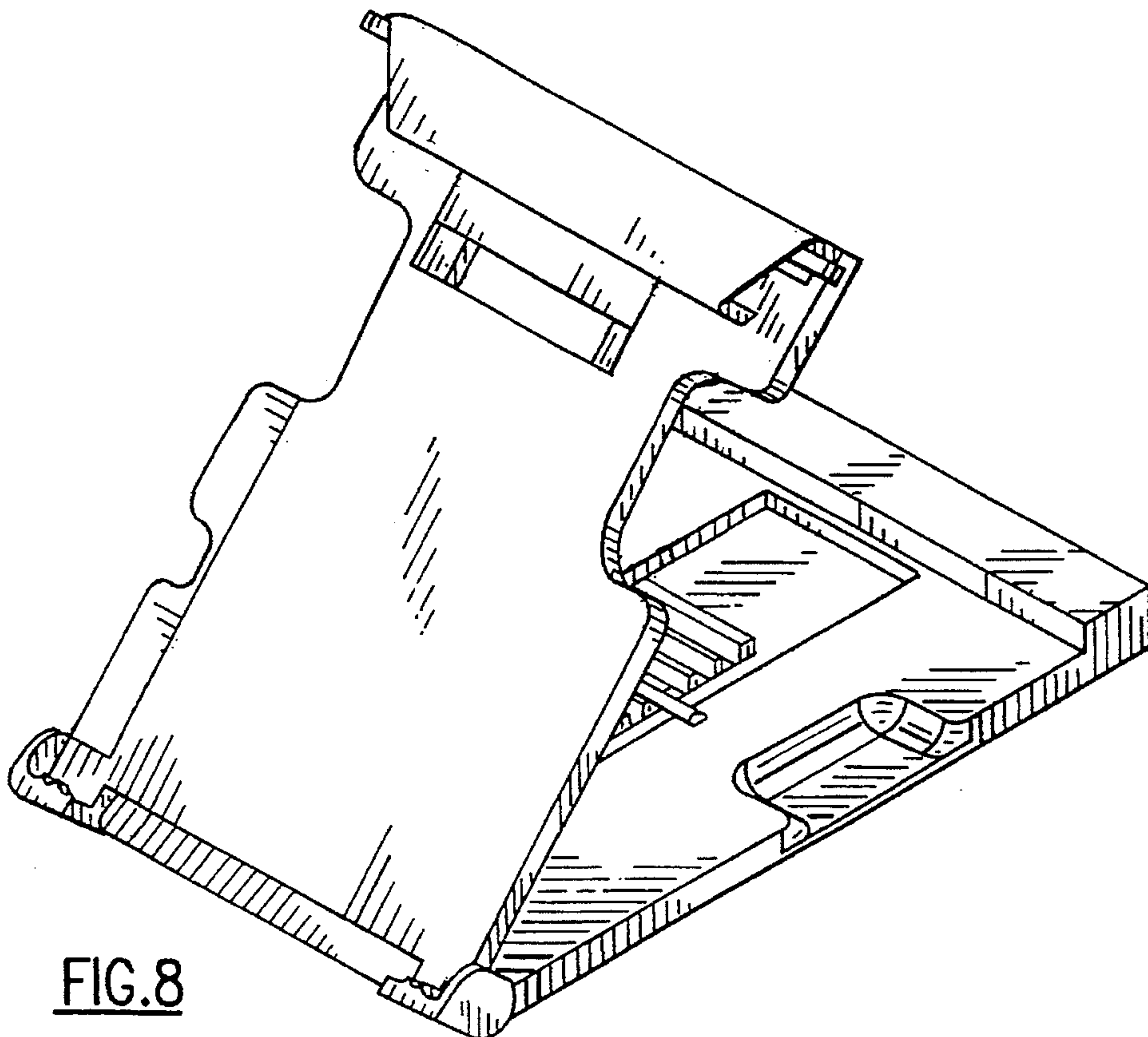


FIG. 8

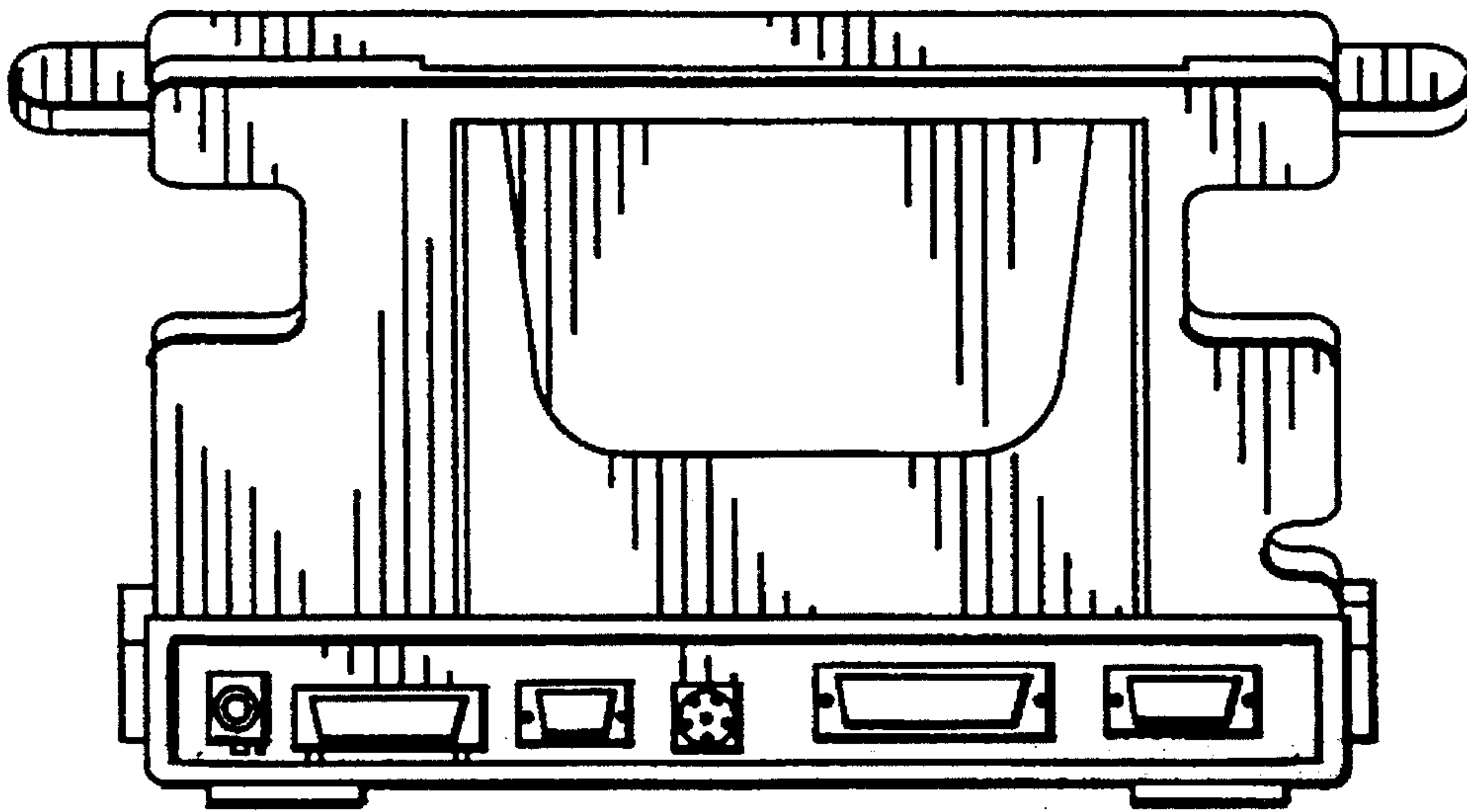


FIG.9