



US00D378674S

United States Patent [19]

[11] Patent Number: **Des. 378,674**

Volansky et al.

[45] Date of Patent: ****Apr. 1, 1997**

[54] SURFACE MOUNT MULTIMEDIA OUTLET

[75] Inventors: **Edward J. Volansky**, Naugatuck; **John A. Siemon**, Woodbury; **Randy J. Below**, Cheshire, all of Conn.

[73] Assignee: **The Siemon Company**, Watertown, Conn.

[**] Term: **14 Years**

[21] Appl. No.: **30,712**

[22] Filed: **Nov. 4, 1994**

[52] U.S. Cl. **D13/147**

[58] Field of Search D13/146, 147;
D14/256; 439/76.1, 344, 620, 638, 651,
676; 174/48

[56] **References Cited**

U.S. PATENT DOCUMENTS

D. 303,256	9/1989	Freeman et al.	D13/147
D. 314,746	2/1991	Benjamin et al.	D14/256 X
D. 317,750	6/1991	Bellomo et al.	D13/147
D. 339,325	9/1993	Spencer et al.	D13/147
4,641,900	2/1987	Japngie	439/651 X
4,906,196	3/1990	Bowman et al.	439/76.1

OTHER PUBLICATIONS

Panduit pan-jack modules on p. 125 of *Electrical Construction and Maintenance*, Jan. 1990.
Siemon modular patch panels on p. 13L of *Jensen Catalog B, Supplement 3* ©1993.
Cabling Installation & Maintenance; Aug. 12, 1994, Modular Multimedia Outlets.

Systemax PDS Components Guide; Dec. 1990; 40A1 Multimedia Information Outlet.

AMP Incorporated; Surface Mount Outlet IS 3281 ©1992. Mod-Tap; Multi Media Interface Installation Instructions; Oct. 1993.

Siecor; Installation Procedure for the Siecor® UTS-Information Outlet; Oct. 1989 SRP-003-103.

Suttle Apparatus; Suttle Specifications for SE-107SM Dec. 1993.

Primary Examiner—Joel Sincavage

Attorney, Agent, or Firm—Fishman, Dionne & Cantor

[57] **CLAIM**

The ornamental design for a surface mount multimedia outlet, as shown and described.

DESCRIPTION

FIG. 1 shows a front perspective view of a first embodiment of my new design;

FIG. 2 shows a top plan view thereof;

FIG. 3 shows a right end elevation view thereof with the left end view being a mirror image thereof;

FIG. 4 shows a front elevation view thereof;

FIG. 5 shows a rear elevation view thereof; and

FIG. 6 shows a bottom view thereof;

FIG. 7 shows a front perspective view of a second embodiment of my new design;

FIG. 8 shows a top plan view thereof;

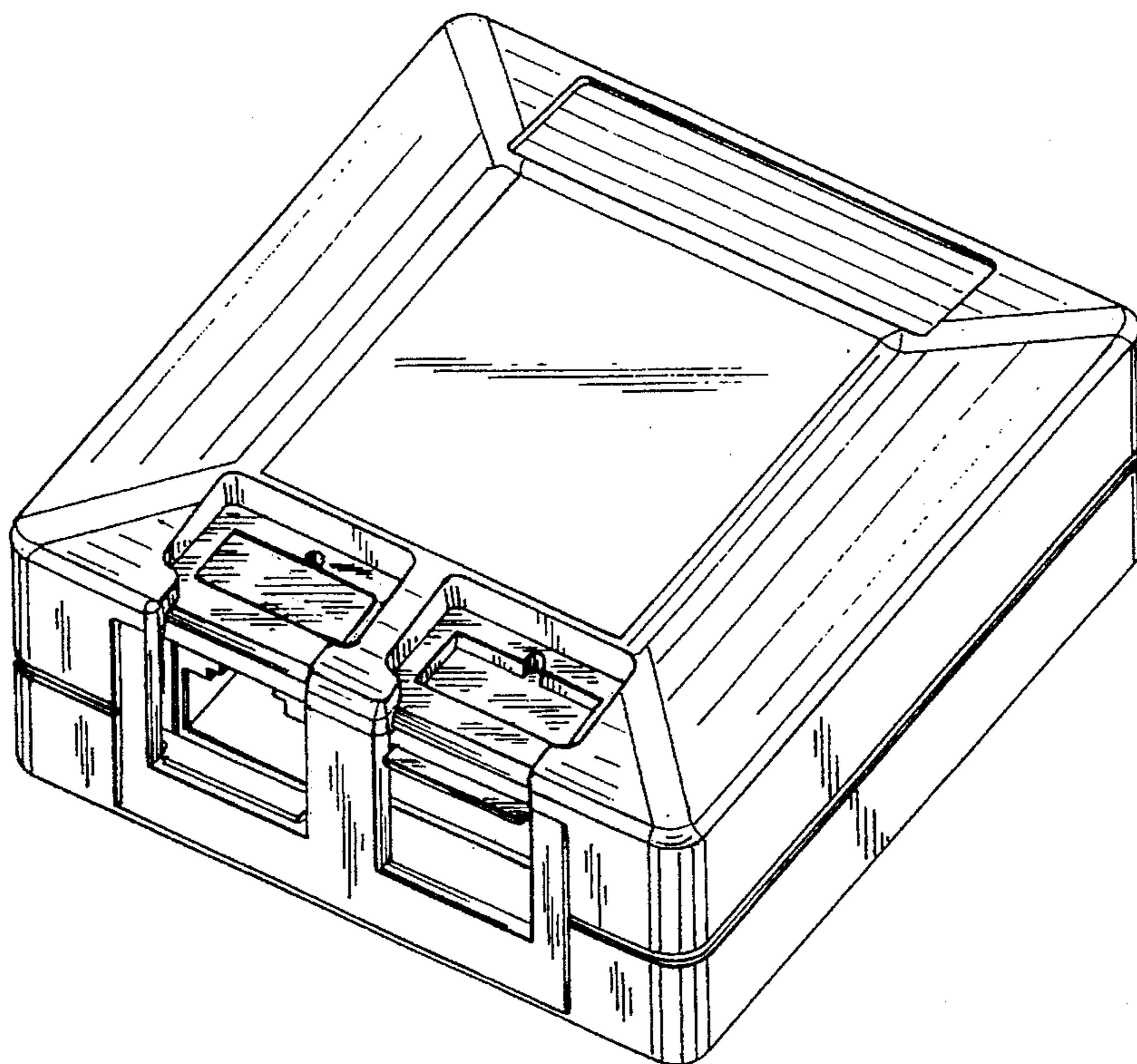
FIG. 9 shows a right end elevation view thereof with the left end view being a mirror image thereof;

FIG. 10 shows a front elevation view thereof;

FIG. 11 shows a rear elevation view thereof; and,

FIG. 12 shows a bottom view thereof.

1 Claim, 4 Drawing Sheets



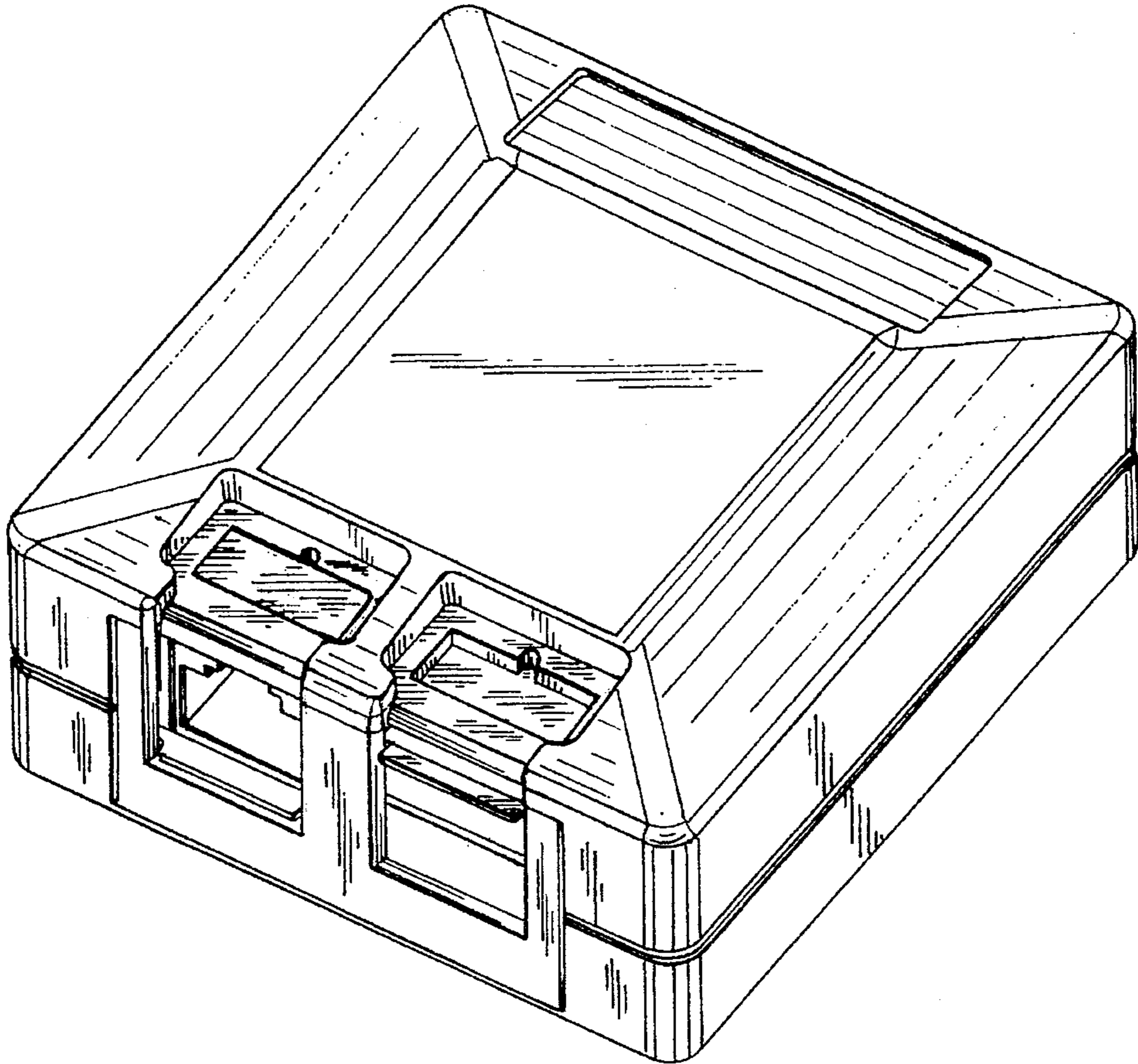


FIG. 1

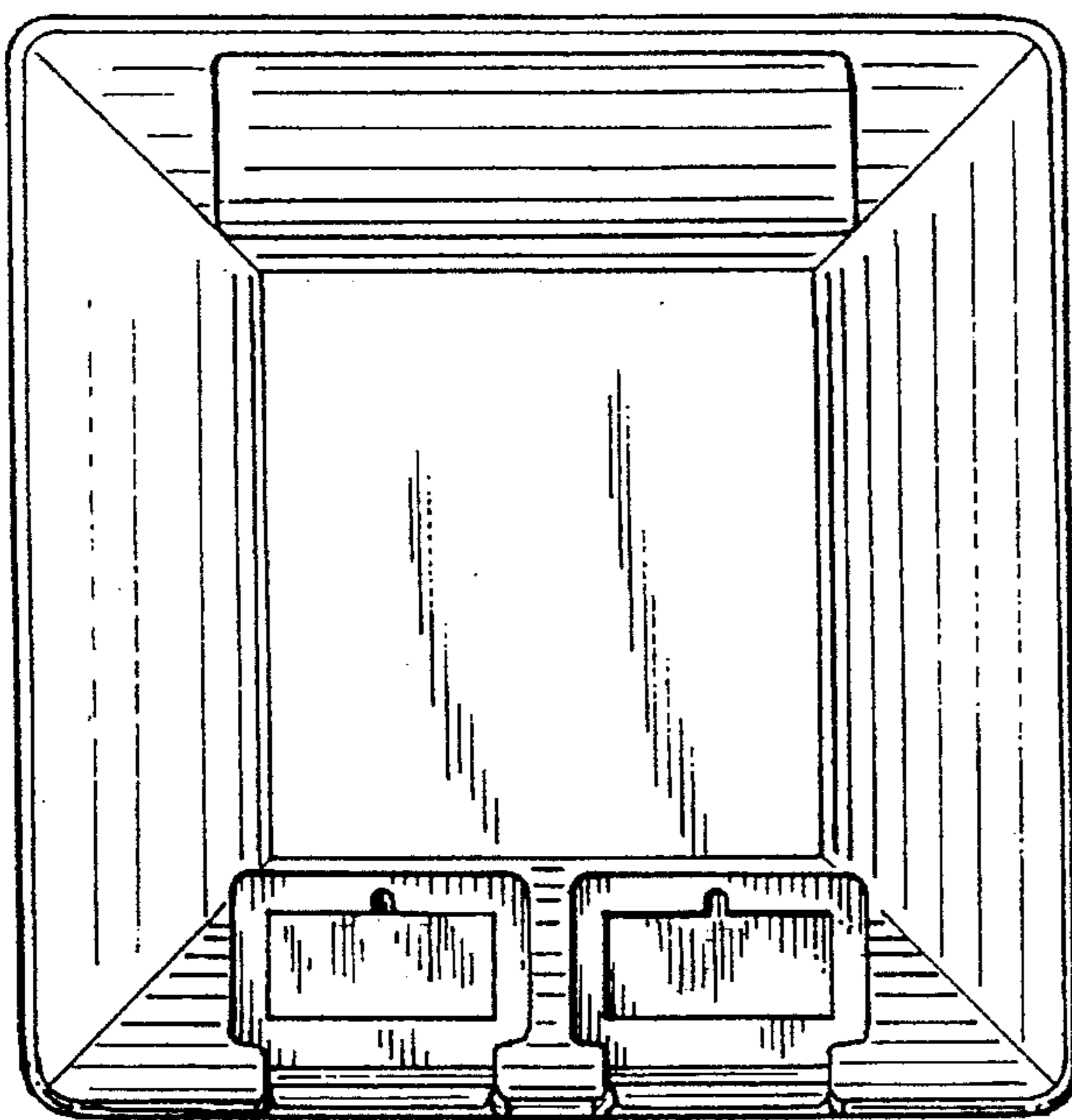


FIG. 2

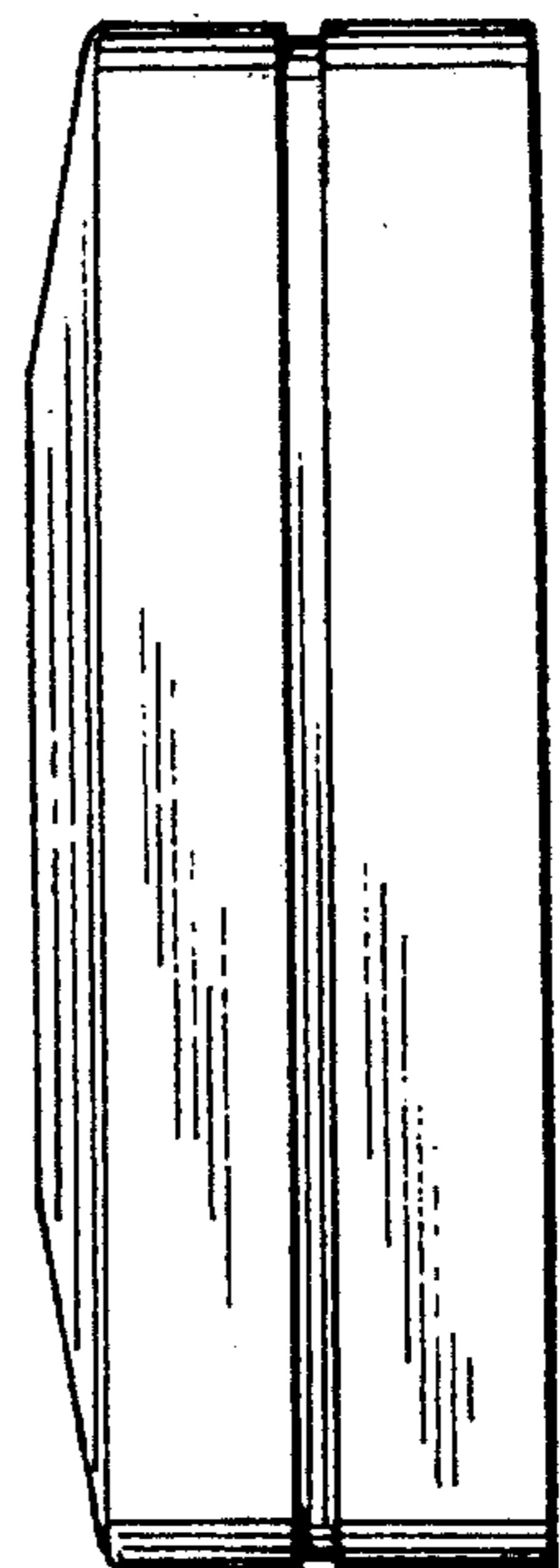


FIG. 3

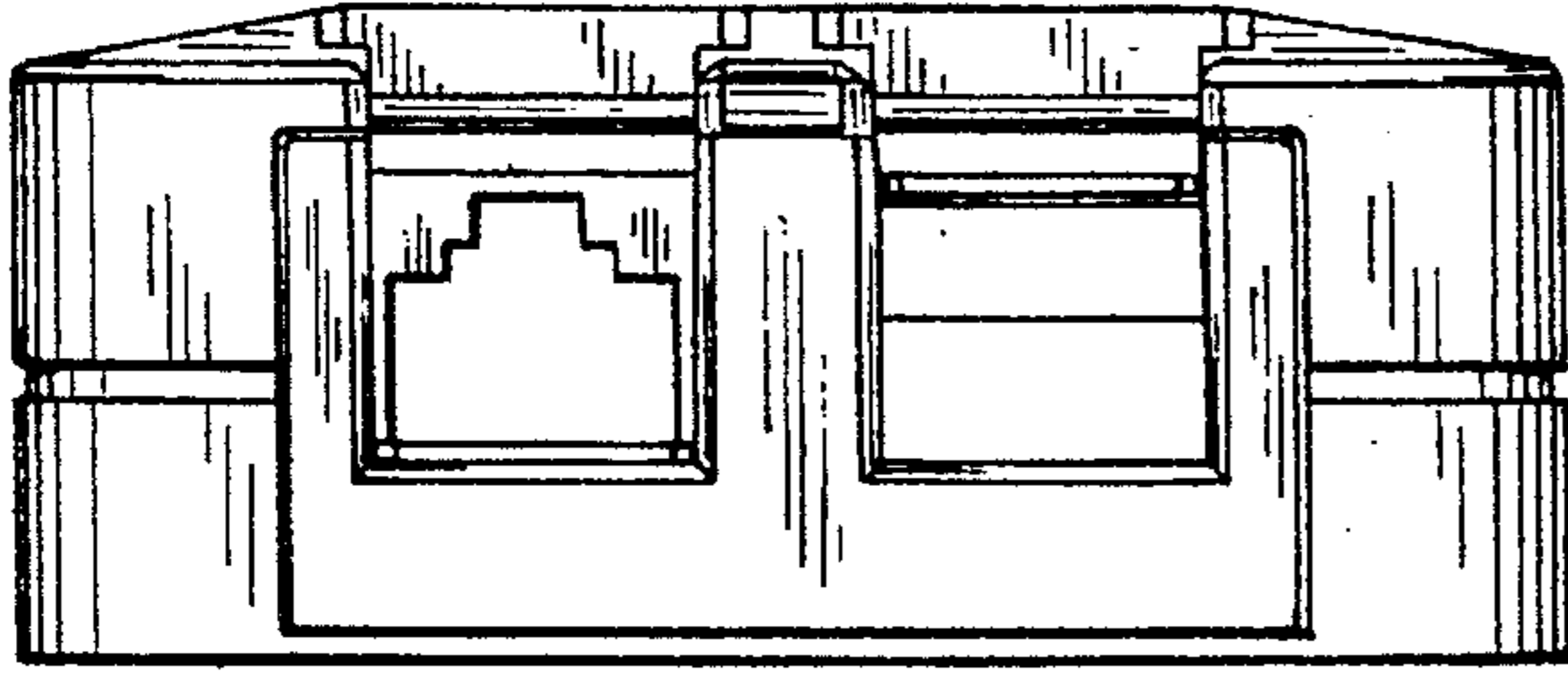


FIG. 4

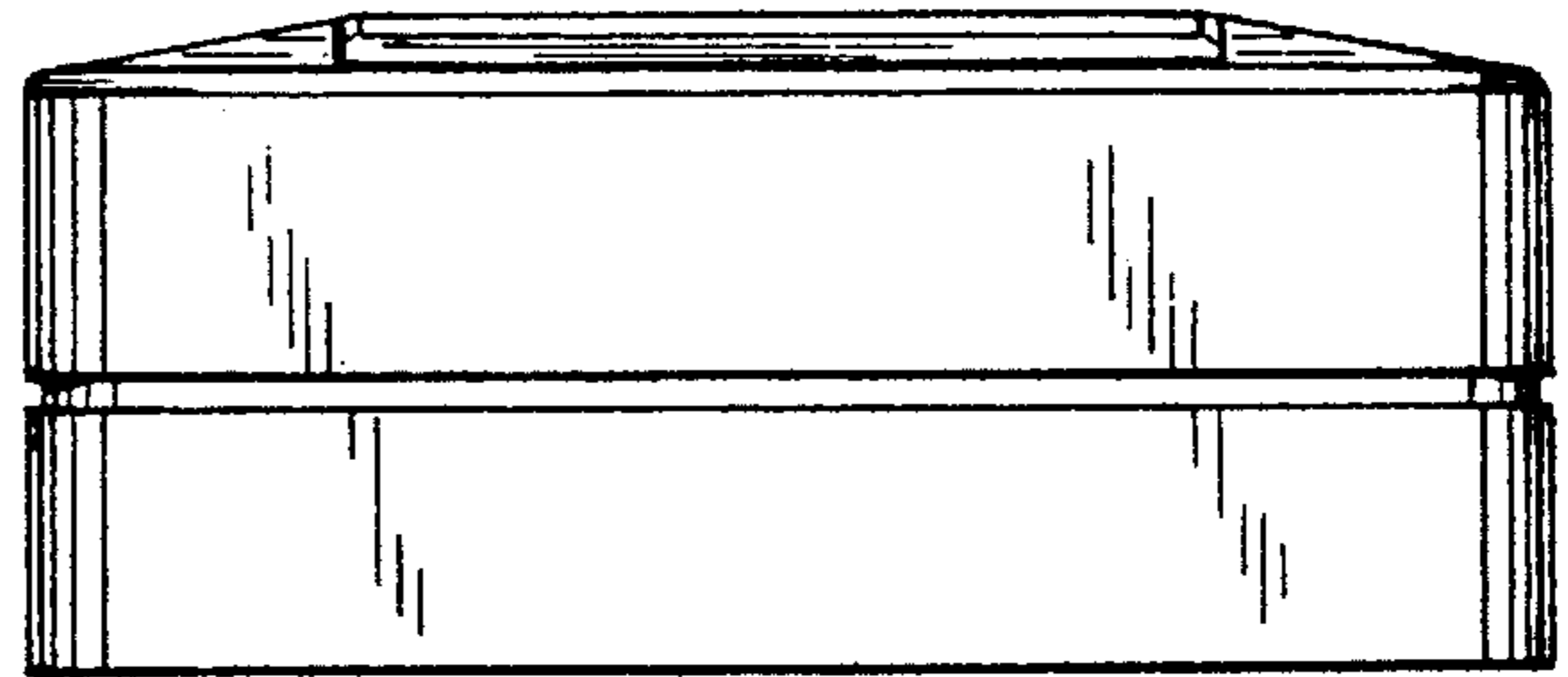


FIG. 5

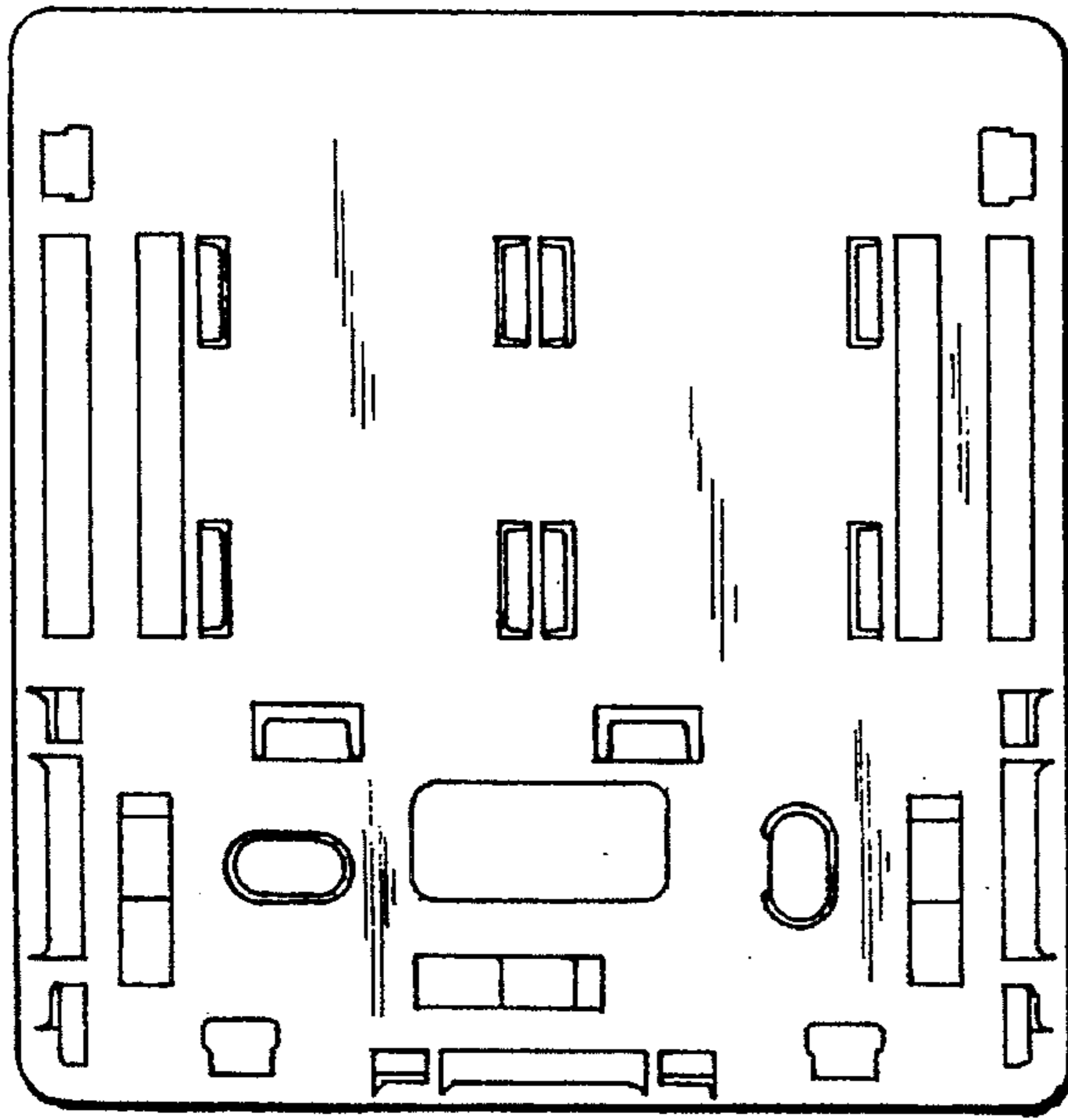


FIG. 6

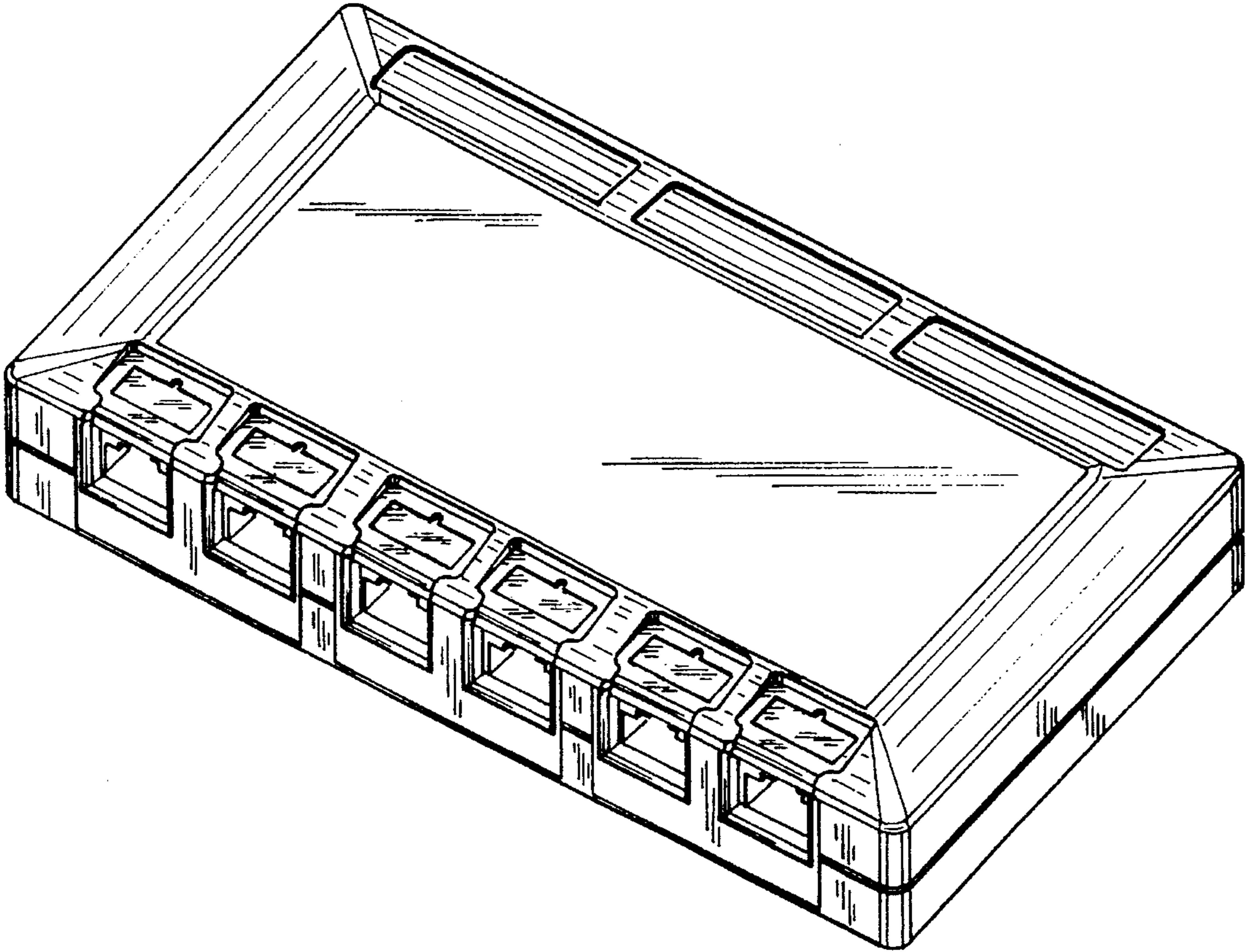


FIG. 7

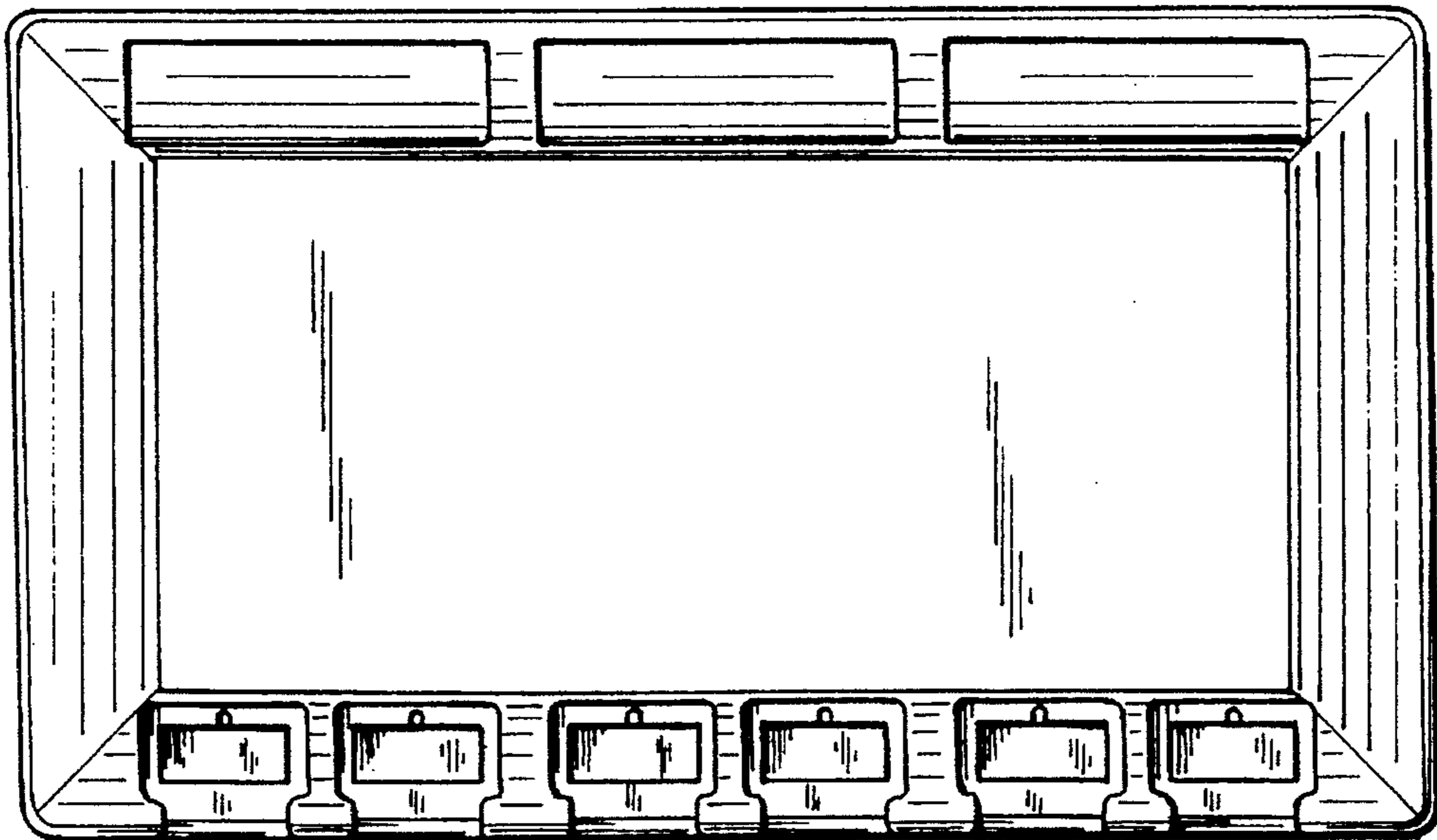


FIG. 8

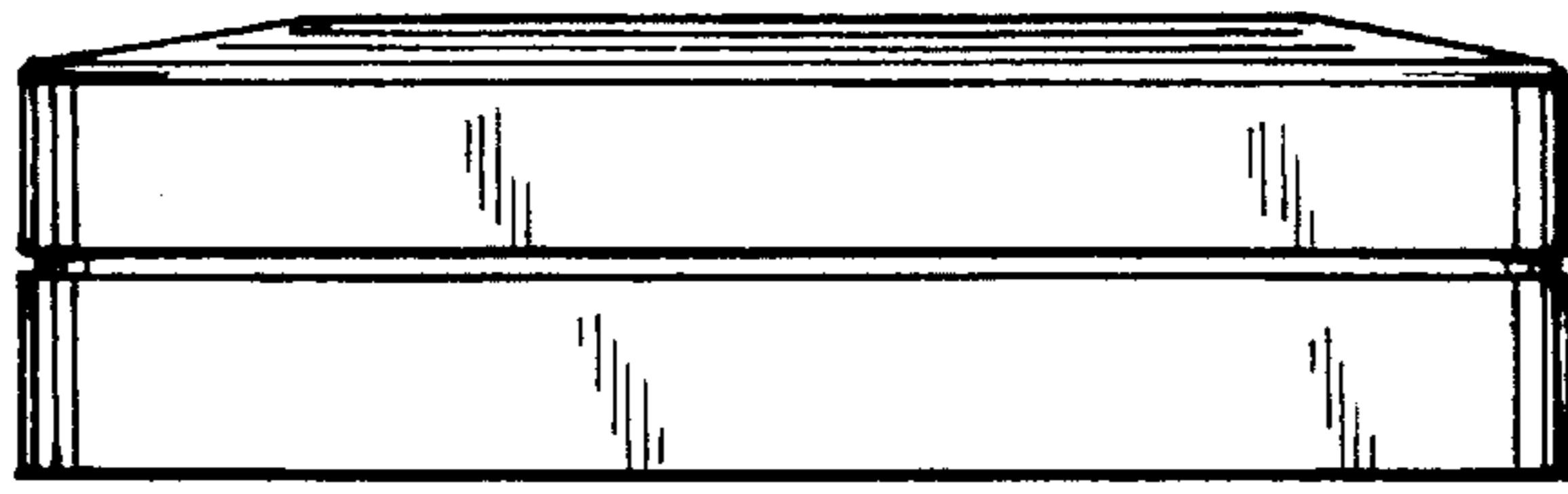


FIG. 9

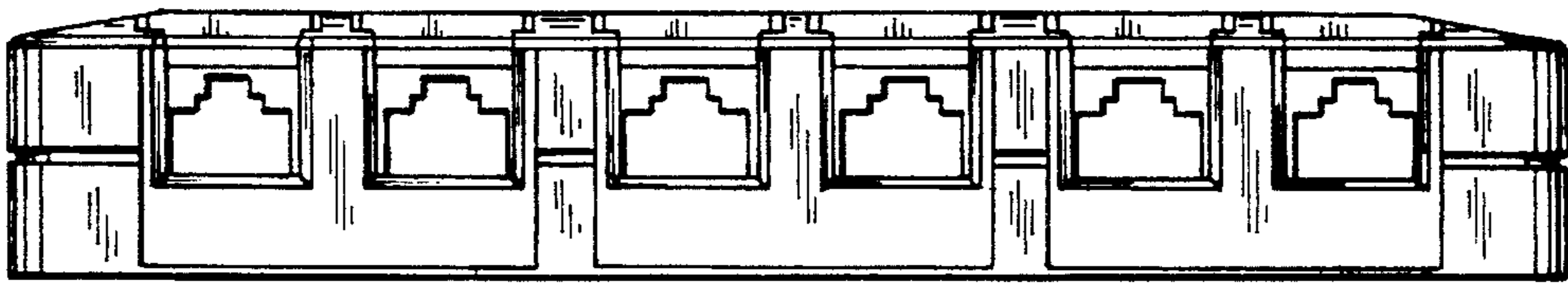


FIG. 10

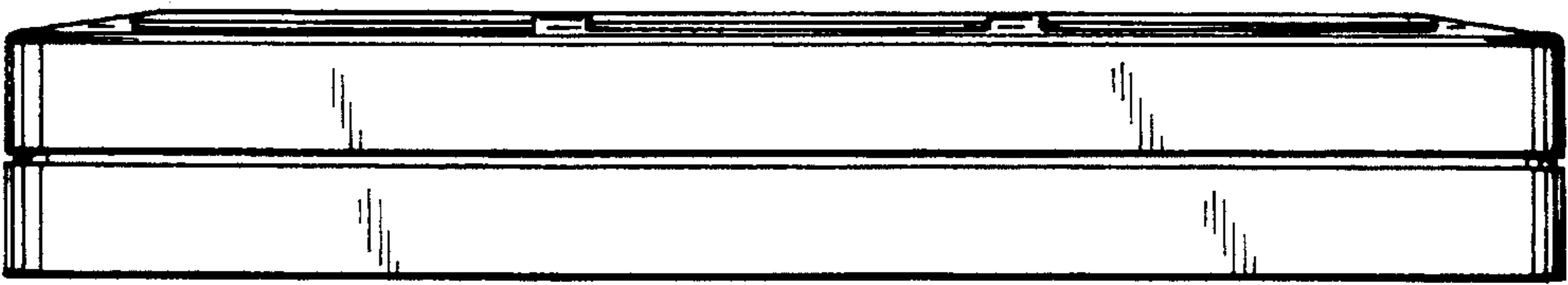


FIG. 11

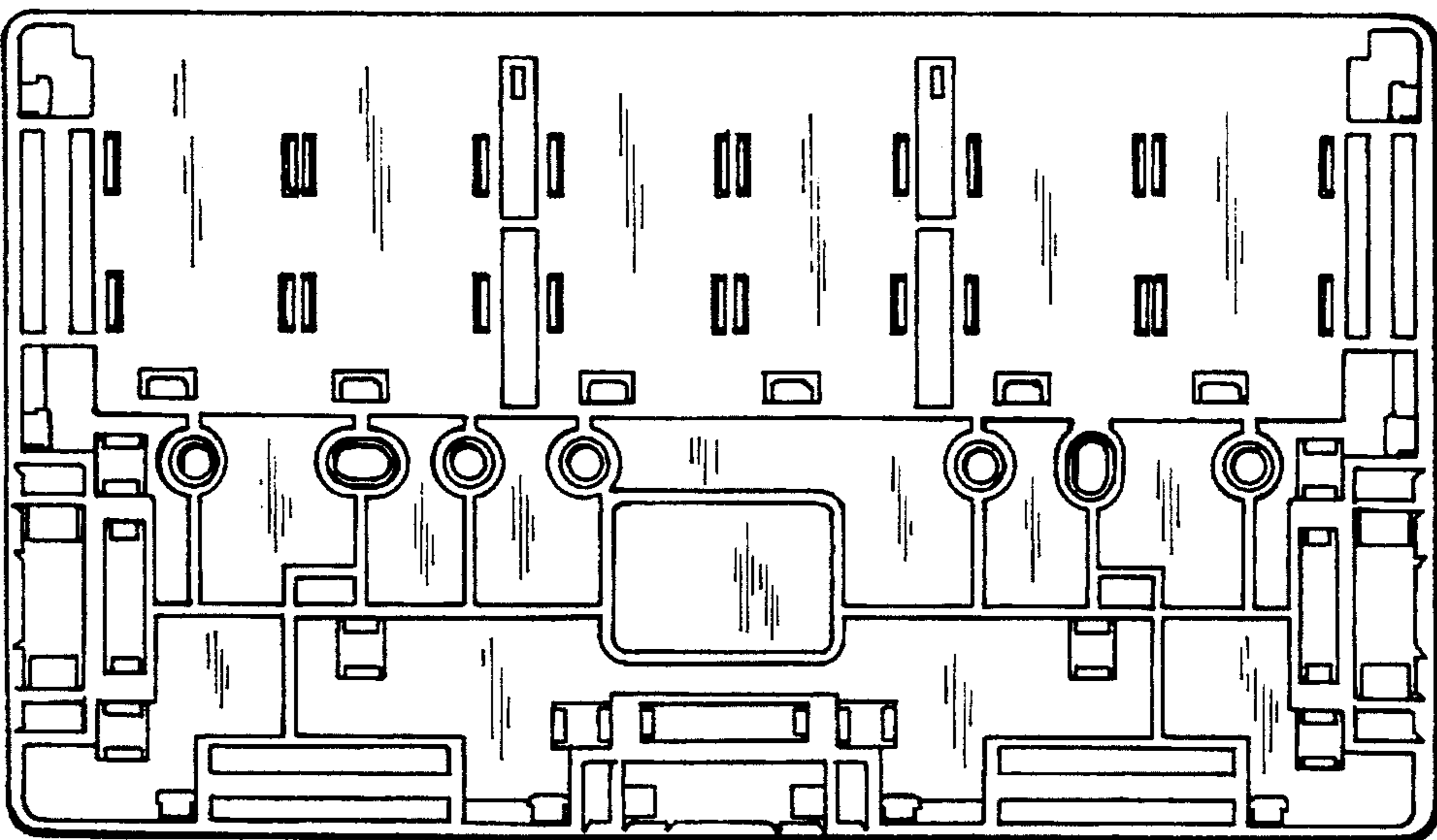


FIG. 12