



US00D378662S

United States Patent [19]

[11] **Patent Number: Des. 378,662**

Gobe

[45] **Date of Patent: ***Apr. 1, 1997**

[54] **PAIR OF SURFACE DETAILS FOR A CYLINDRICAL BOTTLE**

[75] Inventor: **Marc Gobe**, New York, N.Y.

[73] Assignee: **Bath & Body Works, Inc.**, Columbus, Ohio

[*] Notice: The portion of the term of this patent subsequent to Feb. 25, 2011, has been disclaimed.

[**] Term: **14 Years**

[21] Appl. No.: **36,872**

[22] Filed: **Mar. 28, 1995**

[52] U.S. Cl. **D9/434; D9/539; D9/556**

[58] Field of Search **D9/537-543, 556, D9/569, 564, 551, 434; 215/383, 384**

[56] **References Cited**

U.S. PATENT DOCUMENTS

- D. 074,066 12/1927 Mas .
- D. 087,726 9/1932 Miller .
- D. 91,520 2/1934 Fuerst D9/569 X
- D. 91,653 3/1934 Guyer 215/383 X
- D. 093,690 10/1934 Steelman .
- D. 094,101 12/1934 Spence .
- D. 099,492 4/1936 Keightley .
- D. 116,016 8/1939 Buckingham D9/542
- D. 124,920 1/1941 Heuisler, Jr. .
- D. 133,574 8/1942 Jackson .

- D. 145,645 9/1946 Runnels .
- D. 161,698 1/1951 Lorenzen D9/542
- D. 182,540 4/1958 Soubier D9/539
- D. 246,896 6/1976 Plummer .
- D. 249,329 7/1976 Schacher et al. .
- D. 269,948 8/1983 Janssen D9/543 X
- D. 299,115 10/1985 Wetherell, Jr. .
- D. 303,084 8/1989 Sedam et al. D9/543 X
- D. 309,080 7/1990 Buchholz D9/543
- D. 331,880 12/1992 Wegner, IV et al. .
- D. 332,405 1/1993 Farley .
- D. 339,068 9/1993 Bell et al. .
- D. 340,867 11/1993 Martin .

Primary Examiner—Lucy Lieberman
Attorney, Agent, or Firm—Colucci & Umans

[57] **CLAIM**

The ornamental design for a pair of surface details for a cylindrical bottle, as shown and described.

DESCRIPTION

FIG. 1 is a front elevational view of a pair of surface details for a cylindrical bottle showing my new design, the rear elevational view being identical;
 FIG. 2 is a side elevational view thereof, the opposite side being identical; and,
 FIG. 3 is a sectional view of the outer wall taken along line 3—3 of FIG. 1 for clarity of illustration.
 The broken lines showing a bottle and cap are for illustrative purposes only and do not form part of the claimed design.

1 Claim, 1 Drawing Sheet

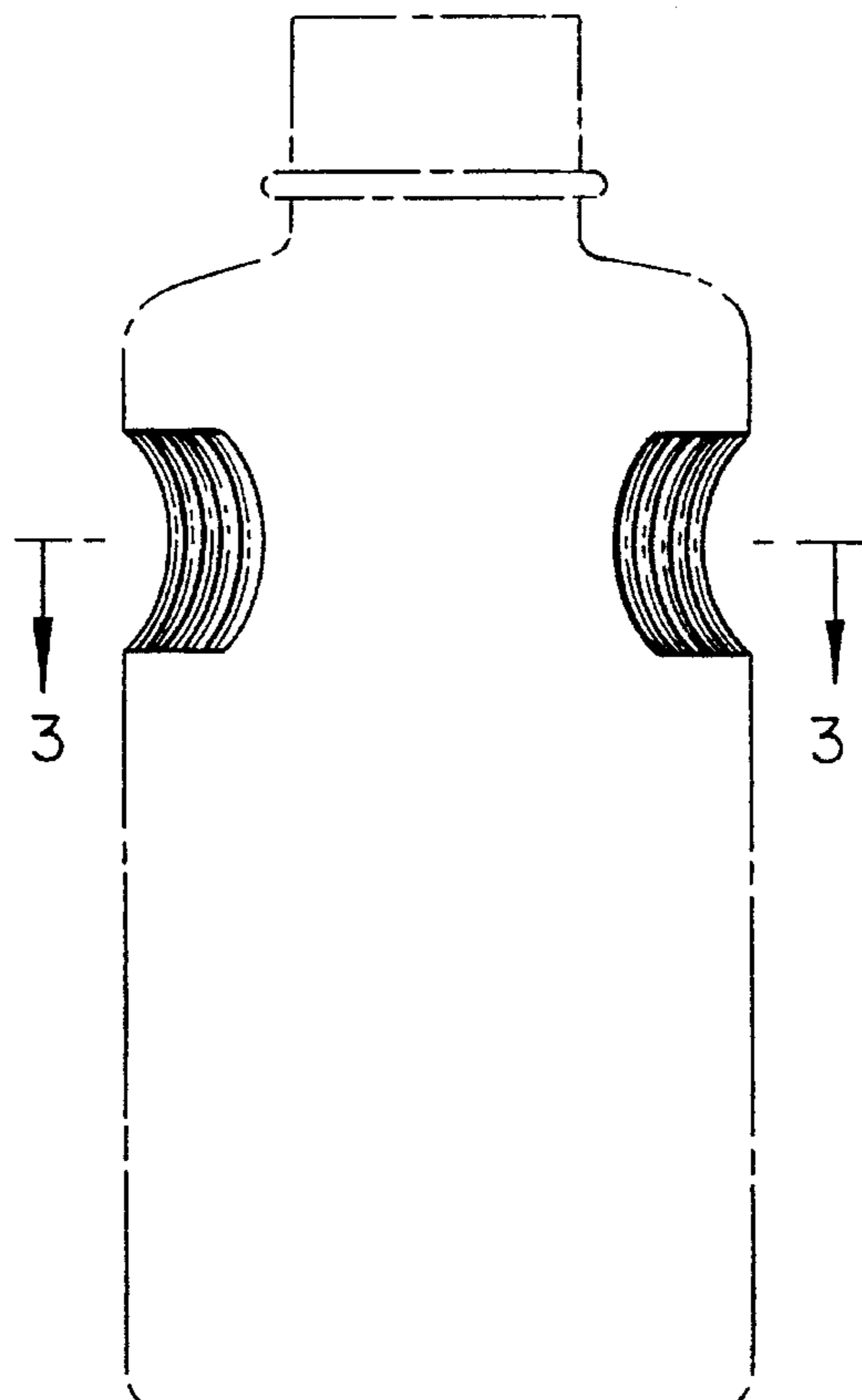


FIG. 1

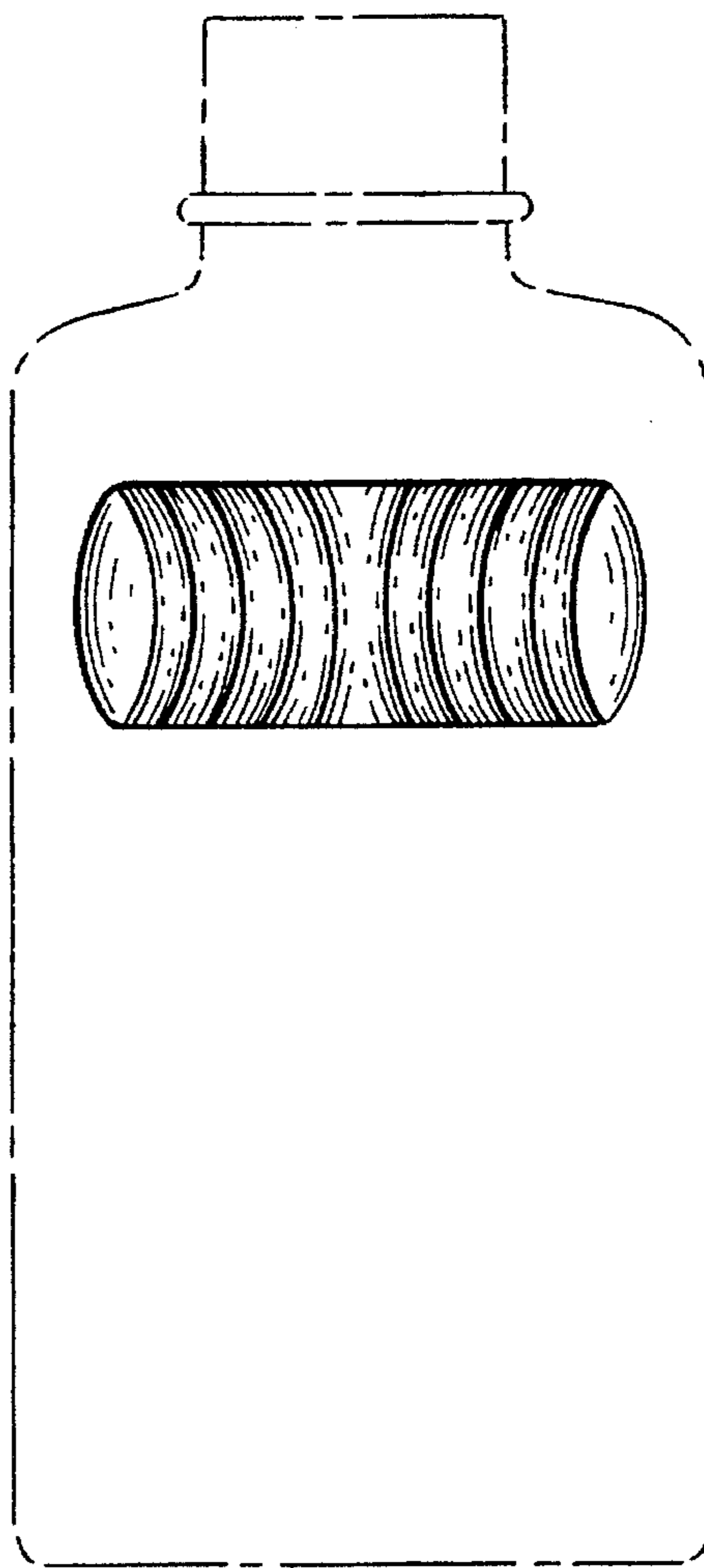
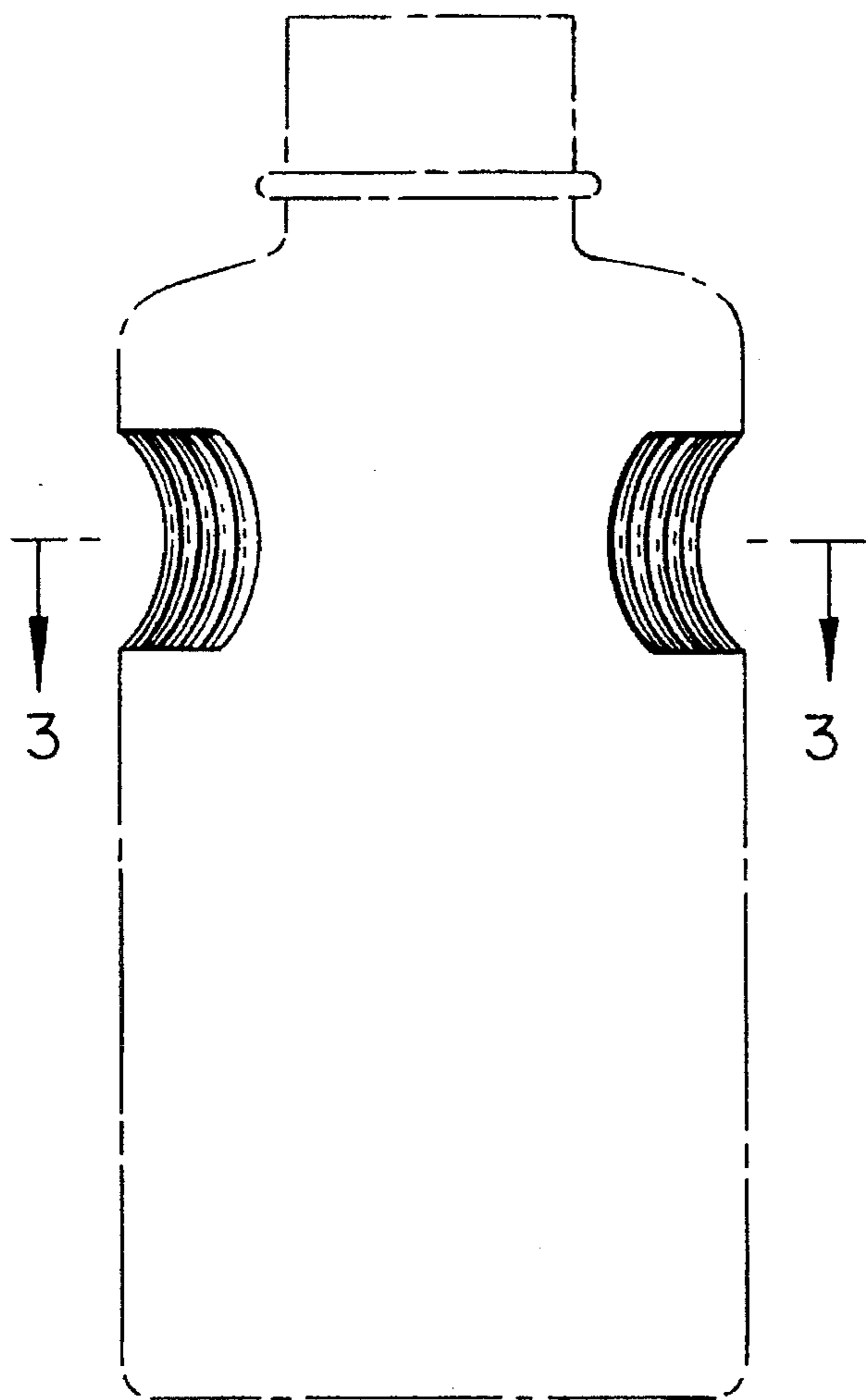


FIG. 2

FIG. 3

