



US00D378661S

United States Patent [19]

Campbell-Scott

[11] Patent Number: **Des. 378,661**

[45] Date of Patent: ****Apr. 1, 1997**

[54] CONTAINER

[76] Inventor: **Peggy J. Campbell-Scott**, 231 W. Tamarisk Ave., Phoenix, Ariz. 85041

[**] Term: **14 Years**

[21] Appl. No.: **52,766**

[22] Filed: **Apr. 8, 1996**

Related U.S. Application Data

[62] Division of Ser. No. 29,335, Oct. 3, 1994, Pat. No. Des. 368,656.

[52] U.S. Cl. **D9/432; D9/341**

[58] Field of Search D9/341, 347, 420, D9/423, 430, 432; 220/23.8, 555, 556; 229/120.08, 122, 125.25

[56] References Cited

U.S. PATENT DOCUMENTS

2,284,815 6/1942 Grimm 229/120.08 X
2,301,309 11/1942 Messer 229/122 X

2,323,565 7/1943 Peters, Jr. 229/122 X
2,951,625 9/1960 Marban 229/122
5,303,841 4/1994 Mezey 220/555

Primary Examiner—Prabhakar G. Deshmukh

Assistant Examiner—Nanda Bondade

Attorney, Agent, or Firm—Allan M. Shapiro

[57] CLAIM

The ornamental design for a container, as shown and described.

DESCRIPTION

FIG. 1 is a front, top and right side perspective view of a container showing my new design;
FIG. 2 is a top plan view thereof;
FIG. 3 is a right side elevational view thereof;
FIG. 4 is a rear elevational view thereof;
FIG. 5 is a front, top and right side perspective view thereof, showing a door and a drawer in an open position; and,
FIG. 6 is a rear, bottom and left side perspective view thereof, showing a door and a drawer in an open position.

1 Claim, 2 Drawing Sheets

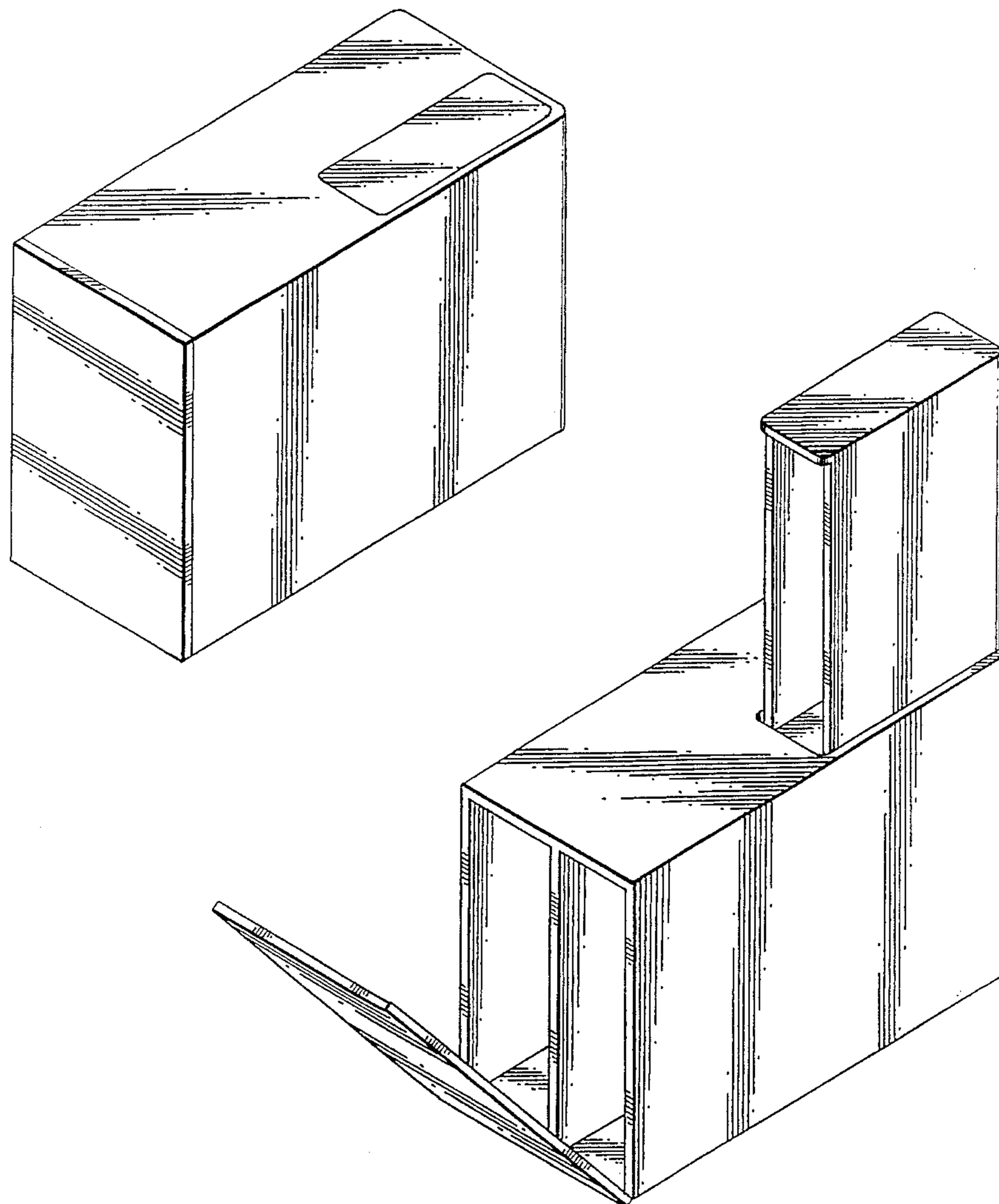


FIG. 1

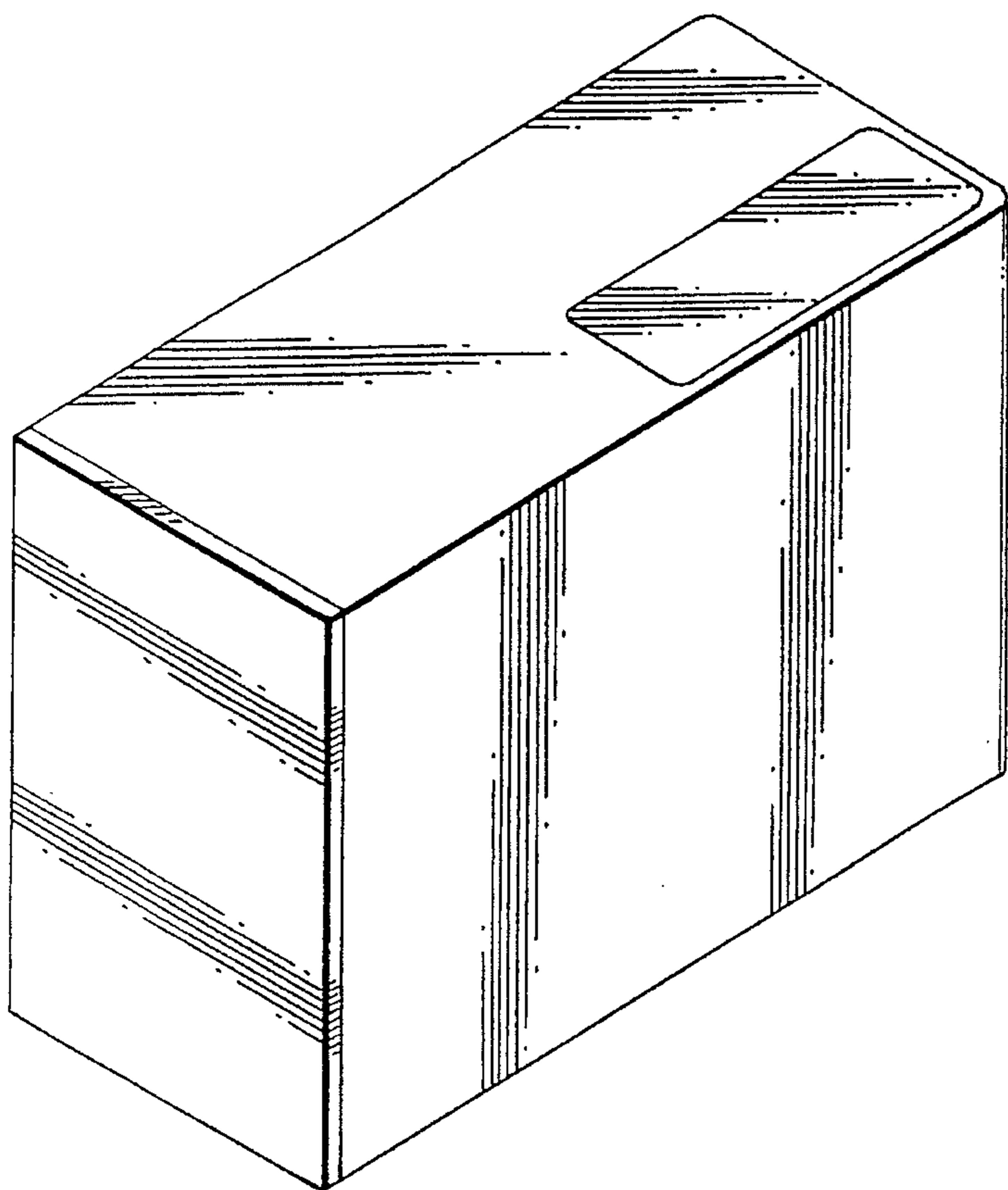
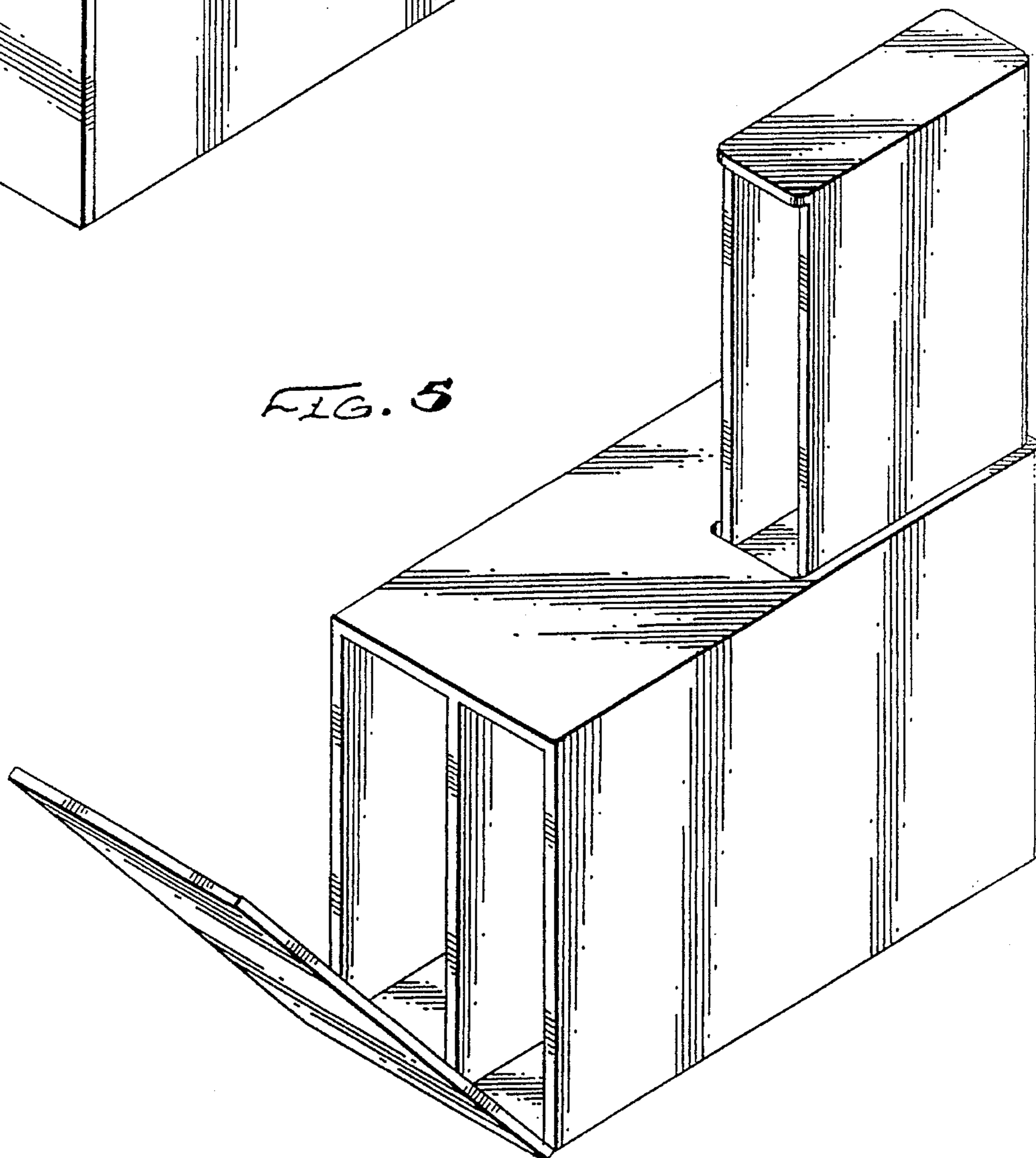


FIG. 5



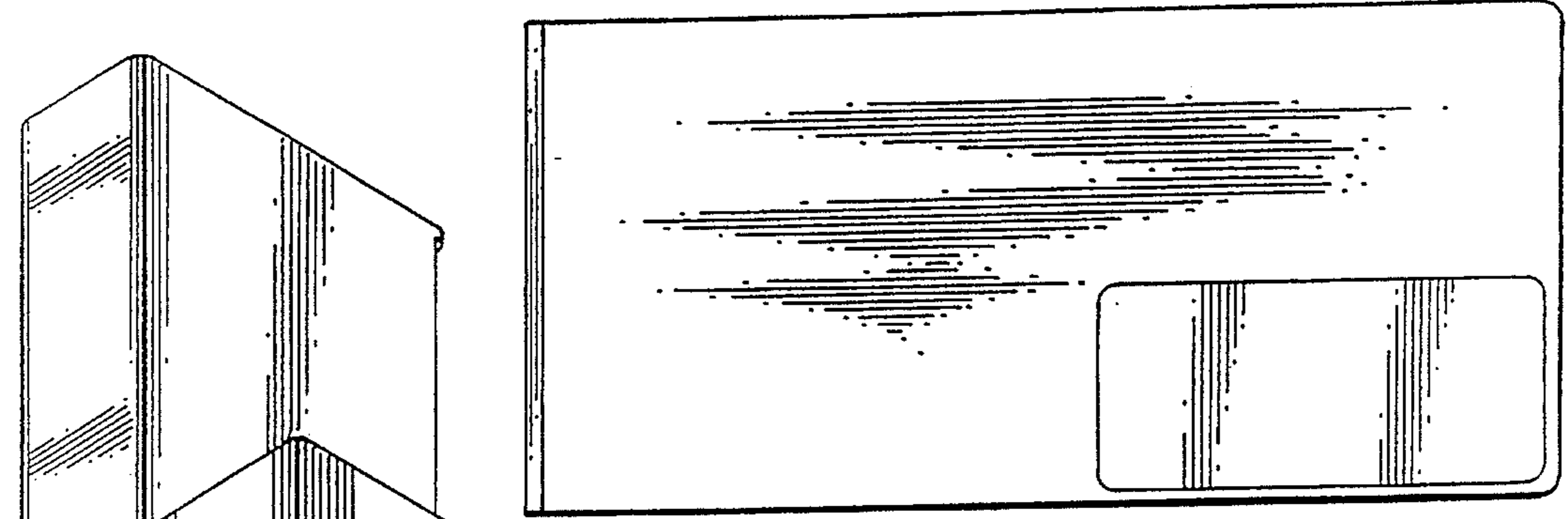


FIG. 2

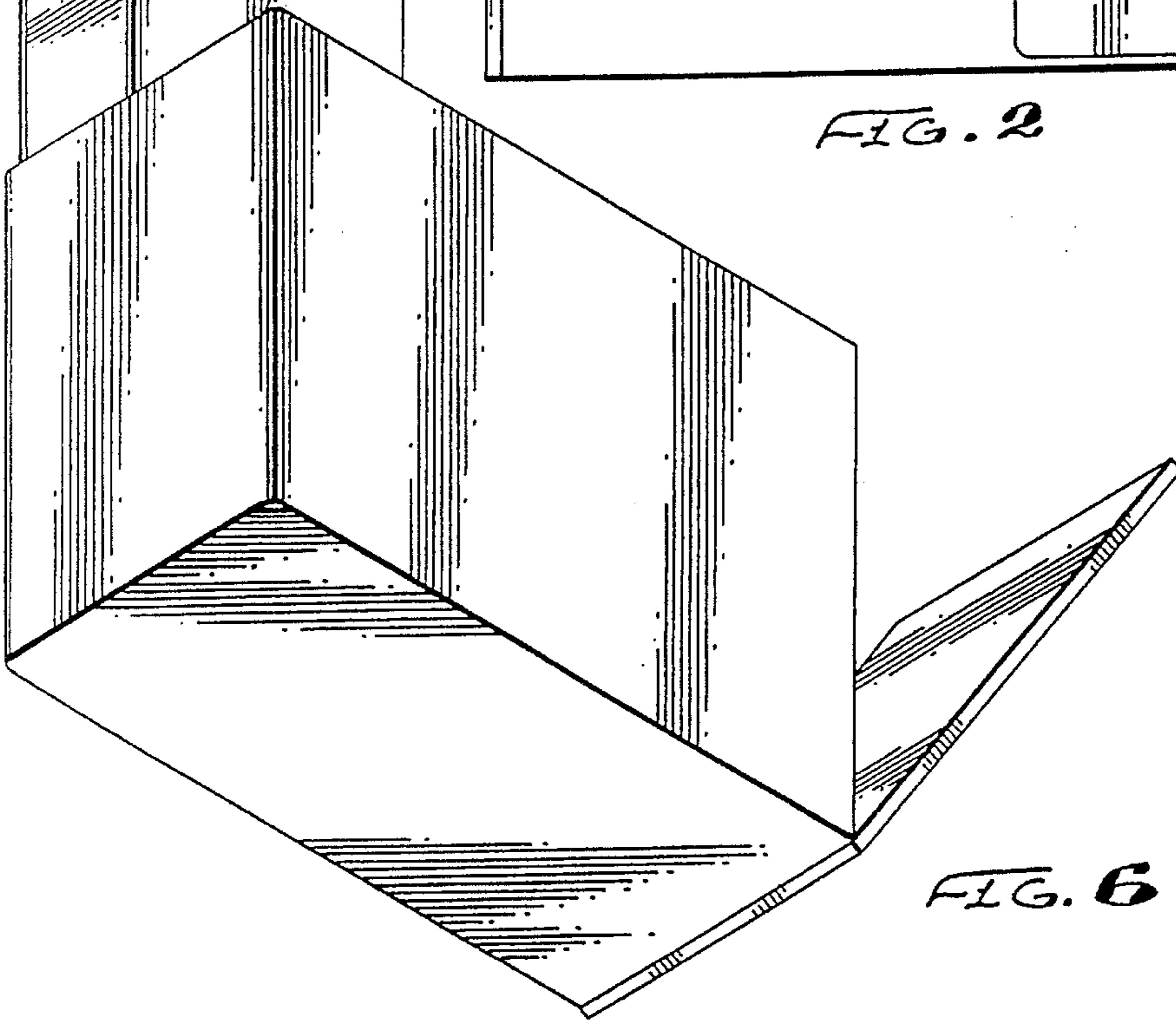


FIG. 3

FIG. 4

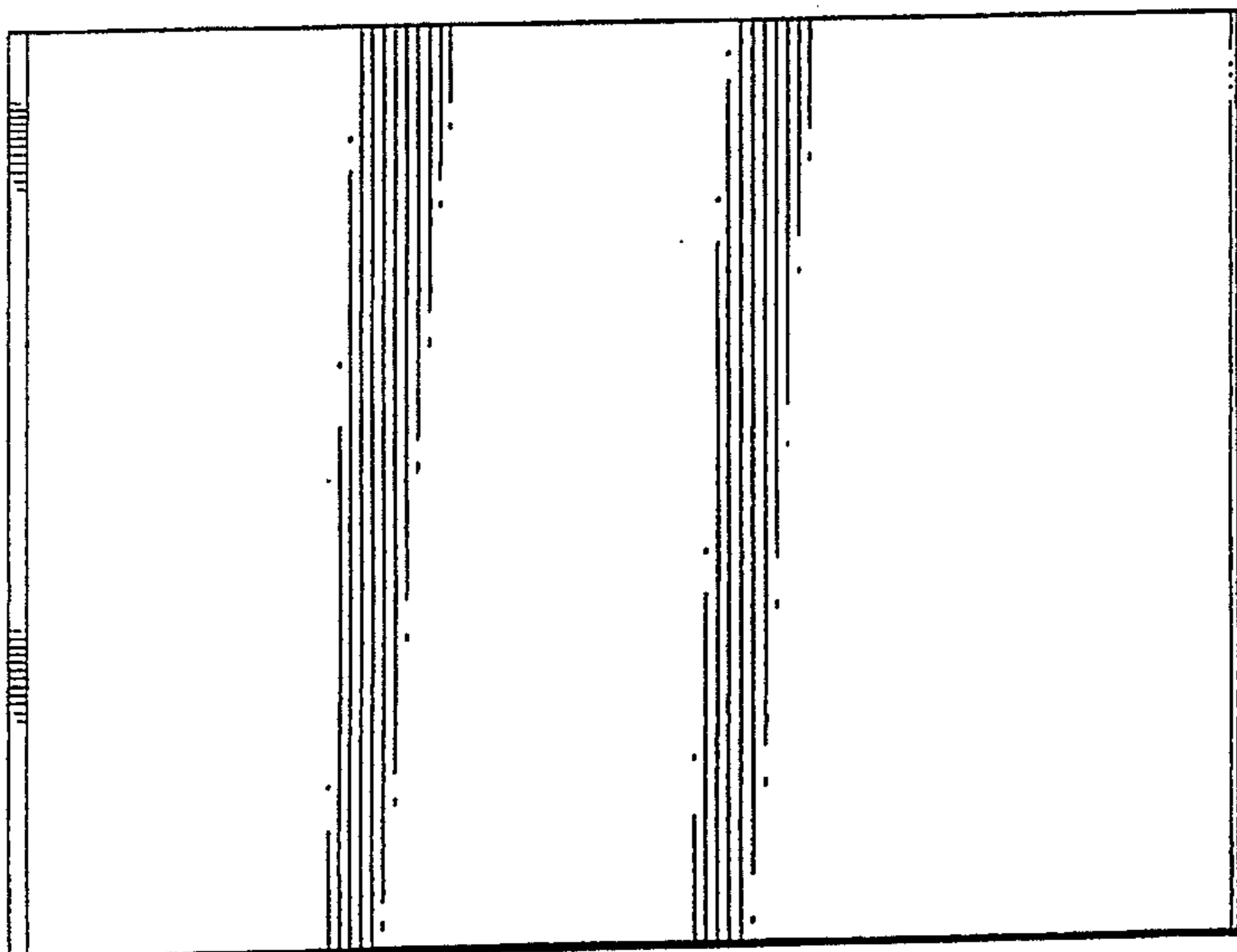


FIG. 5

