



US00D378656S

United States Patent [19]

Maine

[11] Patent Number: **Des. 378,656**

[45] Date of Patent: ****Apr. 1, 1997**

[54] **WOOD SPLITTING MAUL**

5,394,917 3/1995 Maine 30/308.1

[76] Inventor: **Nelson D. Maine**, 130 Western Ave.,
Henniker, N.H. 03242

[**] Term: **14 Years**

[21] Appl. No.: **45,264**

[22] Filed: **Oct. 16, 1995**

[52] U.S. Cl. **D8/78; D8/76**

[58] Field of Search **D8/75, 76, 77,**
D8/78; 81/20; 30/308, 308.1, 308.2, 308.3

[56] **References Cited**

U.S. PATENT DOCUMENTS

D. 19,056	4/1889	Kelly	D8/76
D. 20,814	6/1891	Didero	D8/76
D. 115,256	6/1939	Vaughan	D8/76
D. 257,826	1/1981	Jones	D8/76
D. 300,001	2/1989	Oberg	D8/76
4,208,148	6/1980	Bisantz	81/20
4,352,381	10/1982	Provi	81/20
4,357,974	11/1982	Nannen	81/20
4,412,572	11/1983	Clark	30/308.1
4,926,558	5/1990	Brace	30/308.1

OTHER PUBLICATIONS

True Temper Tools Catalog, 1986, pp. 10 & 11 Axes.

Primary Examiner—Philip S. Hyder
Attorney, Agent, or Firm—George W. Dishong

[57] CLAIM

The ornamental design for a wood splitting maul, as shown and described.

DESCRIPTION

FIG. 1 is a top and upper left perspective view of the wood splitting maul, the broken line depiction of a portion of a handle being for illustrative purposes only and forming no part of the claimed design;

FIG. 2 is a top plan thereof;

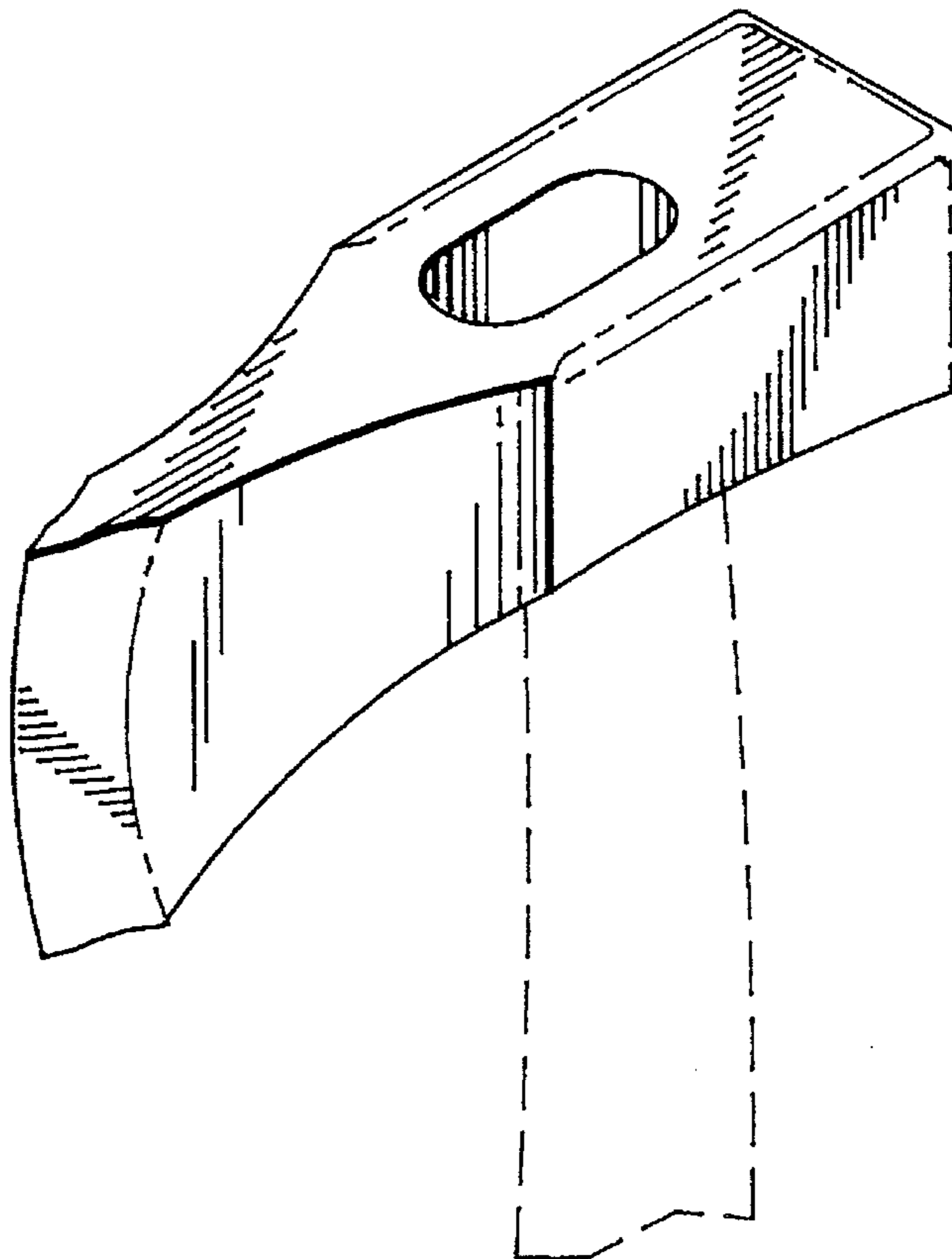
FIG. 3 is a front elevation, the rear view being a mirror image;

FIG. 4 is a bottom plan thereof as taken in the direction of the arrows 4—4 in FIG. 3;

FIG. 5 is a left side elevation thereof; and,

FIG. 6 is a right side elevation thereof.

1 Claim, 2 Drawing Sheets



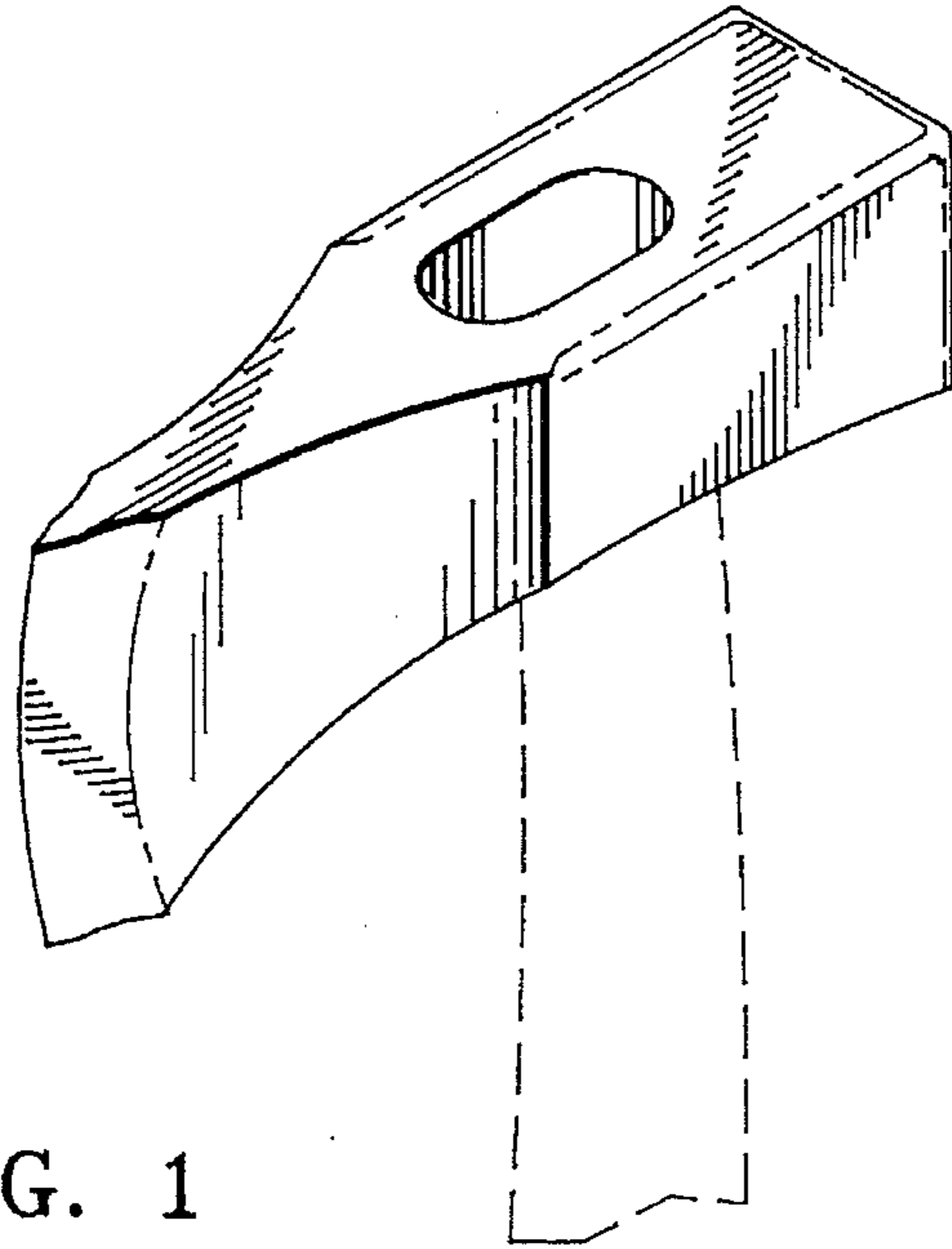


FIG. 1

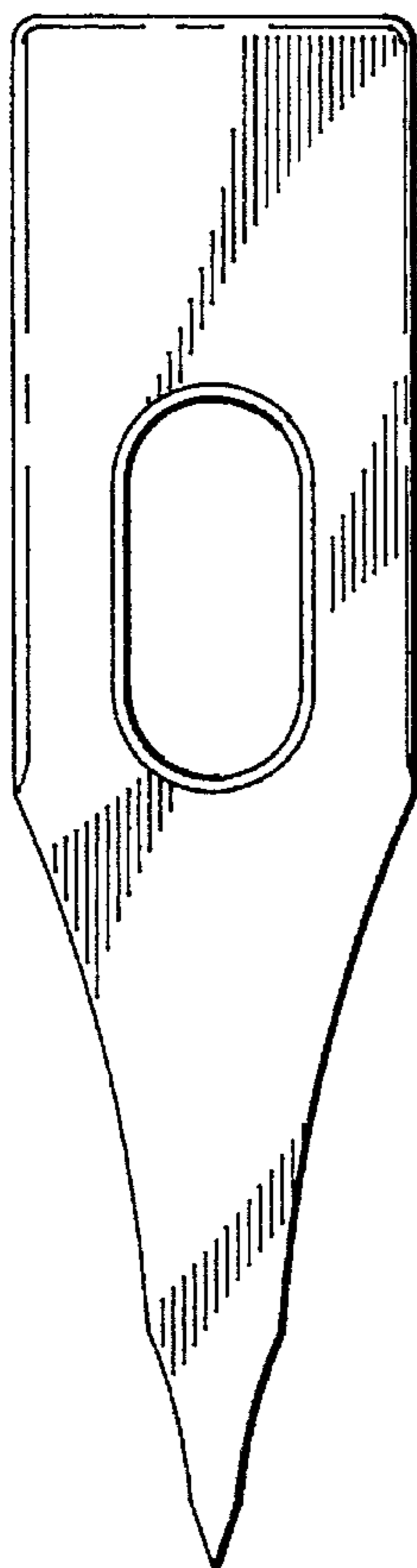


FIG. 2

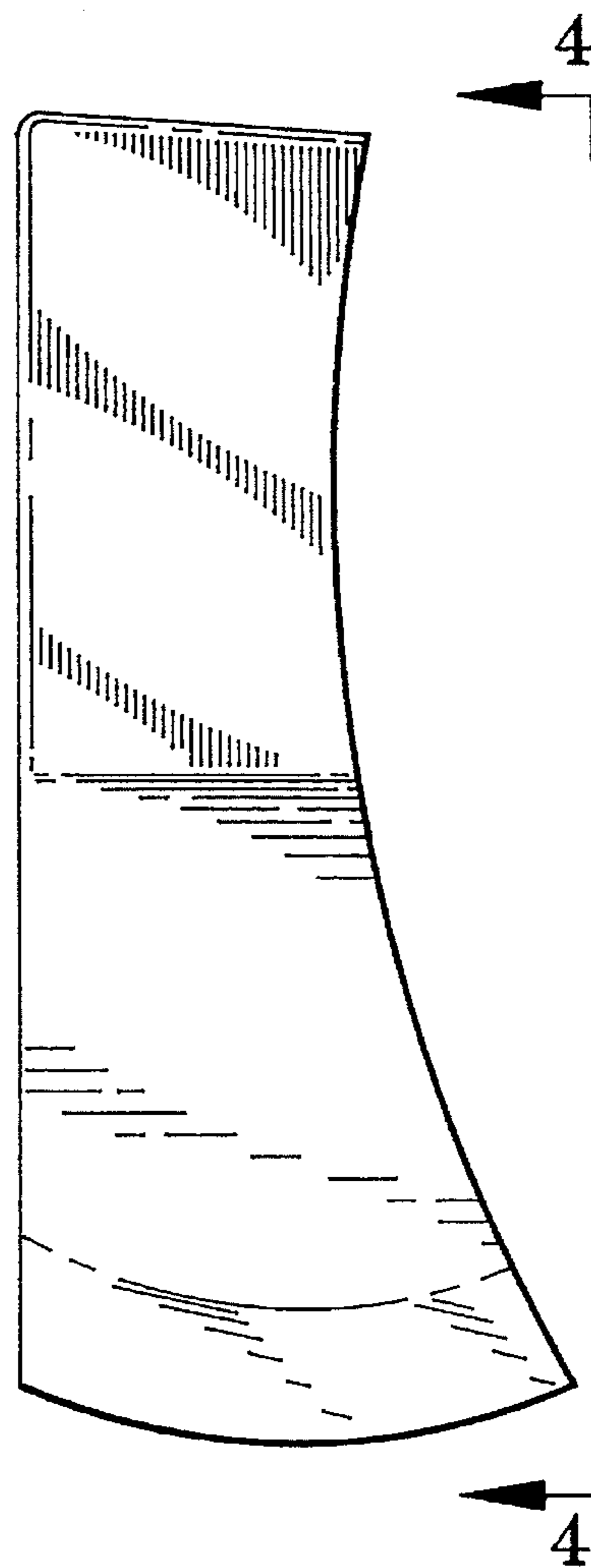


FIG. 3

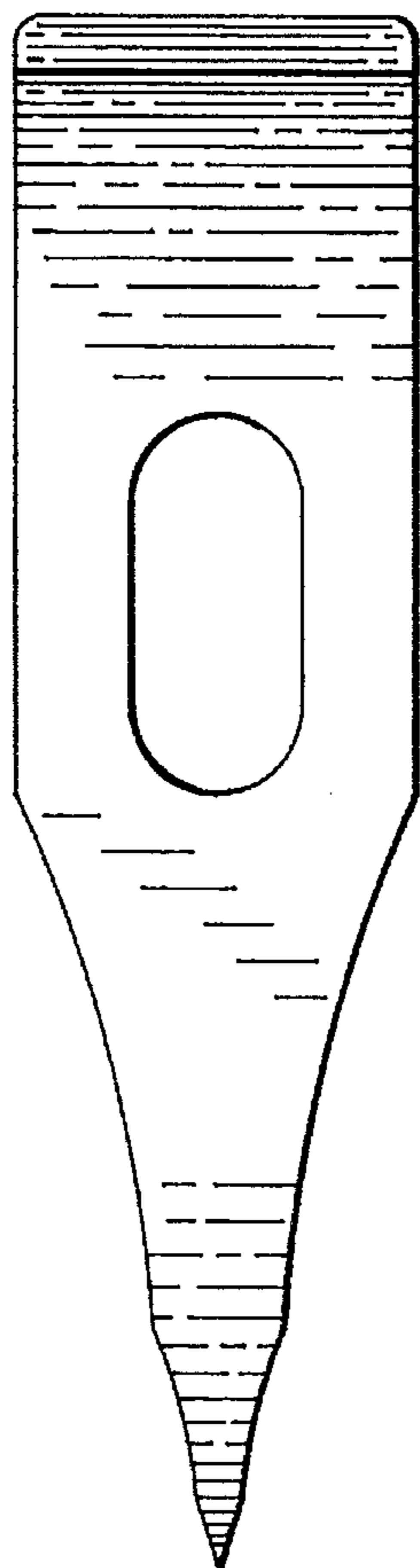


FIG. 4

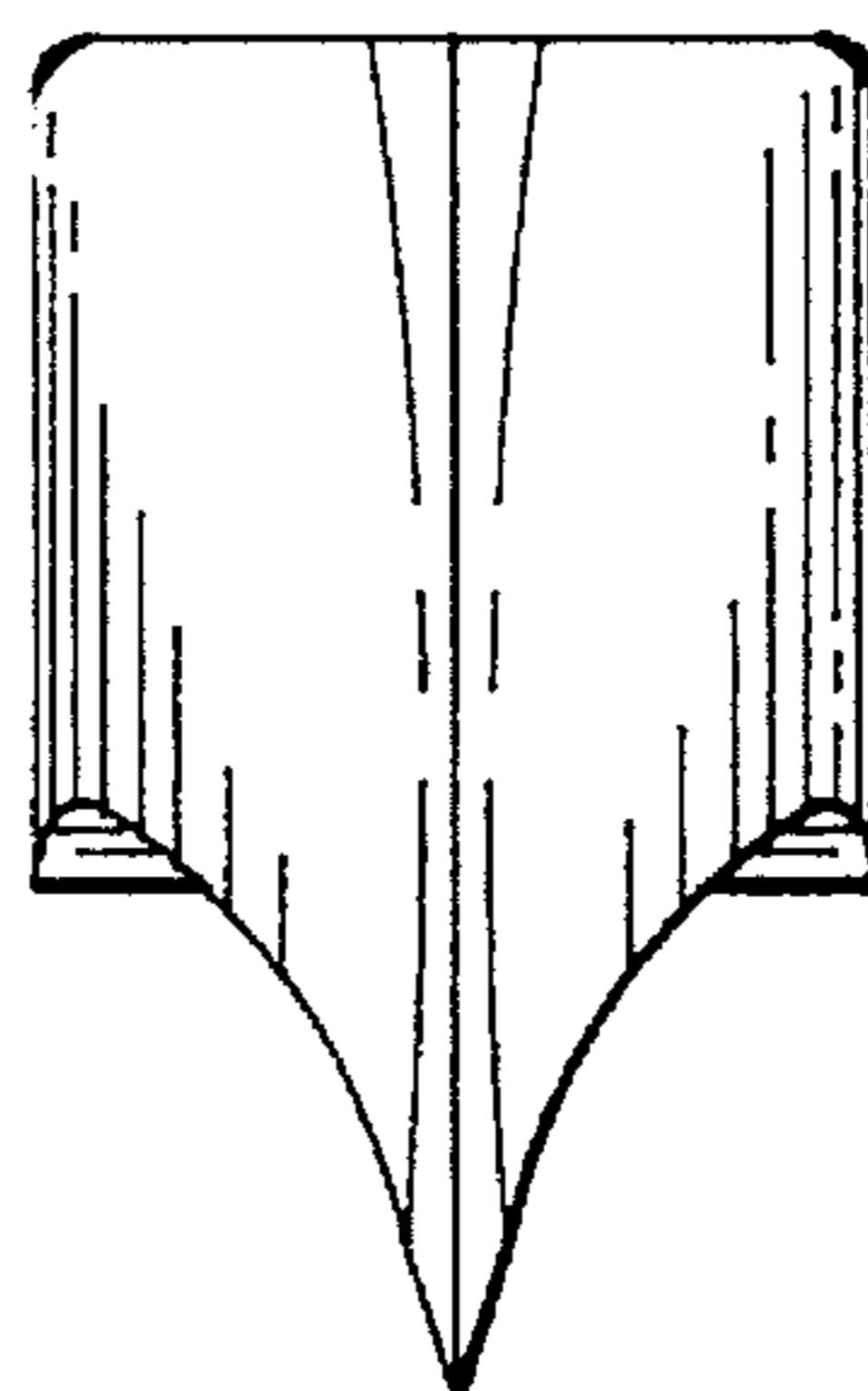


FIG. 5

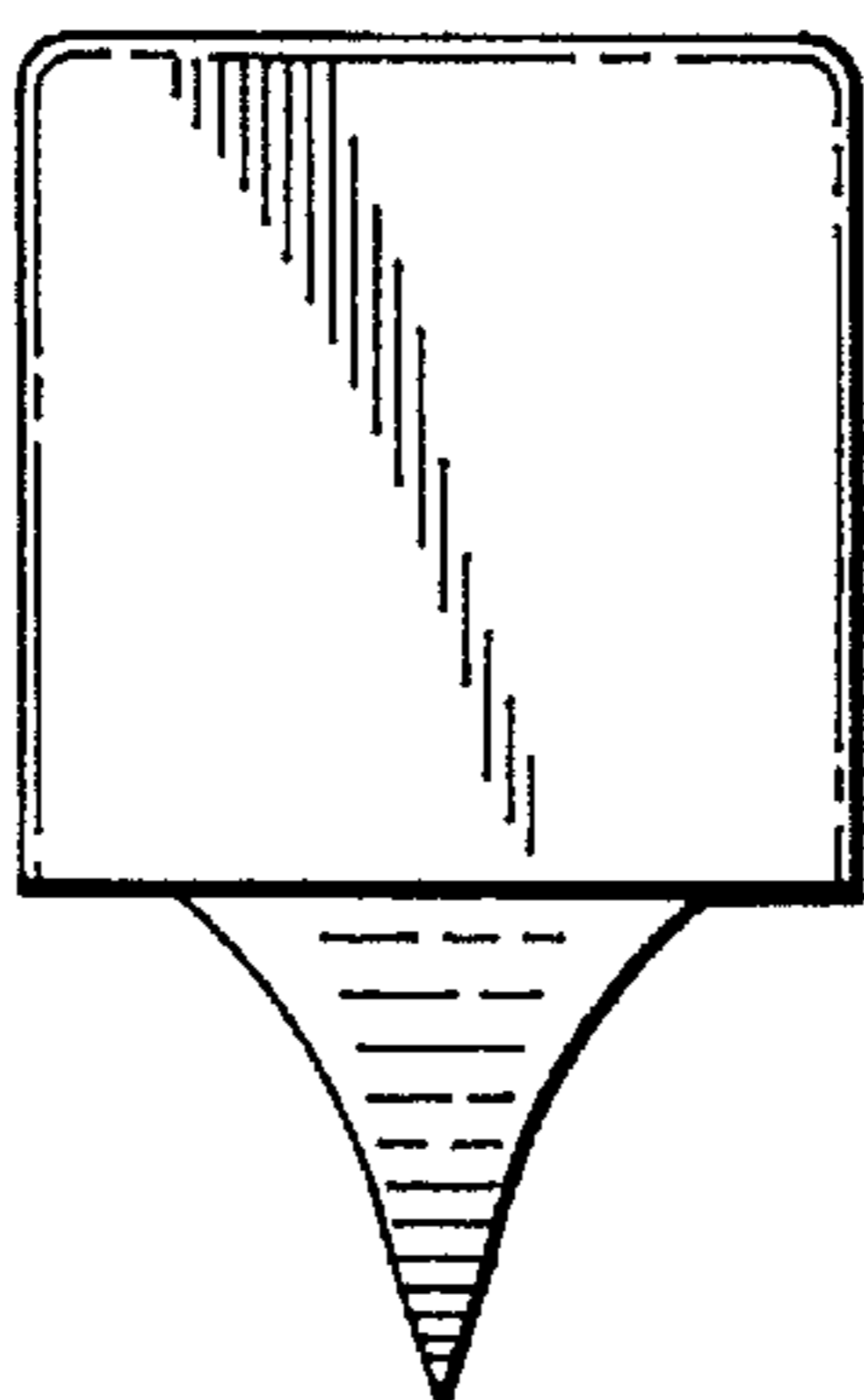


FIG. 6