



US00D378655S

# United States Patent [19]

[11] **Patent Number:** **Des. 378,655**

**Anderson**

[45] **Date of Patent:** **\*\*Apr. 1, 1997**

[54] **POWER DRIVEN GOLF SPIKE WRENCH**

4,679,468 7/1987 Gray .

5,272,943 12/1993 Edwards .

5,461,647 10/1995 Clark et al. .... 81/176.15 X

[76] Inventor: **Jerry P. Anderson**, 3374 Checkmate Dr., Anchorage, Ak. 99508

*Primary Examiner*—Antoine Duval Davis

*Attorney, Agent, or Firm*—Donald A. Kettlestrings

[\*\*] Term: **14 Years**

[57] **CLAIM**

[21] Appl. No.: **53,447**

The ornamental design for a power driven golf spike wrench, as shown and described.

[22] Filed: **Apr. 22, 1996**

### Related U.S. Application Data

### DESCRIPTION

[63] Continuation-in-part of Ser. No. 33,618, Jan. 17, 1995, abandoned.

FIG. 1 is a perspective view of the power driven golf spike wrench;

[52] **U.S. Cl.** ..... **D8/70**

FIG. 2 is a front elevation view of the power driven golf spike wrench;

[58] **Field of Search** ..... D8/21, 27, 70;  
D21/234; 81/52, 119, 120, 121.1, 176.1,  
176.15, 176.2, 436, 461

FIG. 3 is a rear elevation view of the power driven golf spike wrench;

FIG. 4 is a left-side elevation view of the power driven golf spike wrench; and

FIG. 5 is a right-side elevation view of the power driven golf spike wrench;

[56] **References Cited**

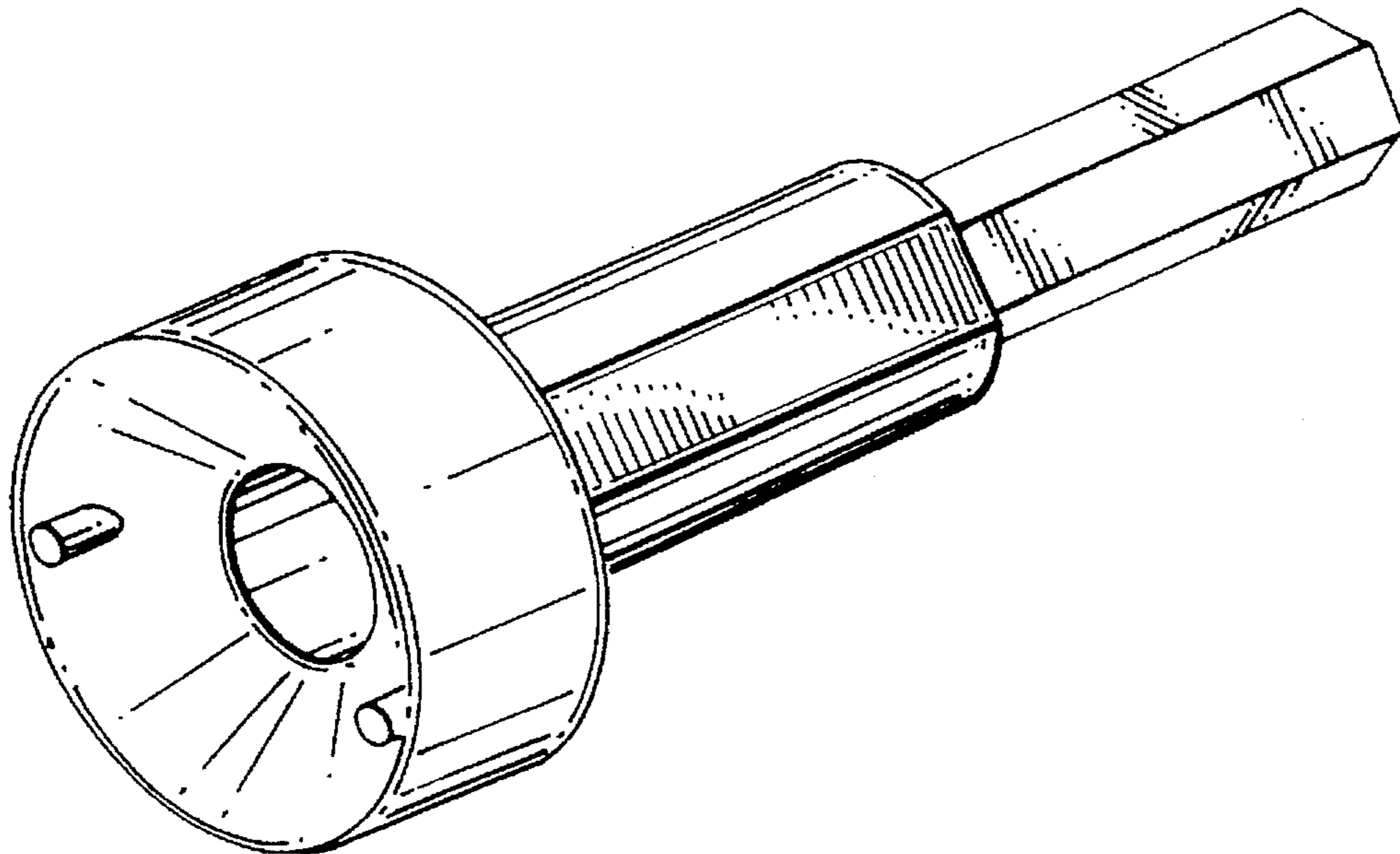
#### U.S. PATENT DOCUMENTS

- D. 222,390 10/1971 Pinette .
- D. 242,871 12/1976 Magnusson .
- D. 269,493 6/1983 Koturov et al. .
- D. 342,004 12/1993 Wettstein .
- D. 343,346 1/1994 Sadler .
- D. 353,315 12/1994 Romeo .
- D. 356,016 3/1995 Jewell .

FIG. 6 is a top plan view of the power driven golf spike wrench; and,

FIG. 7 is a bottom plan view of the power driven golf spike wrench.

**1 Claim, 2 Drawing Sheets**



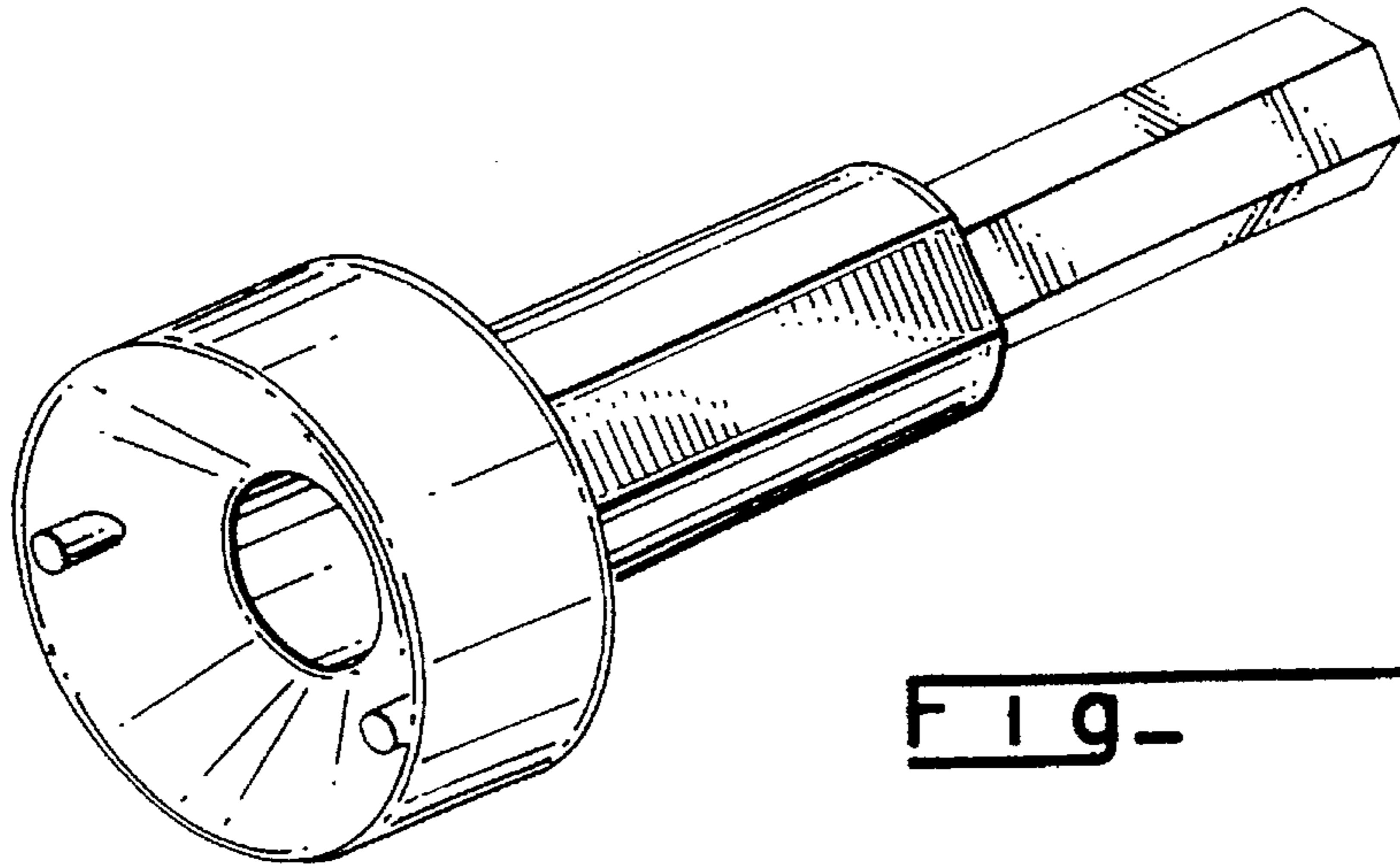


FIG - 1

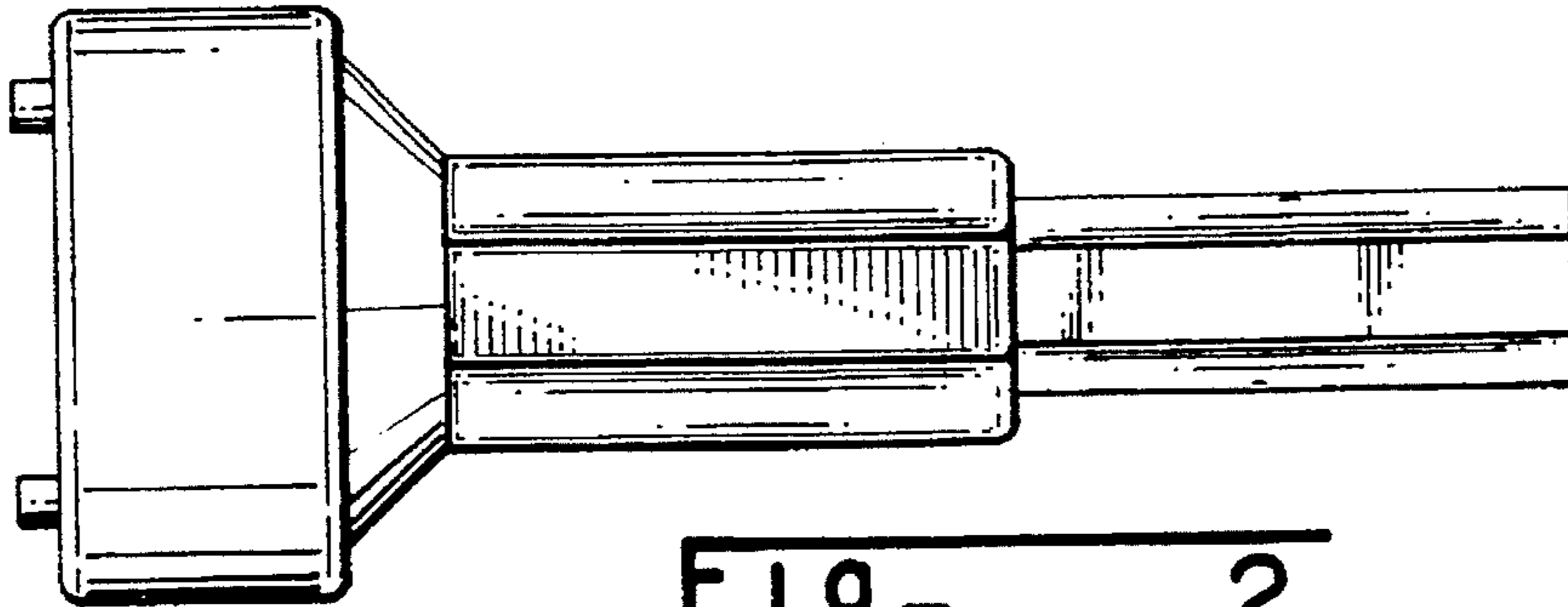


FIG - 2

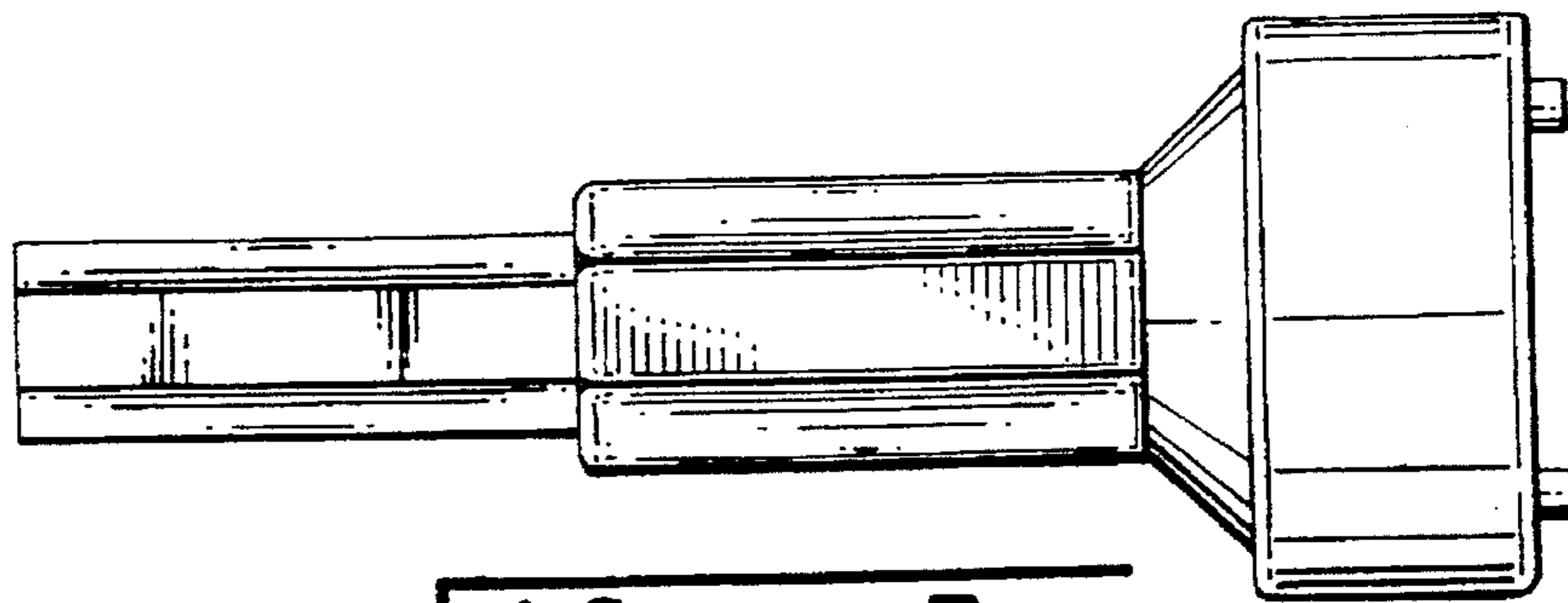


FIG - 3

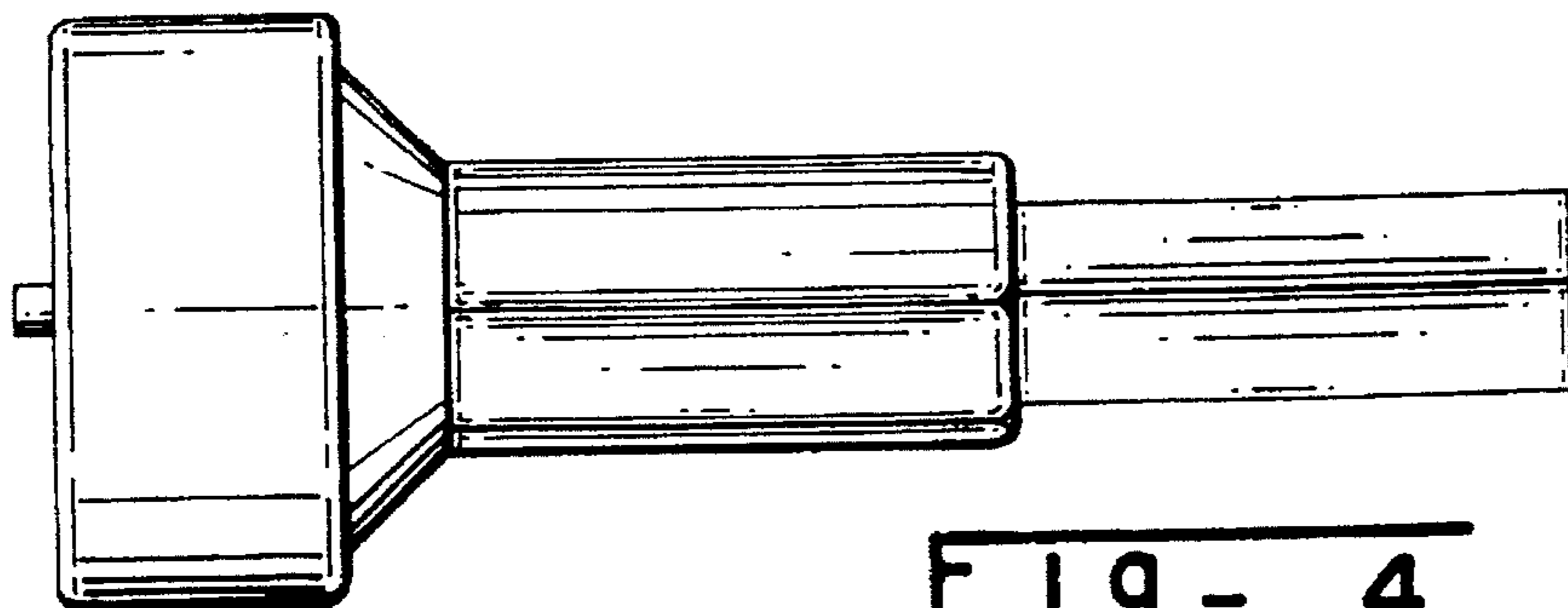
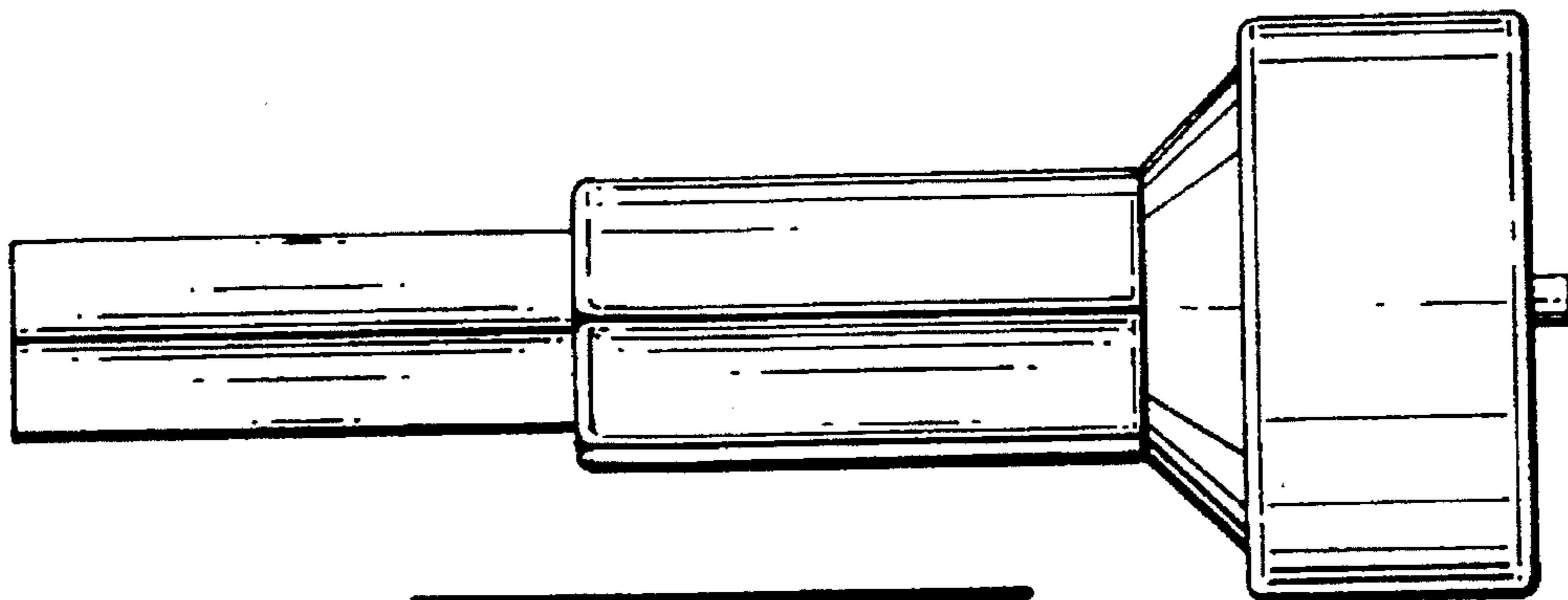
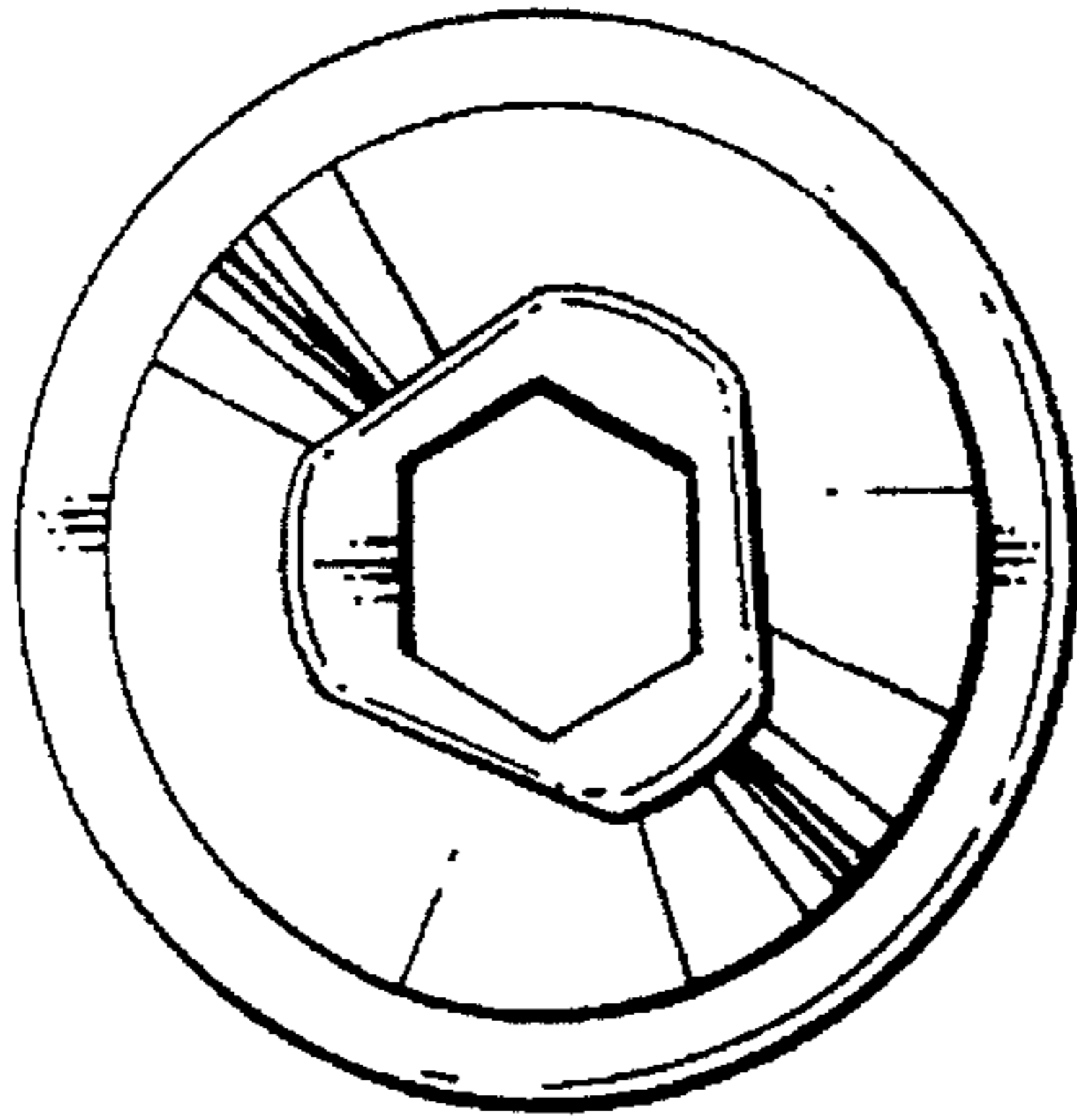


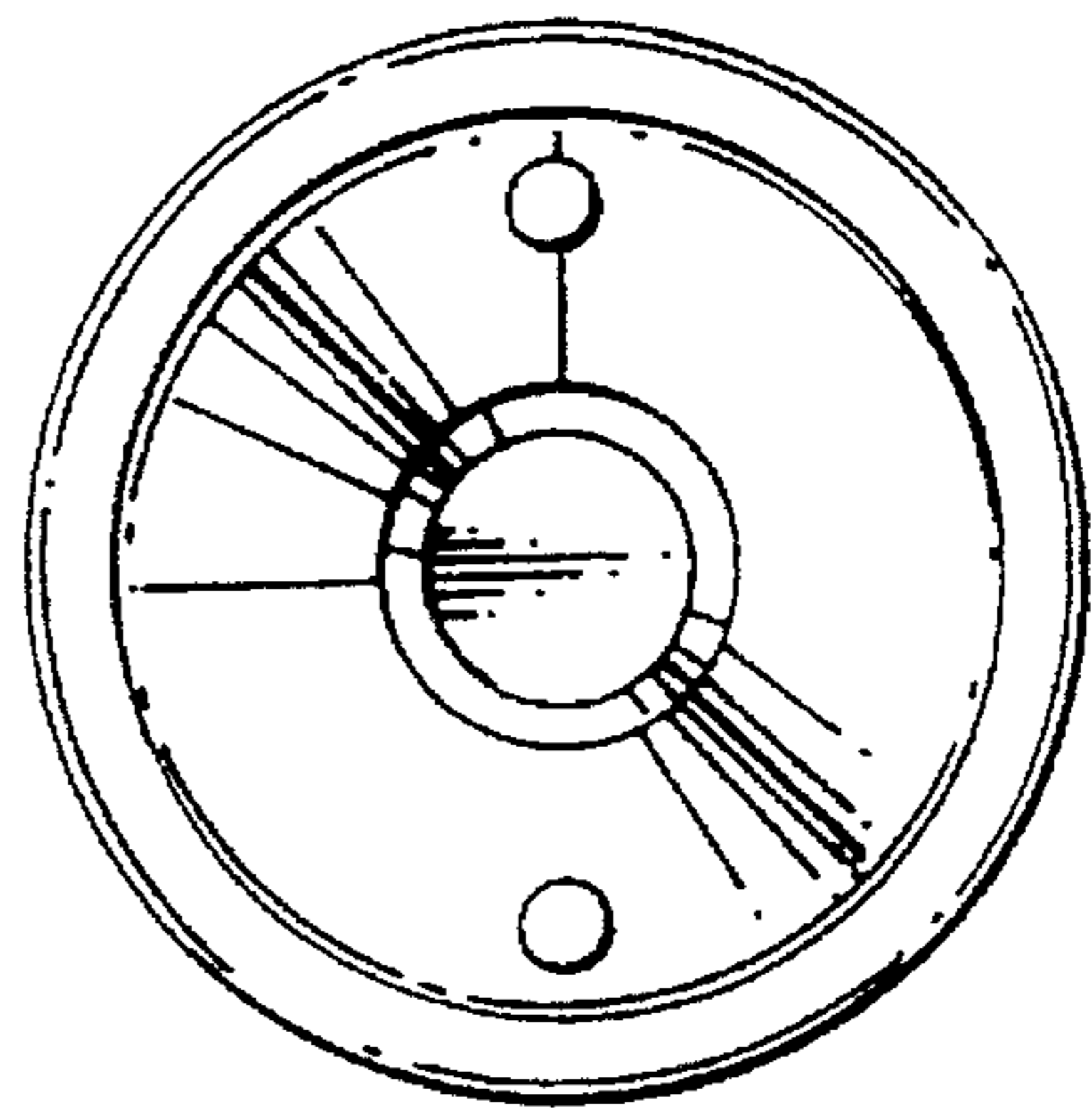
FIG - 4



**FIG - 5**



**FIG - 6**



**FIG - 7**