



US00D378654S

United States Patent [19]

[11] Patent Number: **Des. 378,654**

Matsuoka et al.

[45] Date of Patent: ****Apr. 1, 1997**

[54] CORDLESS HAMMER

OTHER PUBLICATIONS

[75] Inventors: **Takeshi Matsuoka; Noriaki Kobayashi; Joswari Mohamed**, all of Hitachinaka, Japan

Hammer-Drill illustration, *HAC Magazine*, Feb. 1971, p. 35.

[73] Assignee: **Hitachi Koki Co., Ltd.**, Tokyo, Japan

Skil™ Rotary Hammer Model 1750, illustration bottom right corner of p. 42, *Popular Mechanics Magazine*, May 1987.

[**] Term: **14 Years**

Bosch, "Bulldog™ SDS Rotary Hammer Model 11213RK", Bosch Catalog 9000570300M, dated Sep. 1990, p. 13.

[21] Appl. No.: **46,758**

Electro Pneumatic Rotary Hammer Model PHD 38, AEG Power Tool Catalog 014 420-3/APTC 0386.

[22] Filed: **Nov. 3, 1995**

Primary Examiner—James M. Gandy

Assistant Examiner—Robert M. Spear

[30] Foreign Application Priority Data

Attorney, Agent, or Firm—Lowe, Price, LeBlanc & Becker

Jun. 23, 1995 [JP] Japan 7-18131

[52] U.S. Cl. **D8/69**

[58] Field of Search D8/29.1, 61, 68, D8/69; 81/57.11, 57.13, 57.14, 57.29, 464, 469, DIG. 12; 173/13, 48, 170

[57] CLAIM

The ornamental design for a cordless hammer, as shown.

[56] References Cited

DESCRIPTION

U.S. PATENT DOCUMENTS

D. 280,071	8/1985	Oefinger	D8/61
D. 328,556	8/1992	Fushiya et al.	D8/69
D. 334,876	4/1993	Swedish	D8/29.1
D. 349,029	7/1994	Matsunaga et al.	D8/69
4,378,053	3/1983	Simpson	173/48
4,930,583	6/1990	Fushiya et al.	173/170

FIG. 1 is a front perspective view of the cordless hammer; FIG. 2 is a left side elevational view thereof; FIG. 3 is a right side elevational view thereof; FIG. 4 is a front elevational view thereof; FIG. 5 is a rear elevational view thereof; FIG. 6 is a top plan view thereof; and, FIG. 7 is a bottom plan view thereof.

1 Claim, 3 Drawing Sheets

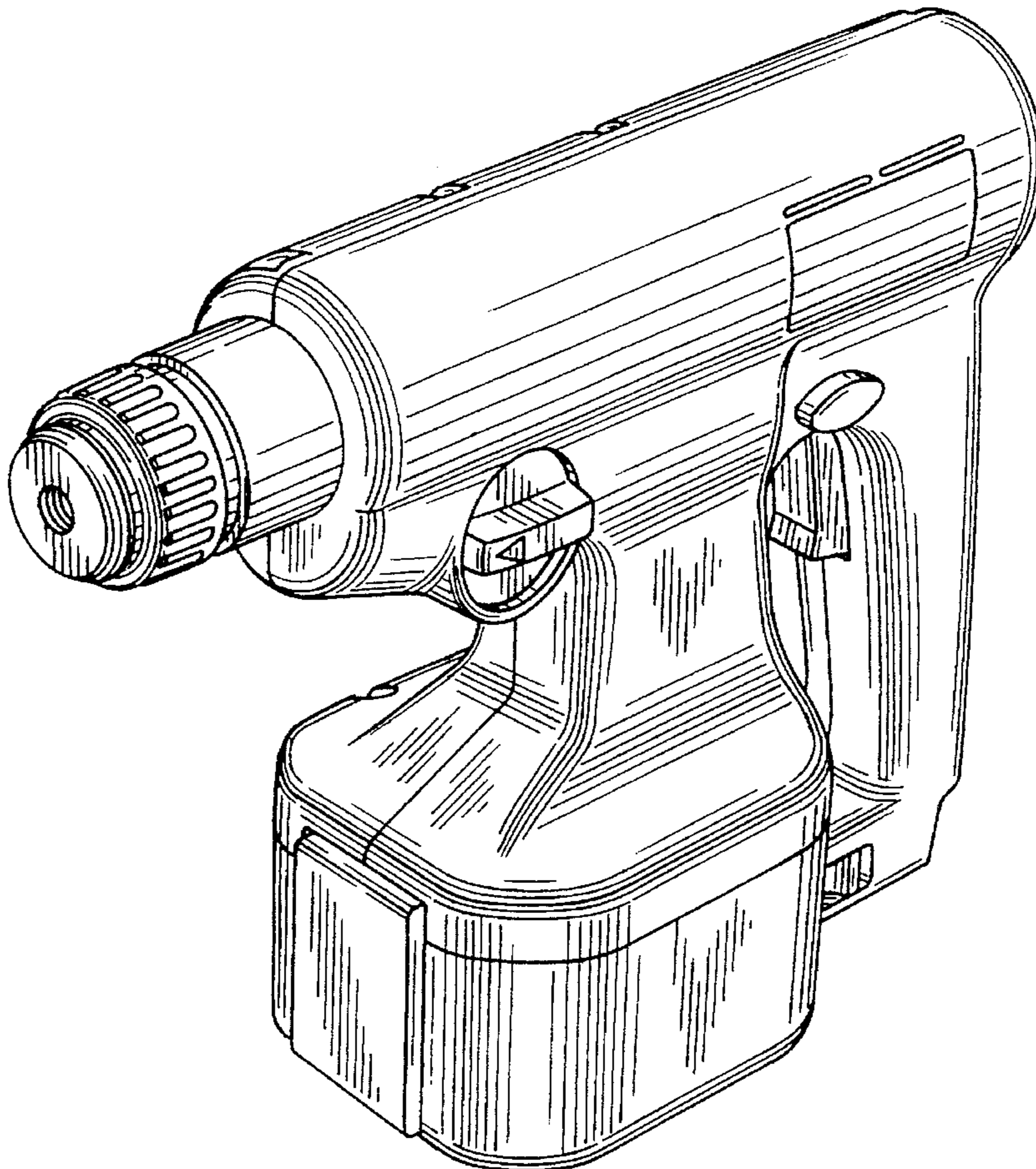


FIG. 1

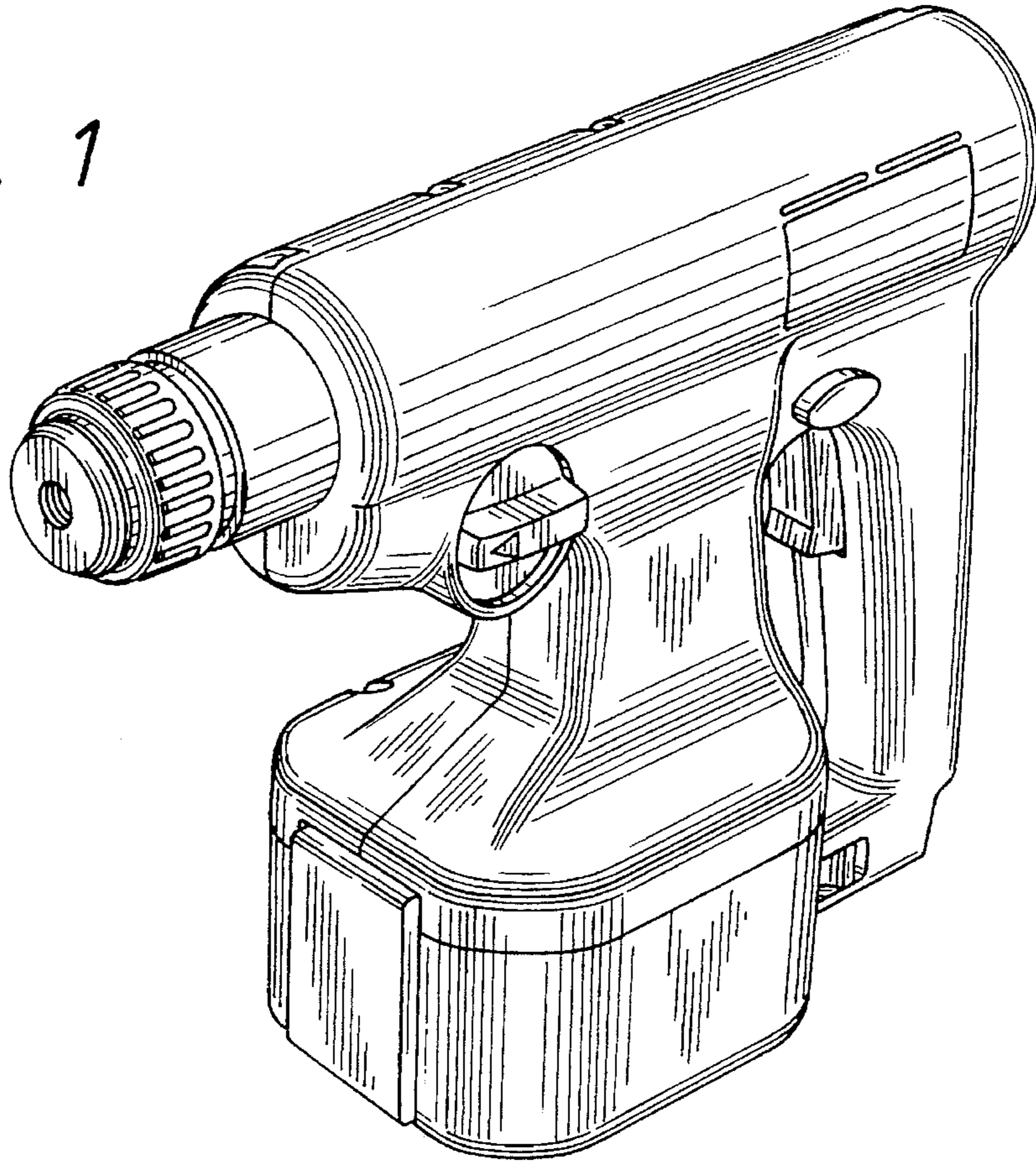


FIG. 2

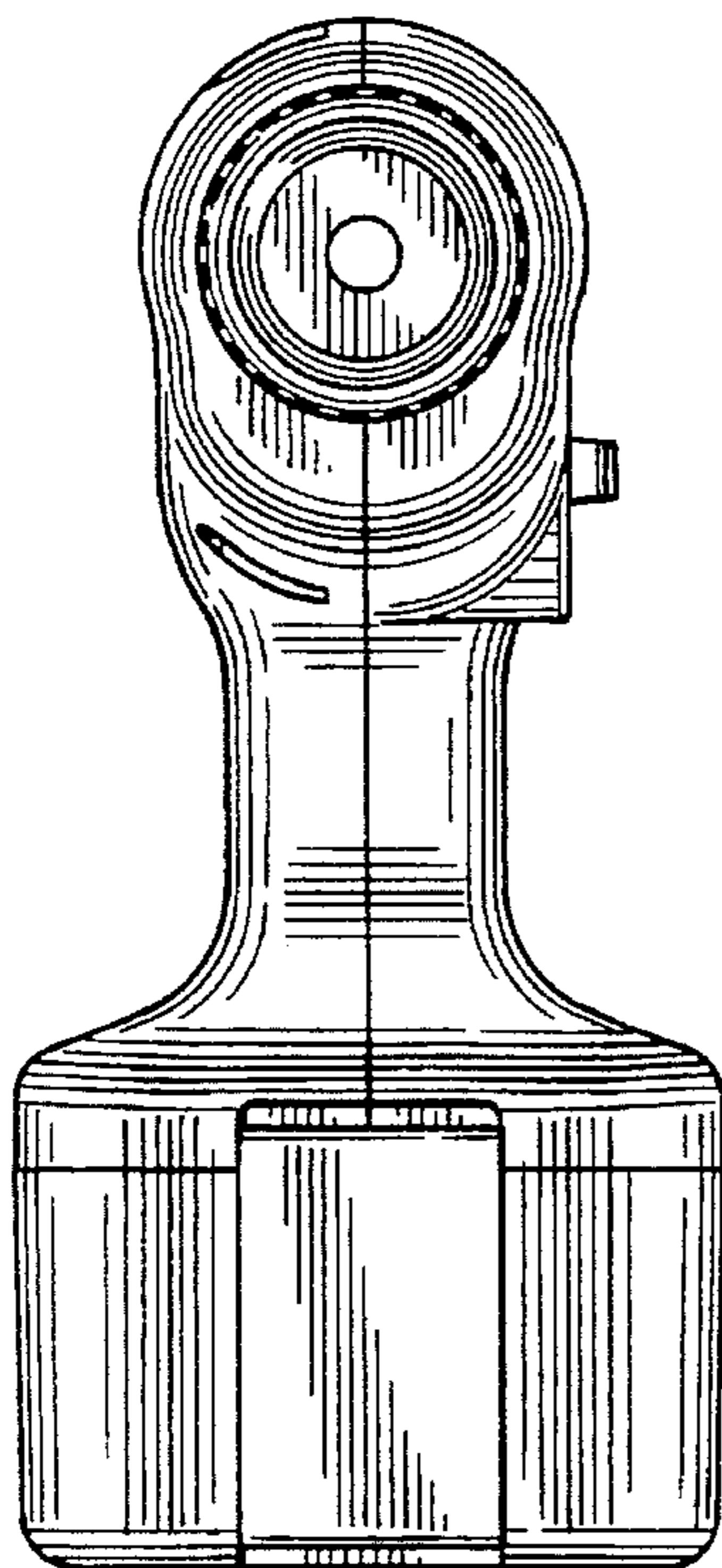


FIG. 3

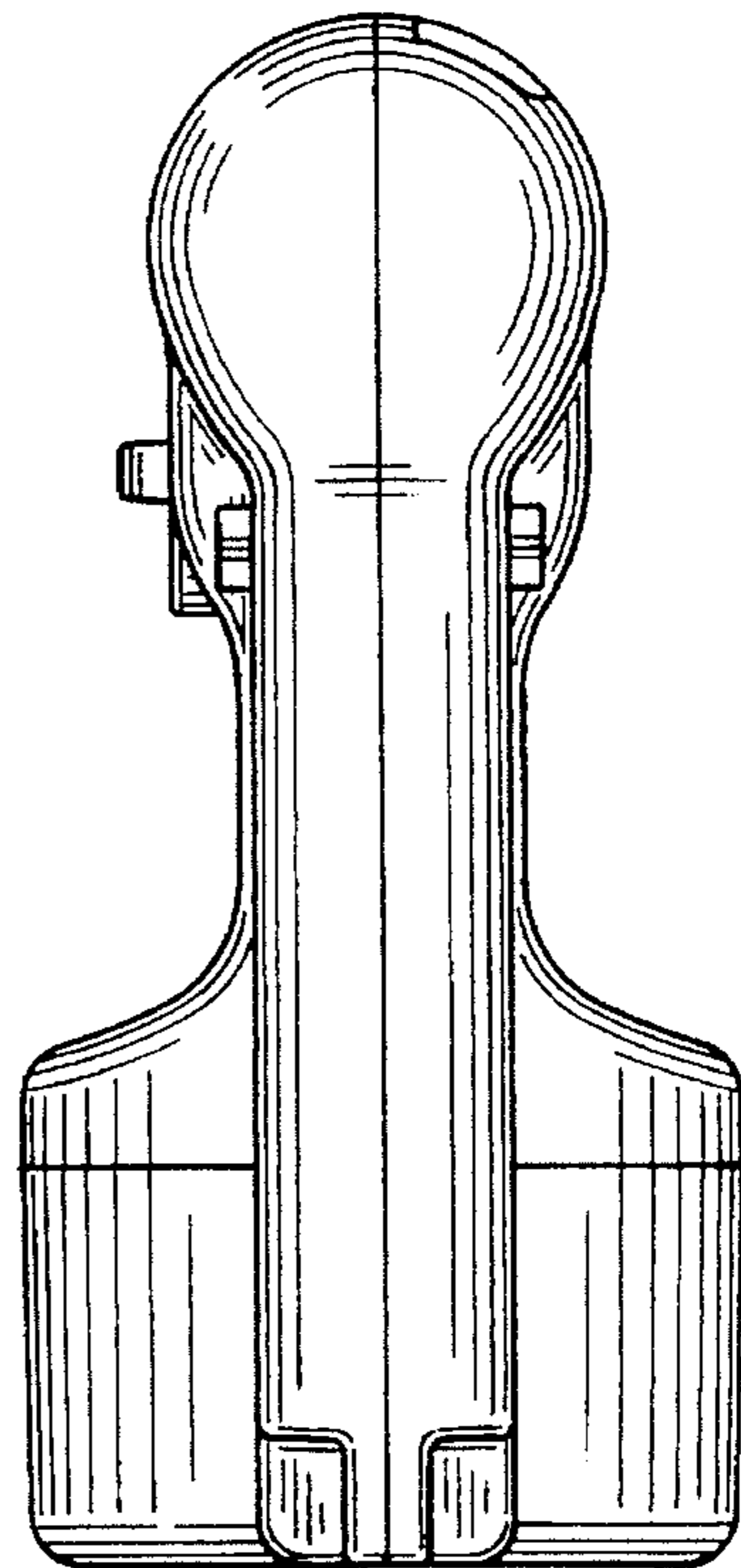


FIG. 4

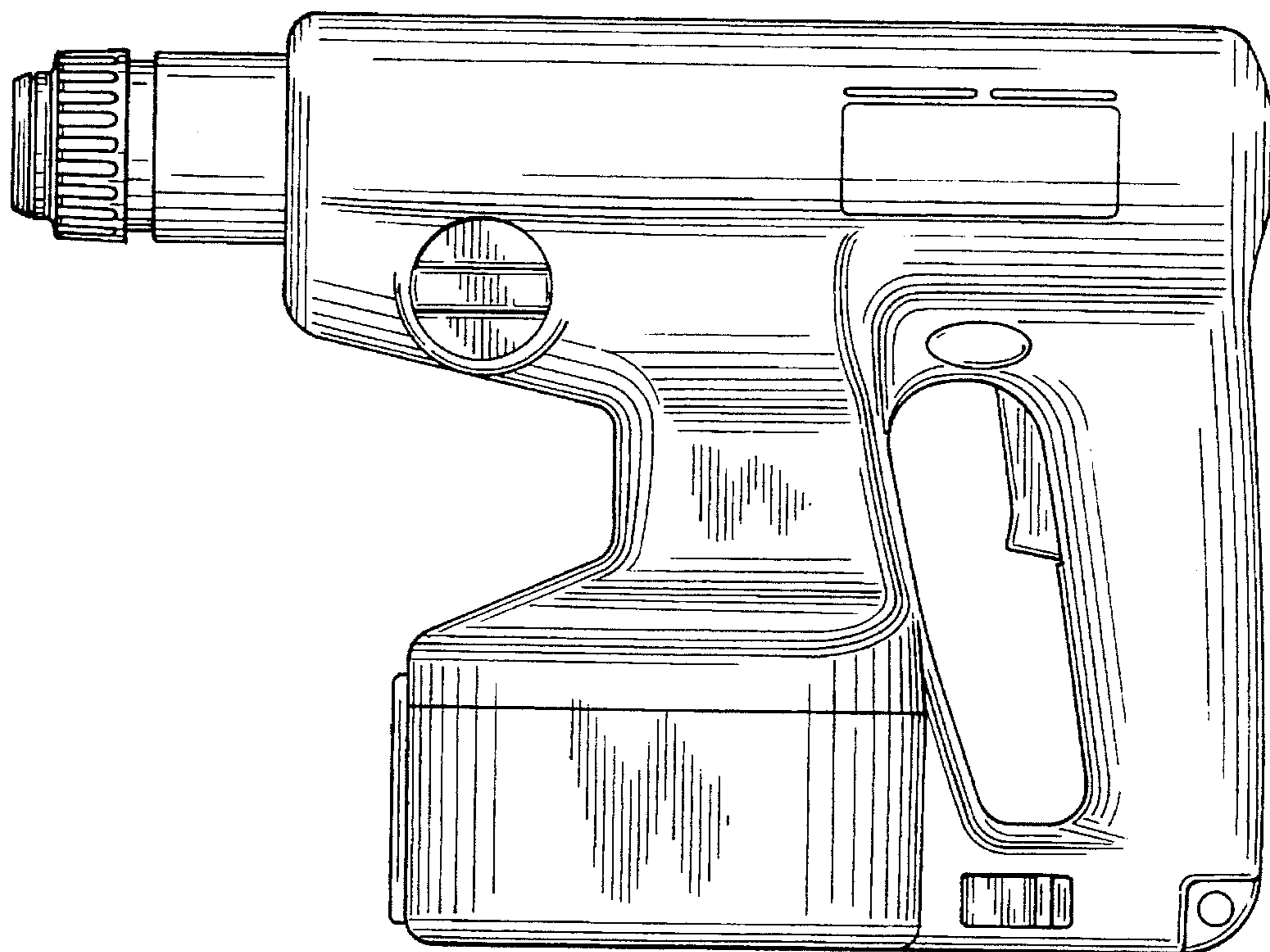


FIG. 5

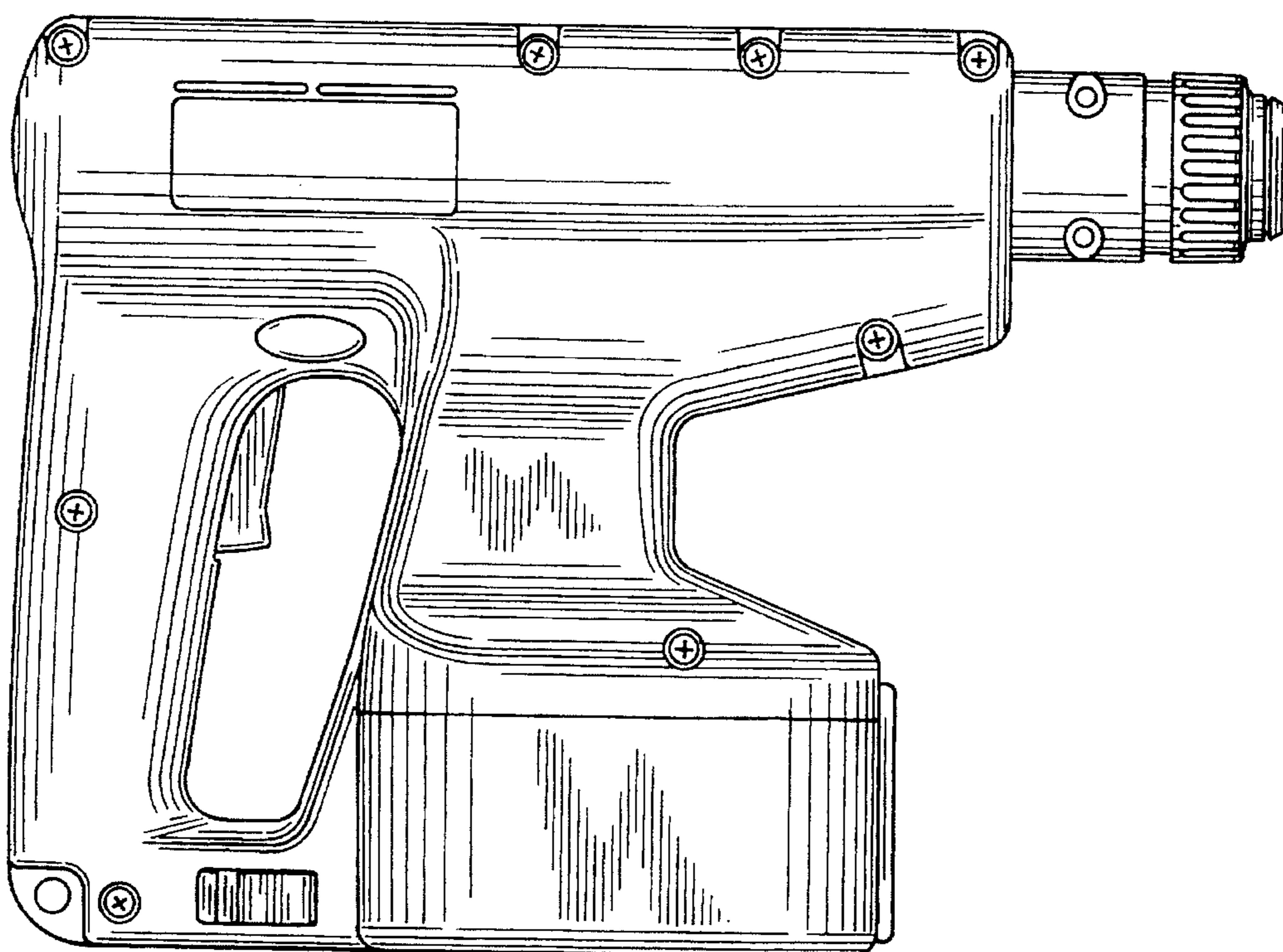


FIG. 6

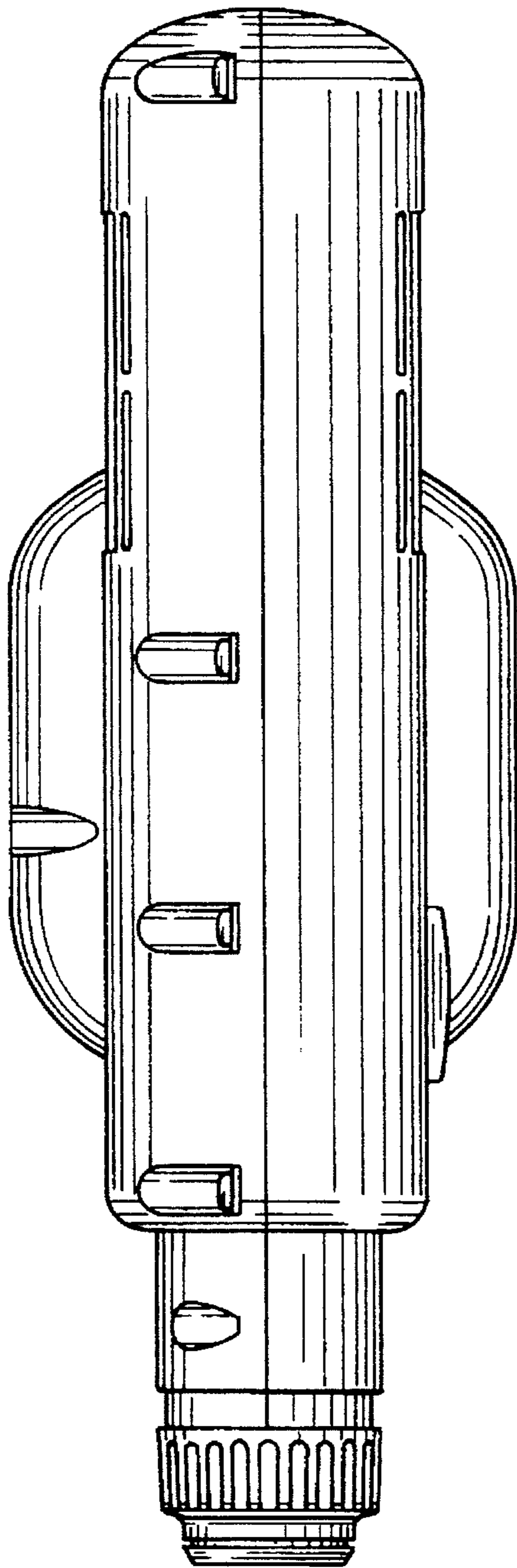


FIG. 7

