



US00D378653S

United States Patent [19]

[11] Patent Number: **Des. 378,653**

Richardi

[45] Date of Patent: ****Apr. 1, 1997**

[54] **HERB GRINDER**

Primary Examiner—Terry A. Wallace

[76] Inventor: **Anthony M. Richardi**, 5 Nickerson Ave., Taunton, Mass. 02780

Attorney, Agent, or Firm—Harold H. Dutton, Jr.; W. Charles L. Jamison; Diane F. Liebman

[**] Term: **14 Years**

[57] **CLAIM**

[21] Appl. No.: **46,847**

The ornamental design for a herb grinder, as shown and described.

[22] Filed: **Nov. 16, 1995**

DESCRIPTION

[52] U.S. Cl. **D7/679**

[58] Field of Search D7/679, 372, 373;
241/95, 101.01, 168, 169, 169.1, DIG. 17,
DIG. 27

FIG. 1 is an exploded perspective view of a herb grinder showing my new design;

FIG. 2 is a front view thereof;

FIG. 3 is a rear view thereof;

FIG. 4 is a left side view thereof;

FIG. 5 is a top end view thereof; and,

FIG. 6 is a bottom end view thereof.

The right side view is a mirror image of FIG. 4.

[56] **References Cited**

U.S. PATENT DOCUMENTS

| | | | | |
|------------|---------|------------|-------|-----------|
| D. 233,204 | 10/1974 | Fisher | | D7/678 |
| D. 269,489 | 6/1983 | Akita | | D7/679 X |
| D. 352,640 | 11/1994 | Kibbe | | D7/679 |
| 5,360,170 | 11/1994 | Cartellone | | 241/169.1 |

1 Claim, 3 Drawing Sheets

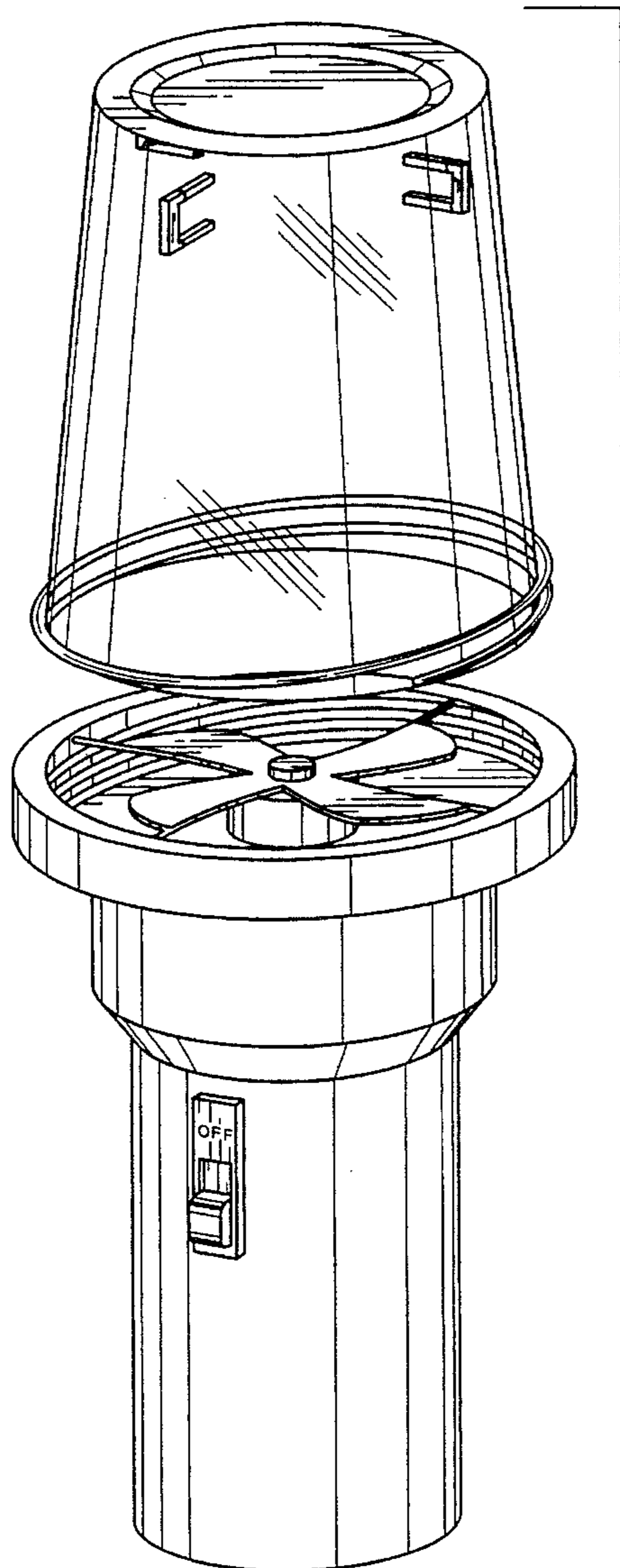
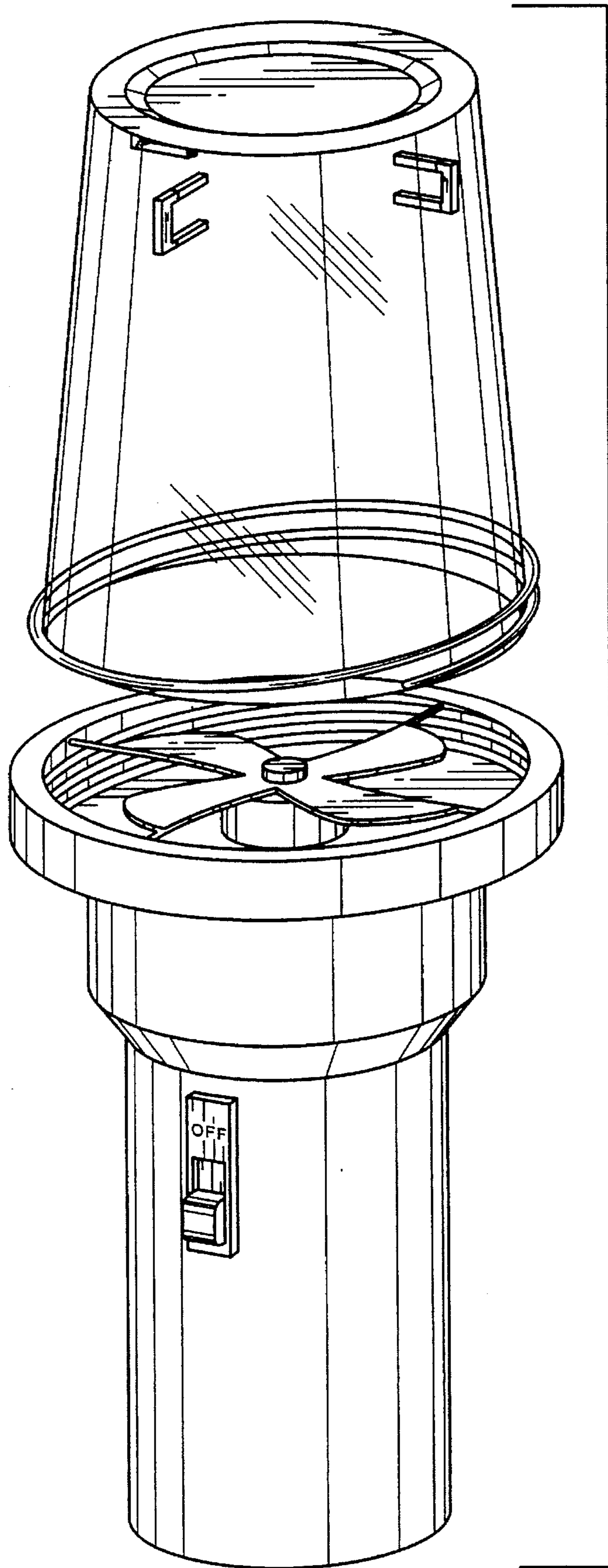


FIG. 1



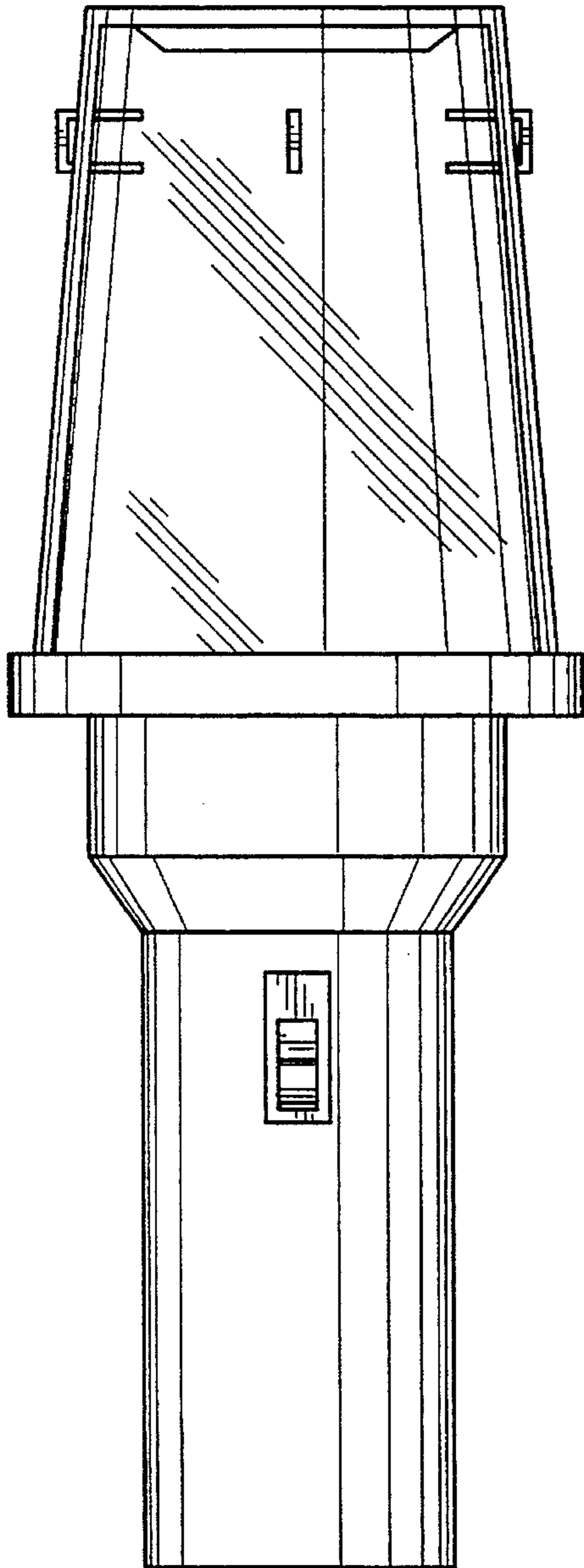


FIG. 2

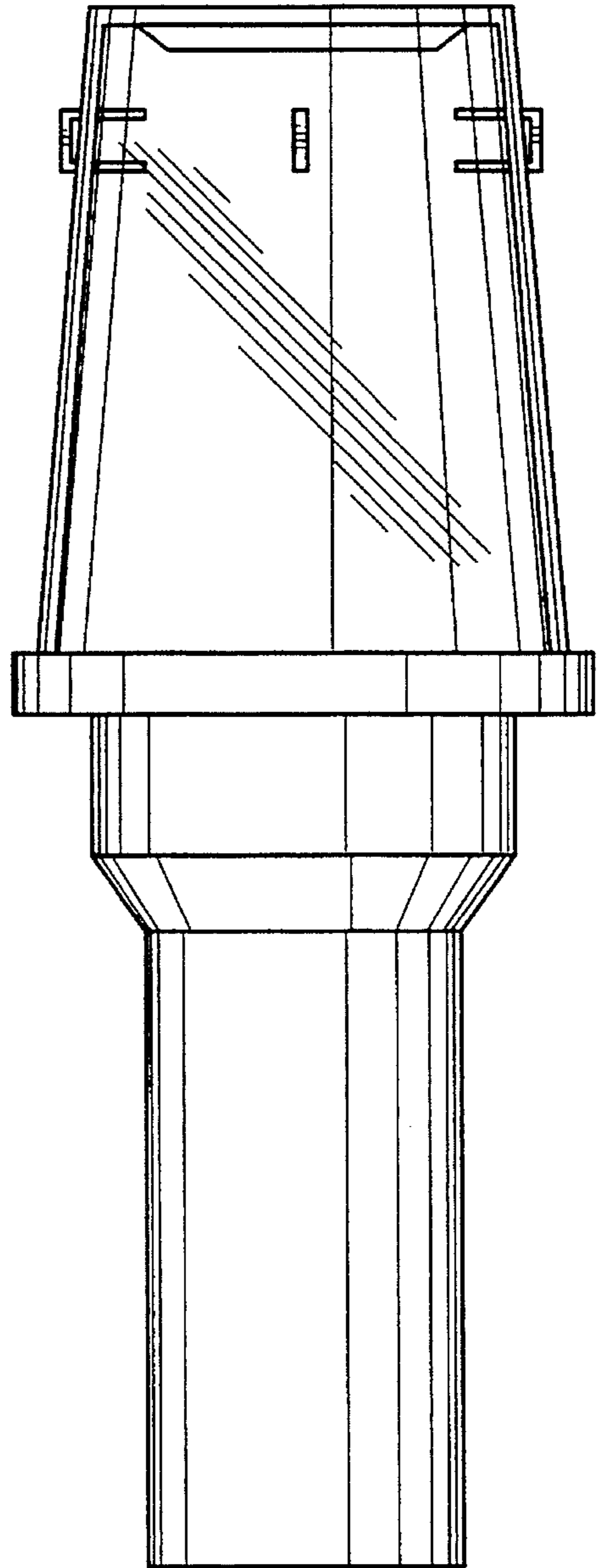


FIG. 3

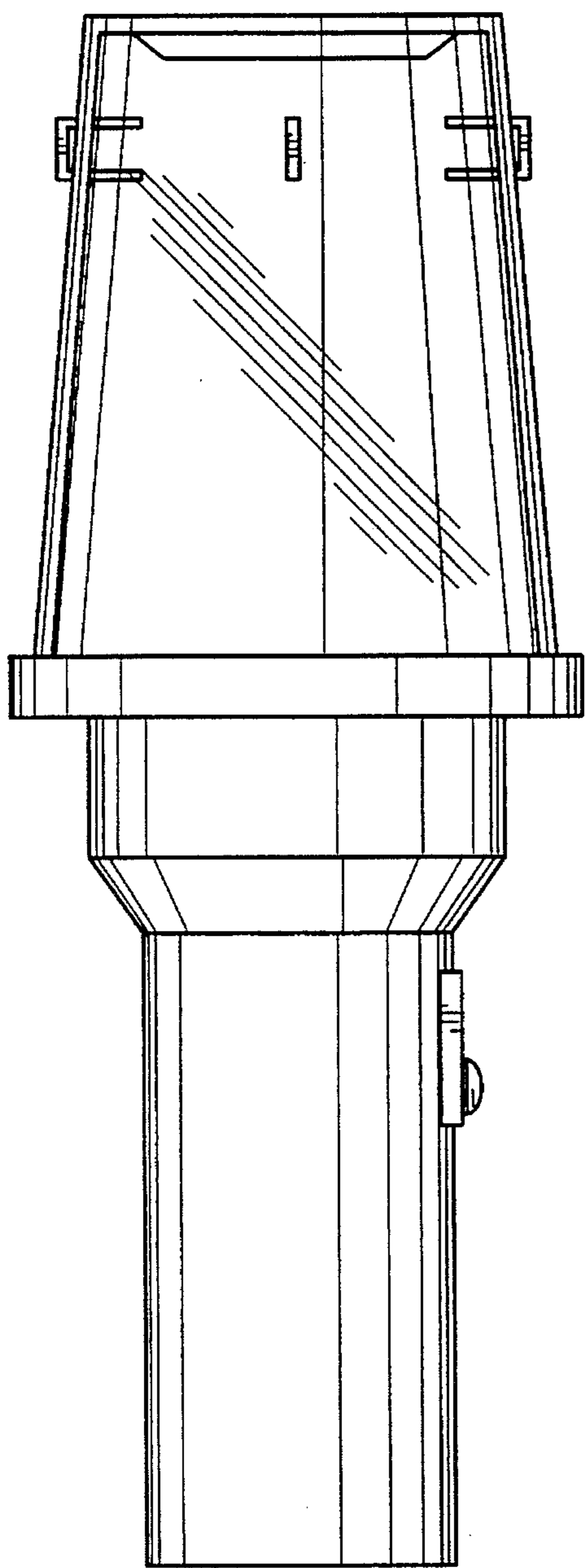


FIG. 4

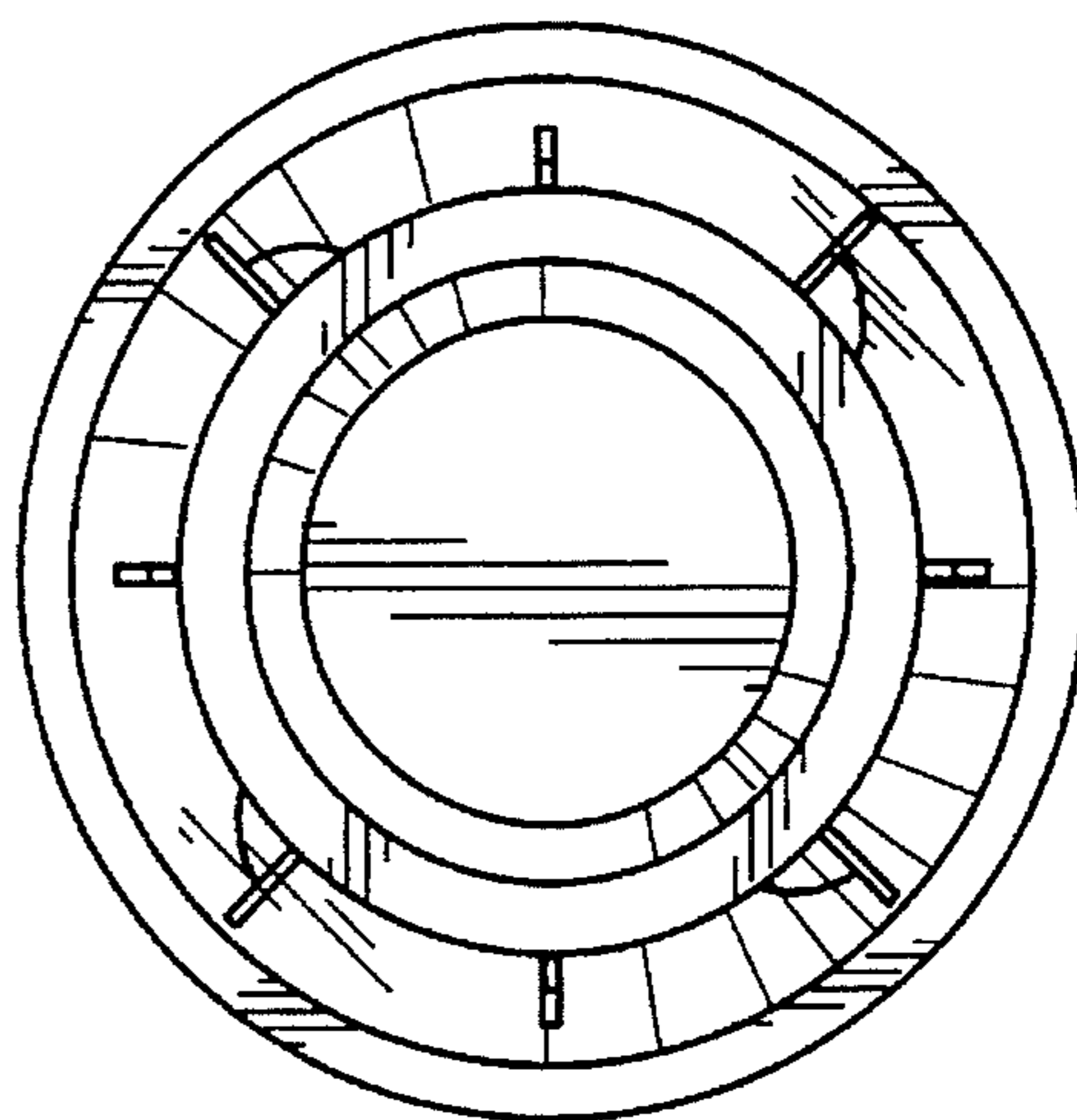


FIG. 5

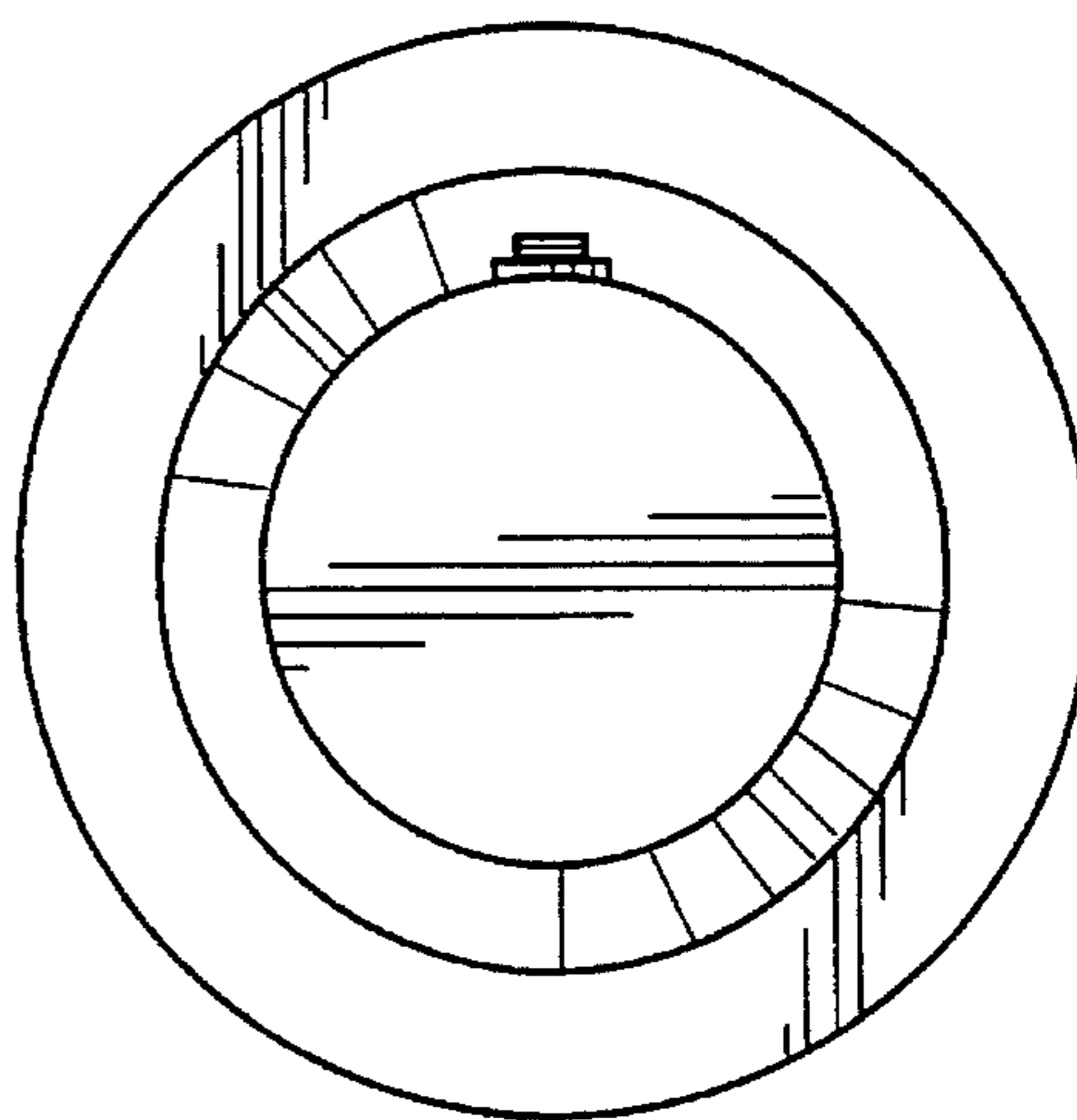


FIG. 6