



US00D378650S

United States Patent [19]
Wong

[11] **Patent Number: Des. 378,650**

[45] **Date of Patent: **Apr. 1, 1997**

[54] **LIQUID DISPENSER**

[76] Inventor: **Don M. Wong**, 2296 Bunker Hill Dr.,
San Mateo, Calif. 94402

[**] Term: **14 Years**

[21] Appl. No.: **43,443**

[22] Filed: **Aug. 7, 1995**

[52] U.S. Cl. **D7/397**; D7/387; D7/400

[58] Field of Search D7/400, 415, 387,
D7/300, 397, 412, 305, 310, 507, 391,
509, 506, 510, 392.2, 511, 536; D10/46.2;
D9/434; 220/713, 709, 705, 729, 730; 99/295,
306, 300, 286, 304; 215/293; D23/209;
222/465.1

[56] **References Cited**

U.S. PATENT DOCUMENTS

D. 255,313	6/1980	Eckerbout	D7/400
D. 272,308	1/1984	Schlessel	D7/400
D. 332,891	2/1993	Cumberland	D7/400
D. 366,391	1/1996	Haley et al.	D7/397
3,937,134	2/1976	Moltnaar et al.	99/295

4,649,810	3/1987	Wong	.	
4,697,503	10/1987	Okabe et al.	D7/400 X
4,779,522	10/1988	Wong	.	
4,820,054	4/1989	Wong	.	
4,938,125	7/1990	Wong	.	
4,942,807	7/1990	Wong	.	

Primary Examiner—M. N. Pandozzi
Attorney, Agent, or Firm—Townsend and Townsend and
Crew LLP

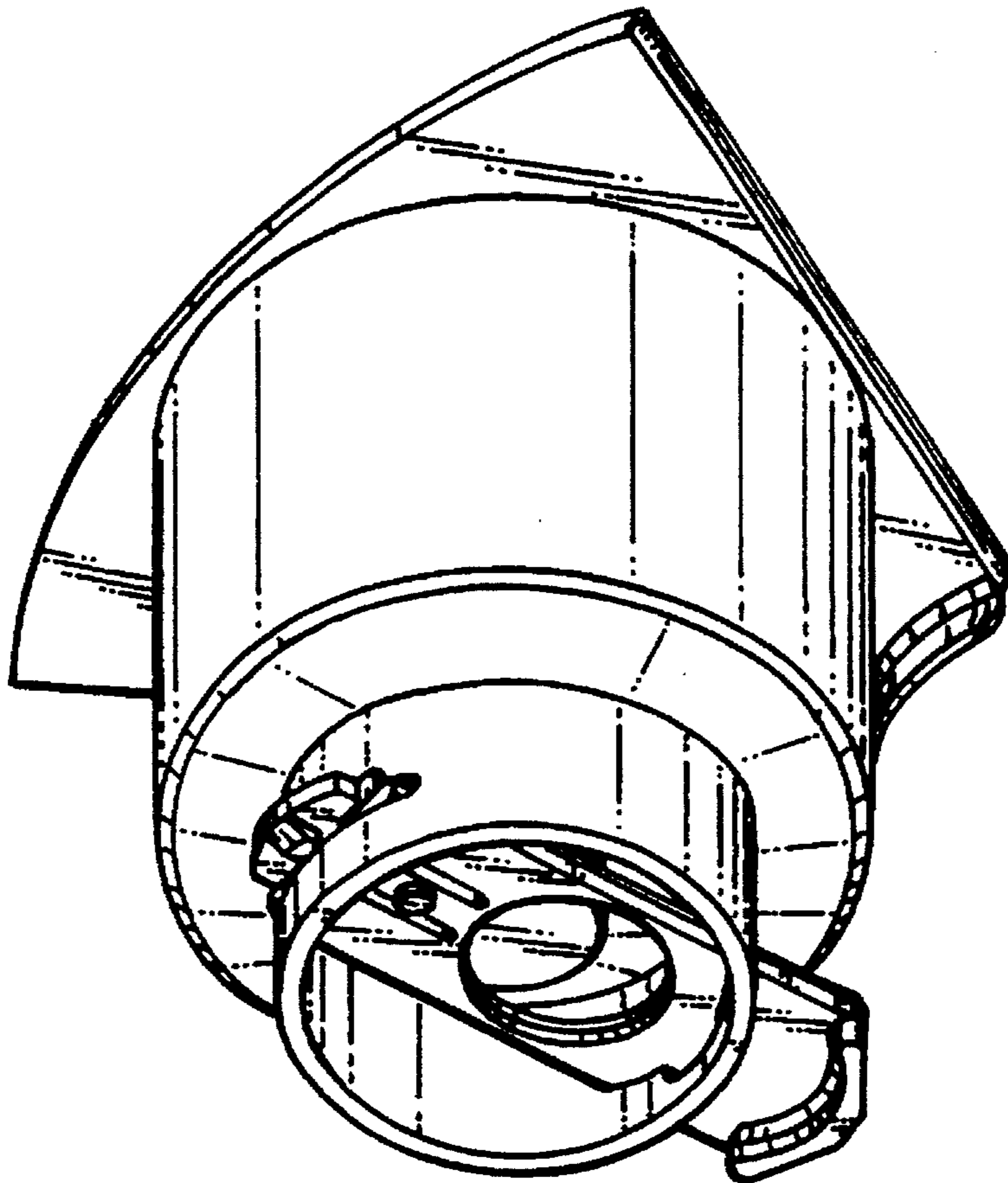
[57] **CLAIM**

The ornamental design for a liquid dispenser, as shown and described.

DESCRIPTION

FIG. 1 is a lower, right, front perspective view of a liquid dispenser showing my new design;
FIG. 2 is a top plan view thereof;
FIG. 3 is a left side elevational view thereof, the right side elevational view being a mirror image;
FIG. 4 is a front elevational view thereof;
FIG. 5 is a rear elevational view thereof;
FIG. 6 is a bottom plan view thereof; and,
FIG. 7 is a lower, right, front perspective view similar to FIG. 1 but with the valve open.

1 Claim, 2 Drawing Sheets



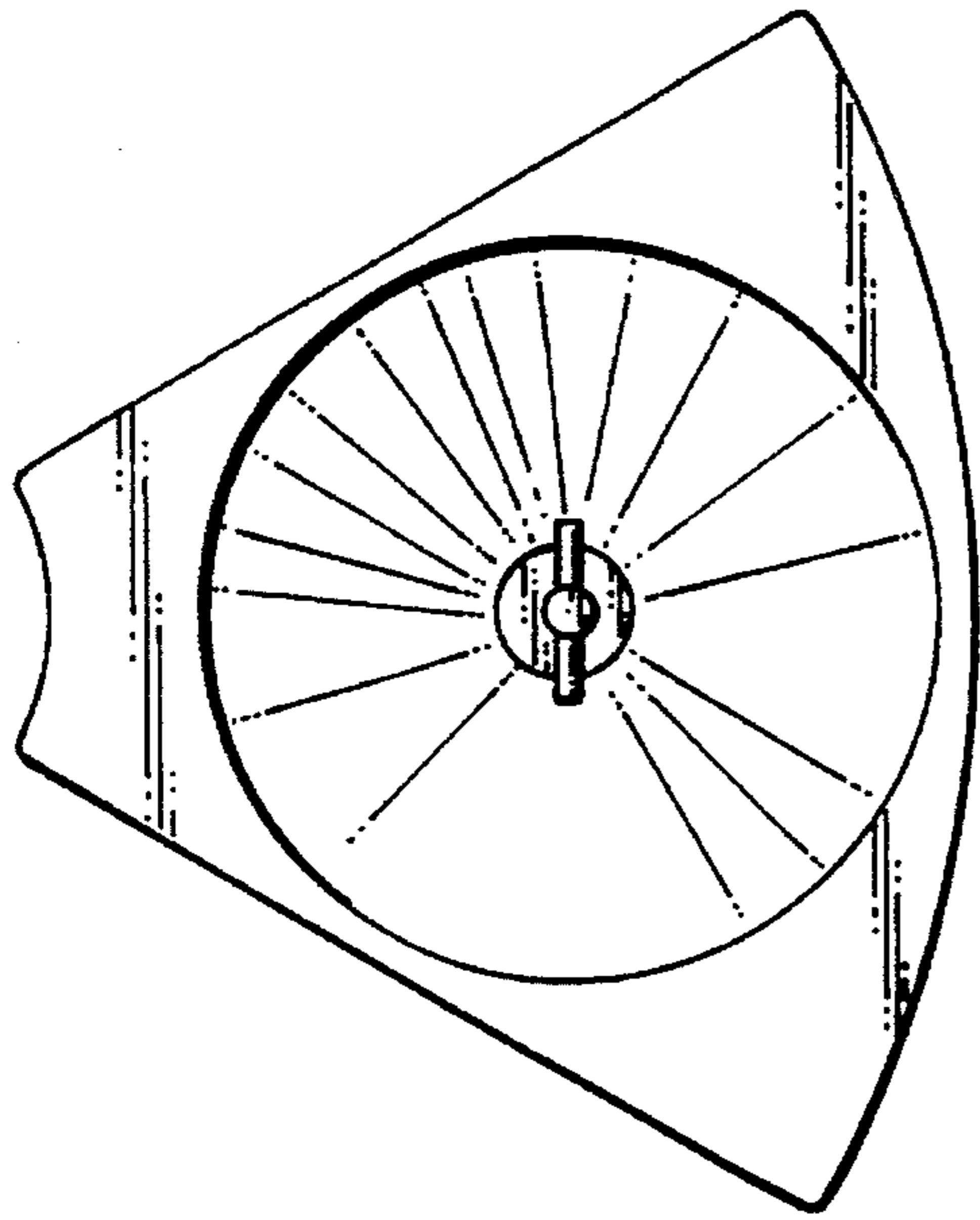


FIG. 2.

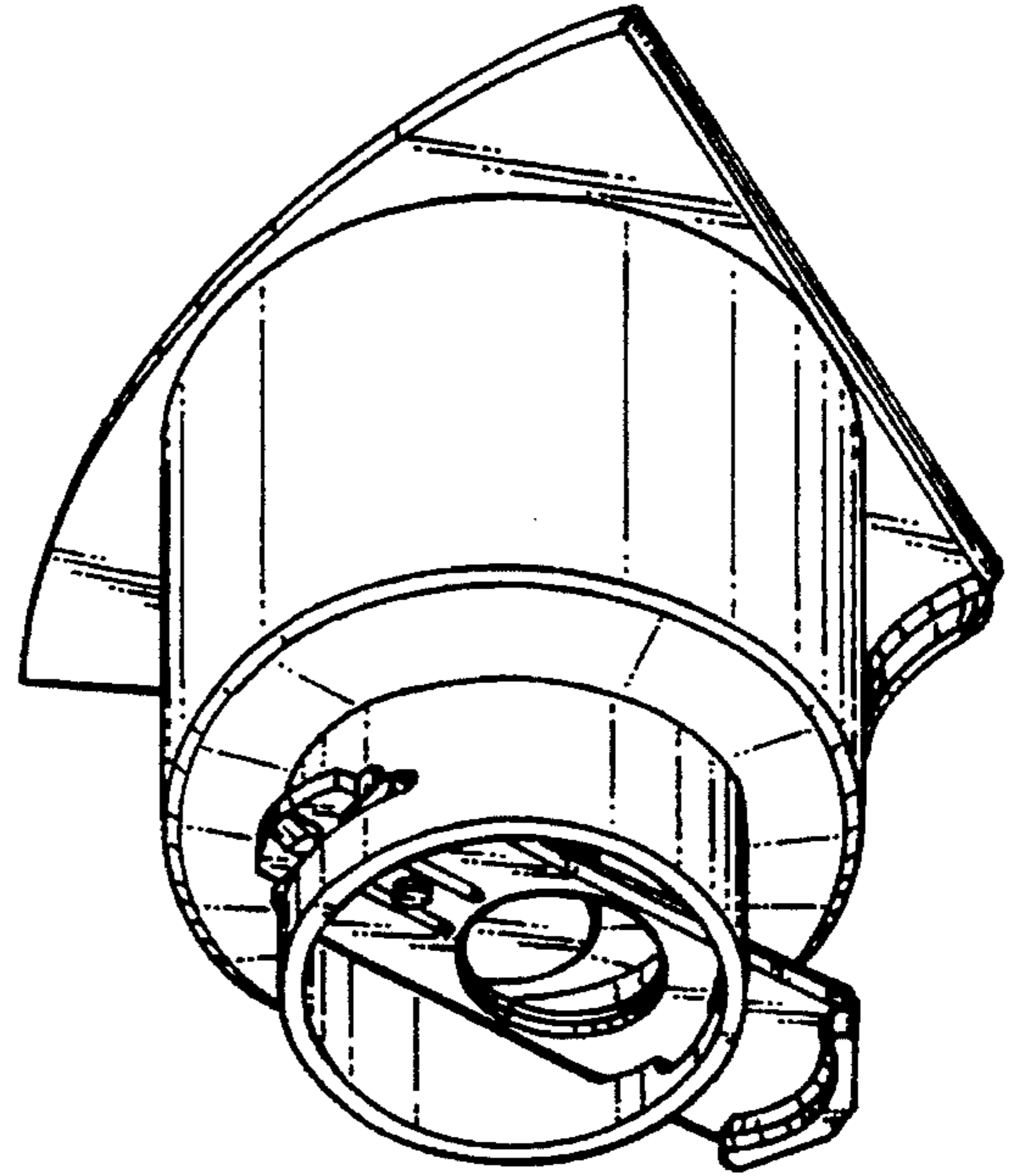


FIG. 1.

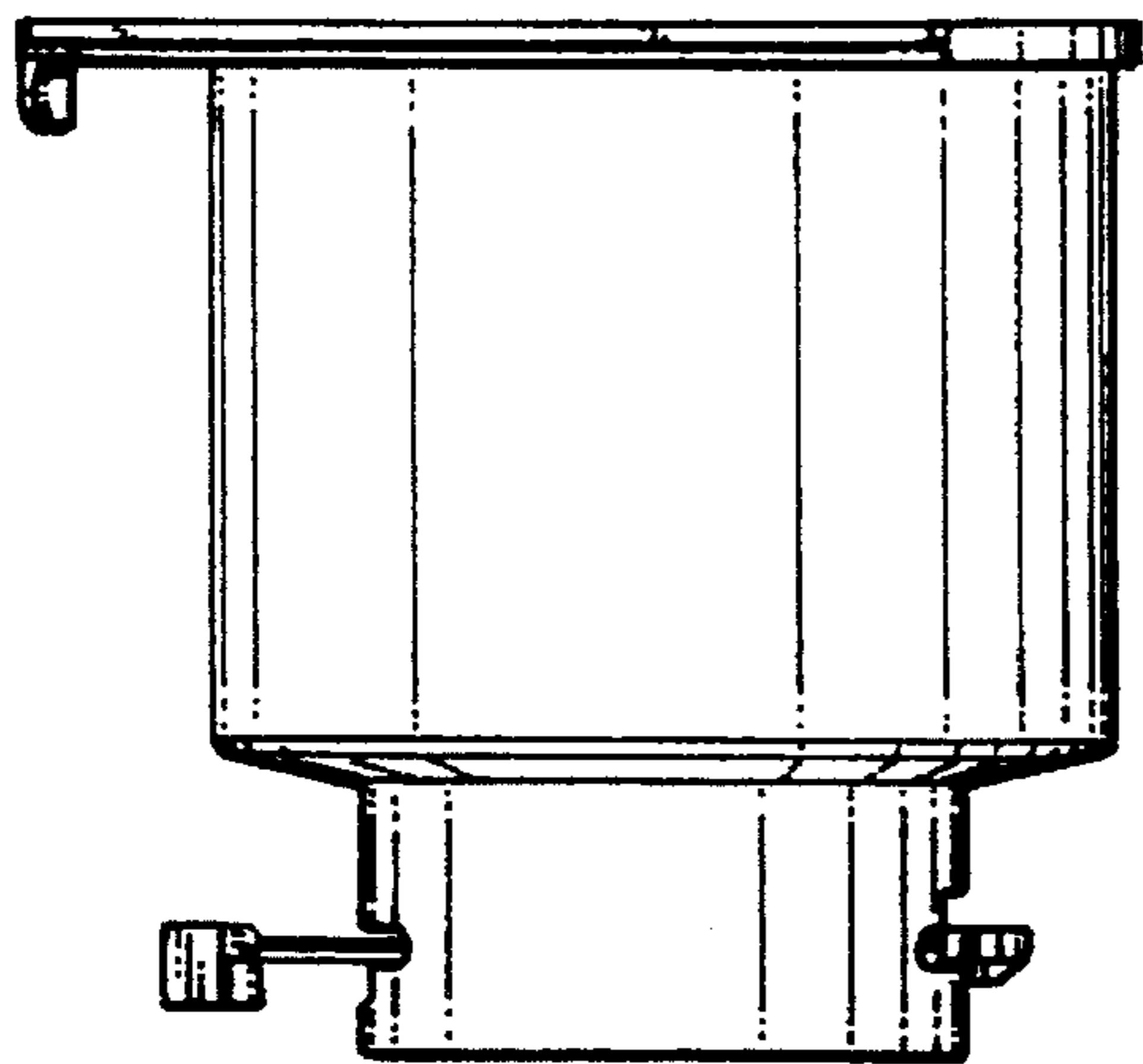


FIG. 3.

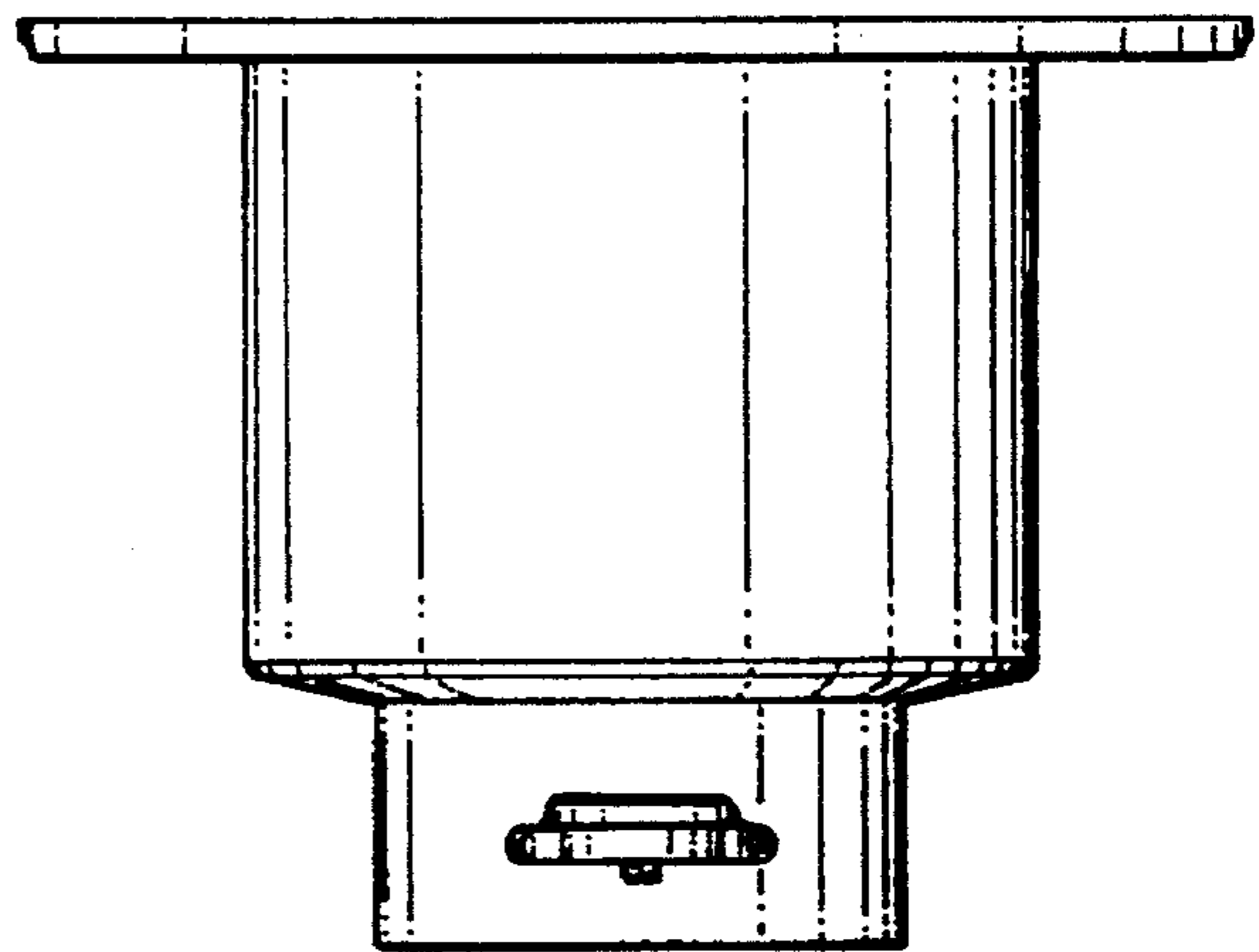


FIG. 4.

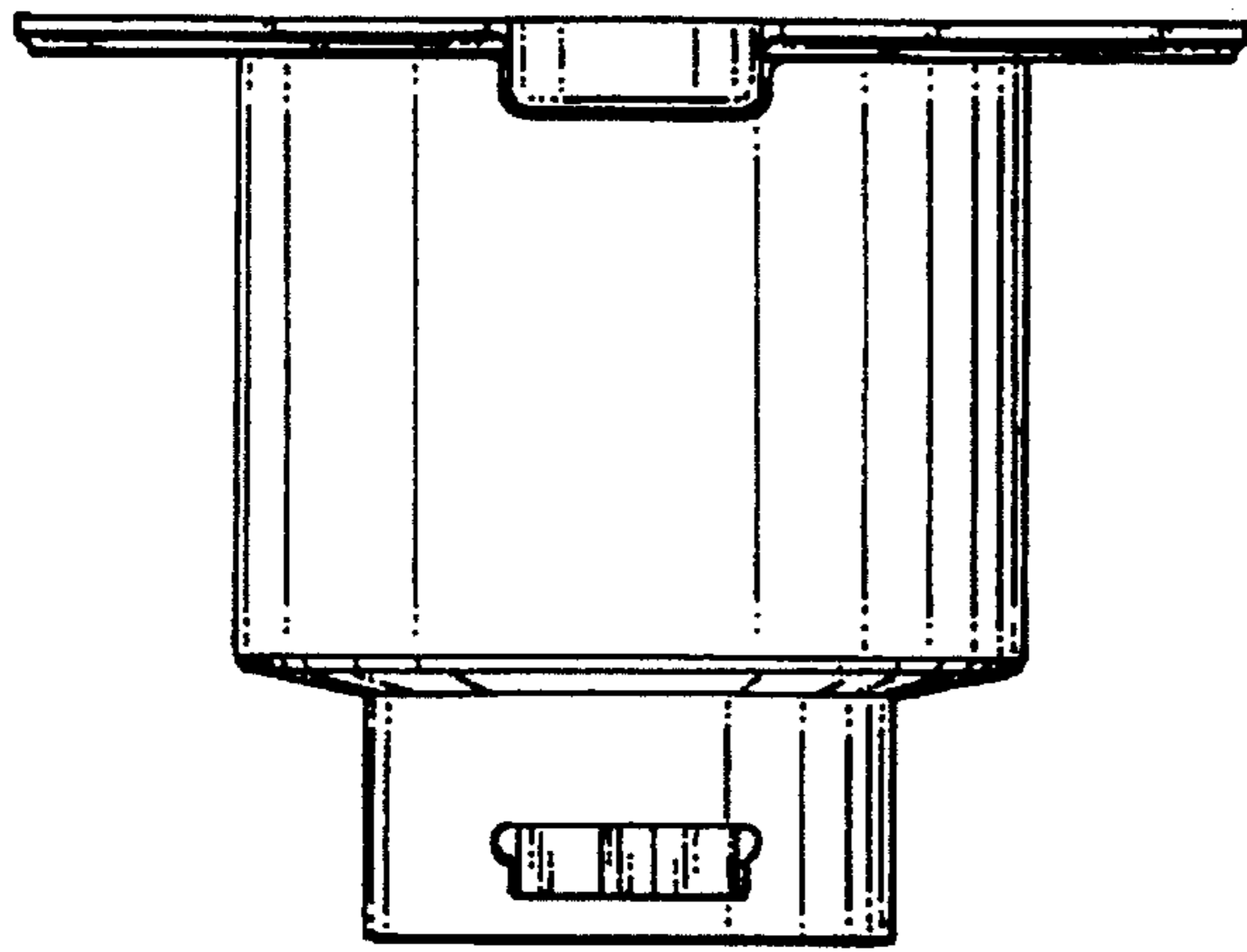


FIG. 5.

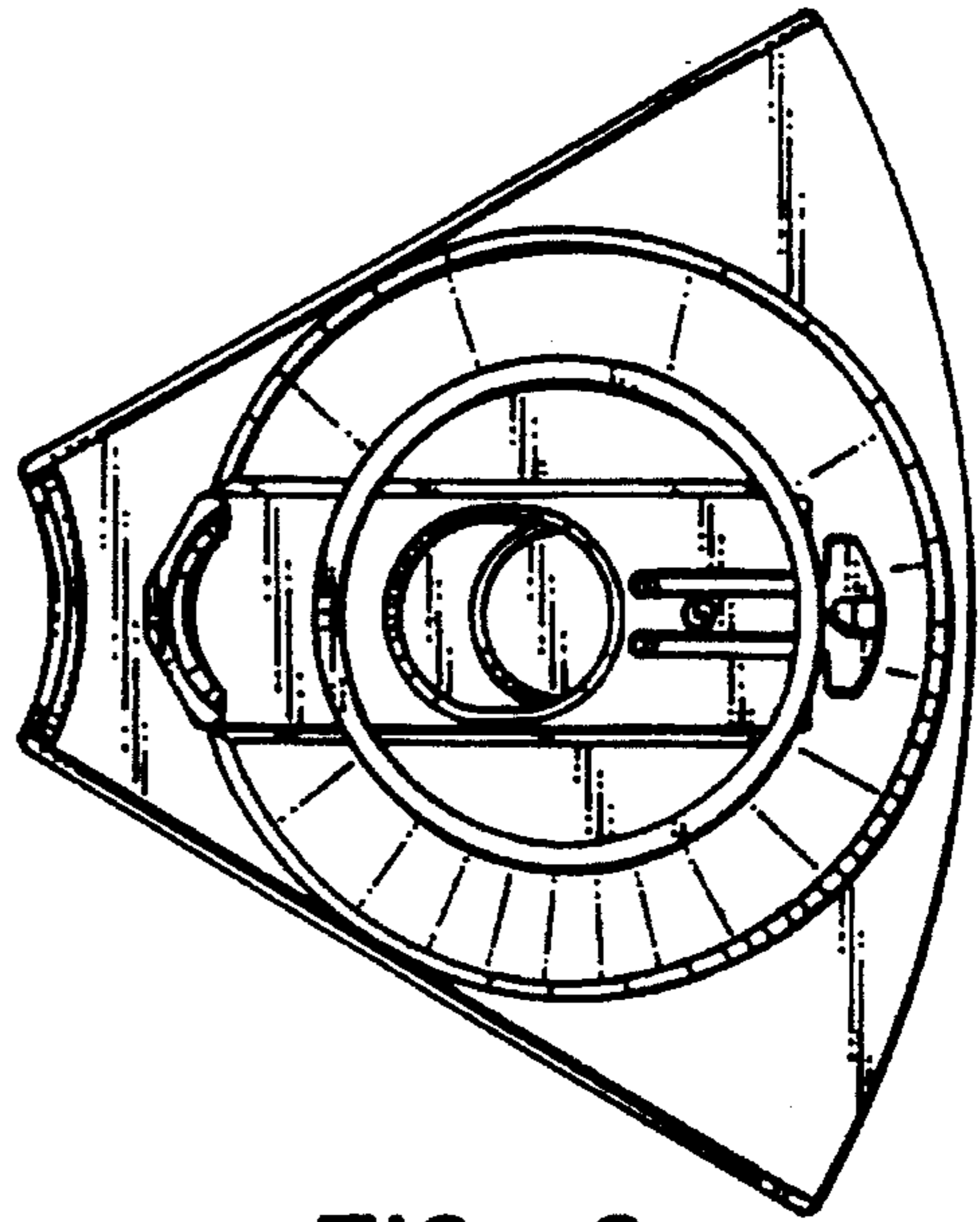


FIG. 6.

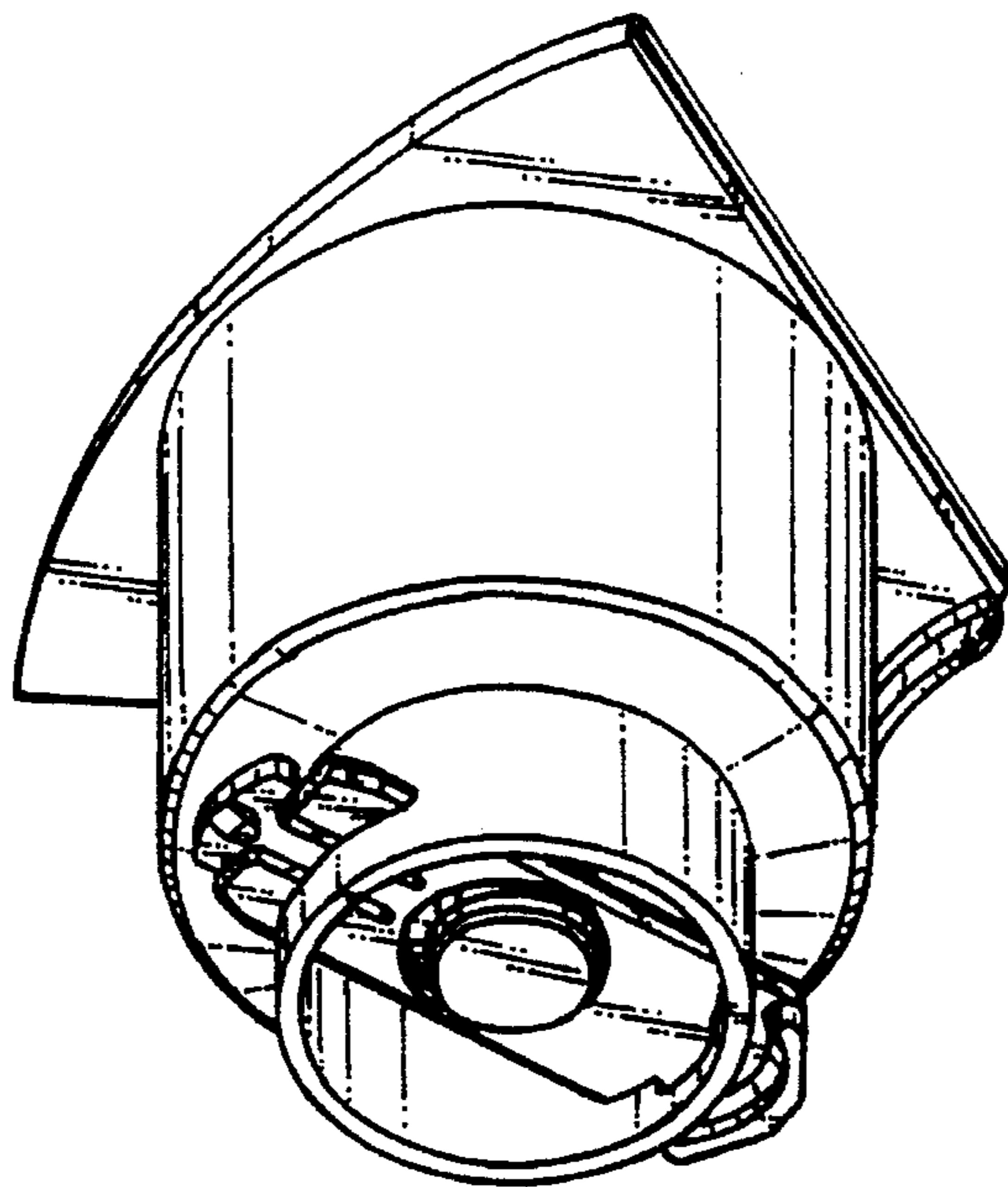


FIG. 7.