



US00D378649S

United States Patent [19]

[11] Patent Number: **Des. 378,649**

Myers et al.

[45] Date of Patent: ****Apr. 1, 1997**

[54] STAND MIXER HEAD

[75] Inventors: **Terry L. Myers**, Richmond, Va.;
Phillip L. Brookshire, Cincinnati, Ohio

[73] Assignee: **Hamilton Beach/Proctor-Silex, Inc.**,
Glen Allen, Va.

[**] Term: **14 Years**

[21] Appl. No.: **29,290**

[22] Filed: **Oct. 3, 1994**

[52] U.S. Cl. **D7/379; D7/376**

[58] Field of Search **D7/376-379, 384,**
D7/386, 412-415; 366/129, 130, 142, 197,
199, 204, 205, 279, 314

[56] References Cited

U.S. PATENT DOCUMENTS

D. 120,342	5/1940	Geiger et al.	D7/379
D. 125,031	2/1941	Schneider	D7/379
D. 158,835	6/1950	Bisley	D7/379
D. 158,881	6/1950	Morgan	D7/379
D. 158,885	6/1950	Morgan	D7/379
D. 168,037	10/1952	Karstadt	D7/379
D. 176,257	12/1955	Hill	D7/386
D. 177,440	4/1956	Talge et al.	D7/379
D. 180,379	5/1957	Spear	D7/386
D. 189,936	3/1961	Grange	D7/379
D. 232,694	9/1974	Iganami et al.	D7/376
D. 254,949	5/1980	Besford	D7/379
D. 265,166	6/1982	Ernest et al.	D7/386
D. 279,858	7/1985	Janssens	D7/412
D. 286,258	10/1986	Grange	D7/379
D. 291,271	8/1987	Wilson	D7/379
D. 309,081	7/1990	Thomas	D7/379
D. 314,883	2/1991	Naft	D7/379
D. 319,555	9/1991	Thomas	D7/379
2,208,955	7/1940	Wolff	416/204 R
2,438,465	3/1948	Strauss et al.	74/16
2,584,887	2/1952	Laurence	366/197
3,066,350	12/1962	Quiring	D7/379 X
4,822,172	4/1989	Stottmann	366/142

OTHER PUBLICATIONS

“Best General Merchandise Catalog 1990/91”, Front and Rear Cover and p. 207, Published by Best Products Co., Inc. Four Page Brochure Published by Hamilton Beach/Proctor-Silex, Inc. on Jan. 16, 1994. See Accompanying Information Disclosure Statement For Discussion Regarding Private Showing of a Product Embodying the Design more than One Year before Oct. 3, 1994.

Primary Examiner—James M. Gandy
Assistant Examiner—Caron D. Veynar
Attorney, Agent, or Firm—Roger S. Dybvig

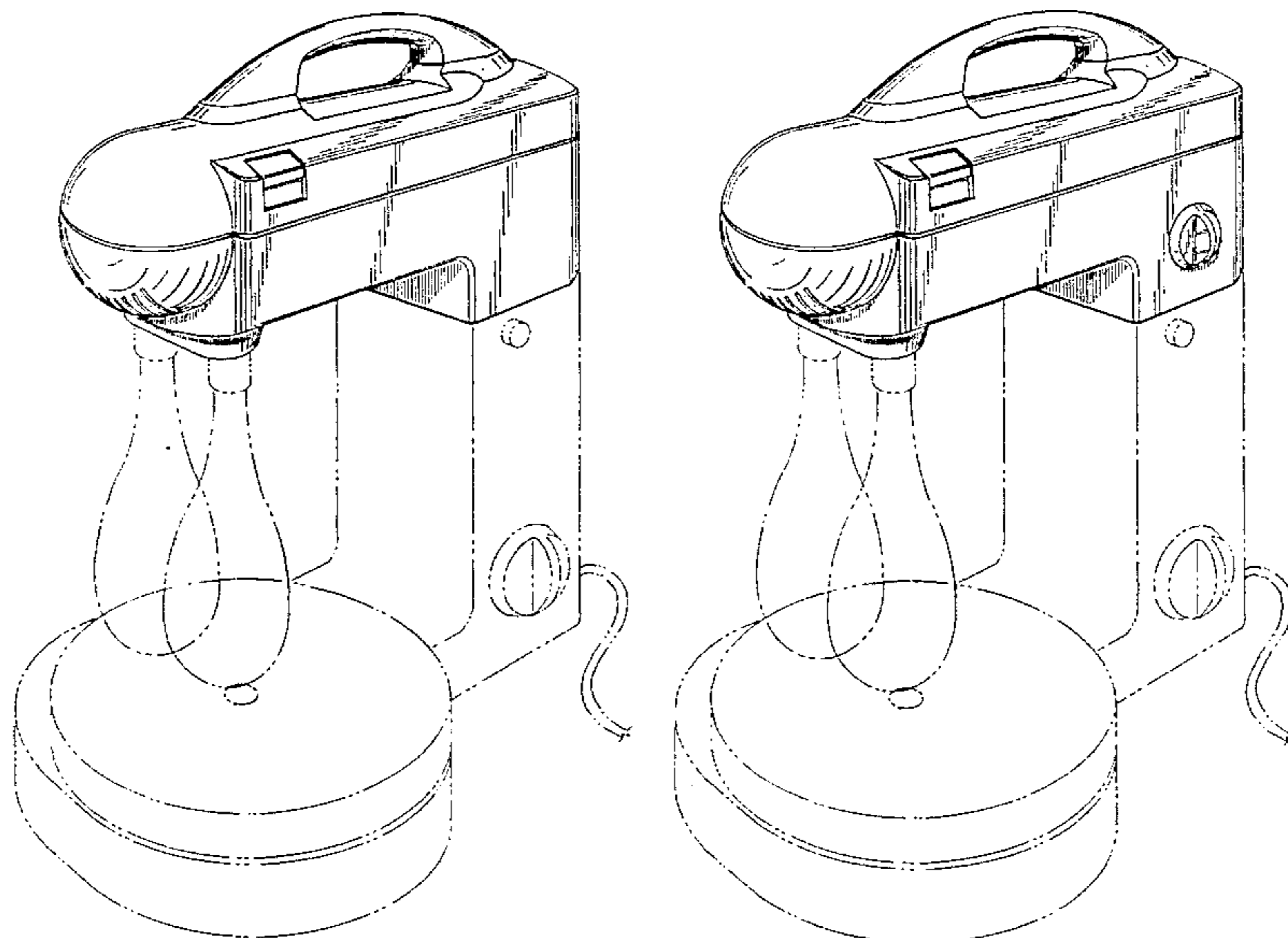
[57] CLAIM

The ornamental design for a stand mixer head, as shown and described.

DESCRIPTION

FIG. 1 is a perspective view as seen from the top, front and left side of a stand mixer head showing our new design; FIG. 2 is a top plan view thereof; FIG. 3 is a left side elevational view thereof; FIG. 4 is a right side elevational view thereof; FIG. 5 is a bottom plan view thereof; FIG. 6 is a front elevational view thereof; FIG. 7 is a rear elevational view thereof; FIG. 8 is a perspective view as seen from the top, front, and left side of a second embodiment of a stand mixer head showing our new design; FIG. 9 is a top plan view thereof; FIG. 10 is a left side elevational view thereof; FIG. 11 is a right side elevational view thereof; FIG. 12 is a bottom plan view thereof; FIG. 13 is a front elevational view thereof; and, Fig. 14 is a rear elevational view thereof. The broken line showing of a mixer stand, bowl platform, power cord and beaters in FIGS. 1-4, 6-11, 13 and 14 are for illustrative purposes only and form no part of the claimed design.

1 Claim, 8 Drawing Sheets



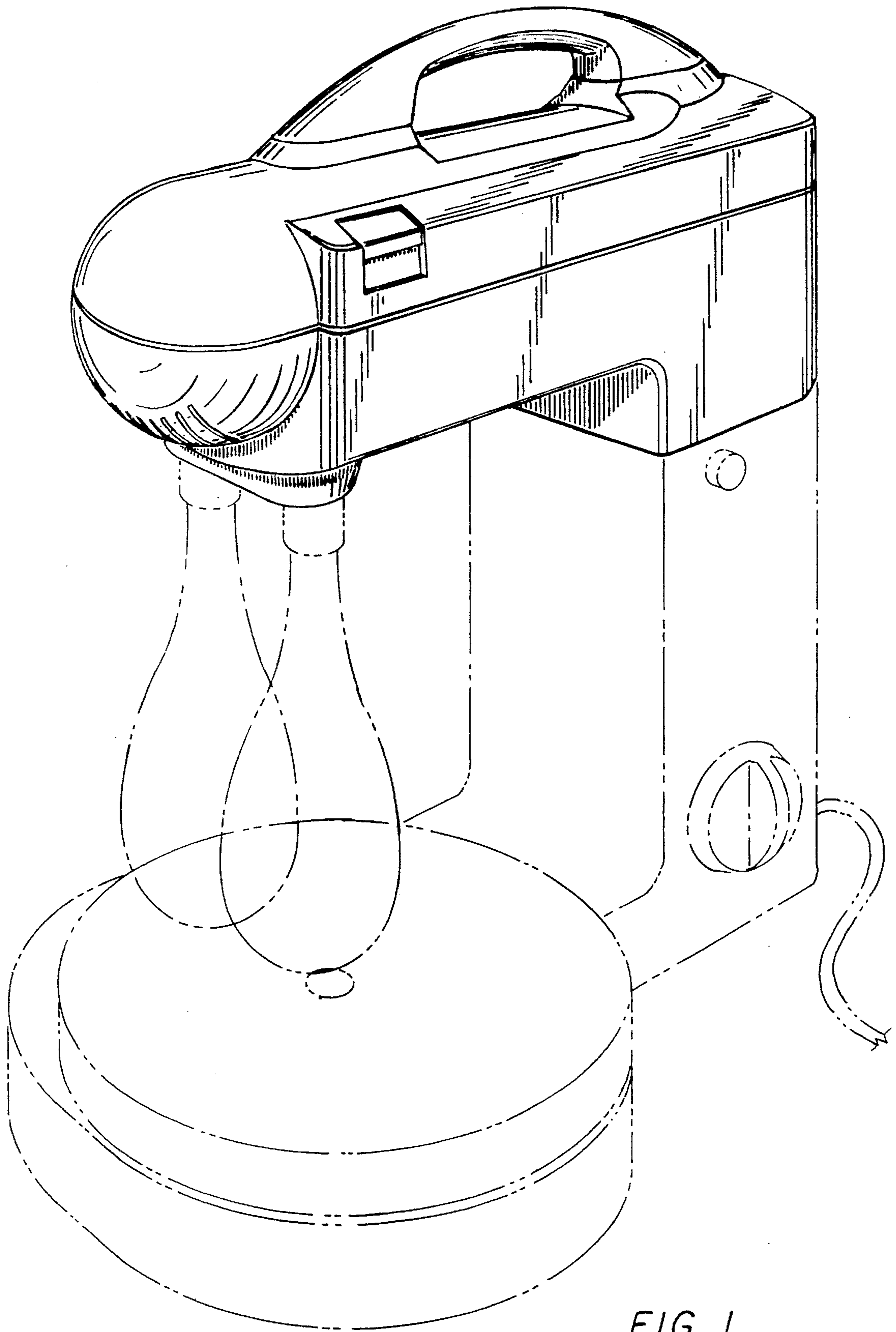


FIG. 1

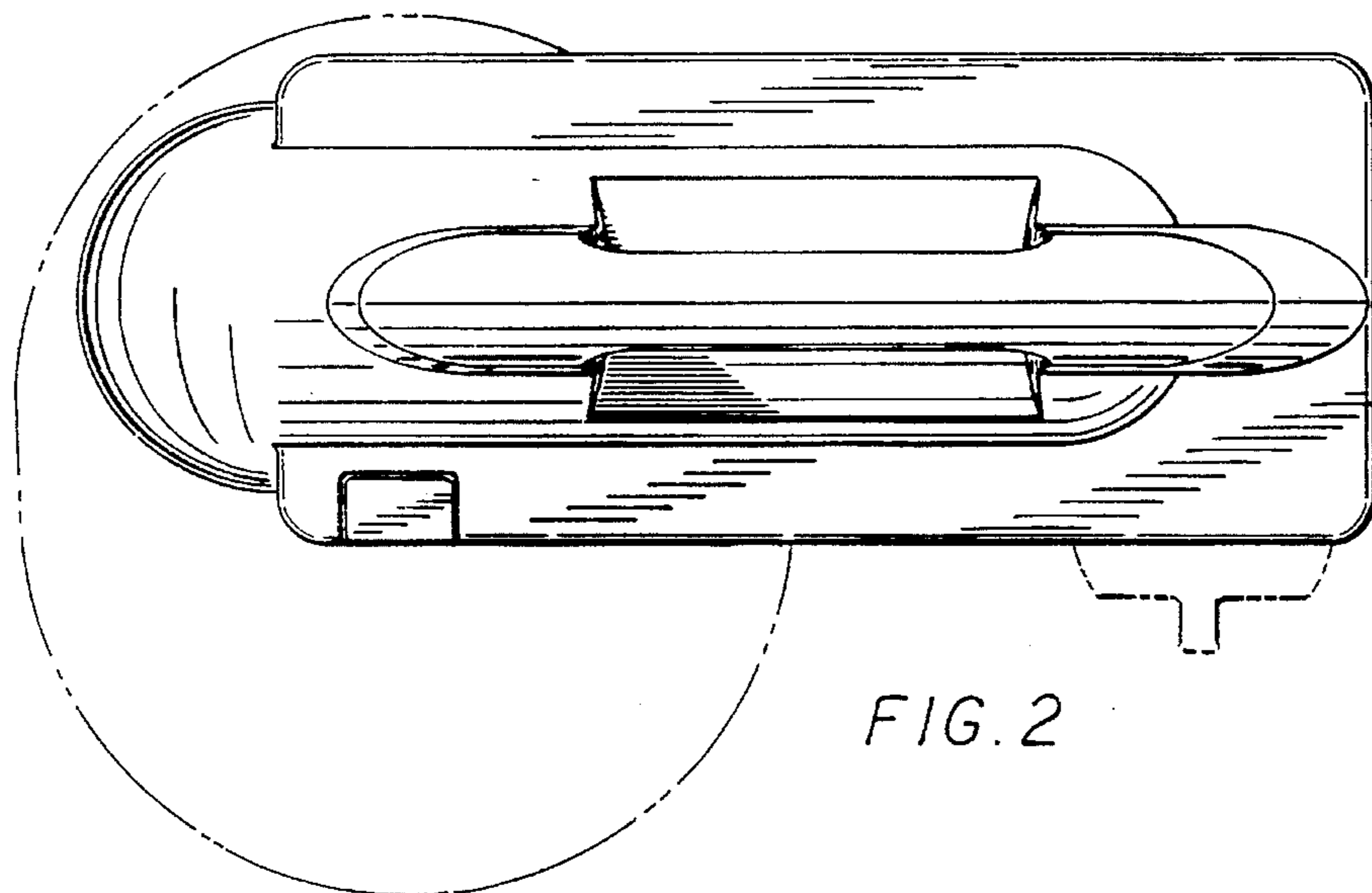


FIG. 2

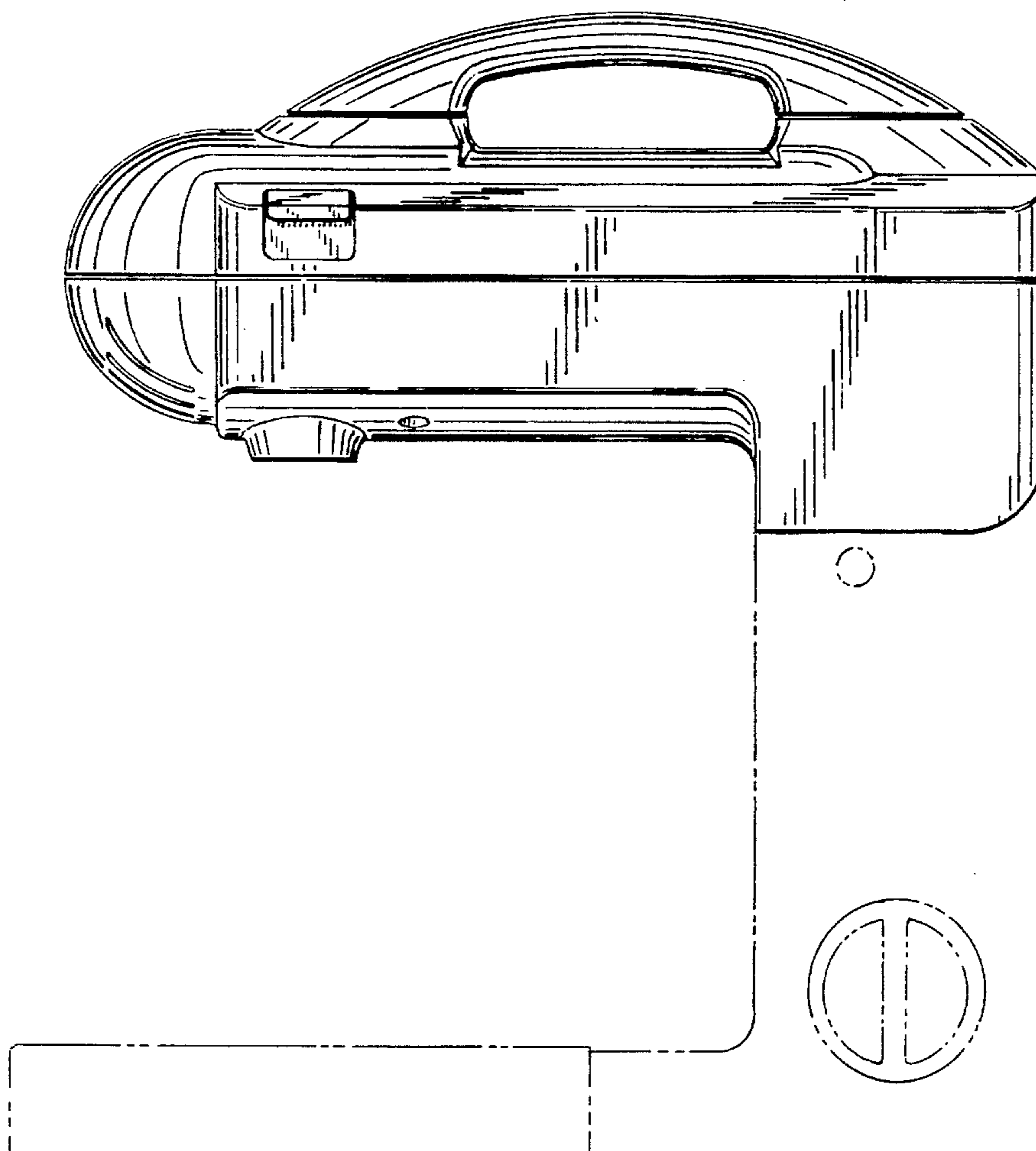


FIG. 3

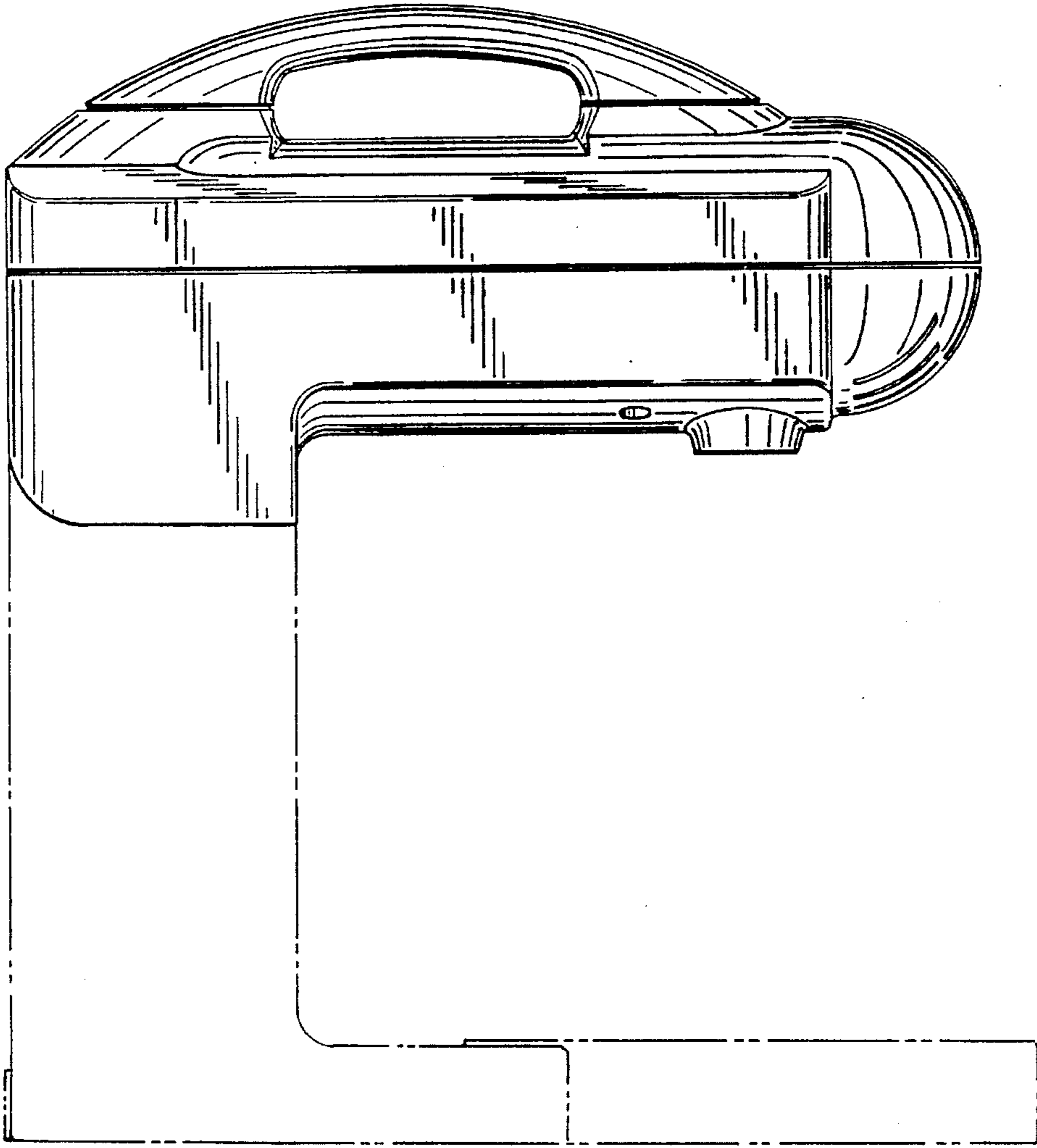


FIG. 4

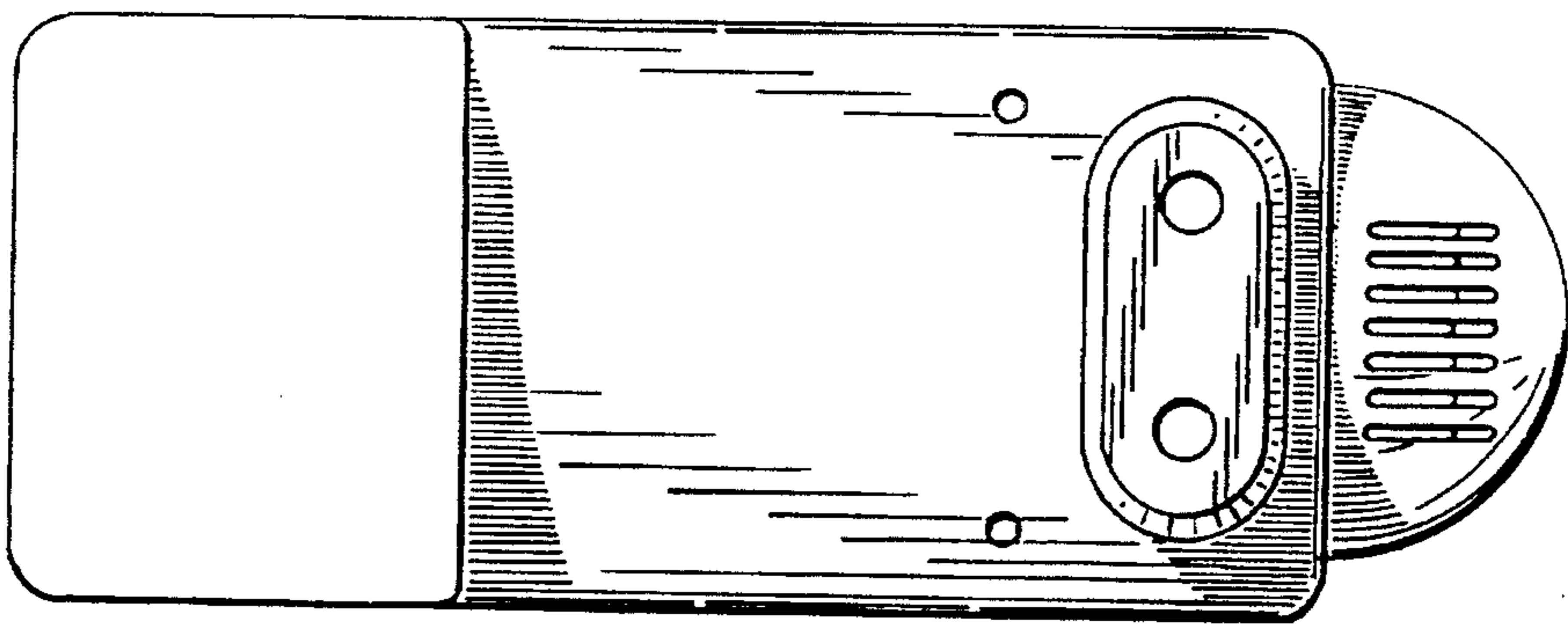


FIG. 5

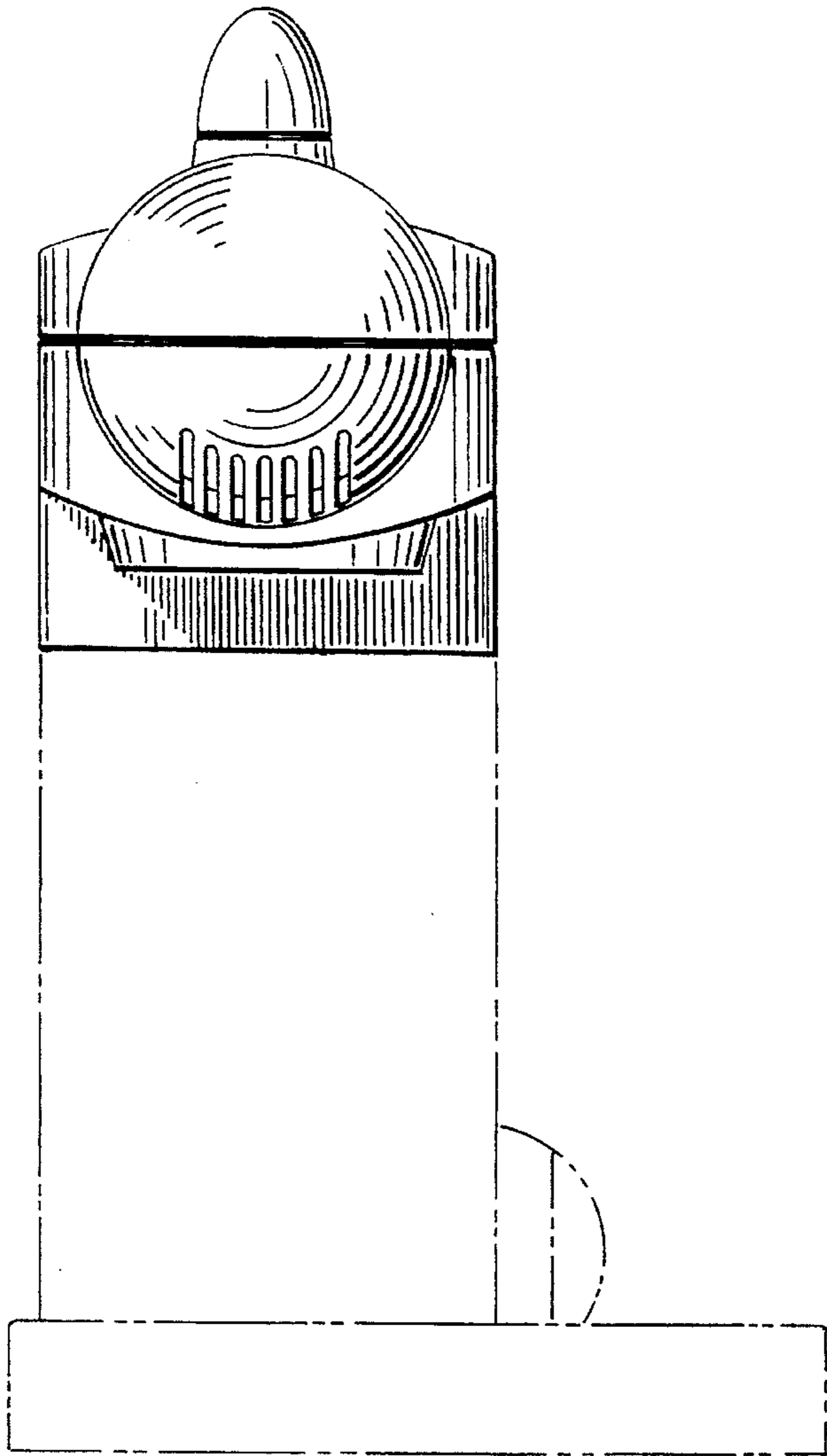


FIG. 6

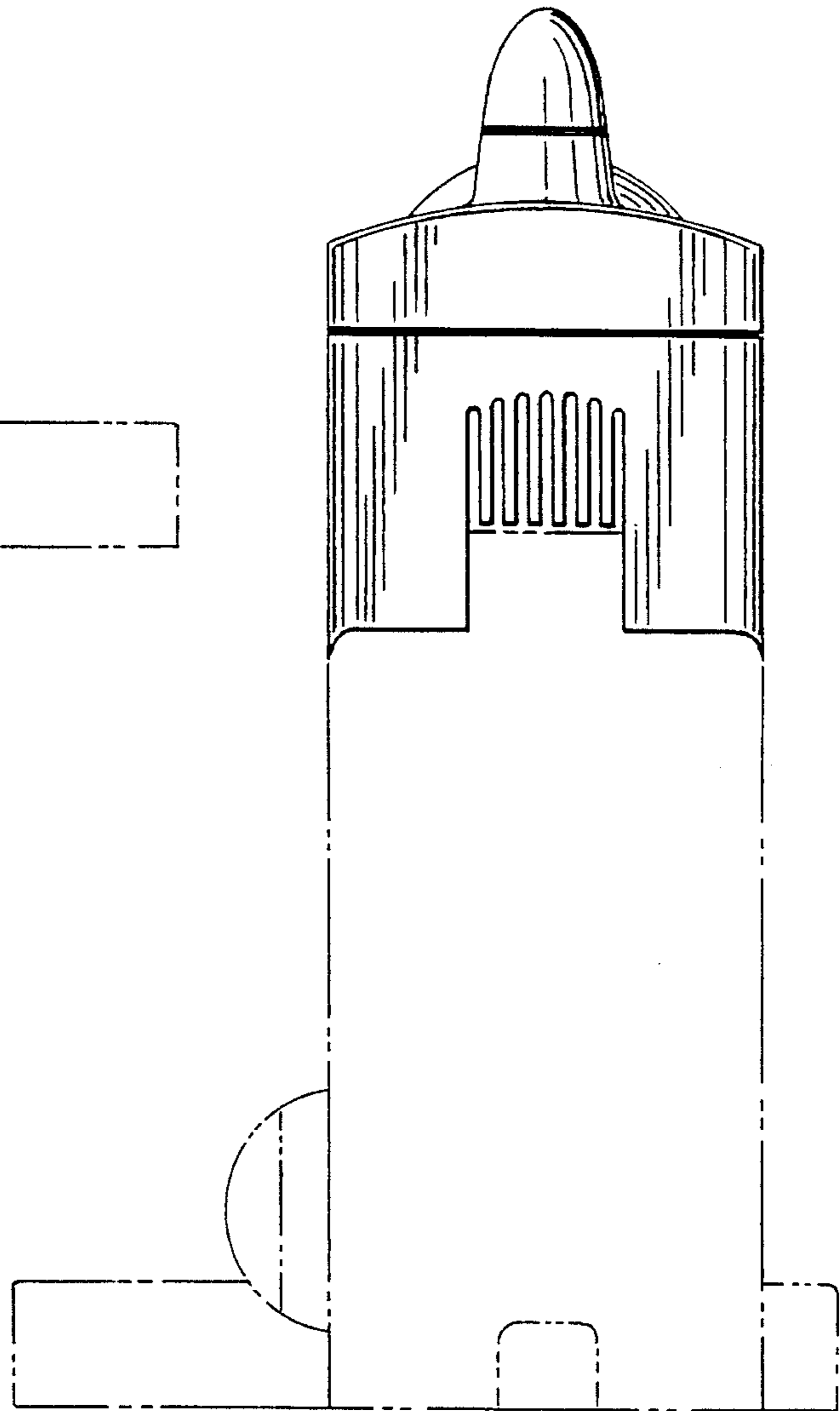


FIG. 7

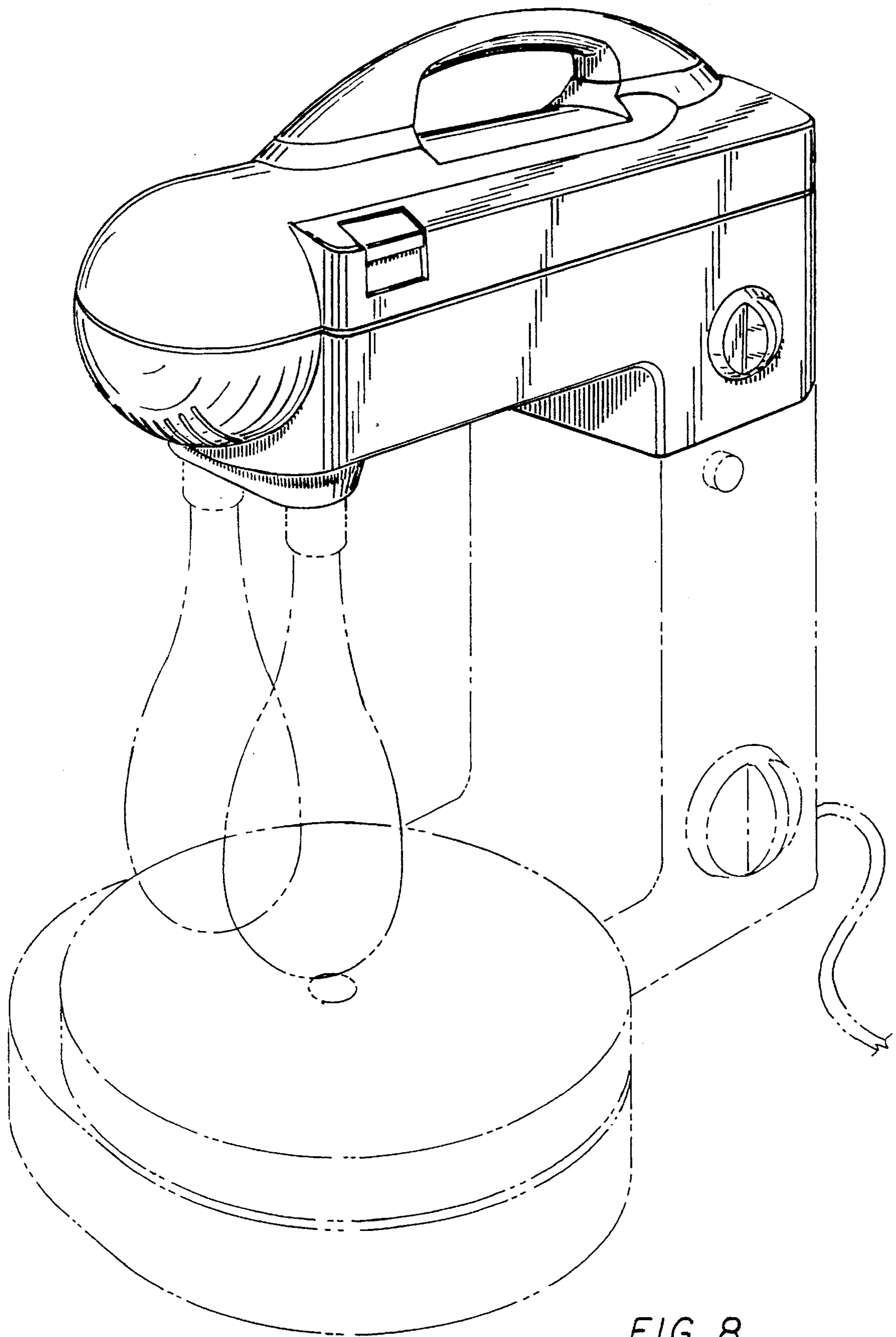


FIG. 8

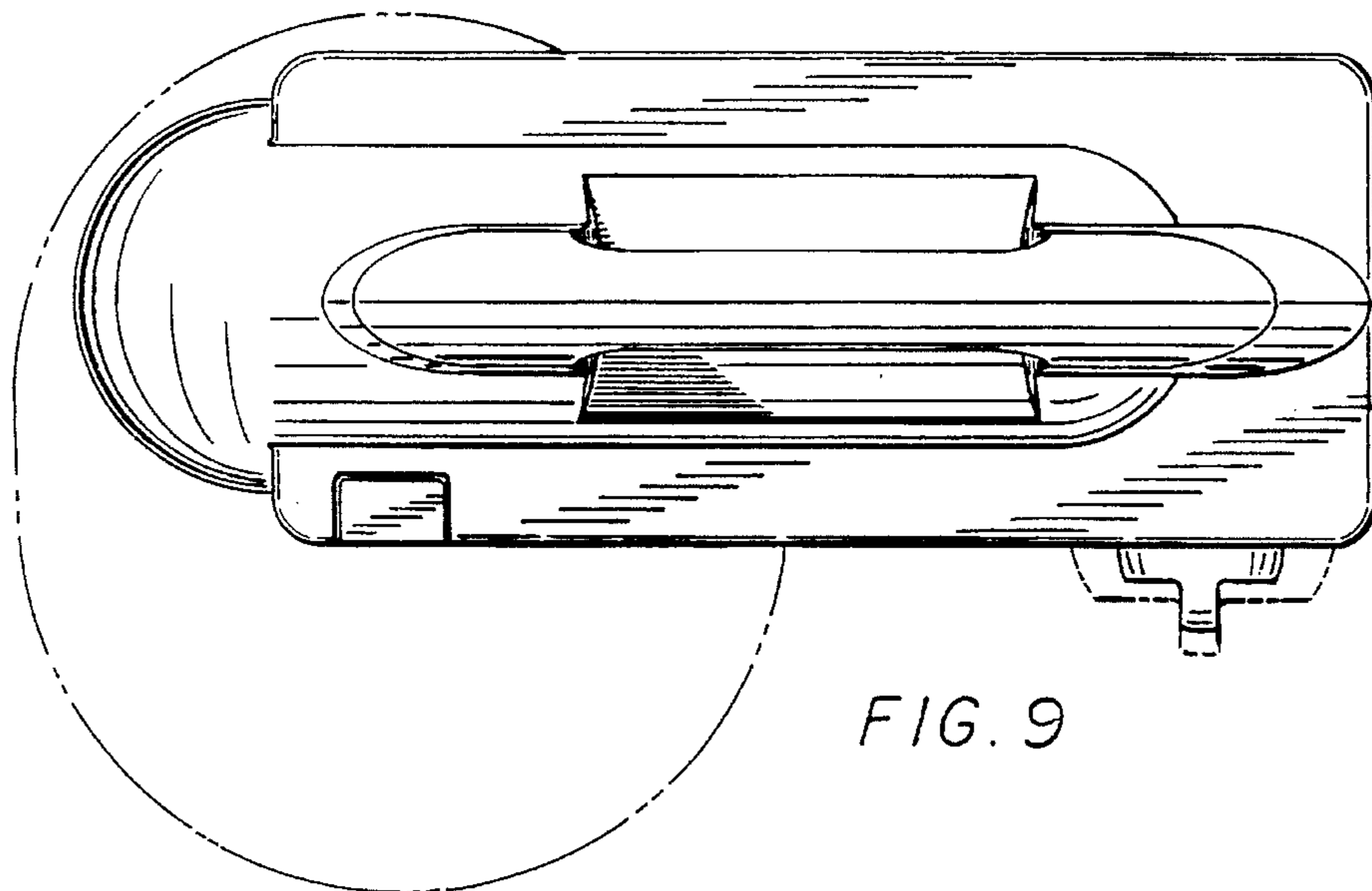


FIG. 9

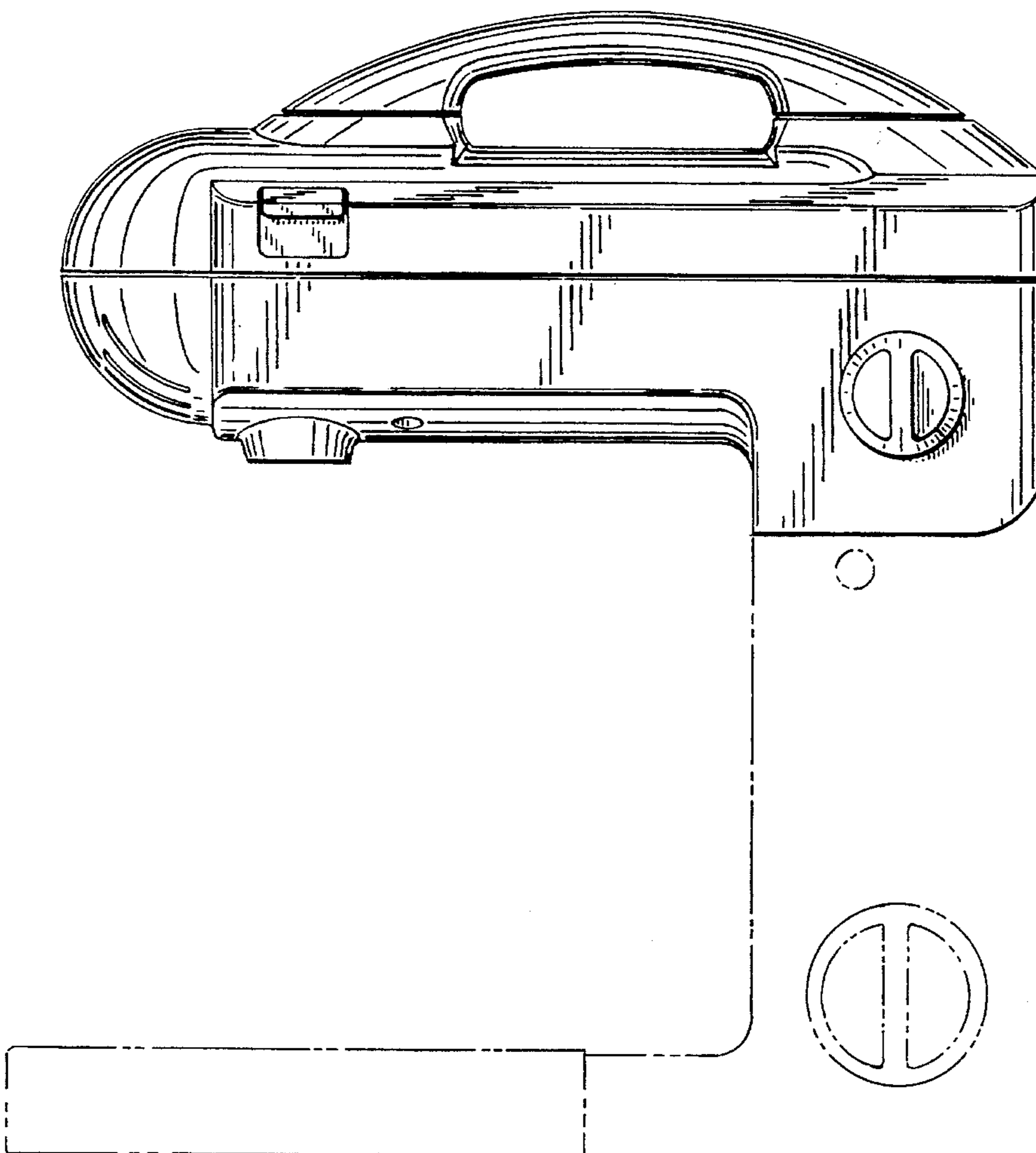


FIG. 10

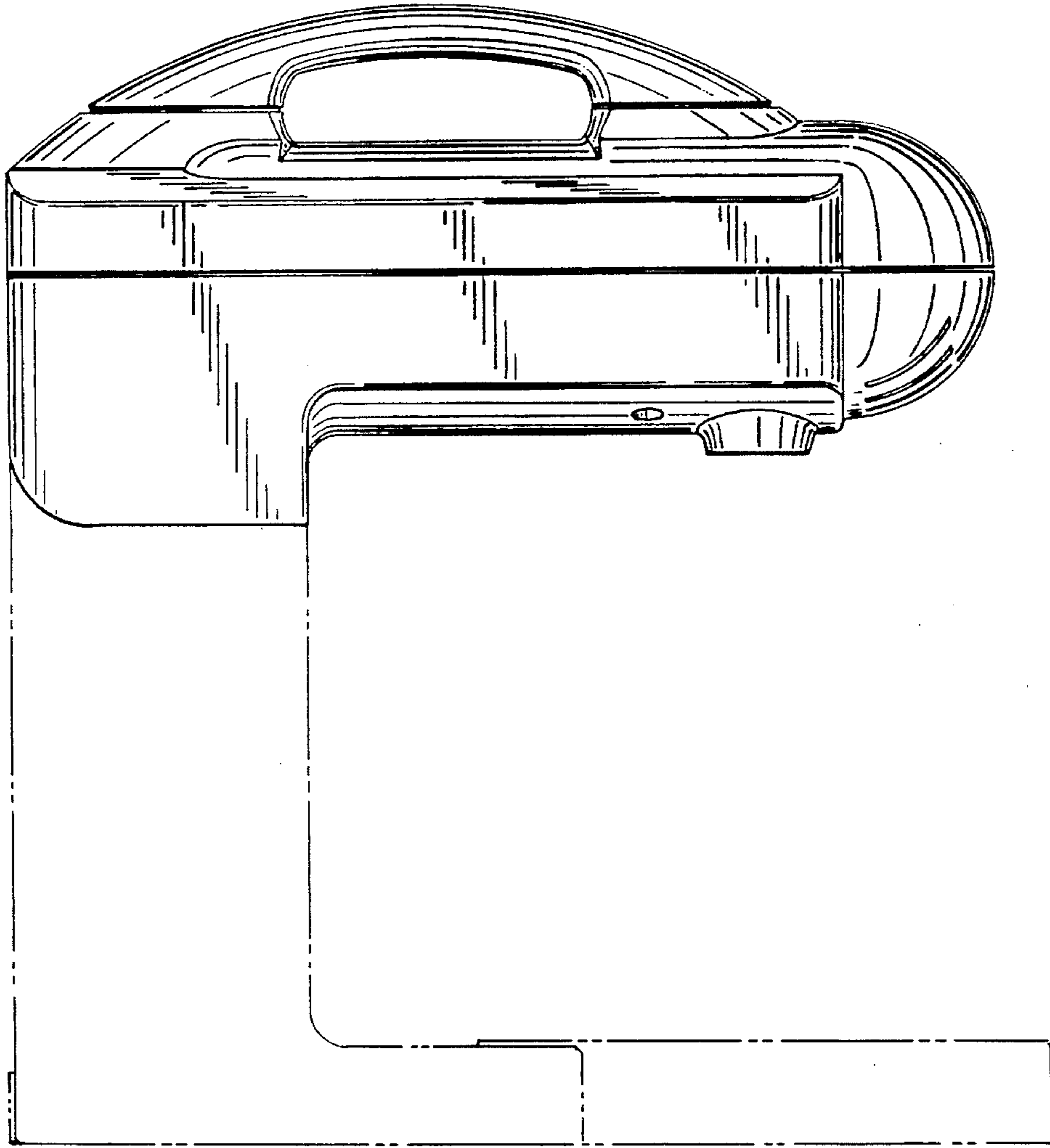


FIG. 11

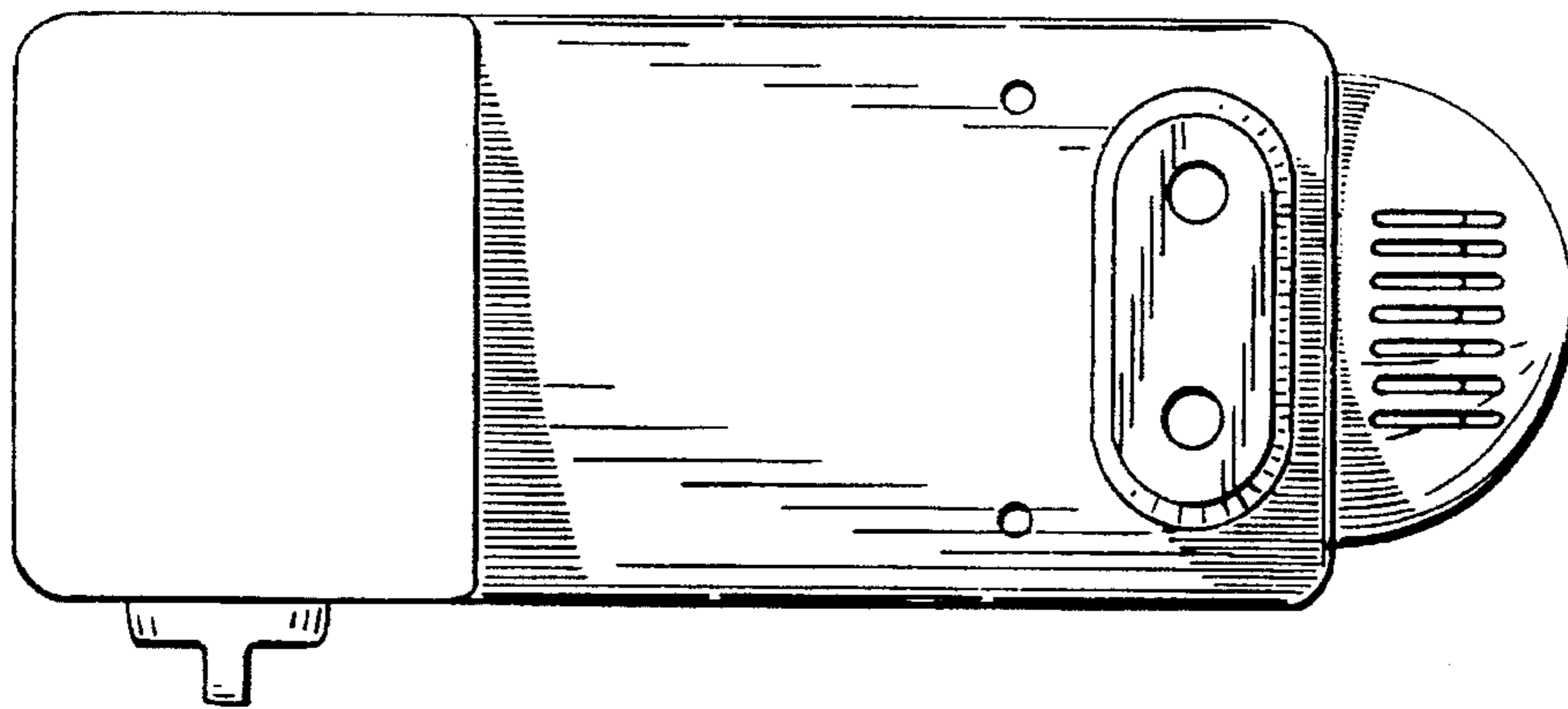


FIG. 12

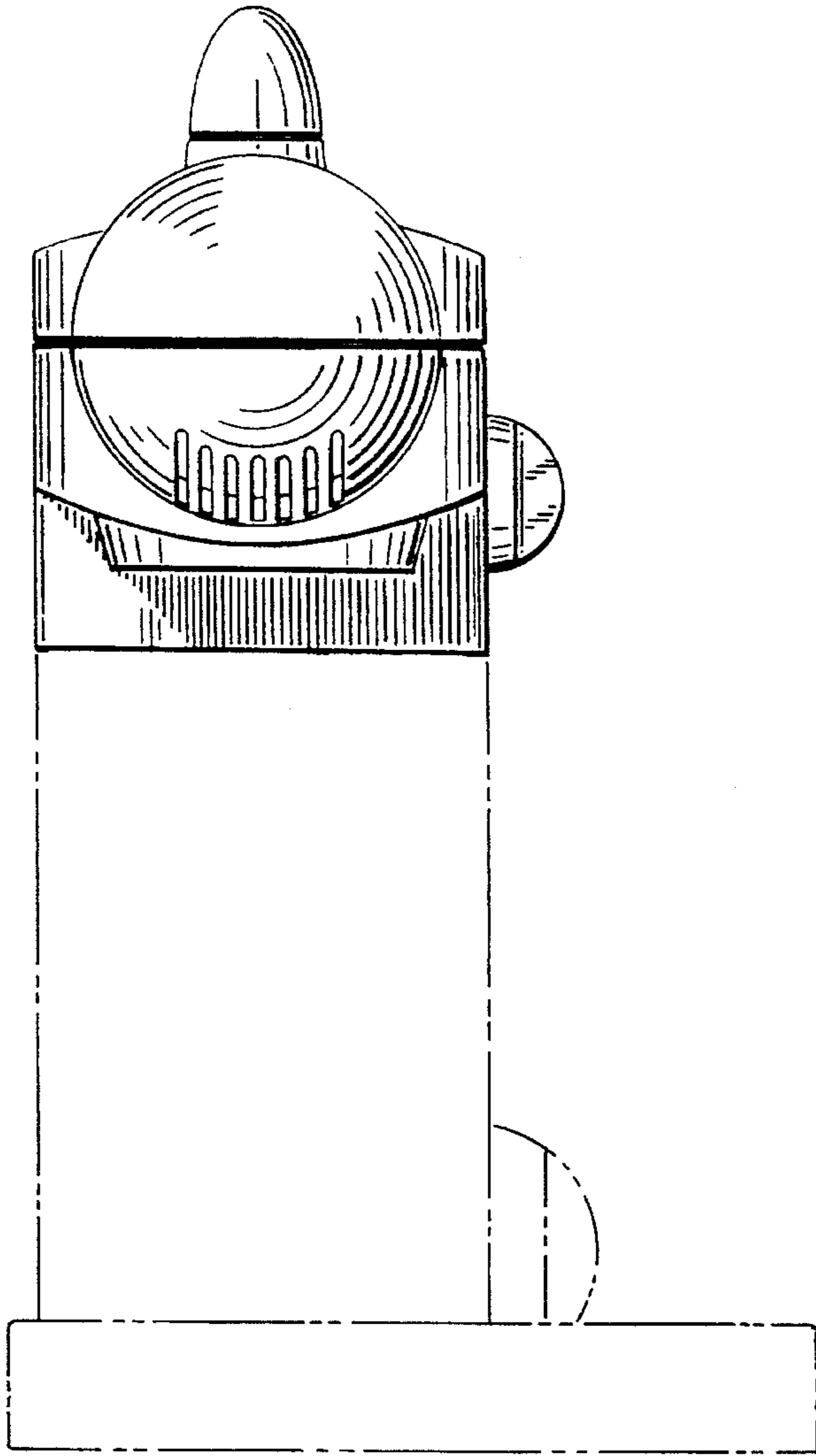


FIG. 13

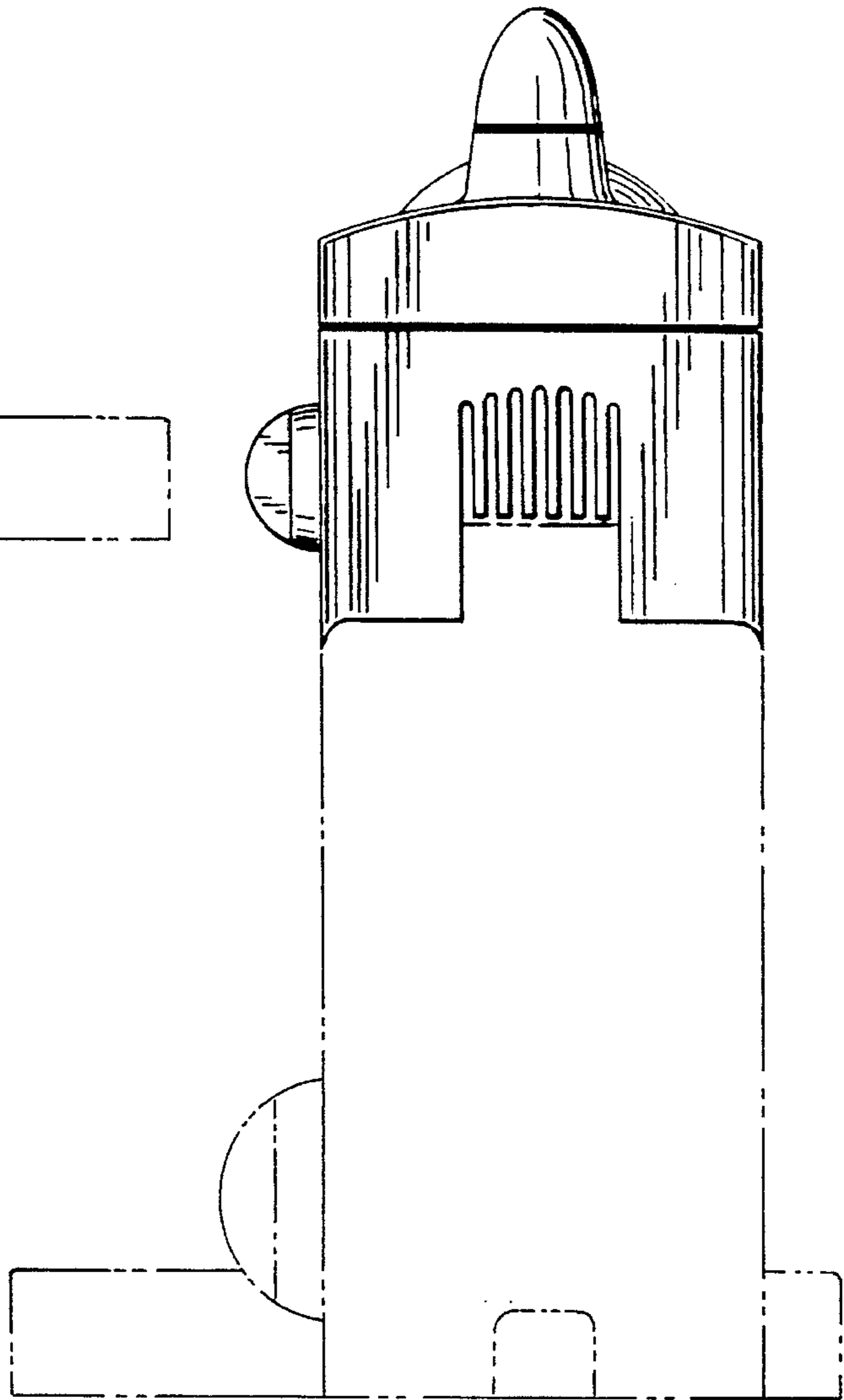


FIG. 14