



US00D378648S

**United States Patent** [19]

[11] **Patent Number: Des. 378,648**

**Perry**

[45] **Date of Patent: \*\*Apr. 1, 1997**

[54] **PORTABLE COOKING GRIDDLE**

3,794,013	2/1974	Upton .....	126/40
4,322,049	3/1982	Holland et al. ....	126/25 R X
4,635,614	1/1987	Segroves .....	126/25 R X

[76] Inventor: **Brian Perry**, 13502-H Whittier Blvd.  
#360, Whittier, Calif. 90605

*Primary Examiner*—Louis S. Zarfes  
*Assistant Examiner*—Frank Martinez  
*Attorney, Agent, or Firm*—Charles H. Thomas

[\*\*] Term: **14 Years**

[21] Appl. No.: **46,319**

[57] **CLAIM**

[22] Filed: **Nov. 13, 1995**

The ornamental design for portable cooking griddle, as shown and described.

**Related U.S. Application Data**

**DESCRIPTION**

[63] Continuation-in-part of Ser. No. 40,580, Jun. 22, 1995, Pat. No. Des. 373,702.

[52] **U.S. Cl.** ..... **D7/363**

[58] **Field of Search** ..... D7/363, 402, 403,  
D7/404, 335; 99/422, 431, 444, 446; 126/407,  
25 R, 39 H, 39 S

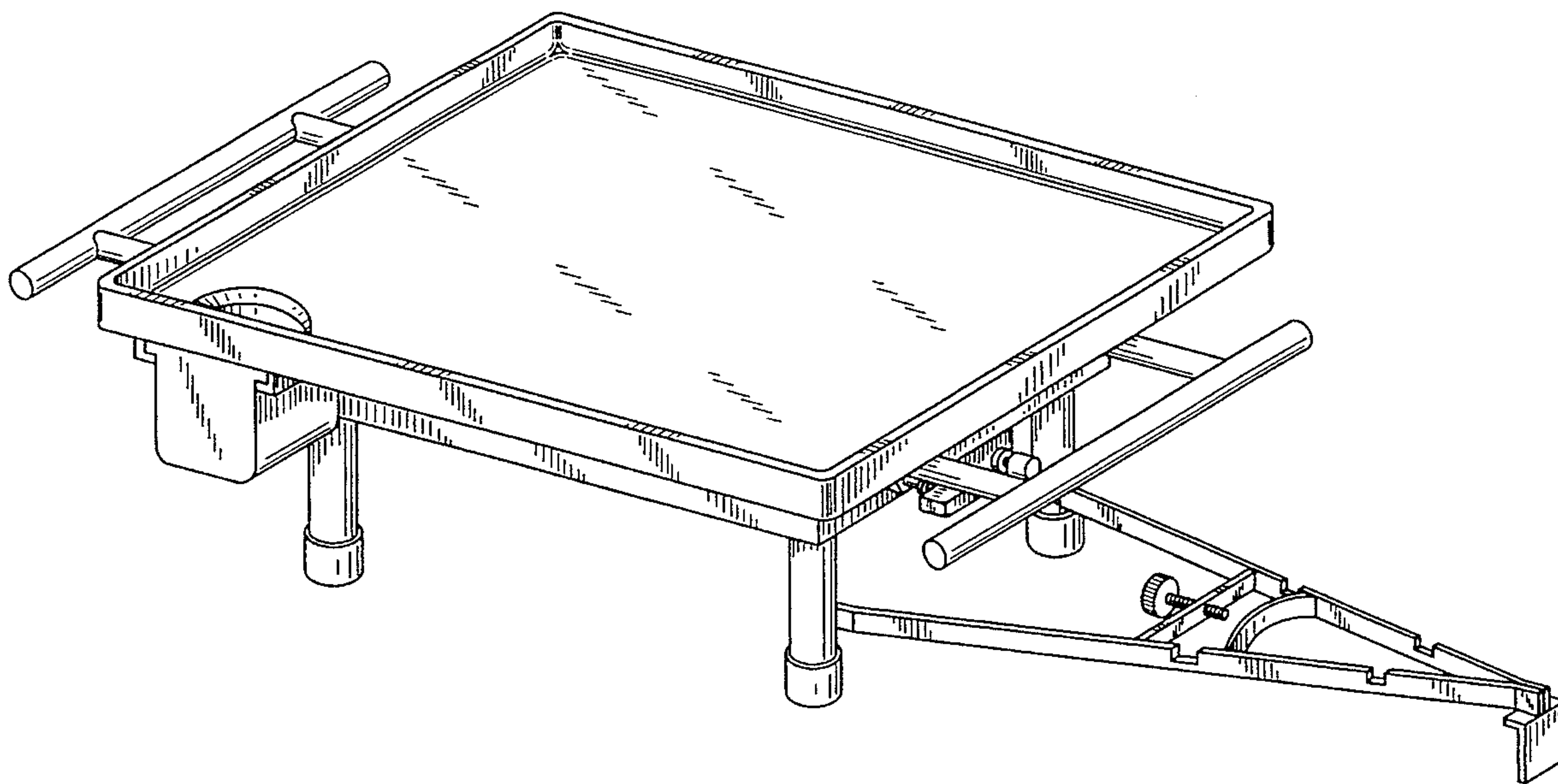
FIG. 1 is a perspective view showing my new ornamental design with the lid removed;  
FIG. 2 is a top plan view thereof;  
FIG. 3 is a front elevational view thereof;  
FIG. 4 is a rear elevational view thereof;  
FIG. 5 is a bottom plan view thereof;  
FIG. 6 is a right side elevational view thereof;  
FIG. 7 is a left side elevational view thereof; and,  
FIG. 8 is a perspective view showing my new ornamental design with the lid on.

[56] **References Cited**

**U.S. PATENT DOCUMENTS**

D. 298,406	11/1988	Stephen et al. ....	D7/402
453,418	6/1891	Stroud .....	99/445
3,277,881	10/1966	Bruns .....	126/40

**1 Claim, 7 Drawing Sheets**



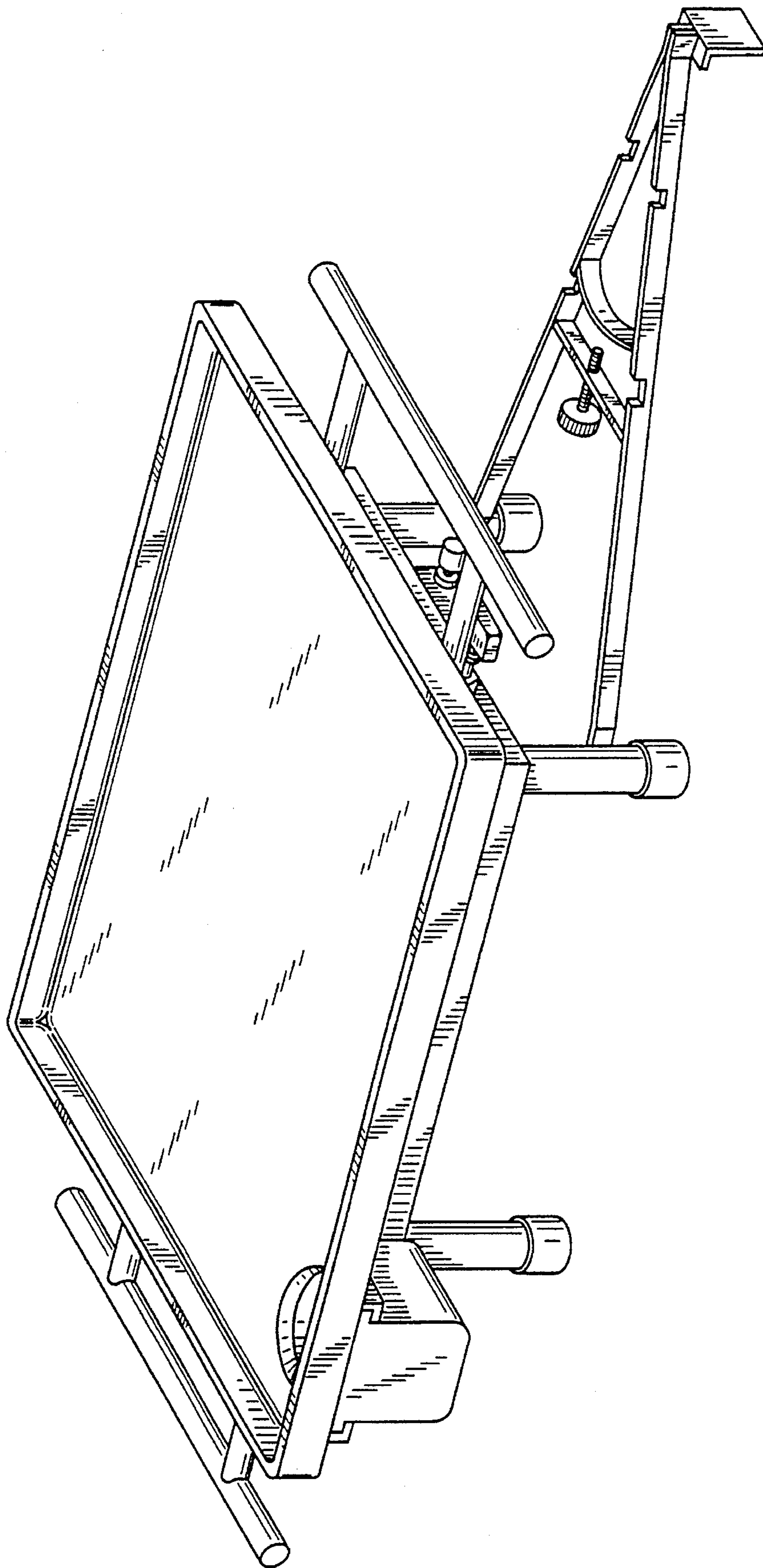


FIG. 1

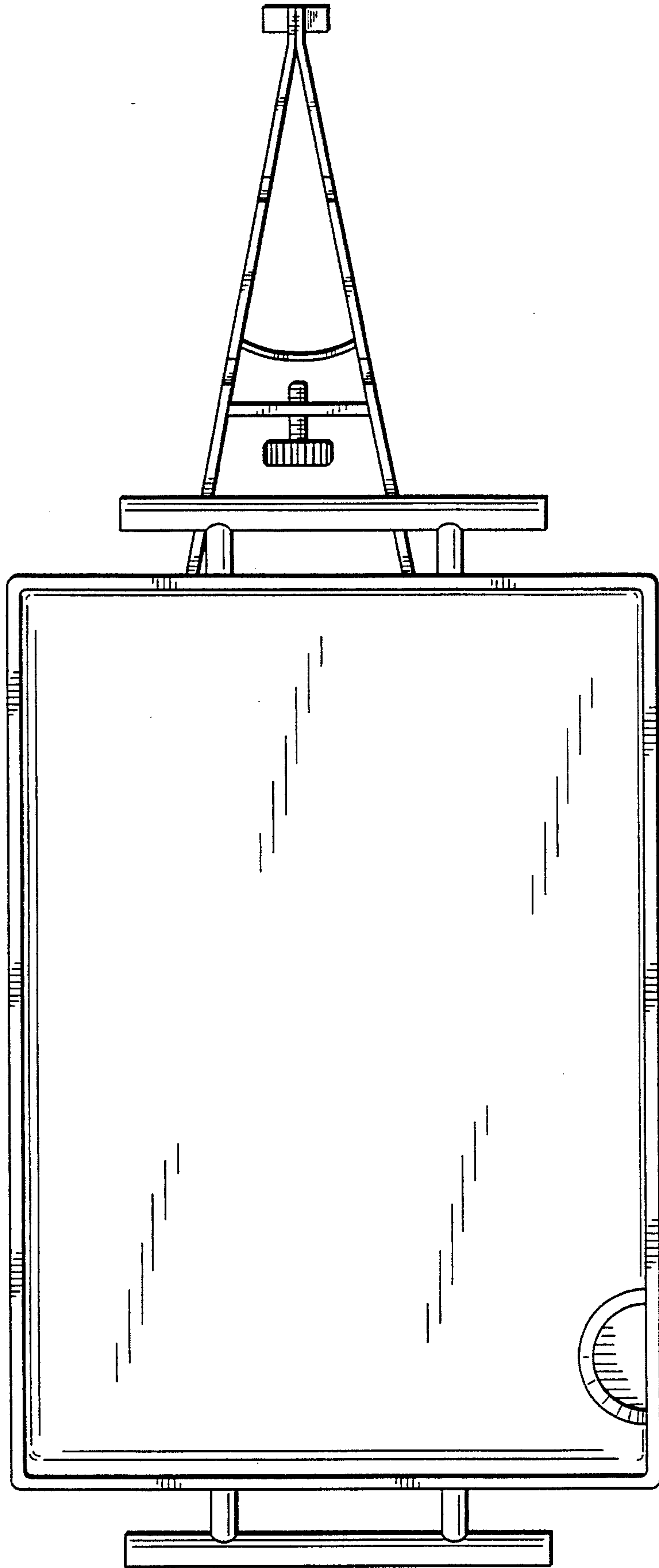
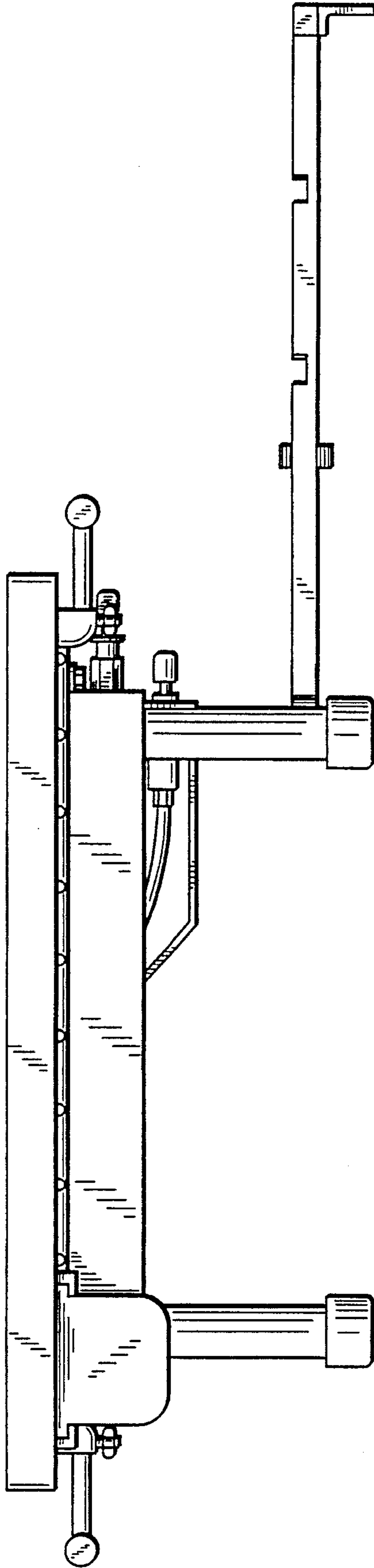


FIG. 2

FIG. 3



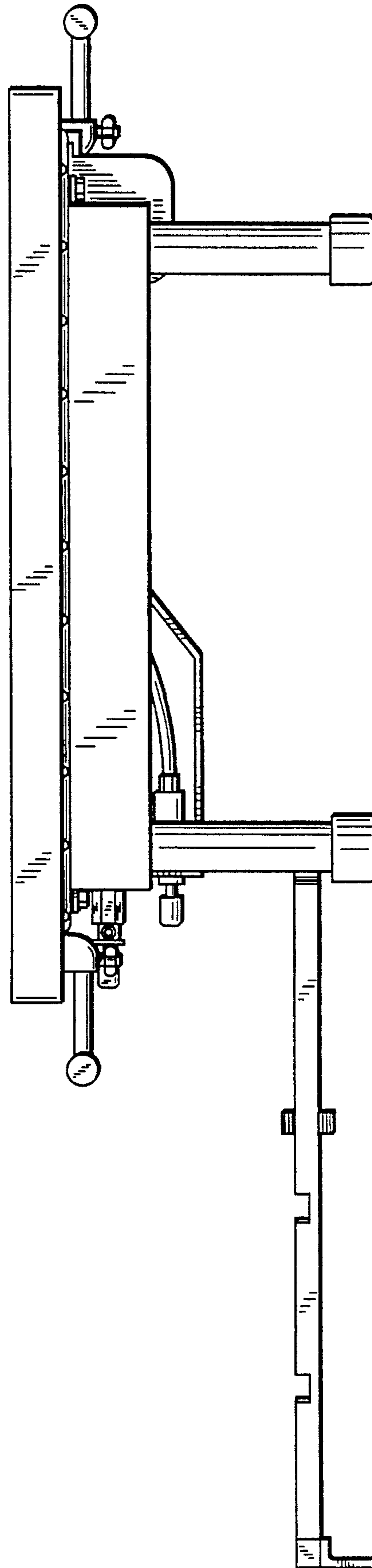


FIG. 4



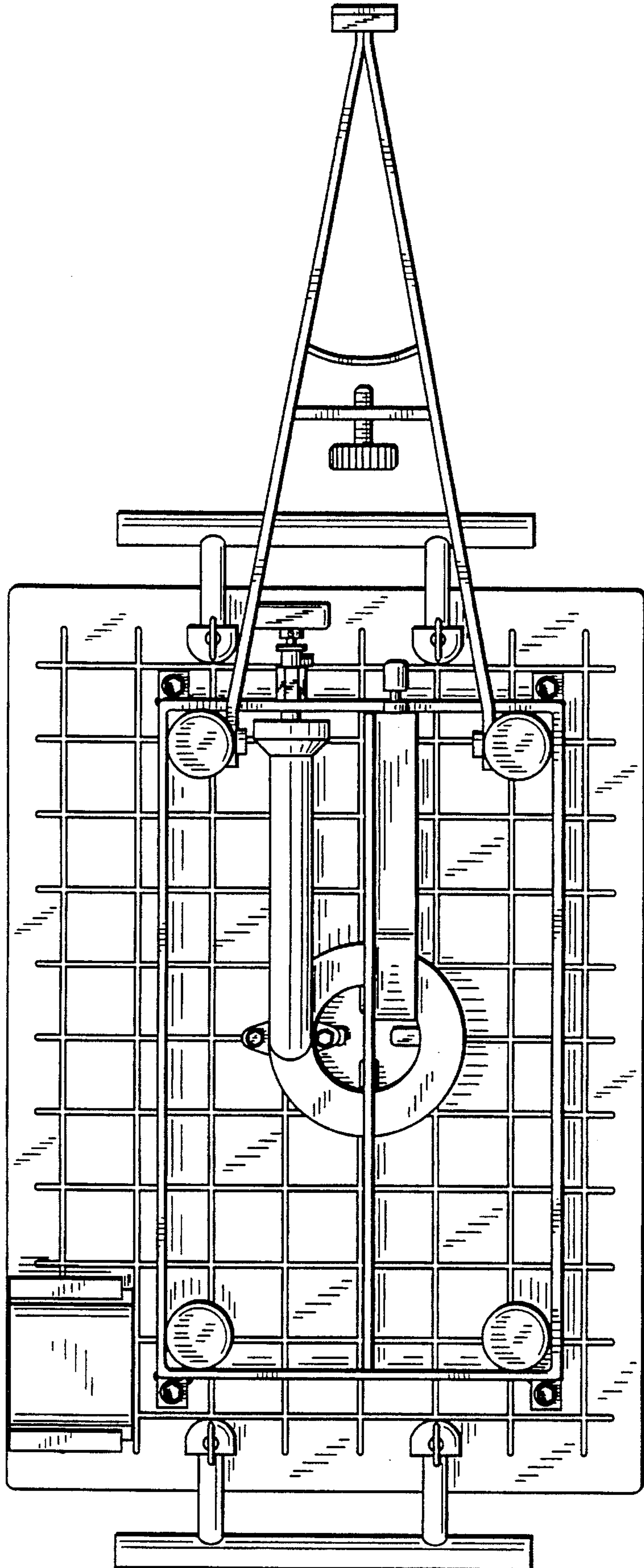


FIG. 5

FIG.6

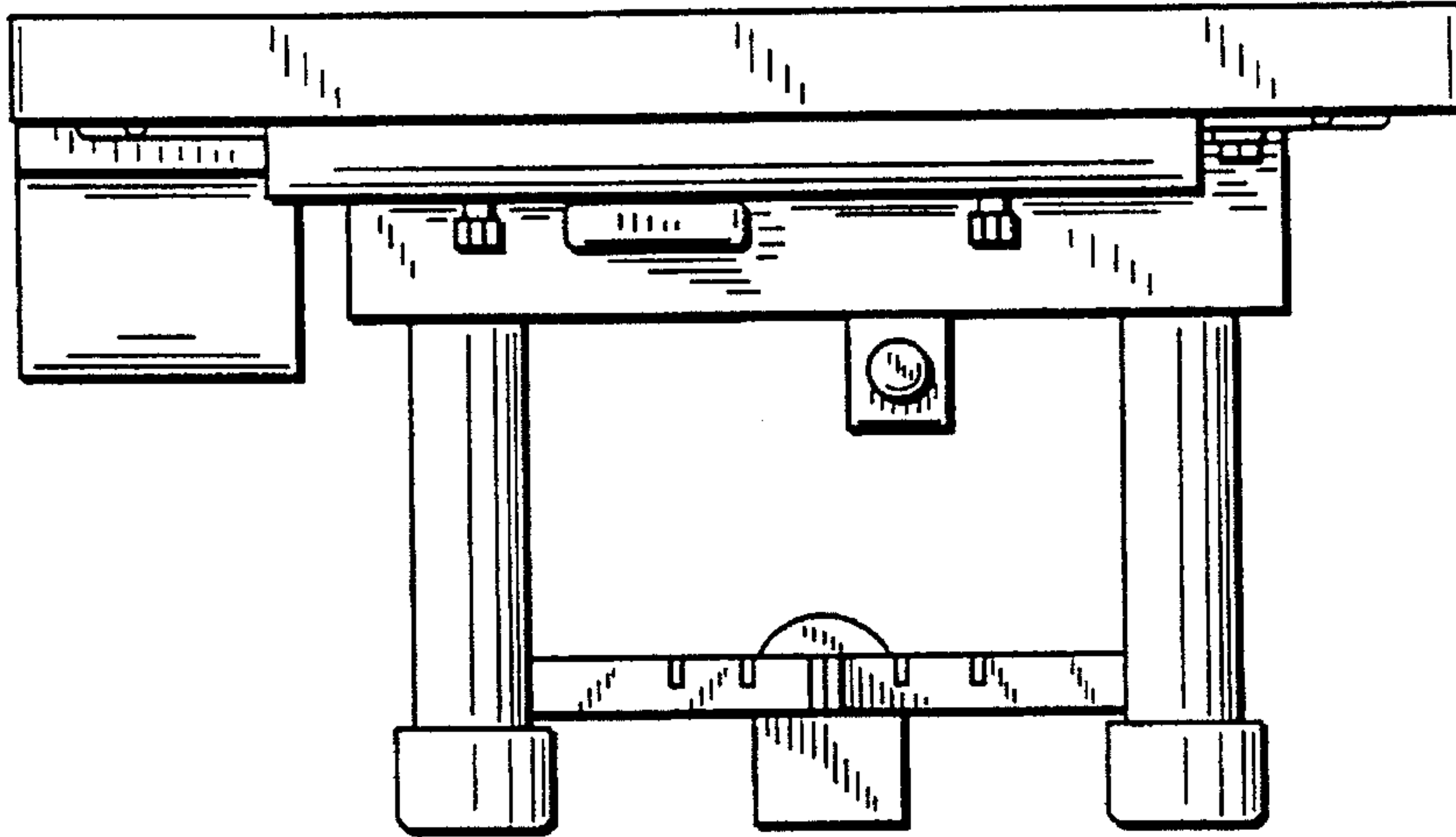
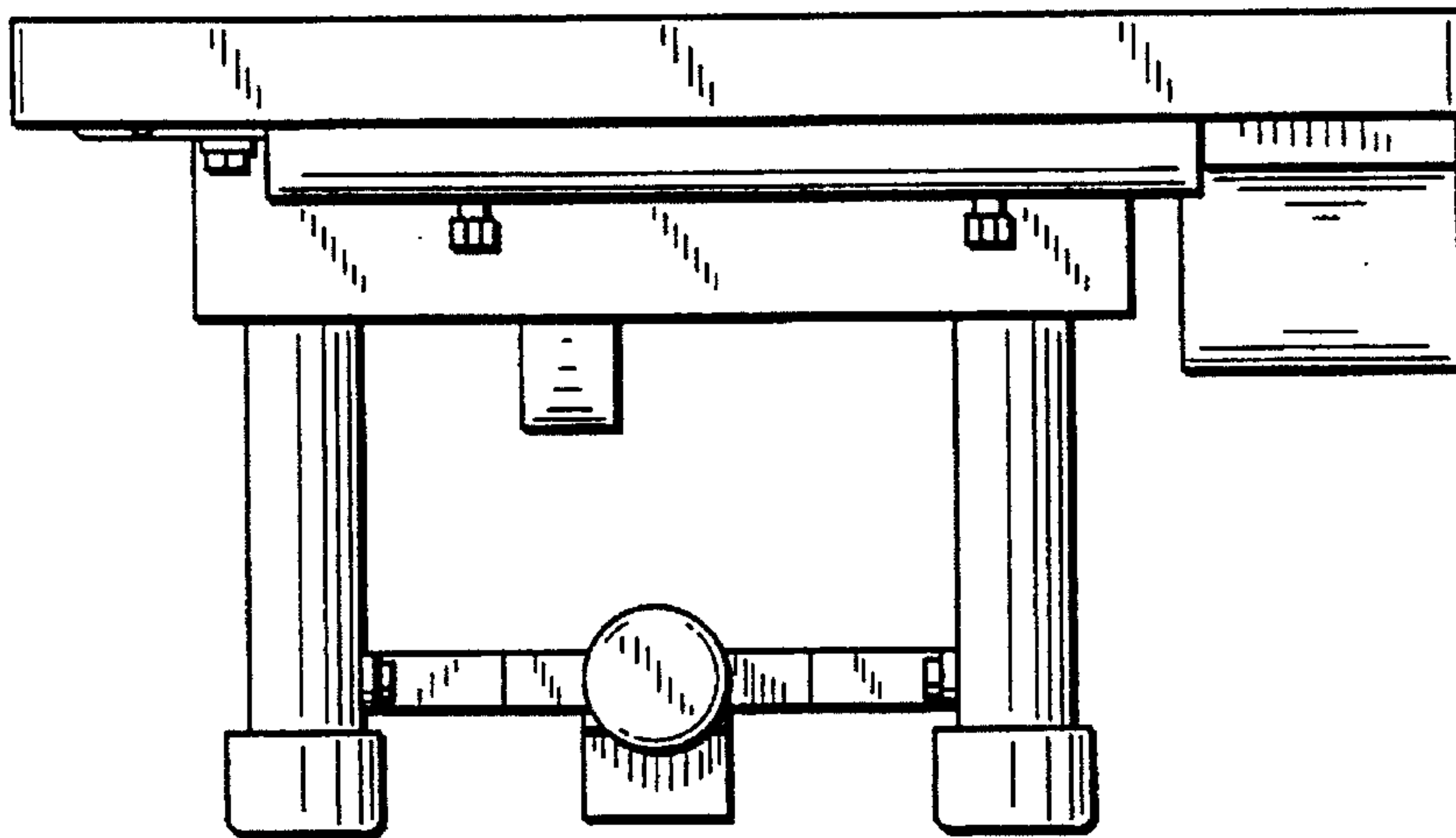


FIG.7



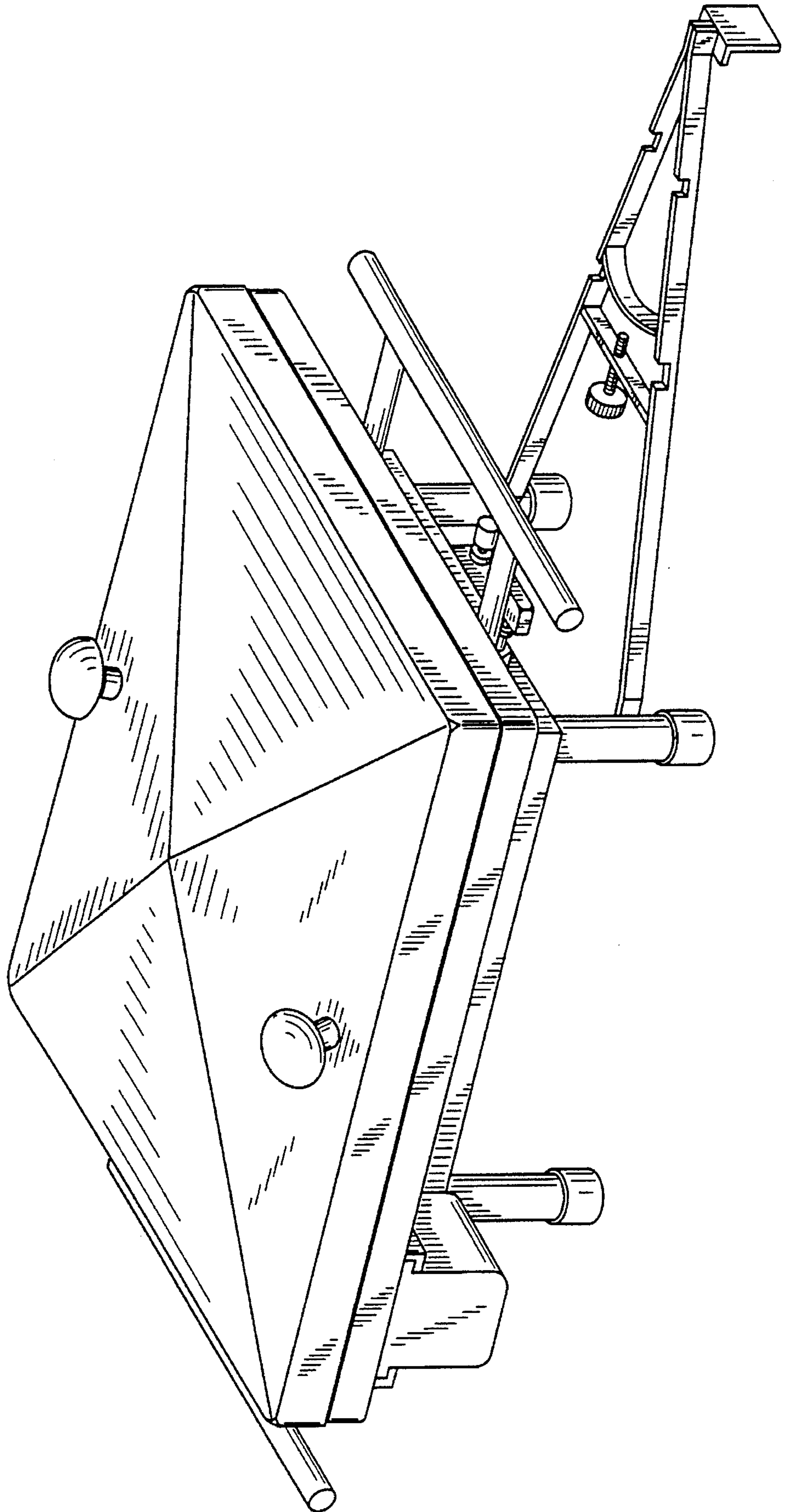


FIG. 8