



US00D378645S

United States Patent [19]

Reardon

[11] Patent Number: **Des. 378,645**

[45] Date of Patent: ****Apr. 1, 1997**

[54] **FLOOR MAT OF TREAD STRIPS WITH A SPACER ARRAY**

5,157,804 10/1992 Williams 15/215 X

FOREIGN PATENT DOCUMENTS

[75] Inventor: **Roy H. Reardon**, Wakefield, England

1605028 12/1981 United Kingdom 15/217

[73] Assignee: **BTR plc**, London, United Kingdom

Primary Examiner—Doris V. Coles

Assistant Examiner—Monica A. Hannon

[**] Term: **14 Years**

Attorney, Agent, or Firm—Watson Cole Stevens Davis P.L.L.C.

[21] Appl. No.: **18,311**

[57] CLAIM

[22] Filed: **Feb. 3, 1994**

The ornamental design for floor mat of tread strips with a spacer array, as shown and described.

[30] Foreign Application Priority Data

DESCRIPTION

Aug. 6, 1993 [GB] United Kingdom 2032952

[52] U.S. Cl. **D6/582**; D6/586

[58] Field of Search D6/582, 583, 584, D6/585, 586; D12/203; 4/558, 581, 582, 583, 608, 610; 5/52, 417, 420, 481, 900.5; 15/215, 216, 217

FIG. 1 is a top plan view showing my new design of a floor mat of tread strips with a spacer array; FIG. 2 is an enlargement of a portion of FIG. 1; FIG. 3 is an end view of FIG. 2; FIG. 4 is a side view of a portion of FIG. 2; FIG. 5 is an exploded perspective view of the mat of FIG. 1 taken from the top and one end; and, FIG. 6 is a perspective view taken from the top and one end, of the mat shown in FIG. 1.

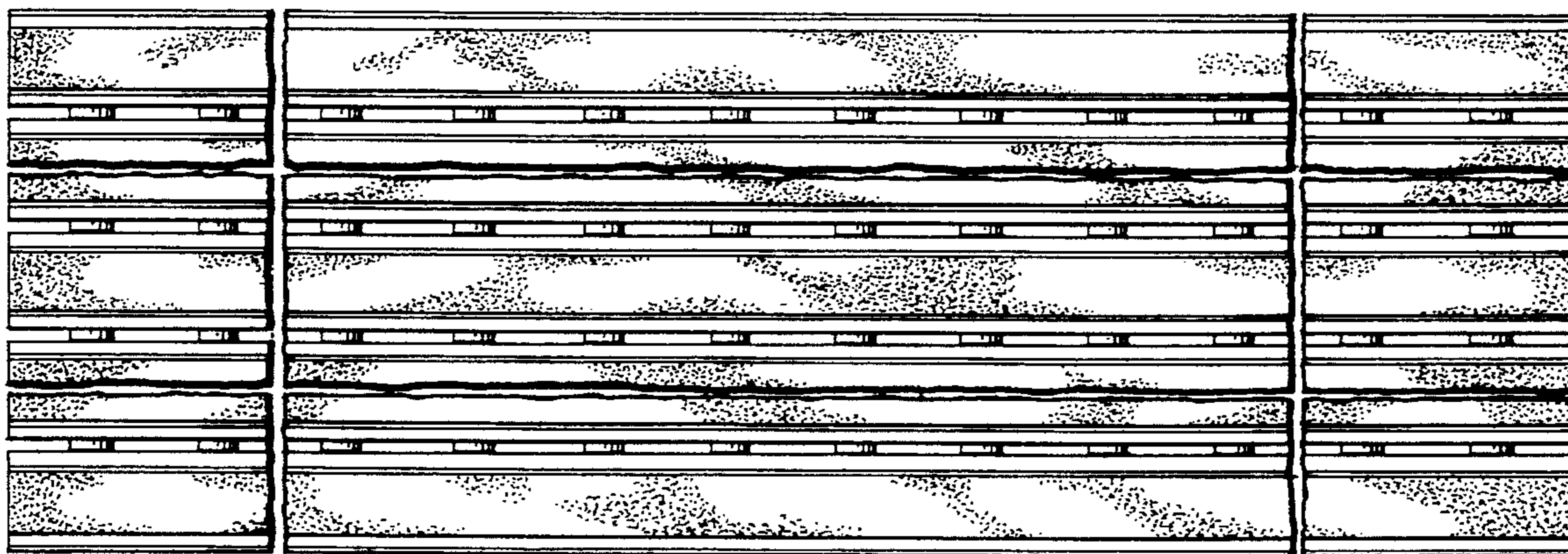
[56] References Cited

U.S. PATENT DOCUMENTS

3,038,190 6/1962 Radvanyi 15/215
4,029,834 6/1977 Bartlett 15/215 X
4,663,903 5/1987 Ellingson, Jr. 15/215 X
4,771,586 9/1988 Schmidt 15/217 X
4,952,434 8/1990 Rumsey et al. 15/215 X

The mat is shown broken away in the views to indicate indeterminate width and length.

1 Claim, 4 Drawing Sheets



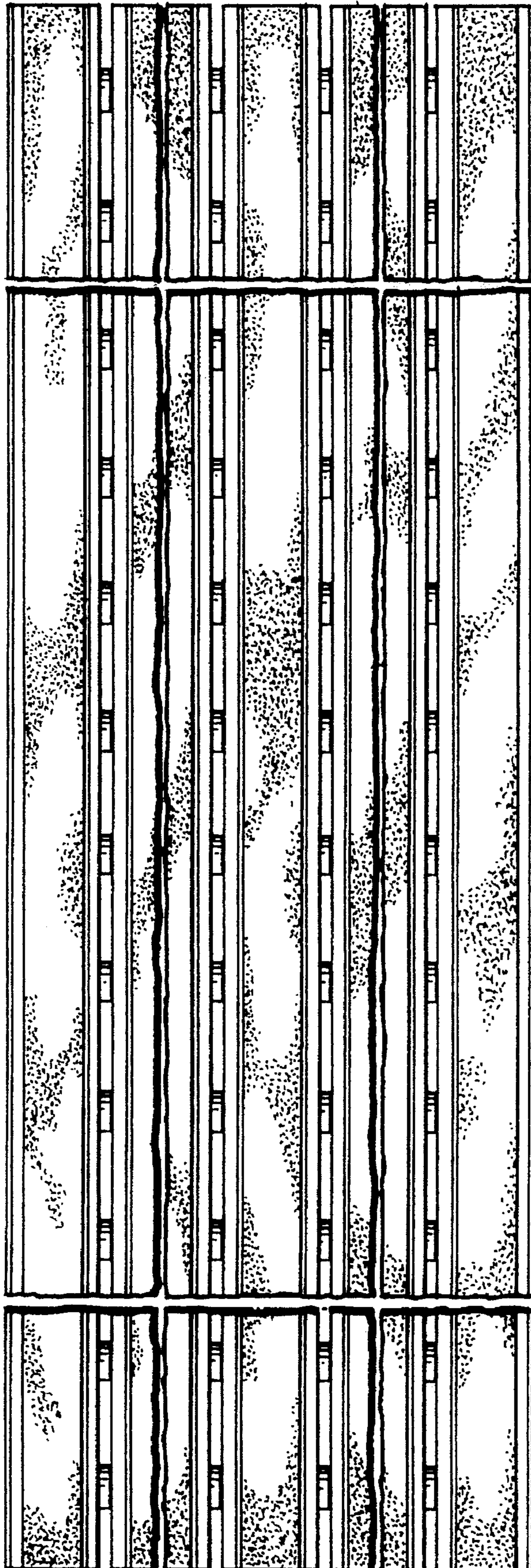


Fig. 1

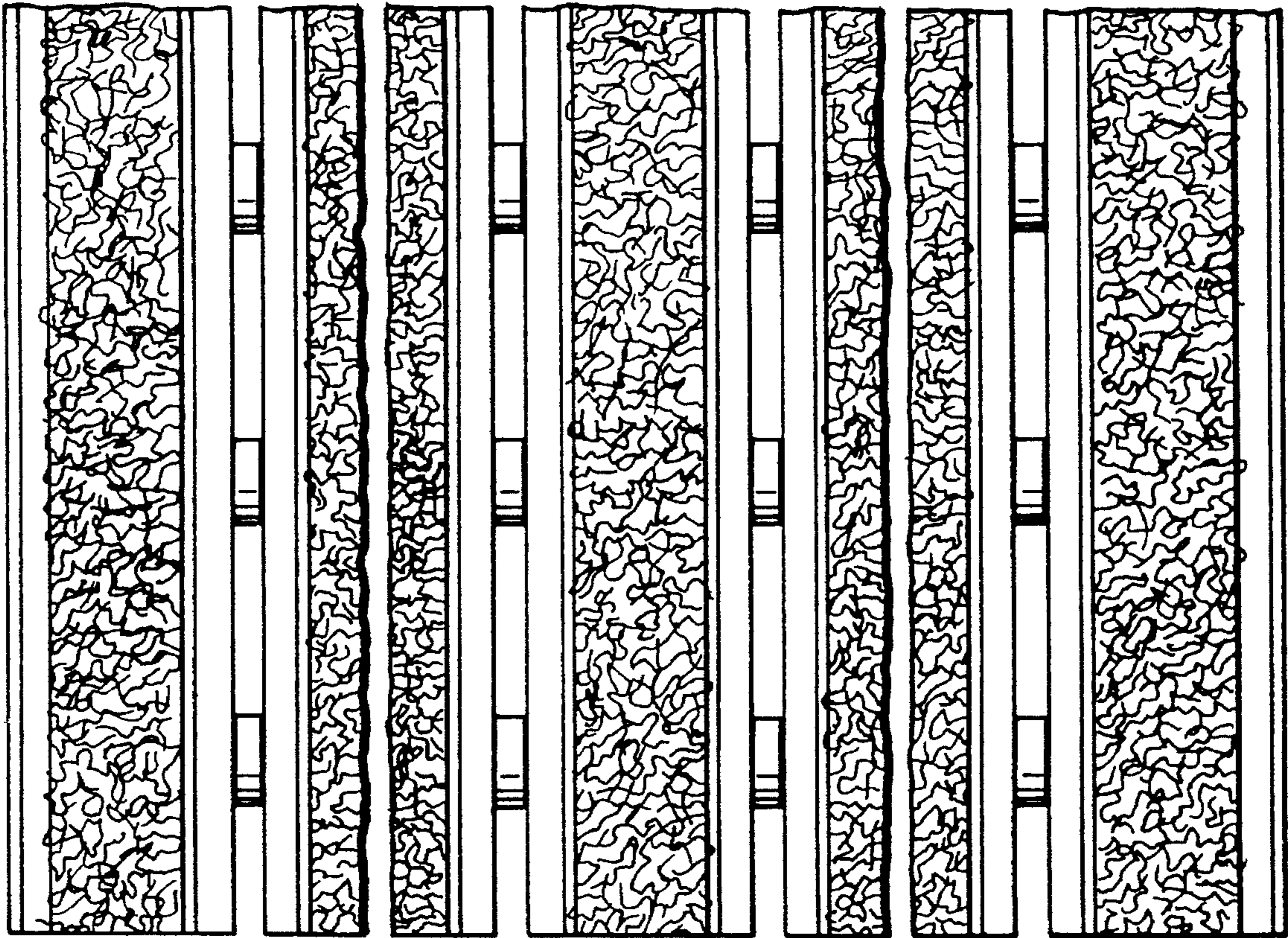


Fig. 2

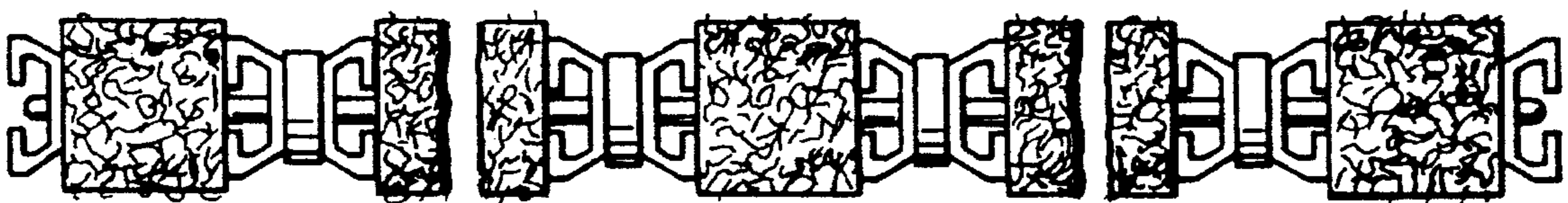


Fig. 3

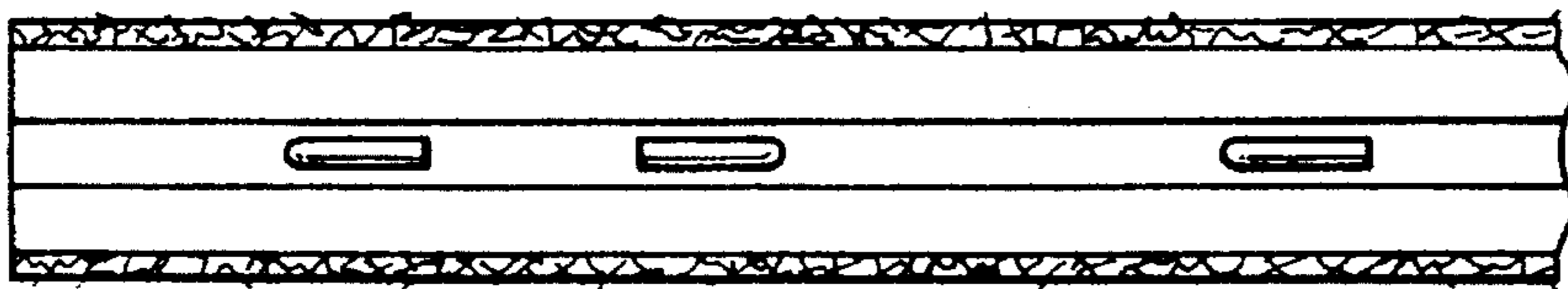


Fig. 4

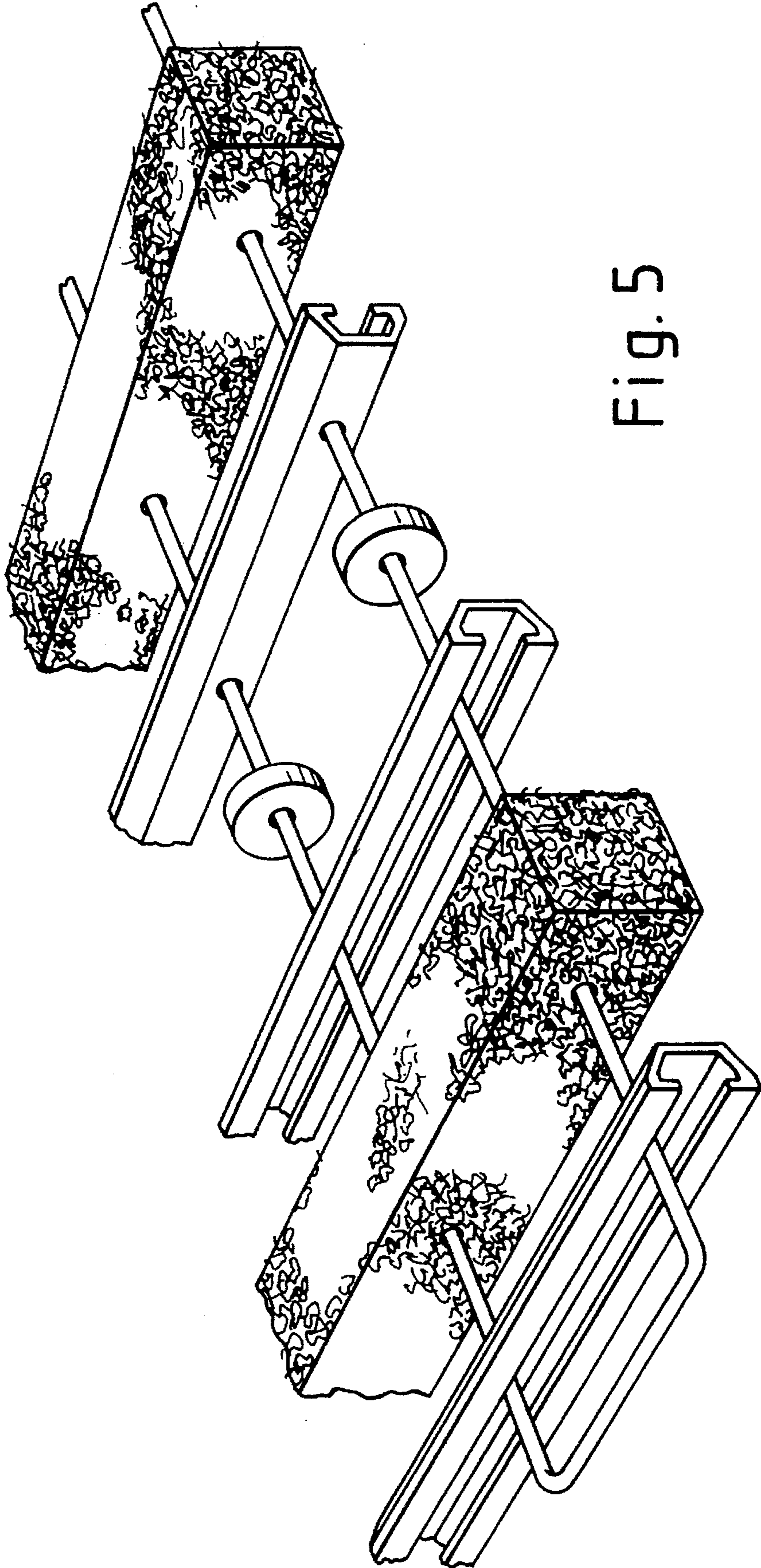


Fig. 5

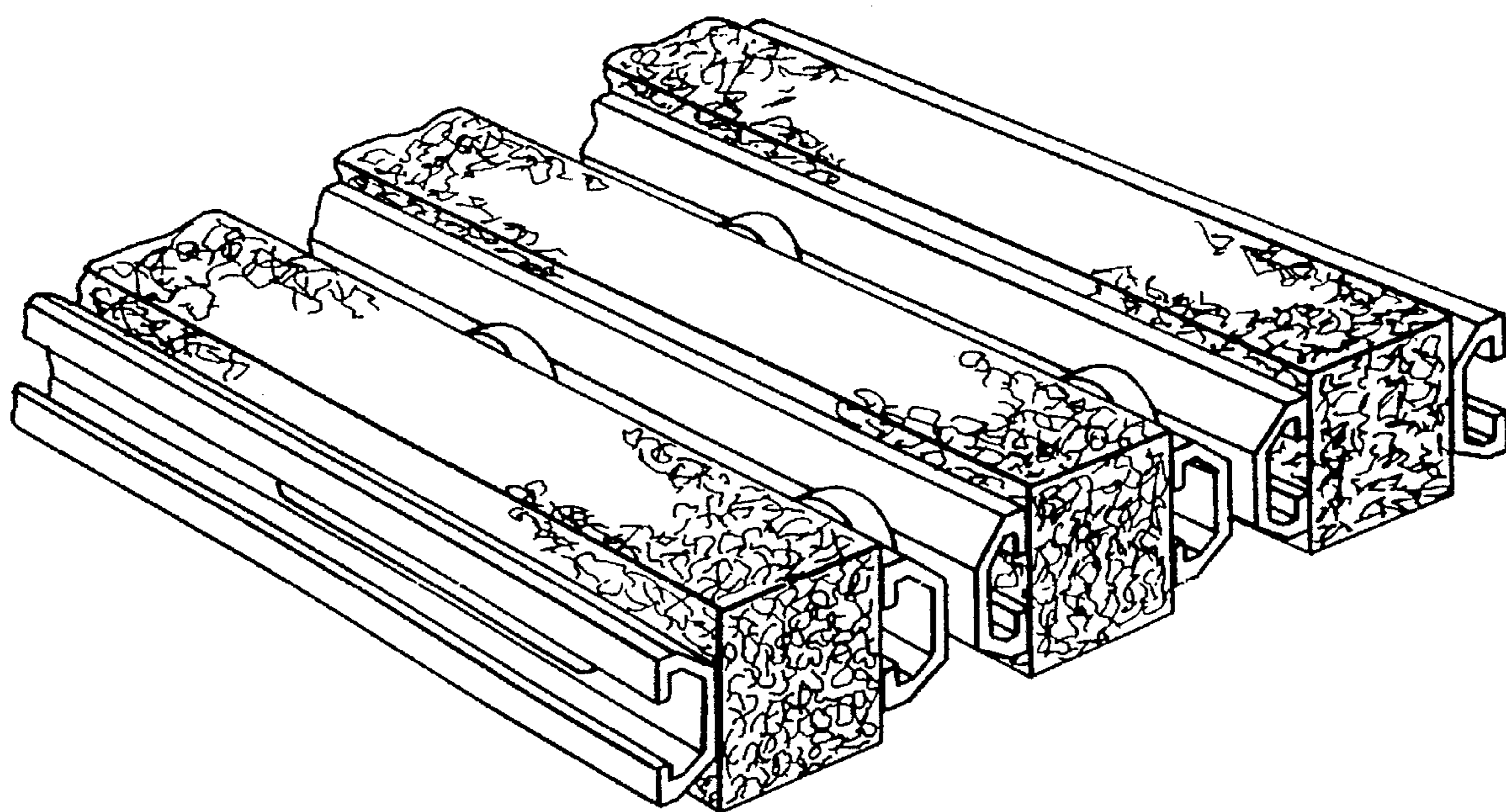


Fig. 6