



US00D378642S

United States Patent [19]

[11] Patent Number: **Des. 378,642**

DeGennaro

[45] Date of Patent: ****Apr. 1, 1997**

[54] **LIQUID DISPENSER**

D. 339,944 10/1993 Slomonia D6/542

[75] Inventor: **Michael DeGennaro**, Larchmont, N.Y.

Primary Examiner—Brian N. Vinson
Attorney, Agent, or Firm—Bauer & Schaffer

[73] Assignee: **Consumer Promotions Inc.**, Mount Vernon, N.Y.

[57] **CLAIM**

[**] Term: **14 Years**

The ornamental design for liquid dispenser, as shown.

[21] Appl. No.: **46,447**

DESCRIPTION

[22] Filed: **Nov. 15, 1995**

FIG. 1 is a front perspective view of the liquid dispenser of the present invention;

[52] U.S. Cl. **D6/542**

FIG. 2 is a front elevational view of the dispenser;

[58] Field of Search D6/542-545; 222/173, 222/179-186; 221/282-286

FIG. 3 is a back elevational view of the dispenser; FIG. 4 is a side elevational view of dispenser, the opposite side being identical;

[56] **References Cited**

U.S. PATENT DOCUMENTS

- D. 247,940 5/1978 Tobin D6/542
- D. 285,272 8/1986 Bunschoten et al. D6/545
- D. 319,634 8/1991 Steiner D6/545 X

FIG. 5 is a top plan view of the dispenser; and, FIG. 6 is a bottom plan view of the dispenser.

The broken-line disclosure in the views is for illustrative purposes only and forms no part of the claimed design.

1 Claim, 5 Drawing Sheets

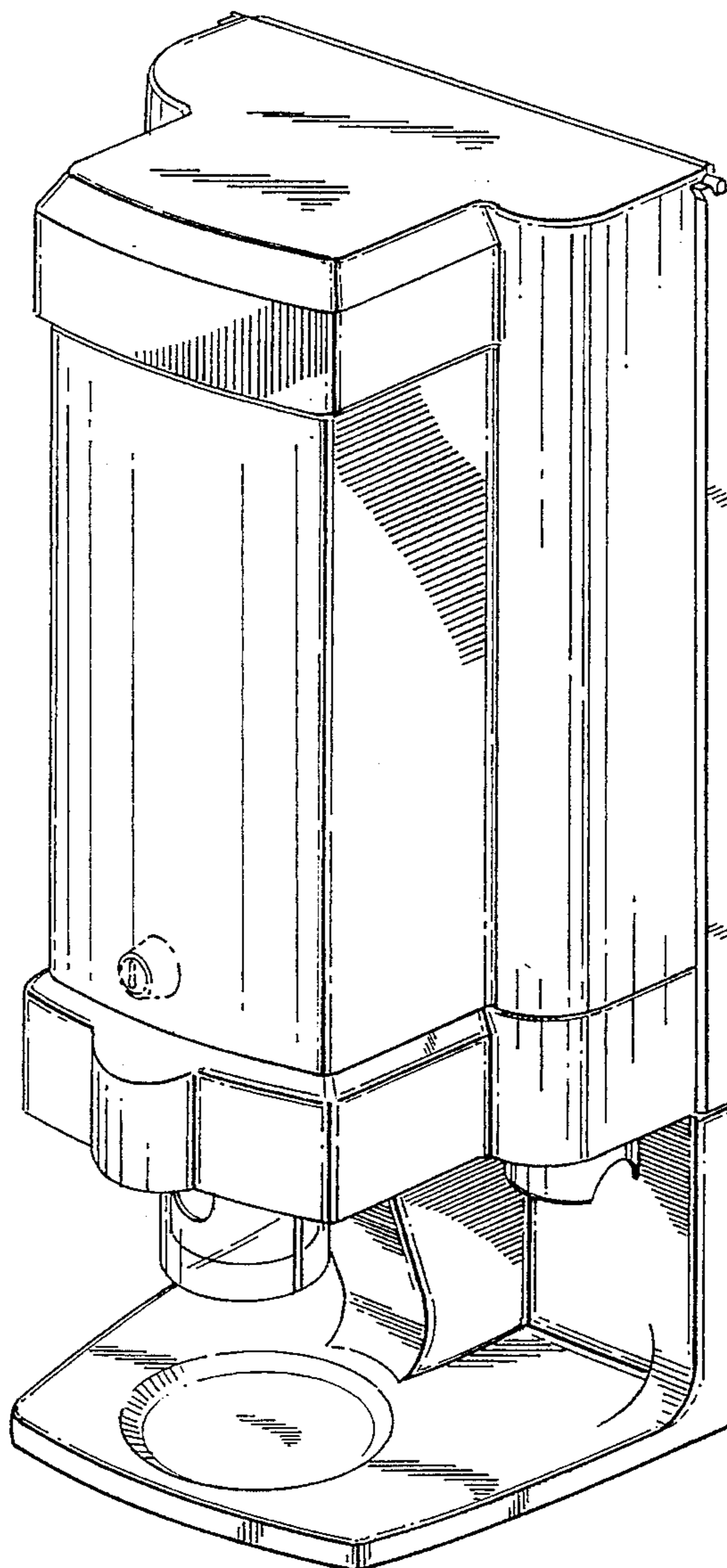
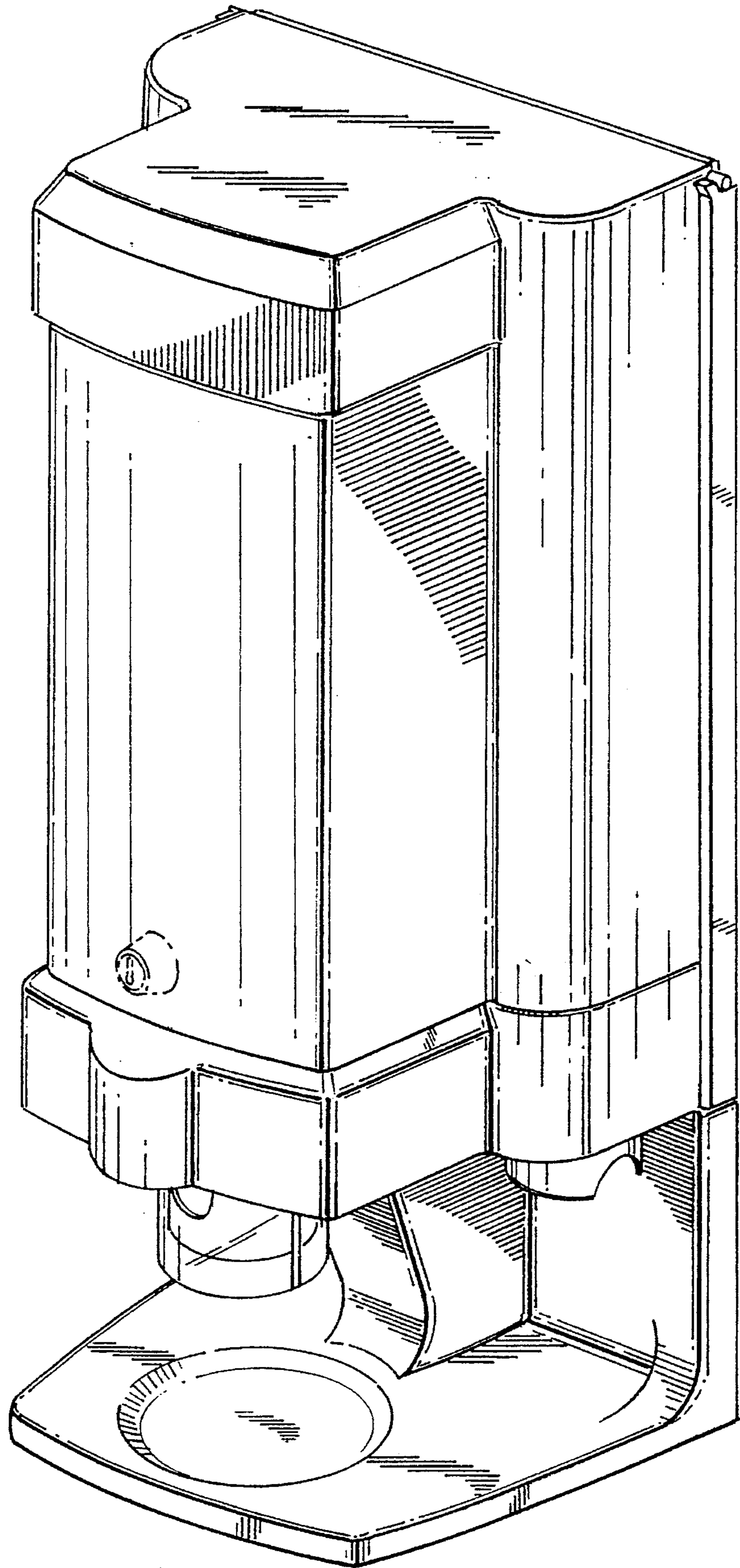


Fig. 1



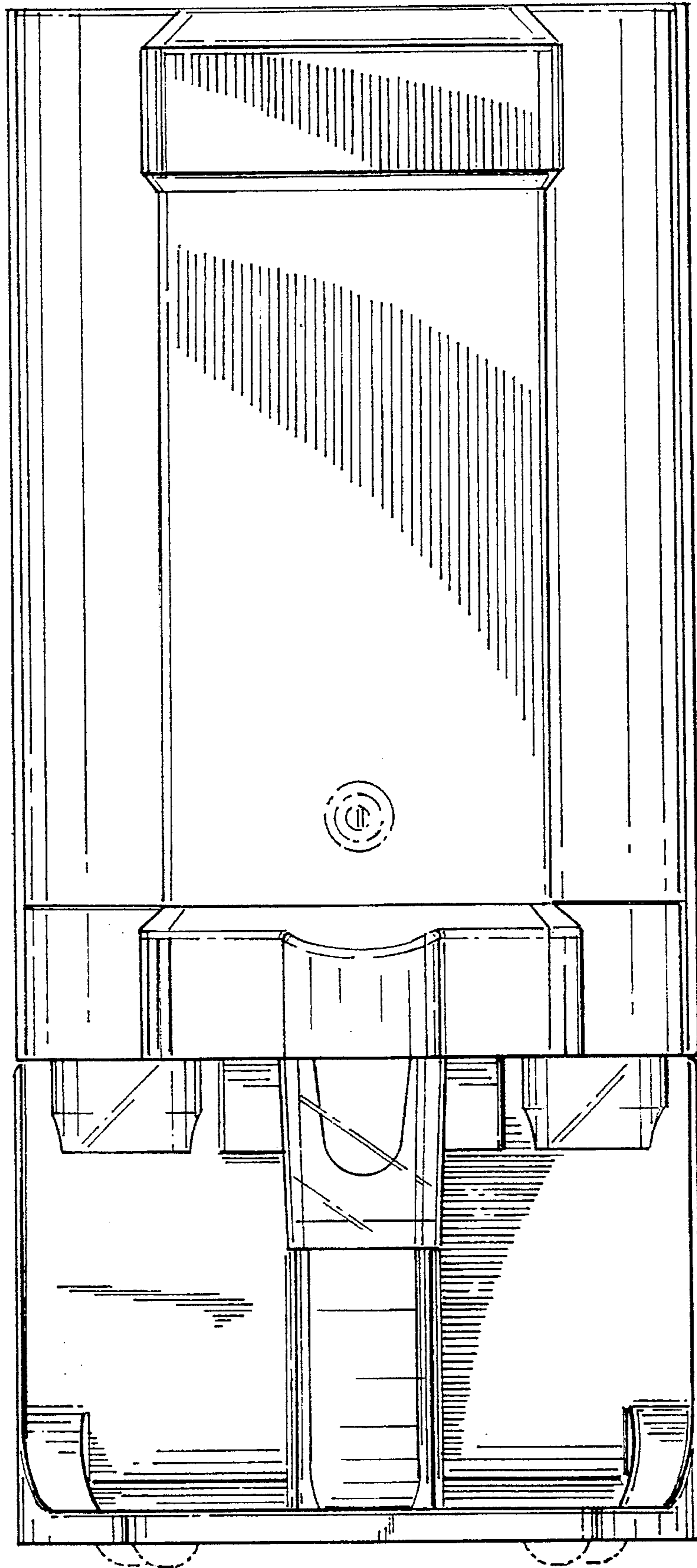


Fig. 2

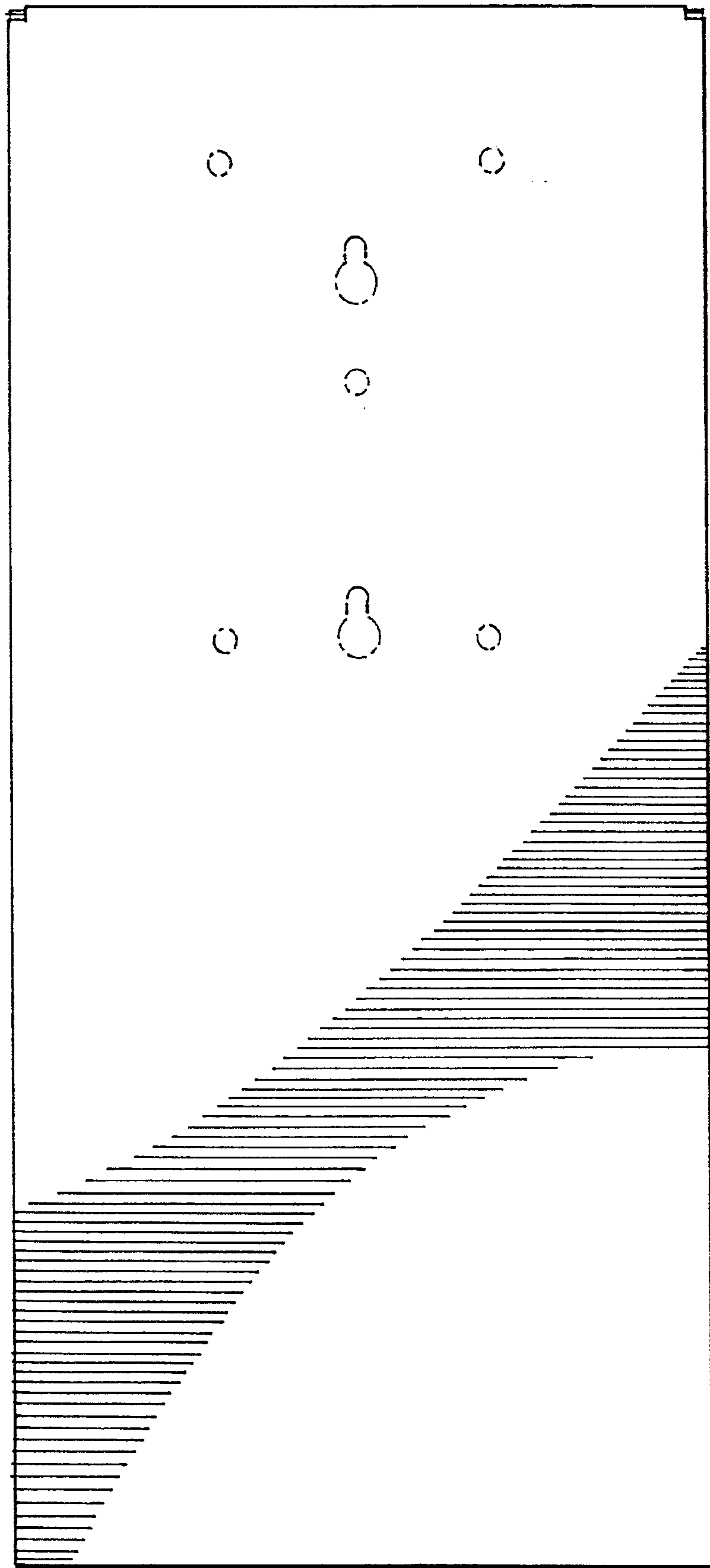


Fig. 3

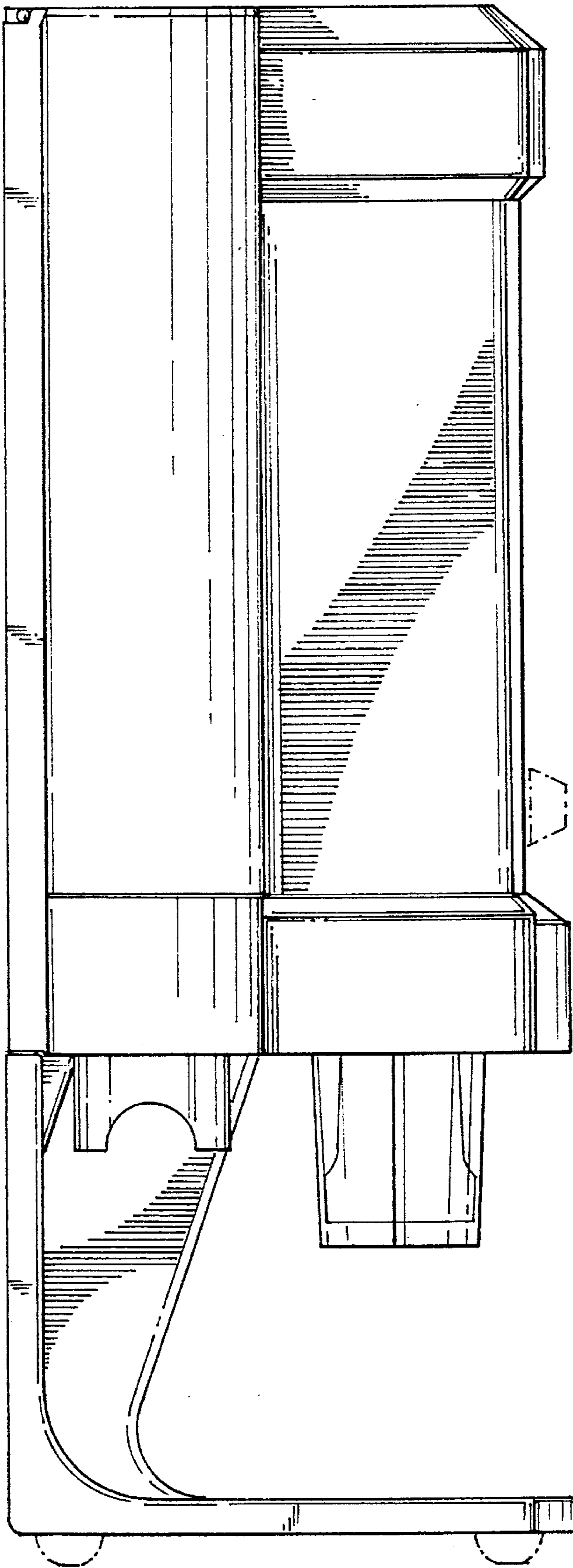


Fig. 4

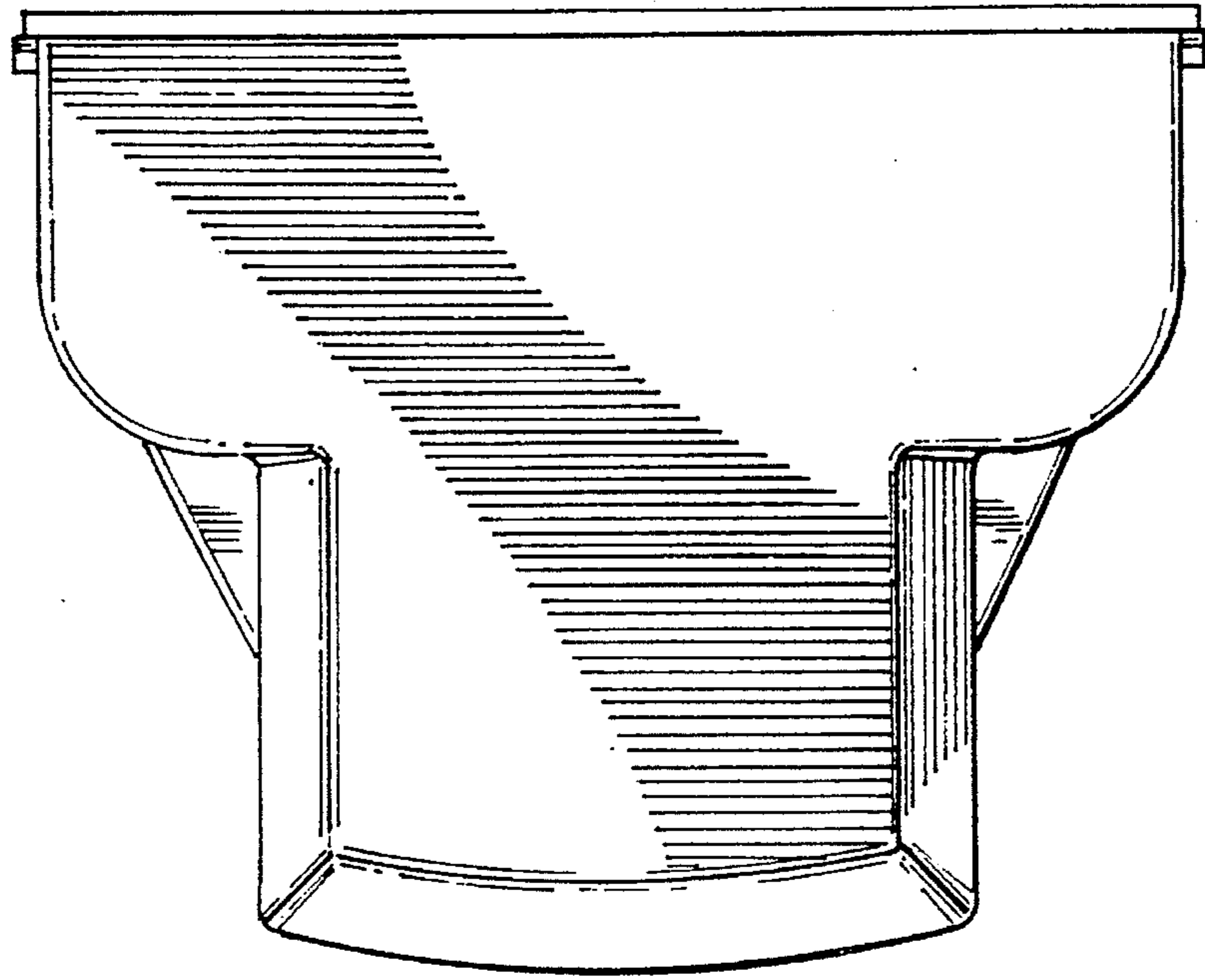


Fig. 5

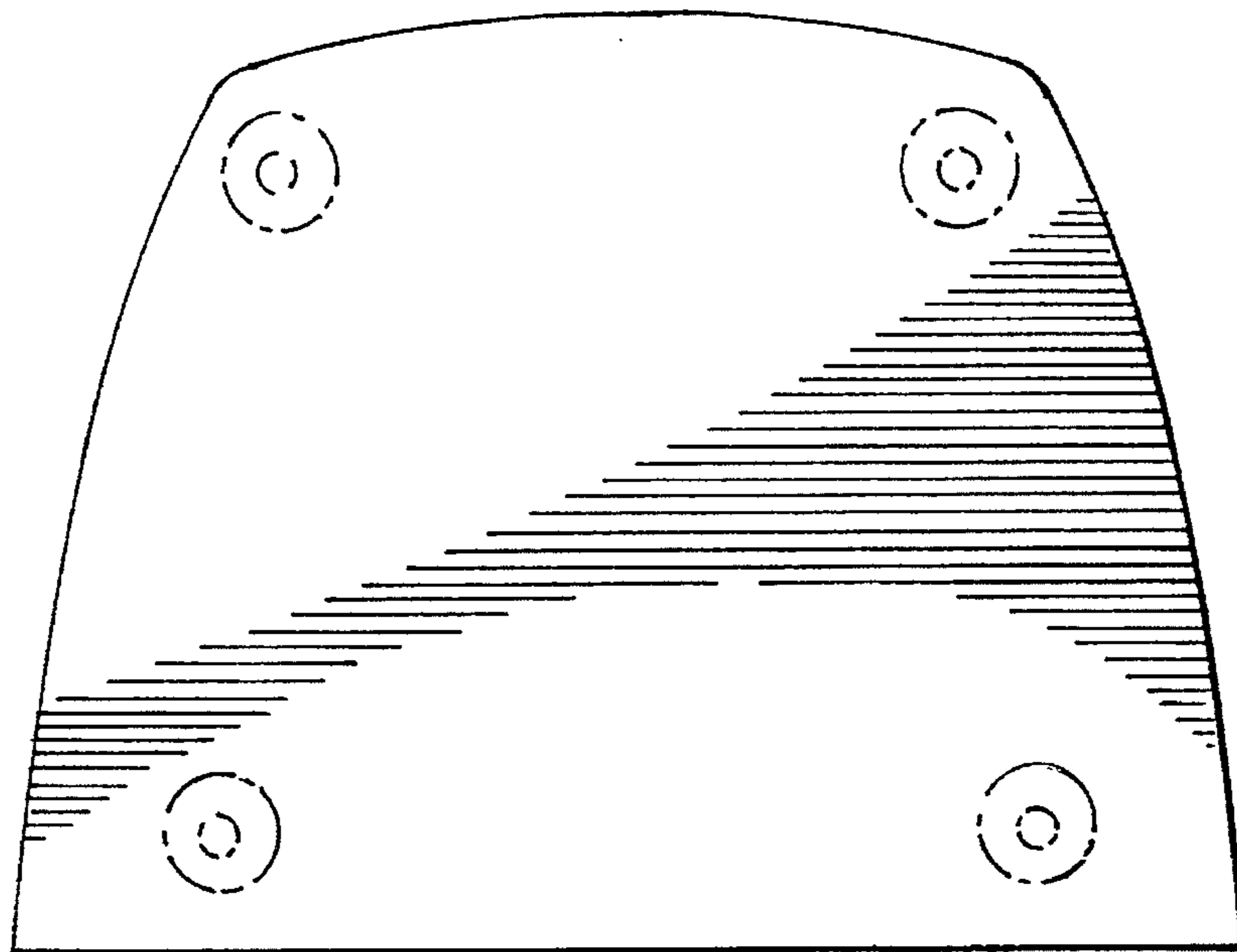


Fig. 6