



US00D378640S

# United States Patent [19]

[11] Patent Number: **Des. 378,640**

Yeh

[45] Date of Patent: **\*\*Apr. 1, 1997**

[54] **HEADBOARD FOR BEDS**

D. 361,233 8/1995 Yeh ..... D6/508

[76] Inventor: **John Yeh**, 660 S. Aberdeen, Anaheim Hills, Calif. 92807

*Primary Examiner*—Janice E. Seeger  
*Attorney, Agent, or Firm*—Francis X. LoJacono

[\*\*] Term: **14 Years**

[57] **CLAIM**

[21] Appl. No.: **53,253**

The ornamental design for a headboard for beds, as shown and described.

[22] Filed: **Apr. 18, 1996**

### DESCRIPTION

[52] U.S. Cl. .... **D6/505**

[58] Field of Search ..... D6/382-385, 389, D6/390-395, 505-508; 5/53.1, 279.1, 280.

FIG. 1 is a front pictorial view of a headboard for beds, showing my new design thereof;

FIG. 2 is a rear-elevational view thereof;

FIG. 3 is a left side-elevational view thereof;

FIG. 4 is a right side-elevational view thereof;

FIG. 5 is a top plan view thereof; and,

FIG. 6 is a bottom plan view thereof.

### [56] References Cited

#### U.S. PATENT DOCUMENTS

D. 78,865	6/1929	Stuart	.....	D6/507
D. 315,074	3/1991	Schoonover	.....	D6/505
D. 336,797	6/1993	Stone et al.	.....	D6/393
D. 345,264	3/1994	Stone et al.	.....	D6/393

**1 Claim, 1 Drawing Sheet**

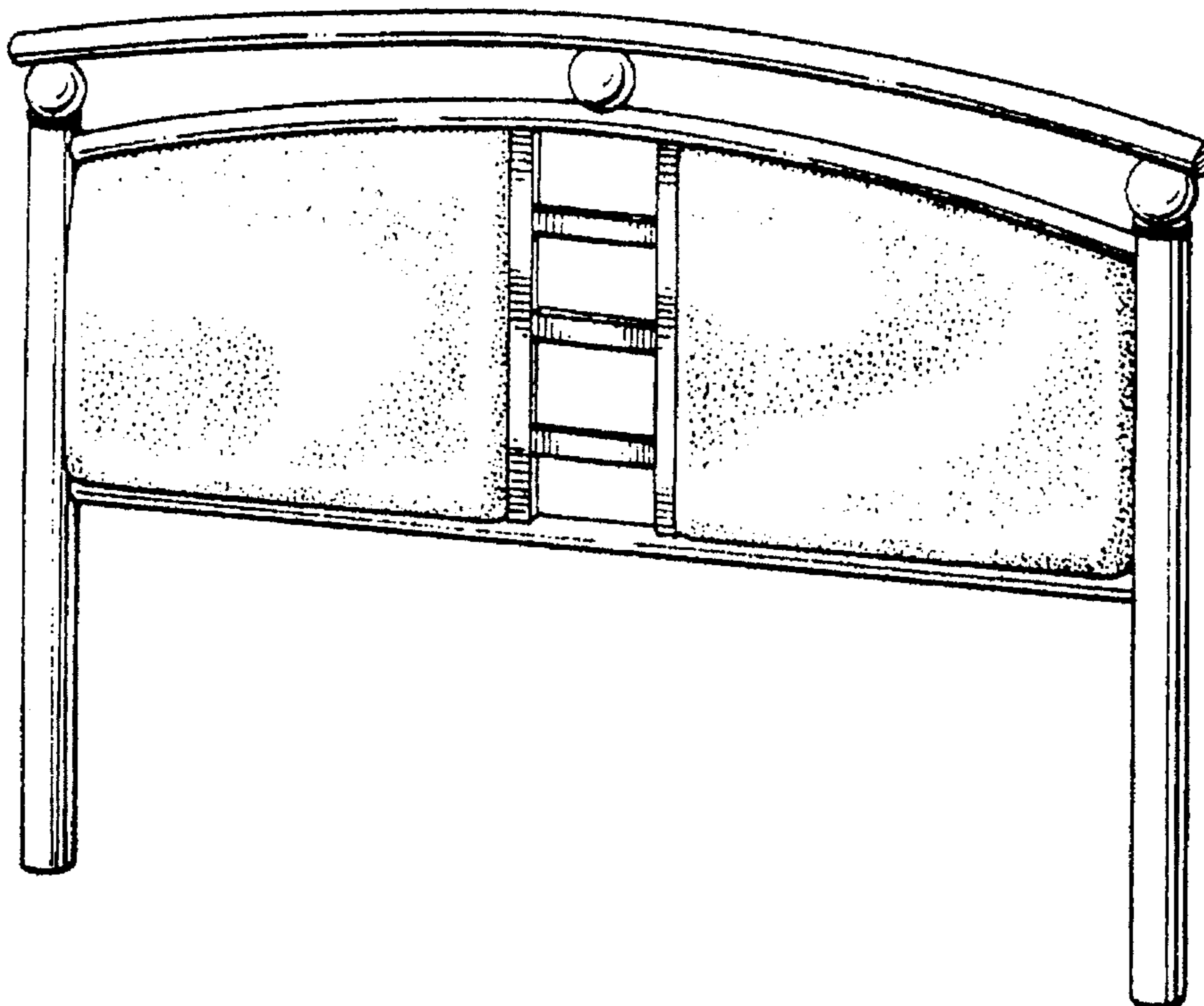


FIG. 1

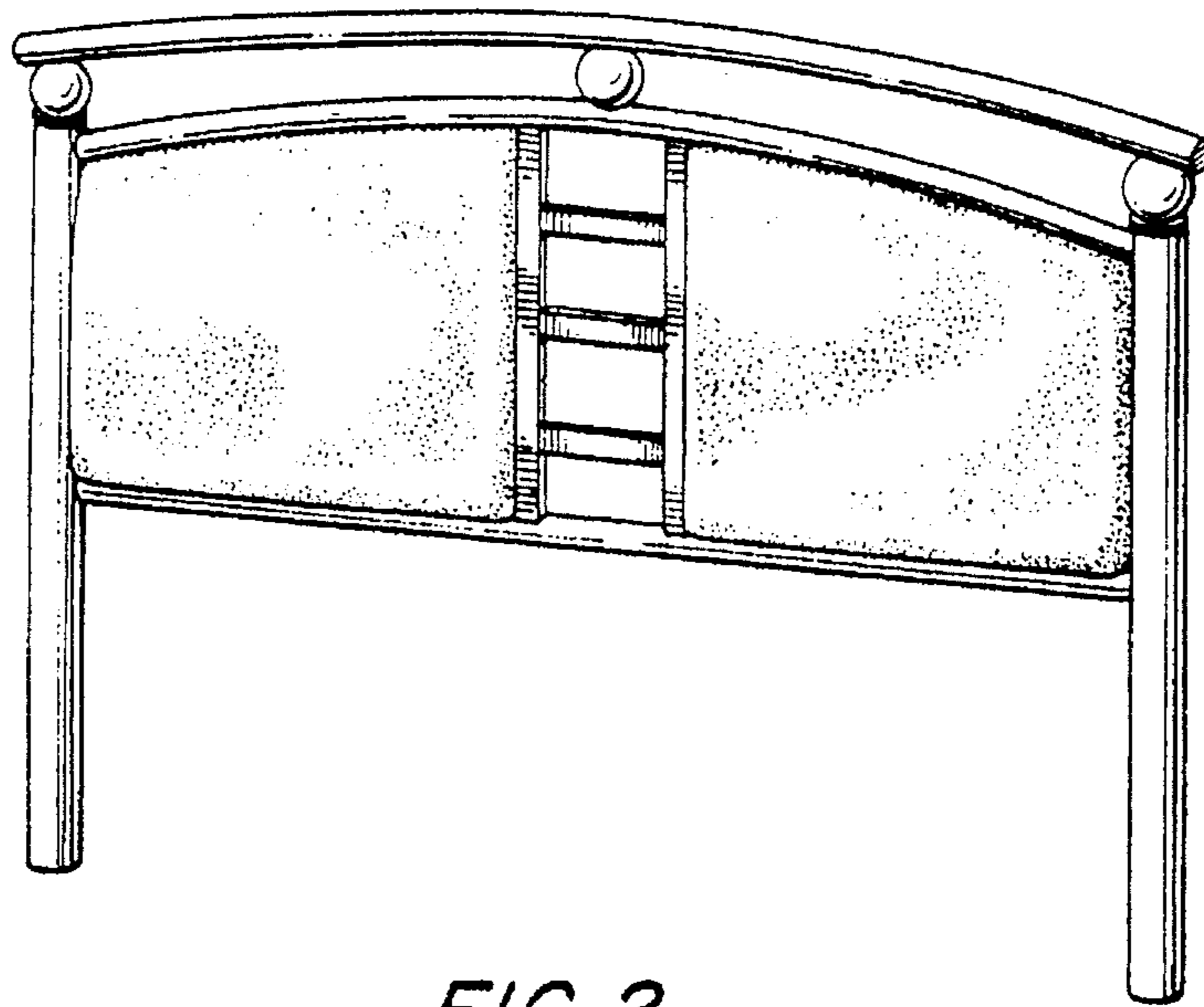


FIG. 3

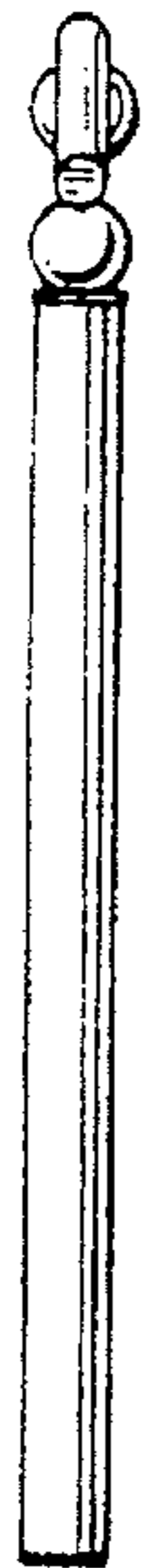


FIG. 2

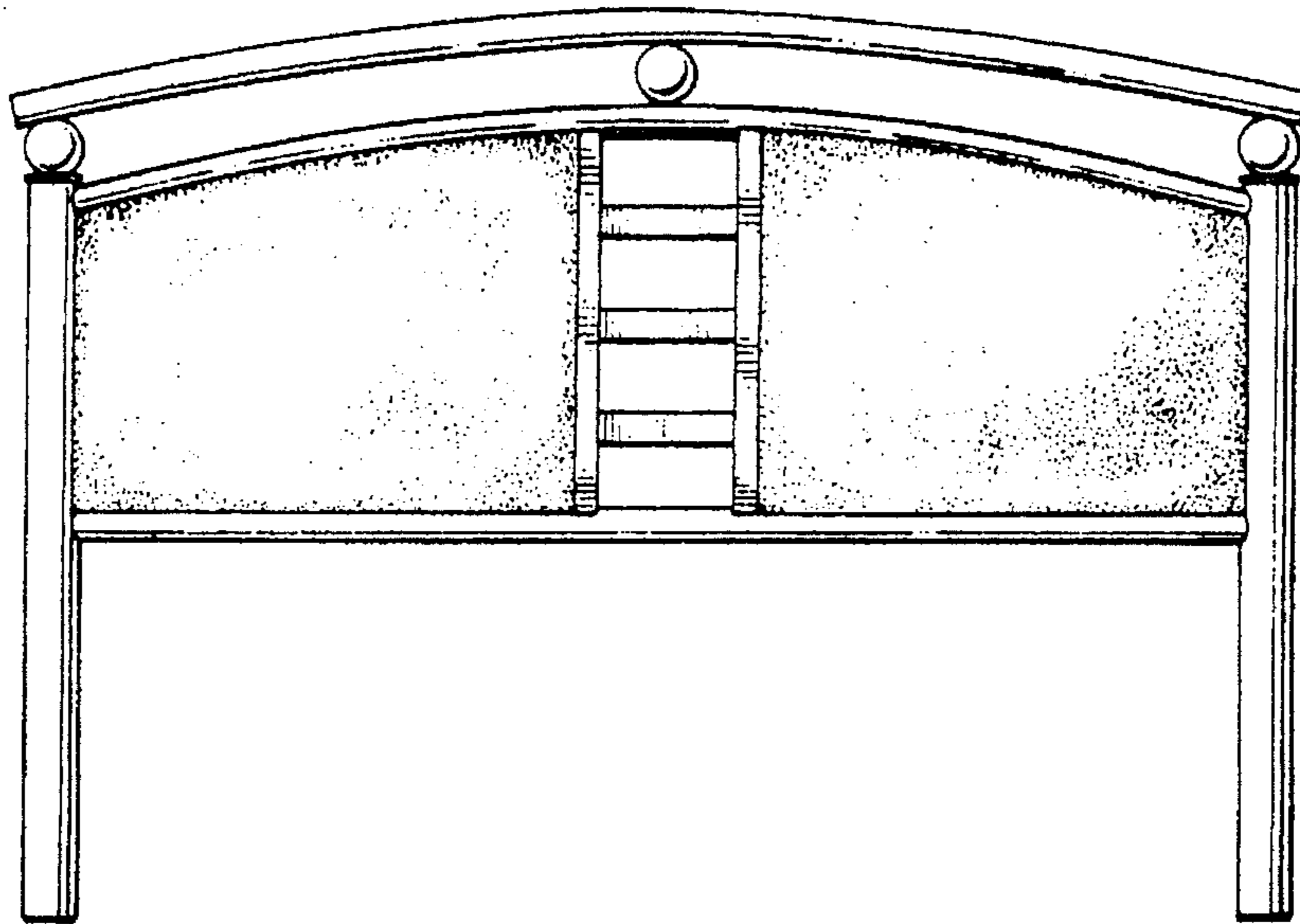


FIG. 4

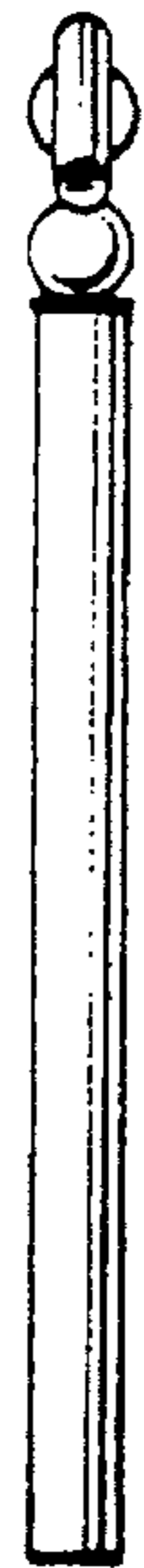


FIG. 5



FIG. 6

