



US00D378635S

# United States Patent [19]

Studer et al.

[11] Patent Number: **Des. 378,635**

[45] Date of Patent: **\*\*Apr. 1, 1997**

[54] **PORTABLE, ADJUSTABLE HEIGHT TABLE**

3,890,907 6/1975 Peterson ..... 108/144 X  
3,917,368 11/1975 Gusdorf et al. .... 248/188.7 X

[75] Inventors: **Reto Studer**, Avenches, Switzerland;  
**Theodor Wolf**, Senden, Germany

### OTHER PUBLICATIONS

Interiors, Sep. 1983, p. 10, VDT stand.

[73] Assignee: **Haag-Streit AG**, Koniz, Switzerland

*Primary Examiner*—Janice E. Seeger

[\*\*] Term: **14 Years**

### [57] CLAIM

[21] Appl. No.: **37,909**

The ornamental design for a portable, adjustable height table, as shown and described.

[22] Filed: **Apr. 24, 1995**

### [30] Foreign Application Priority Data

### DESCRIPTION

Oct. 25, 1994 [CH] Switzerland ..... 121-758

[52] U.S. Cl. .... **D6/429; D6/486**

[58] Field of Search ..... D6/480-489, 429,  
D6/430, 496, 498; 108/150, 153, 157, 161,  
144, 147; 248/188, 188.1, 157, 188.7

FIG. 1 is a perspective view showing the rear, top and left side of a portable, adjustable height table showing our new design;

FIG. 2 is a front elevational view thereof;

FIG. 3 is a rear elevational view thereof;

FIG. 4 is a right side elevational view thereof;

FIG. 5 is a left side elevational view thereof;

FIG. 6 is a top plan view thereof; and,

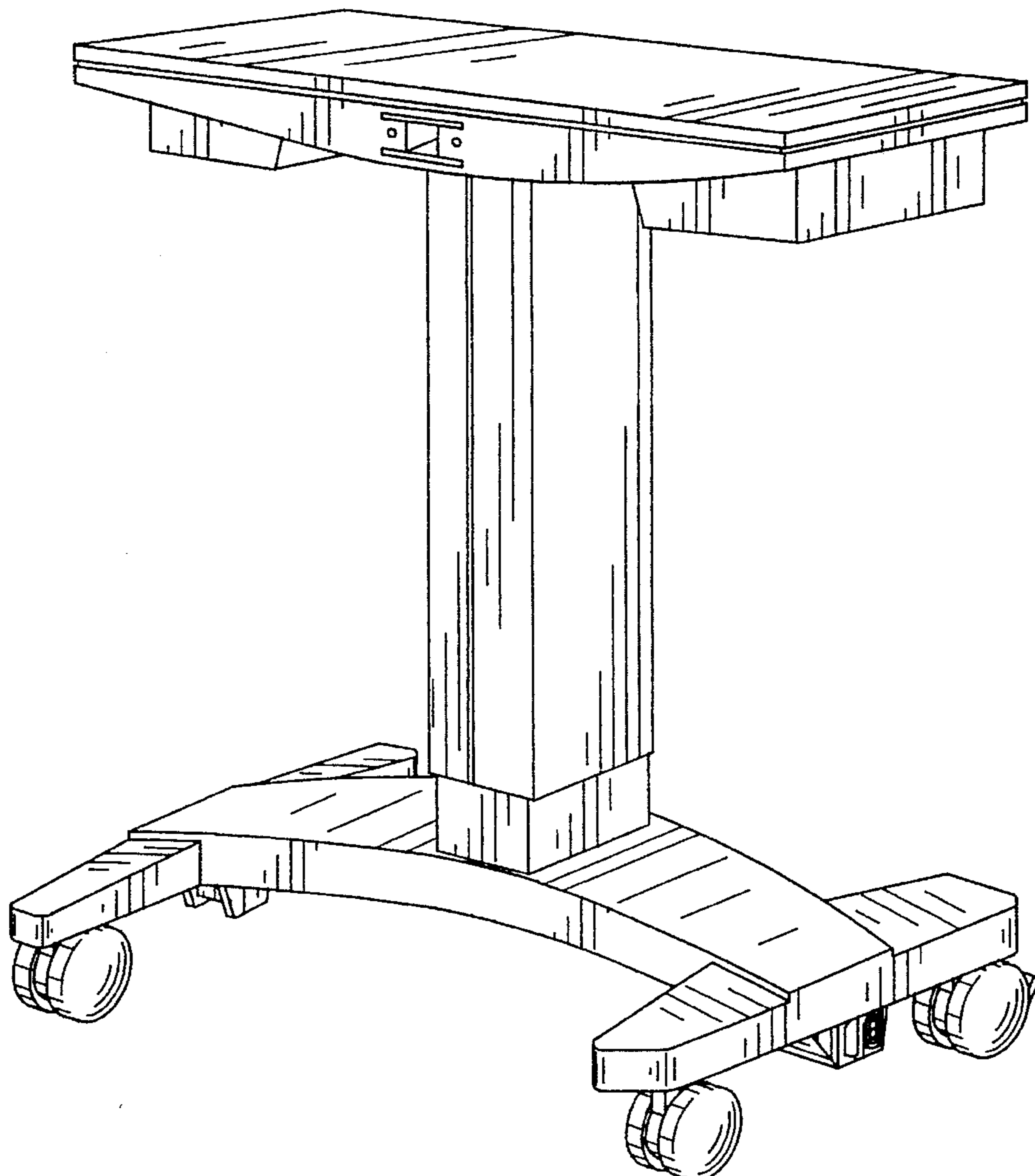
FIG. 7 is a bottom plan view thereof.

### [56] References Cited

#### U.S. PATENT DOCUMENTS

D. 332,712 1/1993 Schaen ..... D6/496  
775,006 11/1904 Groll ..... 108/150

**1 Claim, 7 Drawing Sheets**



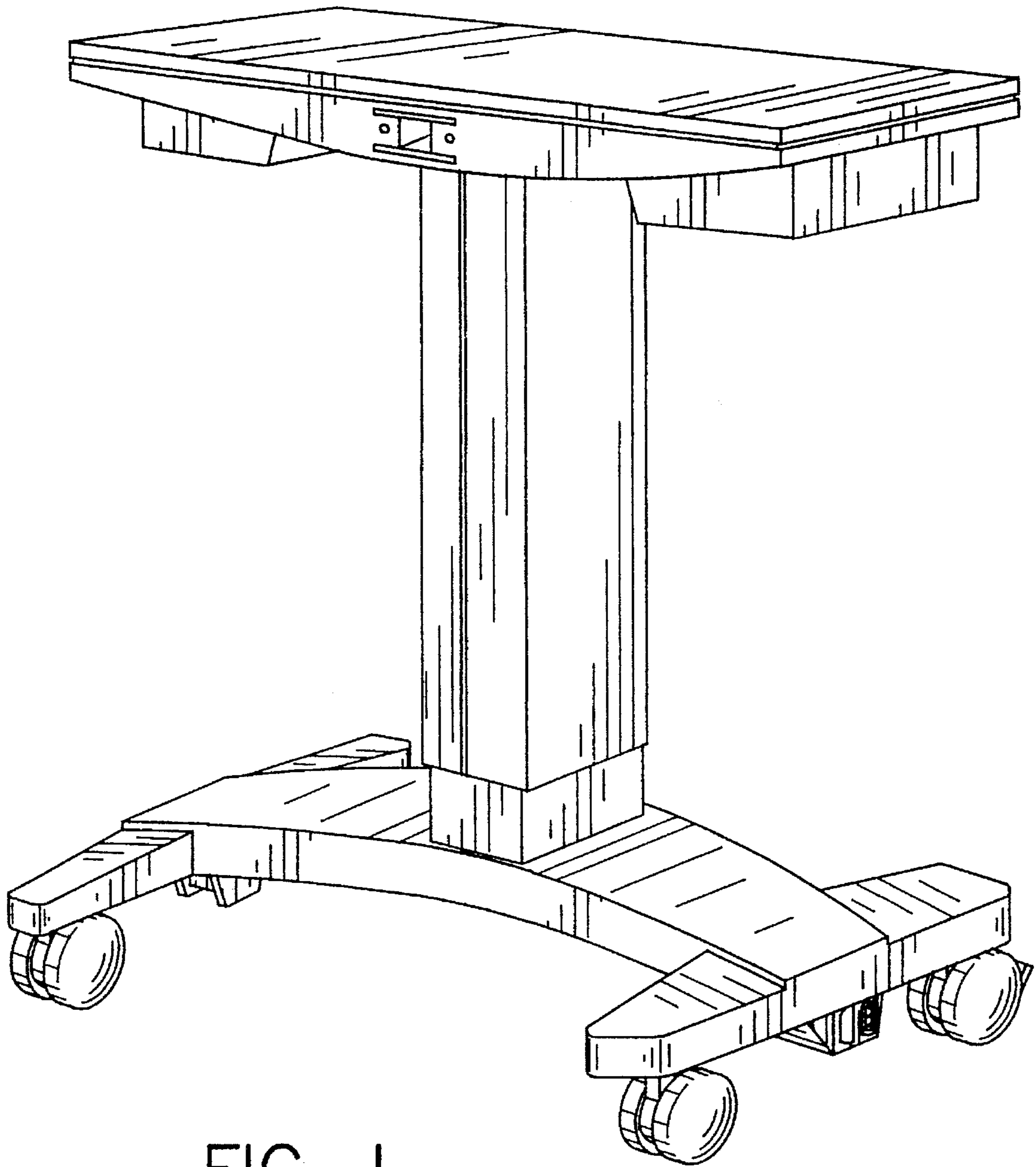


FIG. 1

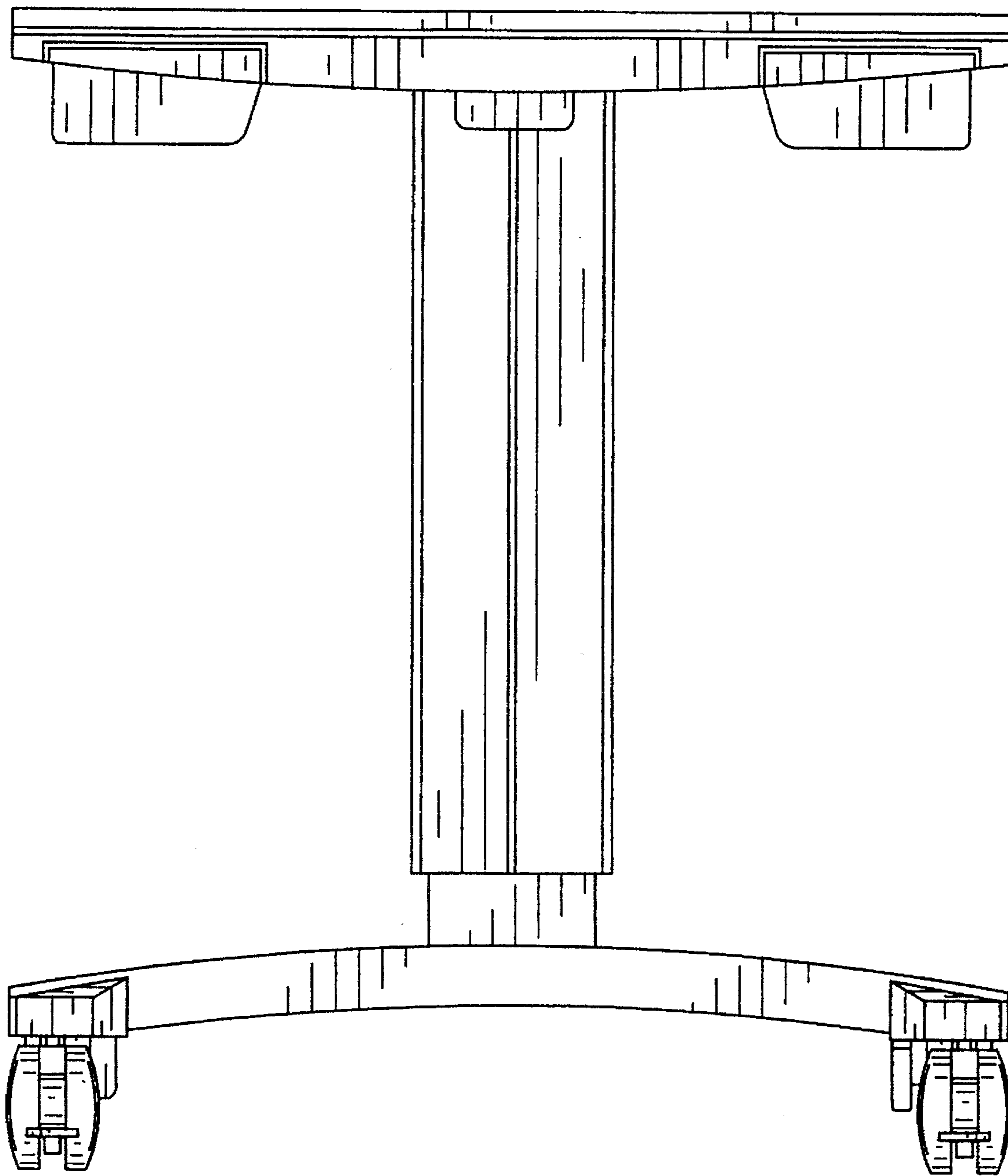


FIG. 2

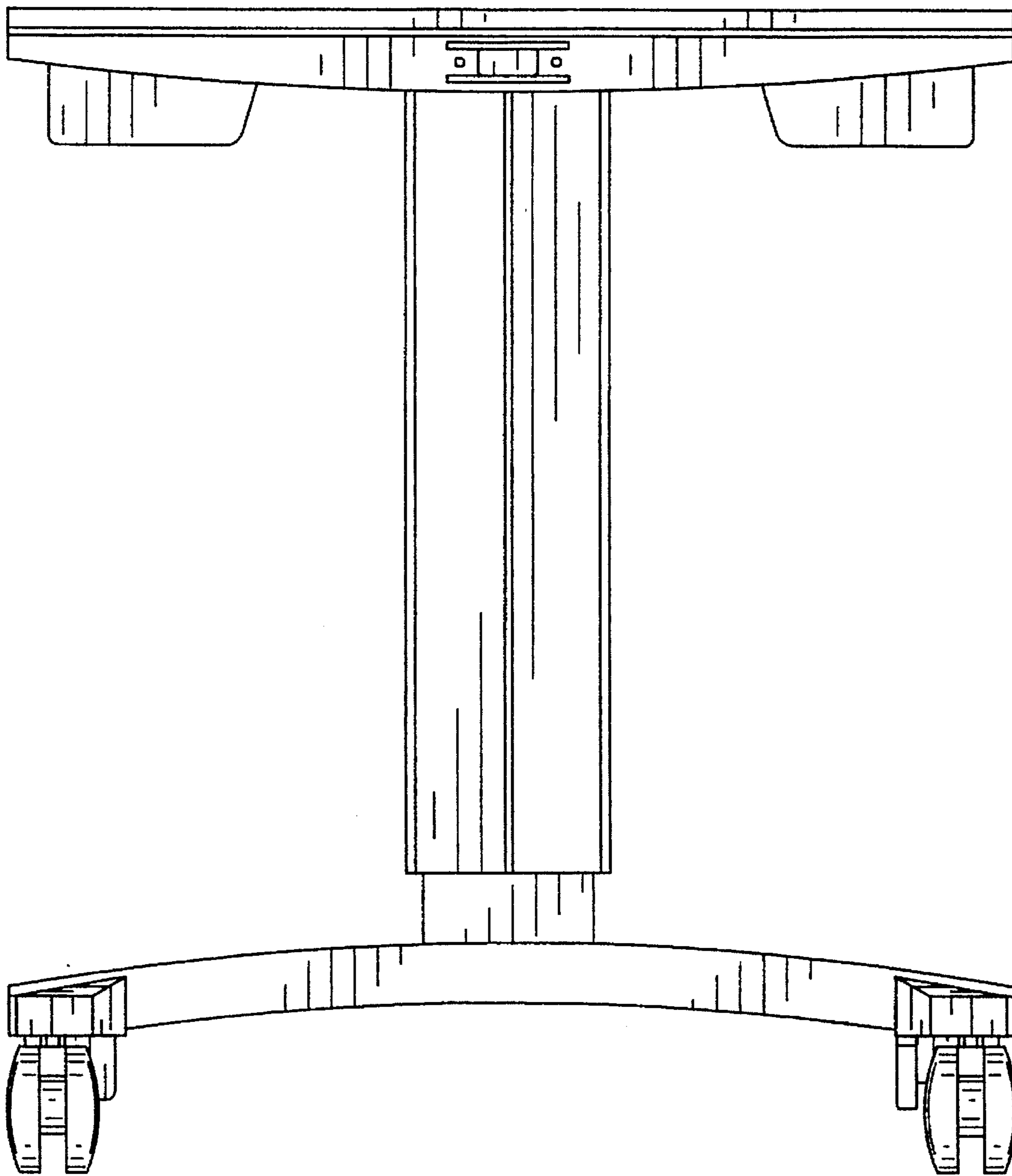


FIG. 3

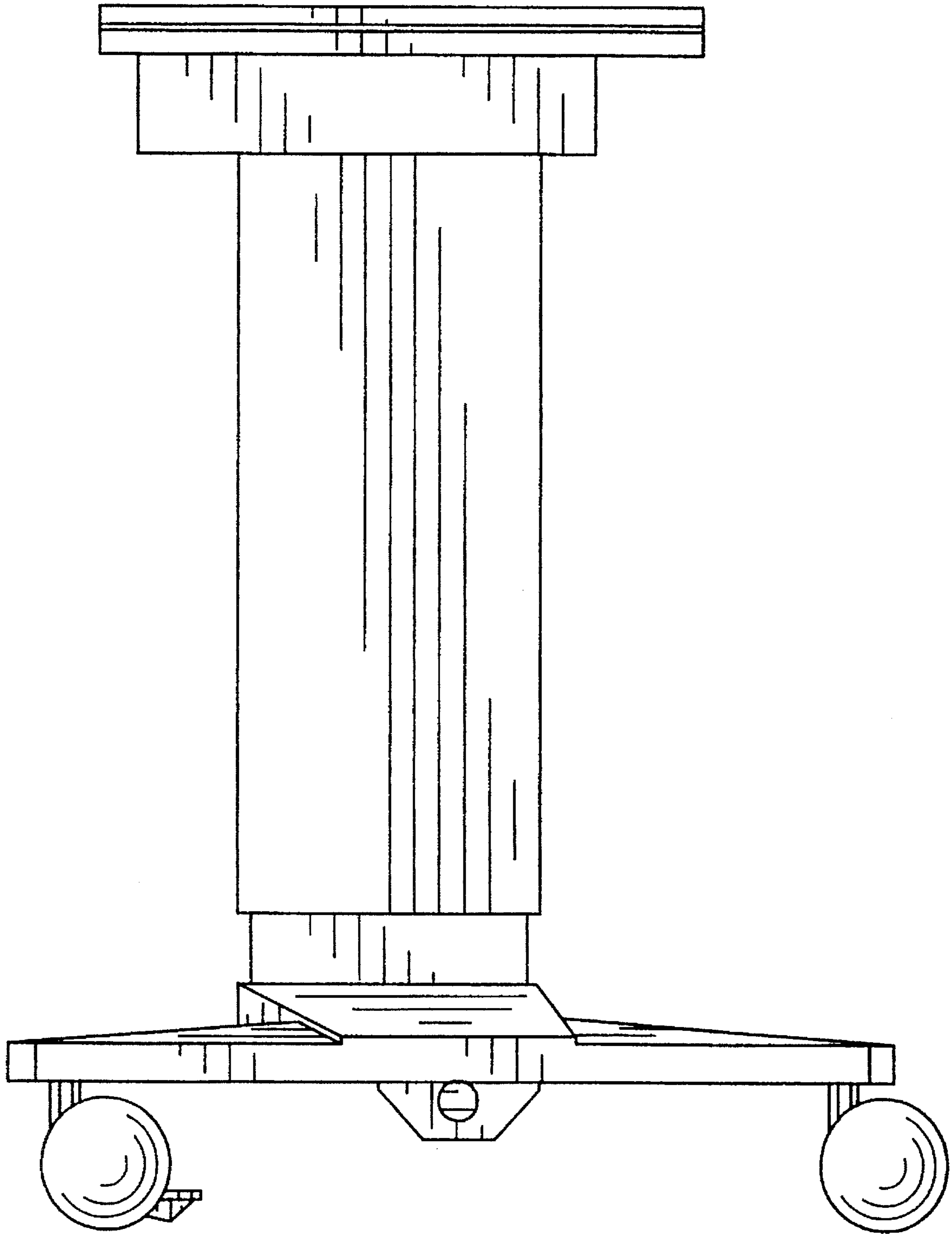


FIG. 4

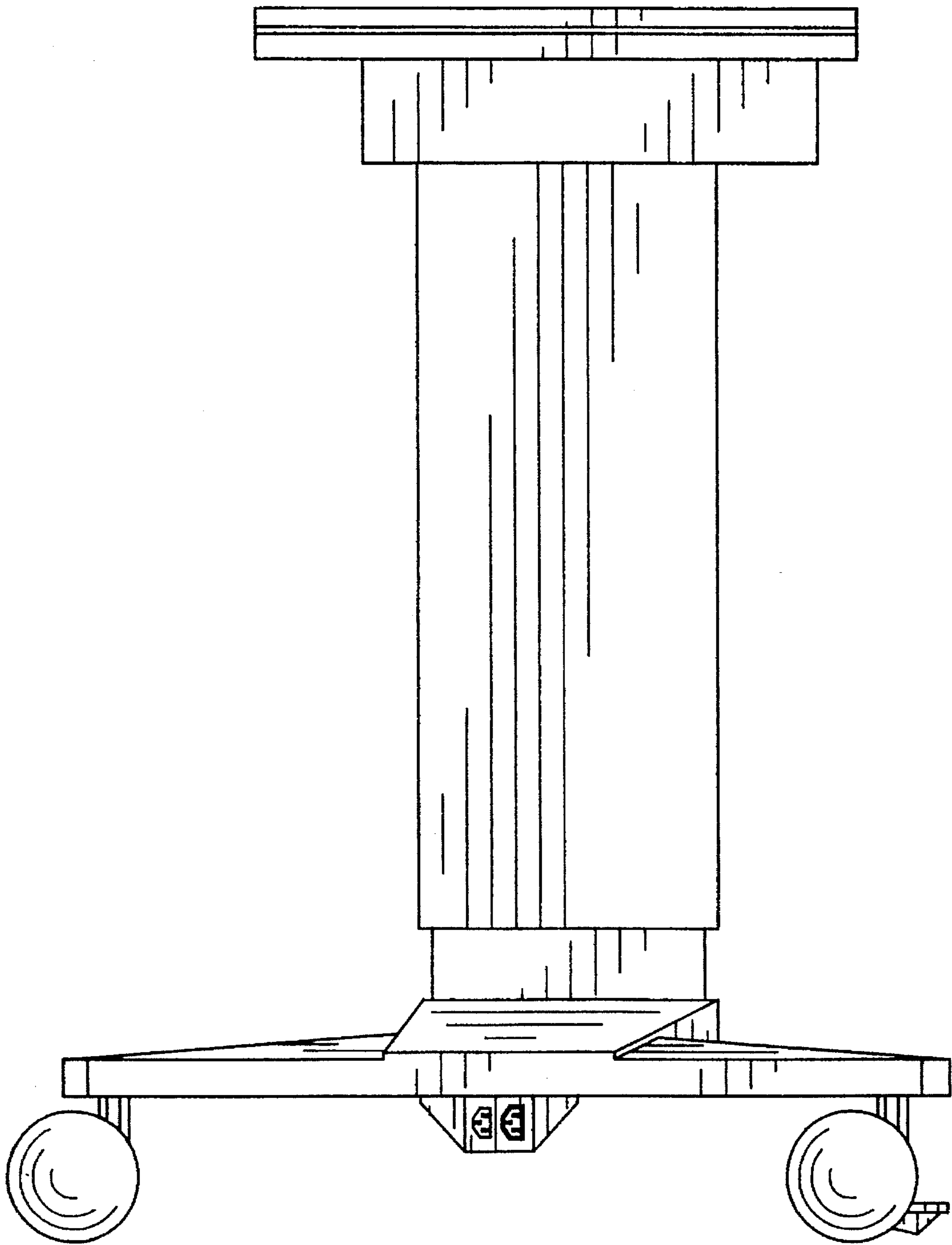


FIG. 5

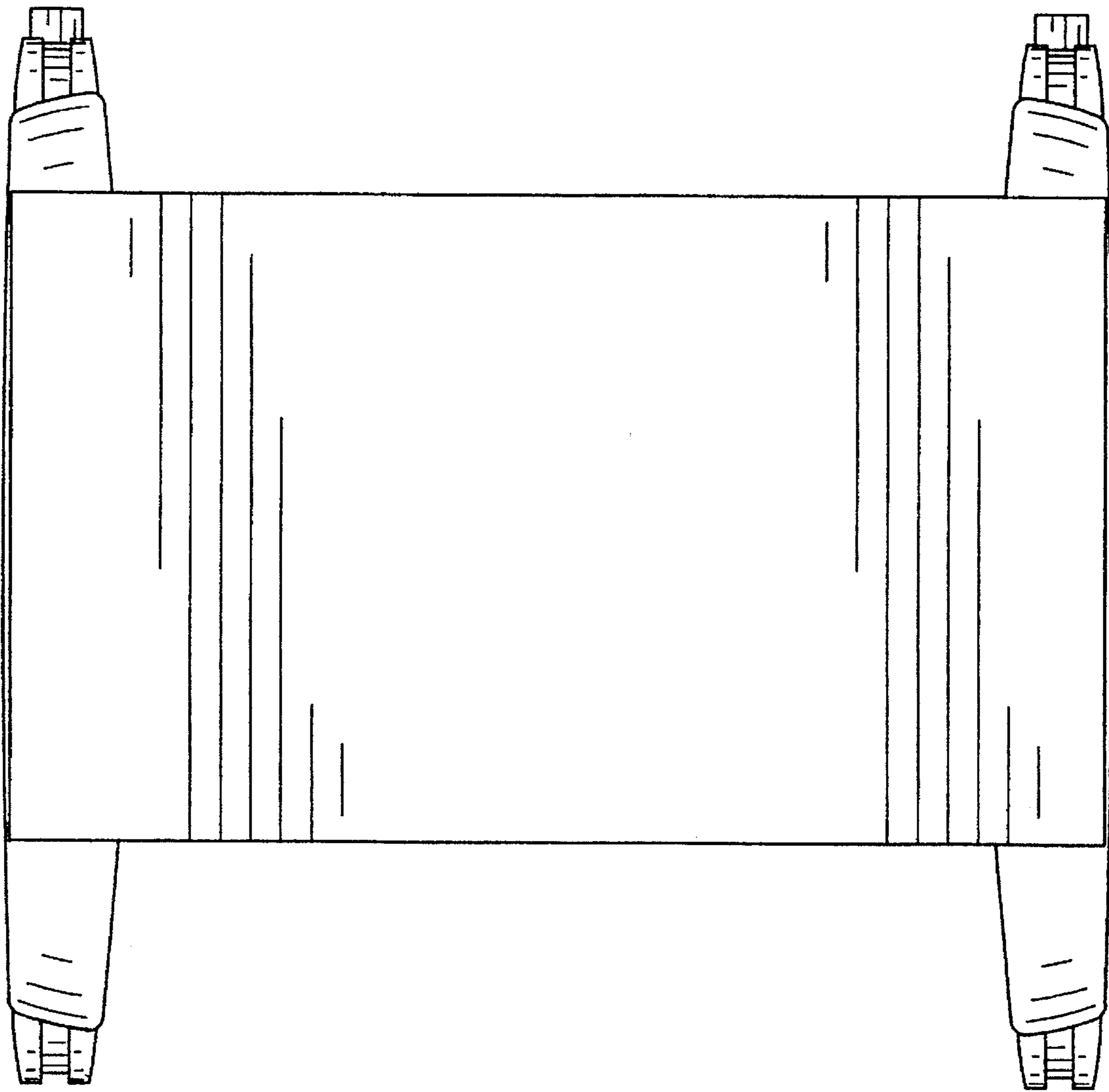


FIG. 6

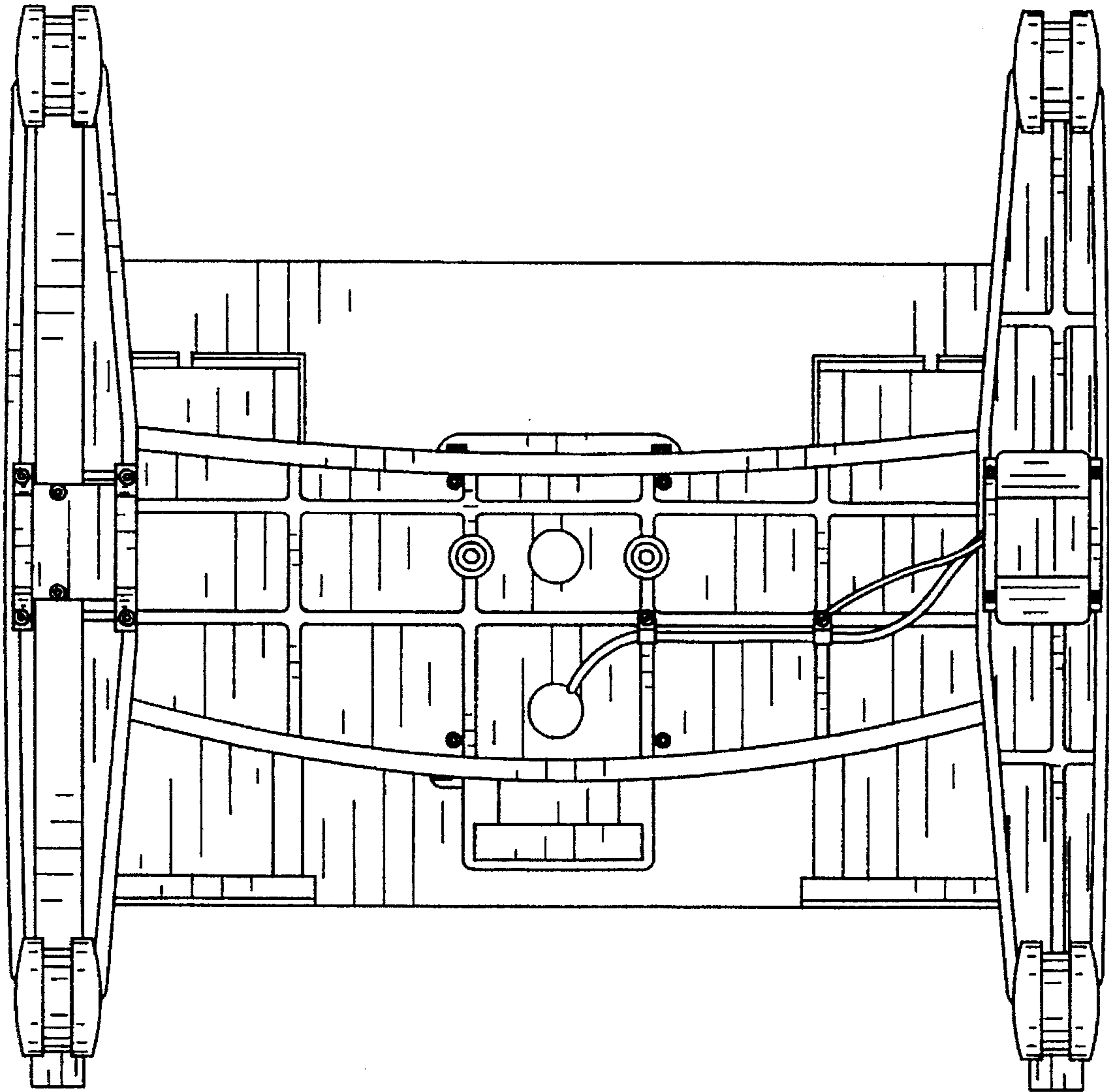


FIG. 7