



US00D378634S

United States Patent [19]

[11] Patent Number: **Des. 378,634**

LaPere

[45] Date of Patent: ****Apr. 1, 1997**

[54] **PROTECTIVE CASE FOR A REMOTE CONTROLLER**

5,388,692 2/1995 Withrow et al. 206/305

OTHER PUBLICATIONS

[76] Inventor: **Roland E. LaPere**, 16867 Wells St., Lake Elsinore, Calif. 92530

Photographs of Small case Cited by applicant, on sale prior to conception of invention.

[**] Term: **14 Years**

Photographs of Aquadyne Case submitted by the applicant, on sale prior to conception of invention.

[21] Appl. No.: **44,318**

Primary Examiner—Philip S. Hyder

[22] Filed: **Sep. 22, 1995**

Attorney, Agent, or Firm—Ronald M. Goldman

[52] U.S. Cl. **D3/273; D3/269**

[57] CLAIM

[58] Field of Search D3/273, 299, 269; D14/218; D9/415, 418; 206/305, 523, 320, 471, 470

The ornamental design for a protective case for a remote controller, as shown and described.

DESCRIPTION

[56] References Cited

FIG. 1 is a perspective view of the protective case, showing the new design;

U.S. PATENT DOCUMENTS

D. 305,000	12/1989	Hernandez	D9/415
4,260,057	4/1981	Wall-Andersen	206/379
4,739,897	4/1988	Butler	206/576
4,762,227	8/1988	Patterson	206/305
4,836,256	6/1989	Meliconi	206/305
5,265,720	11/1993	Meliconi	206/523
5,316,141	5/1994	Jalomo	206/305
5,388,691	2/1995	White	206/305

FIG. 2 is a top plan view thereof;

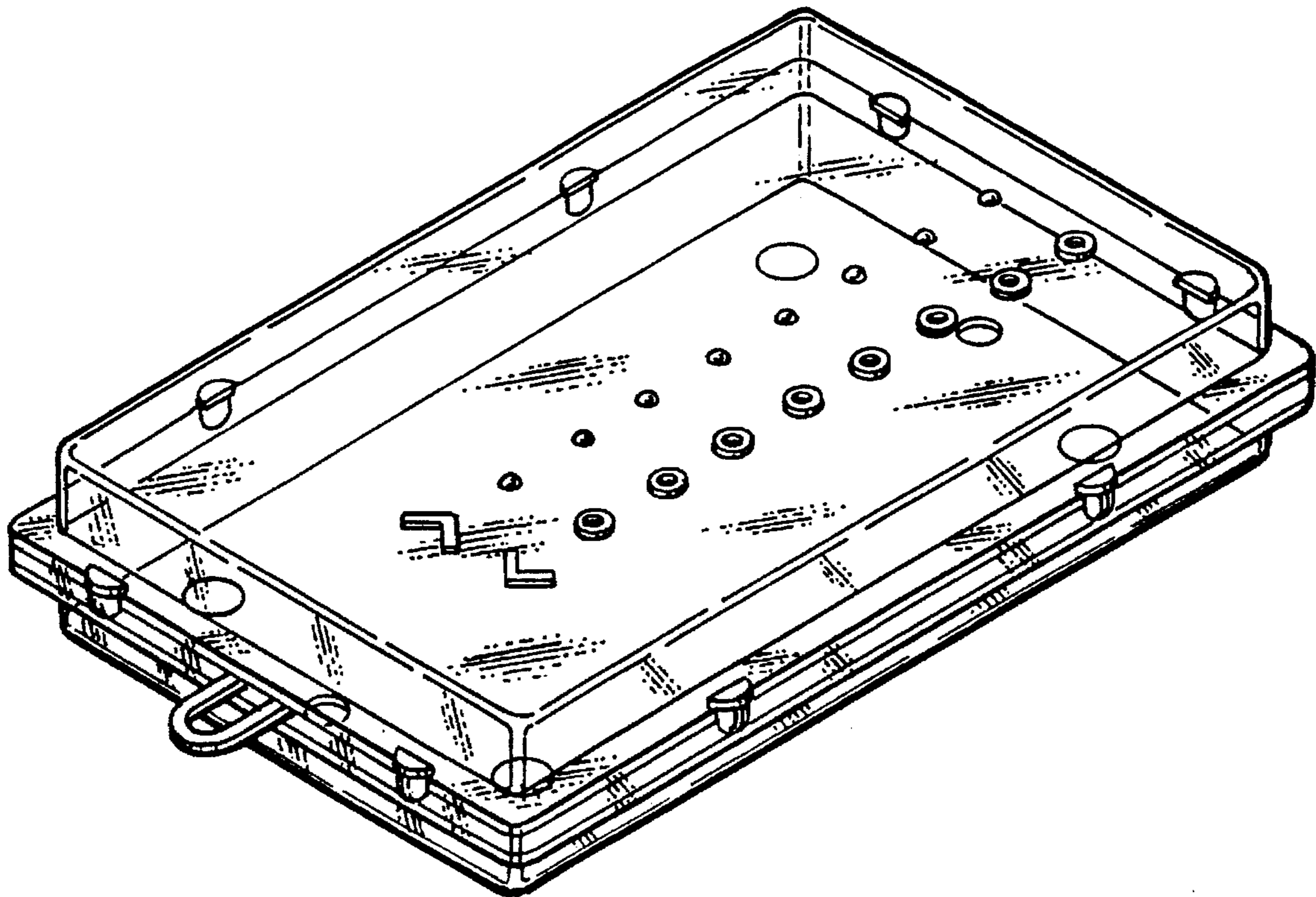
FIG. 3 is a right side view thereof, the left side being a mirror image thereof;

FIG. 4 is a bottom view thereof;

FIG. 5 is a front elevational view thereof; and,

FIG. 6 is a rear elevational view thereof.

1 Claim, 1 Drawing Sheet



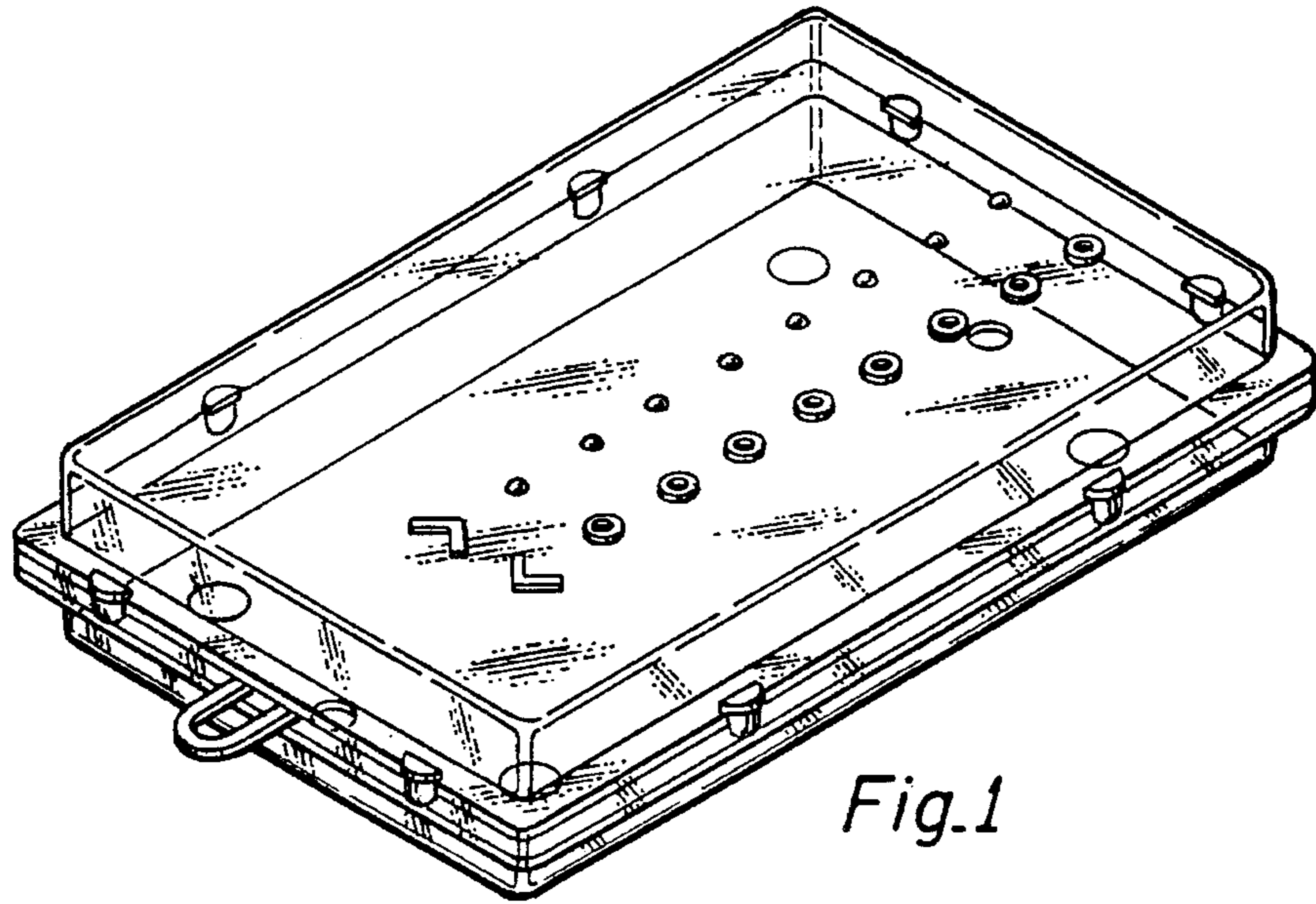


Fig. 1

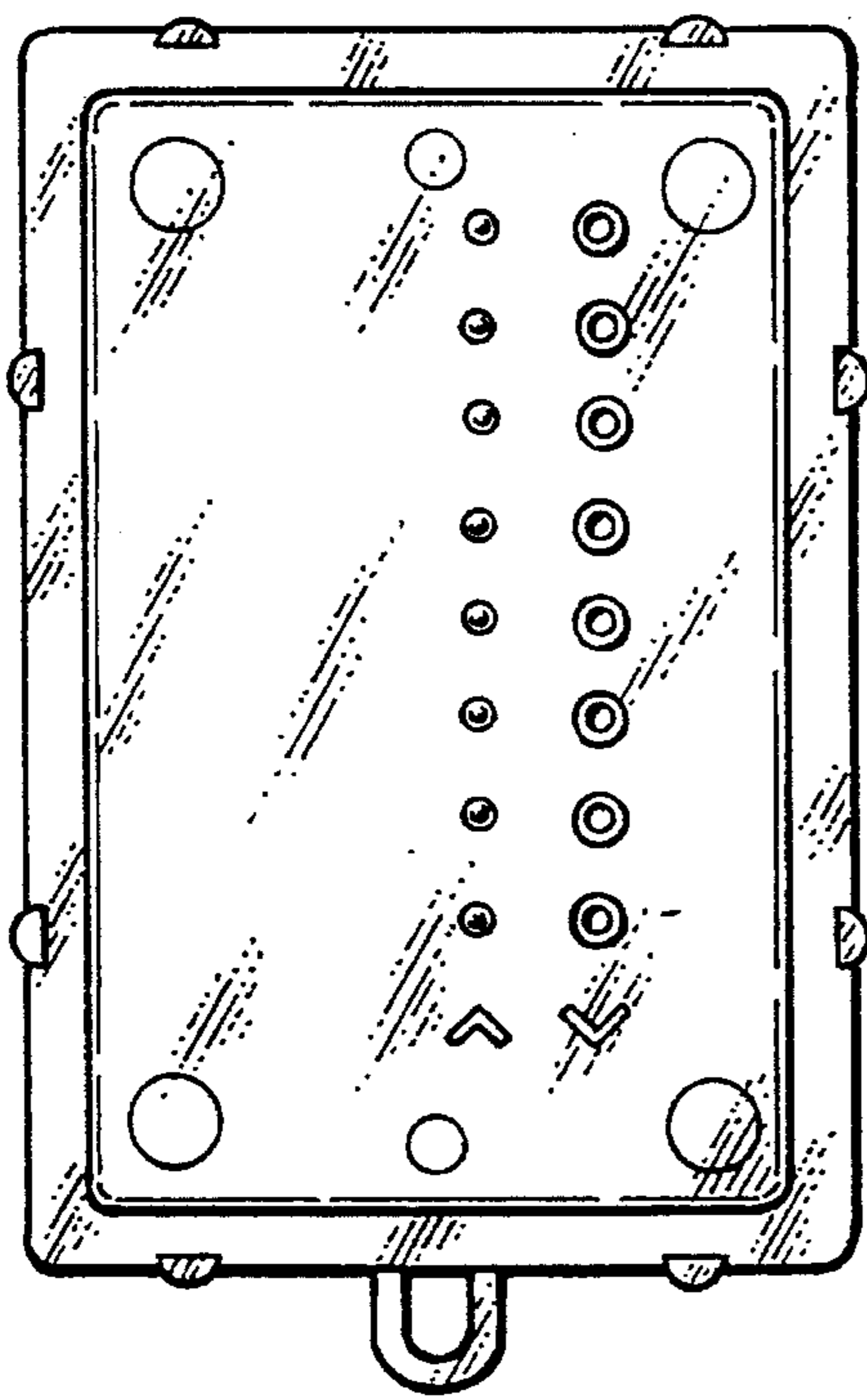


Fig. 2

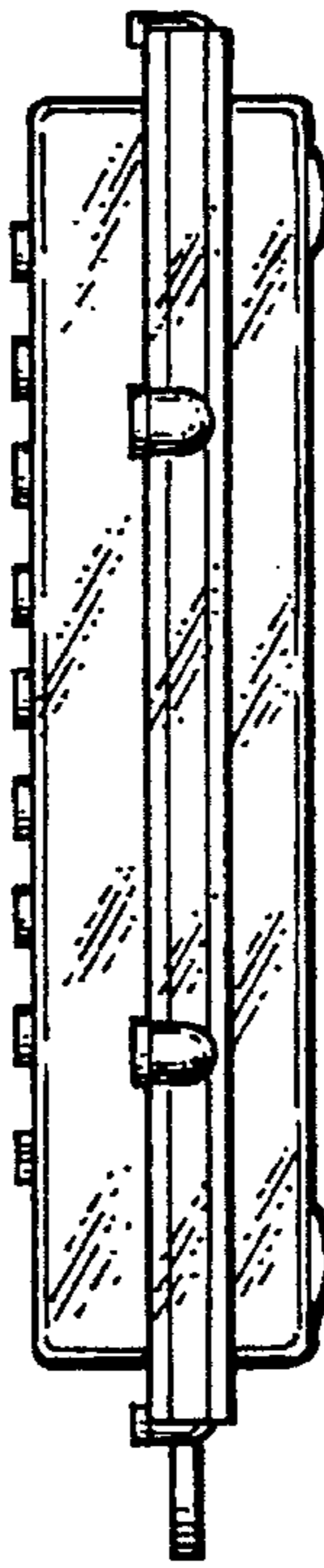


Fig. 3

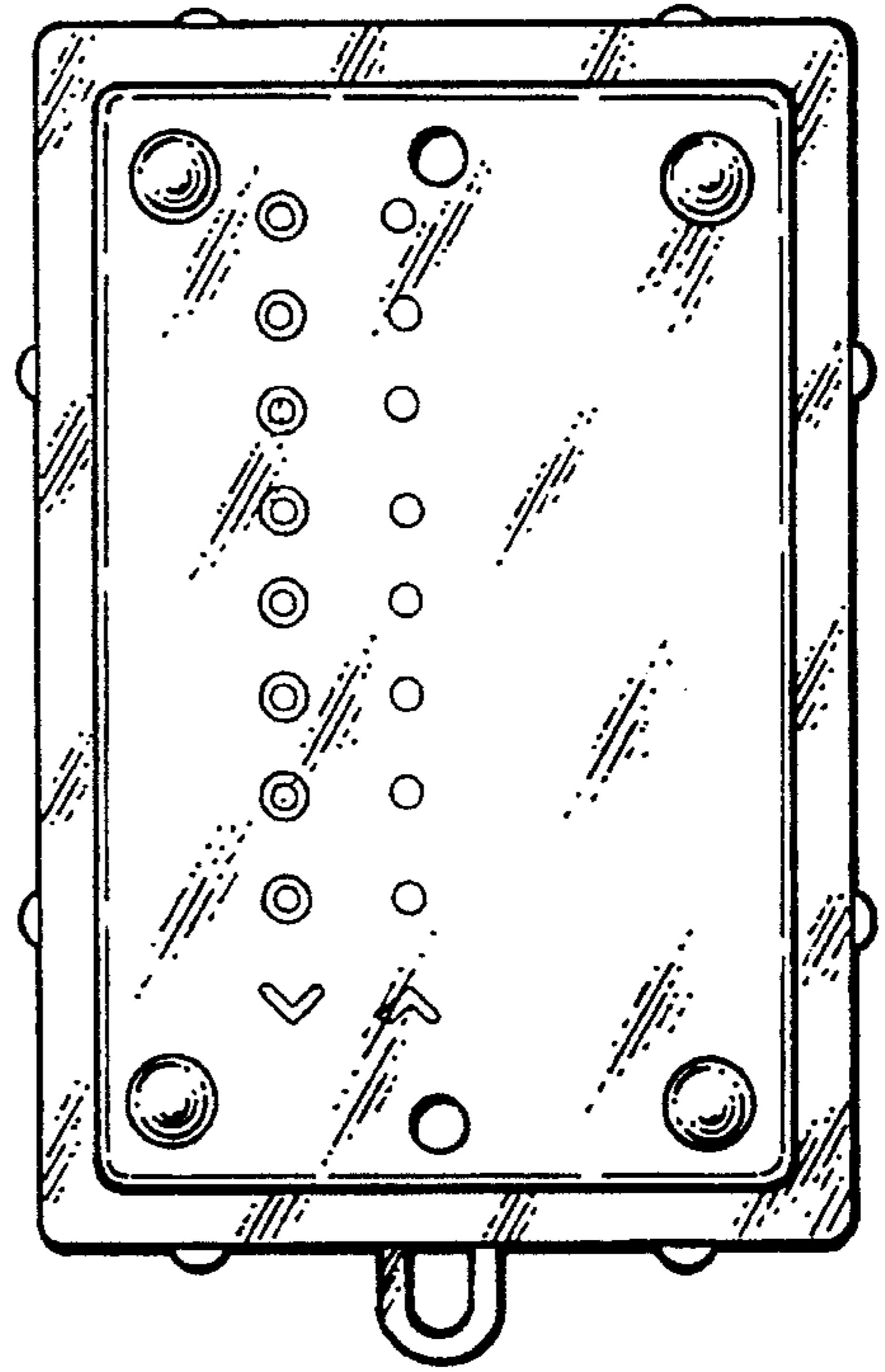


Fig. 4

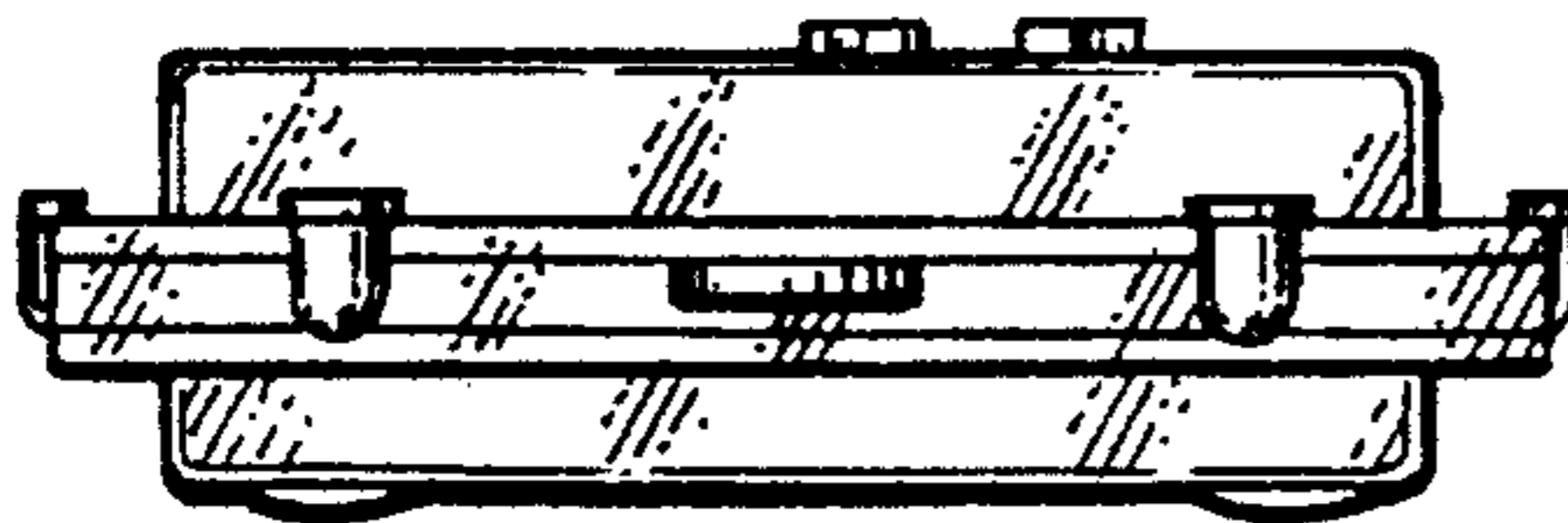


Fig. 5

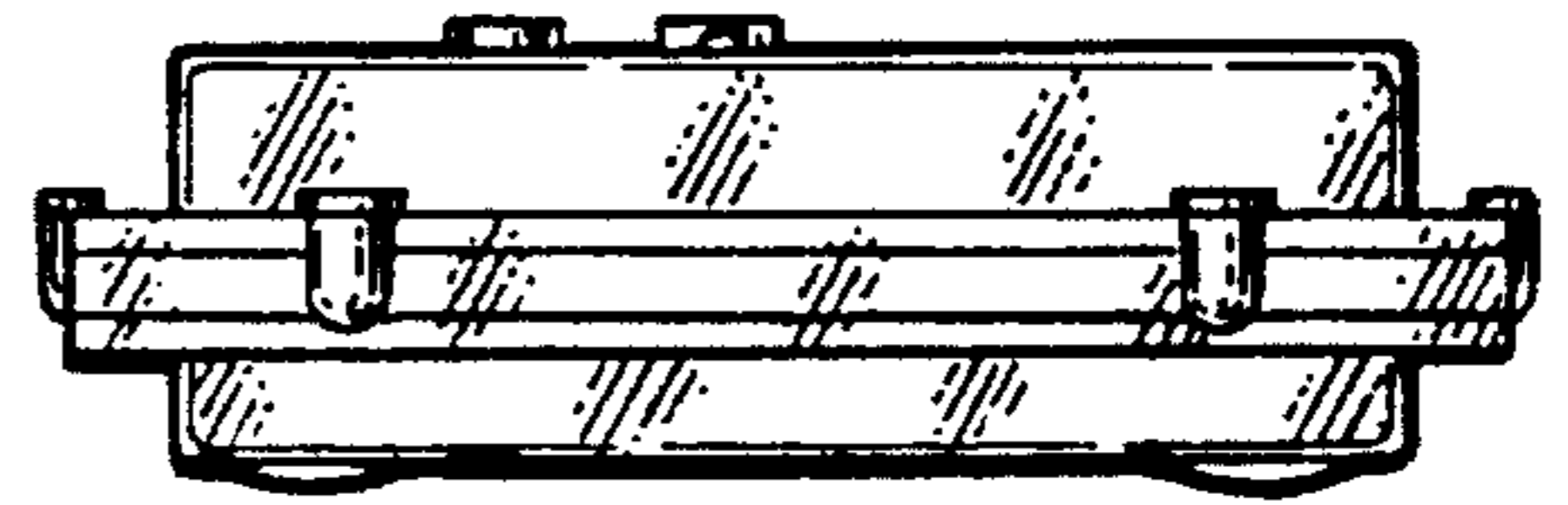


Fig. 6