



US00D378619S

United States Patent [19]

[11] Patent Number: **Des. 378,619**

Ng

[45] Date of Patent: ****Mar. 25, 1997**

[54] LAMP FOR BOOSTER CABLE

Primary Examiner—Marcus A. Jackson
Attorney, Agent, or Firm—Kenneth M. Garrett

[75] Inventor: **Samuel K-H. Ng**, Toronto, Canada

[57] **CLAIM**

[73] Assignee: **Noma Inc.**, Scarborough, Canada

The ornamental design for a lamp for booster cable, as shown and described.

[**] Term: **14 Years**

DESCRIPTION

[21] Appl. No.: **44,971**

FIG. 1 is a top, front right perspective view of a lamp for a booster cable showing my new design;

[22] Filed: **Oct. 4, 1995**

[52] U.S. Cl. **D26/38**

FIG. 2 is a top plan view thereof; the bottom plan view being substantially identical thereto;

[58] Field of Search D26/28-50; D13/120;
439/503, 504, 505, 506; 362/61, 80, 82,
83

FIG. 3 is a right side elevation thereof; the left side elevation being a mirror image thereof;

[56] **References Cited**

U.S. PATENT DOCUMENTS

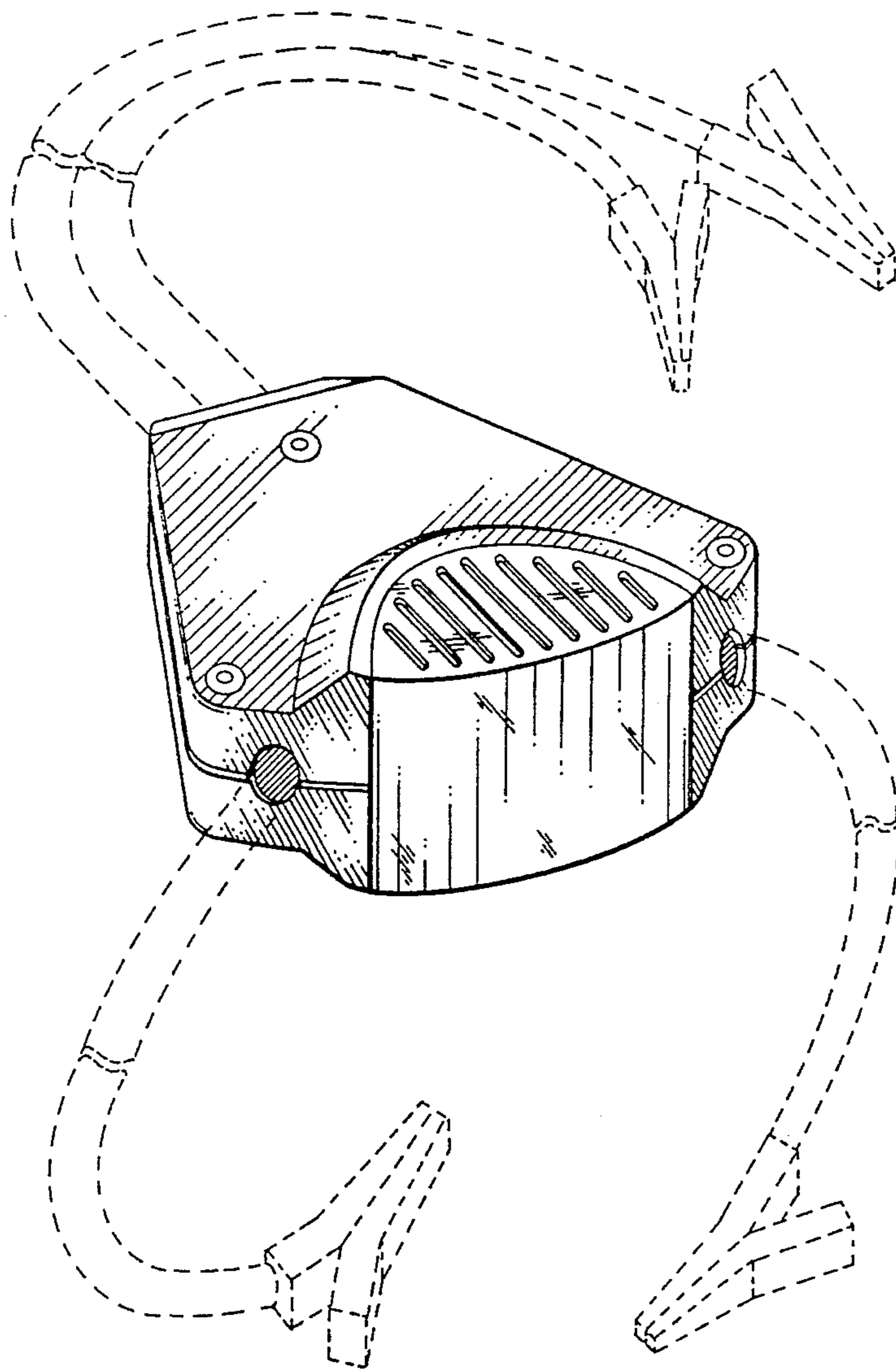
D. 240,449	7/1976	Livingston	D26/37
D. 294,973	3/1988	Bowman	D26/28
D. 346,149	4/1994	Deering	D26/38
4,897,044	1/1990	Rood	439/504

FIG. 4 is a front elevation thereof; and,

FIG. 5 is a rear elevation thereof.

Surrounding structure not forming a part of my design being shown in dashed outline.

1 Claim, 3 Drawing Sheets



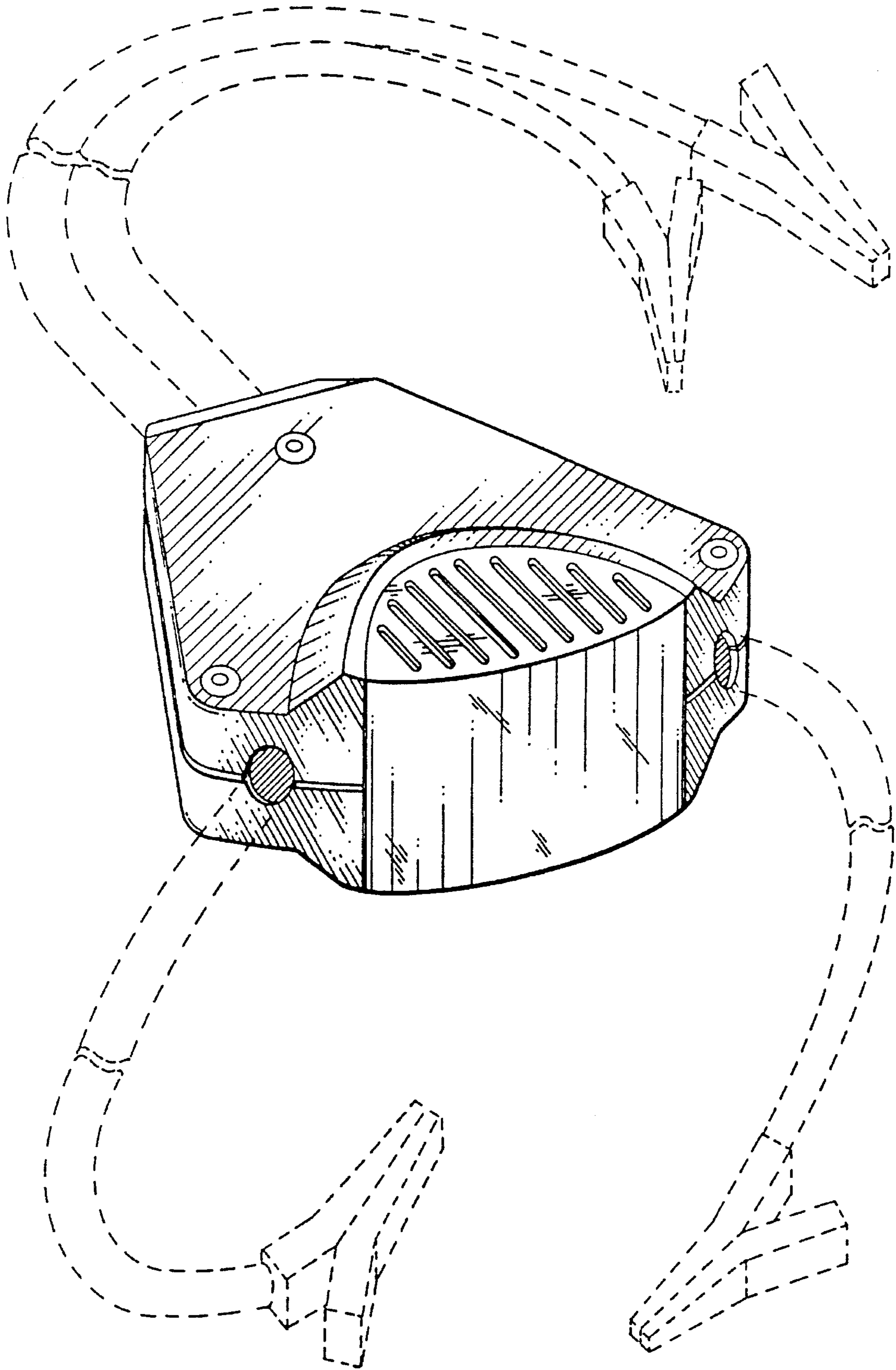


FIG. 1

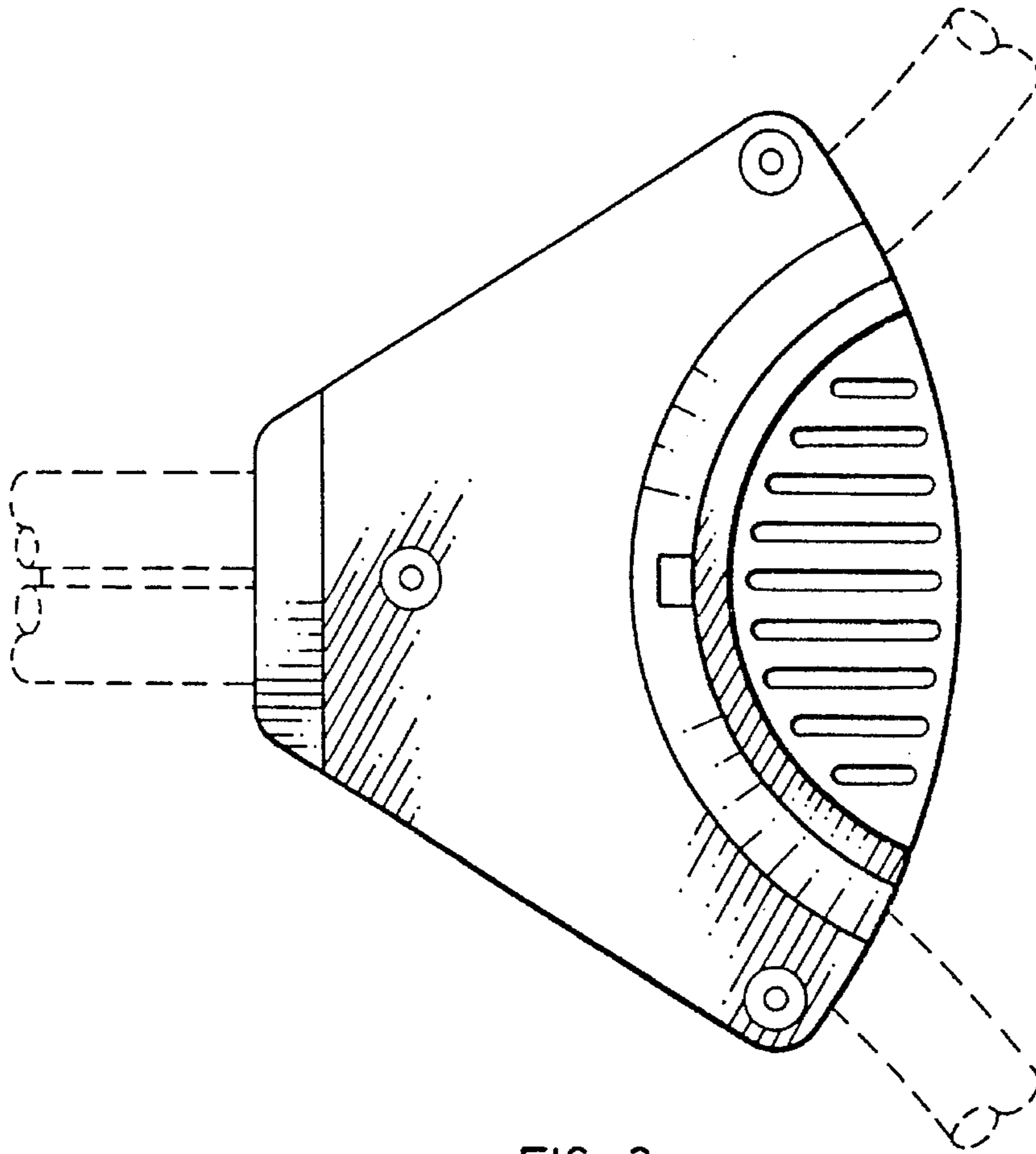


FIG. 2

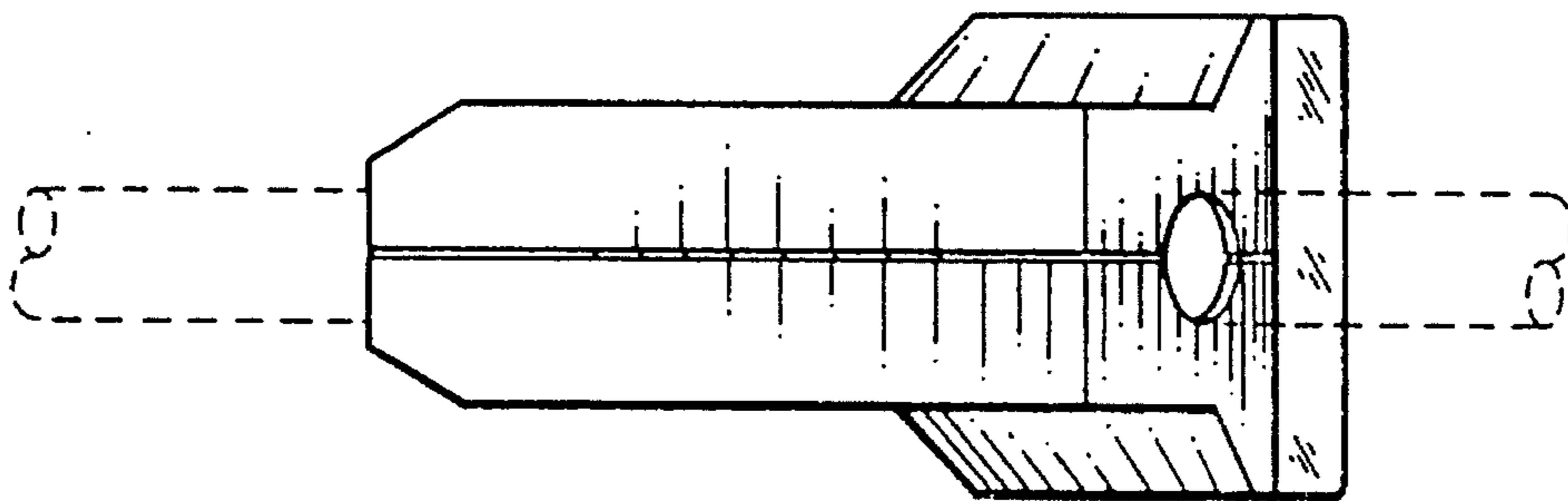


FIG. 3

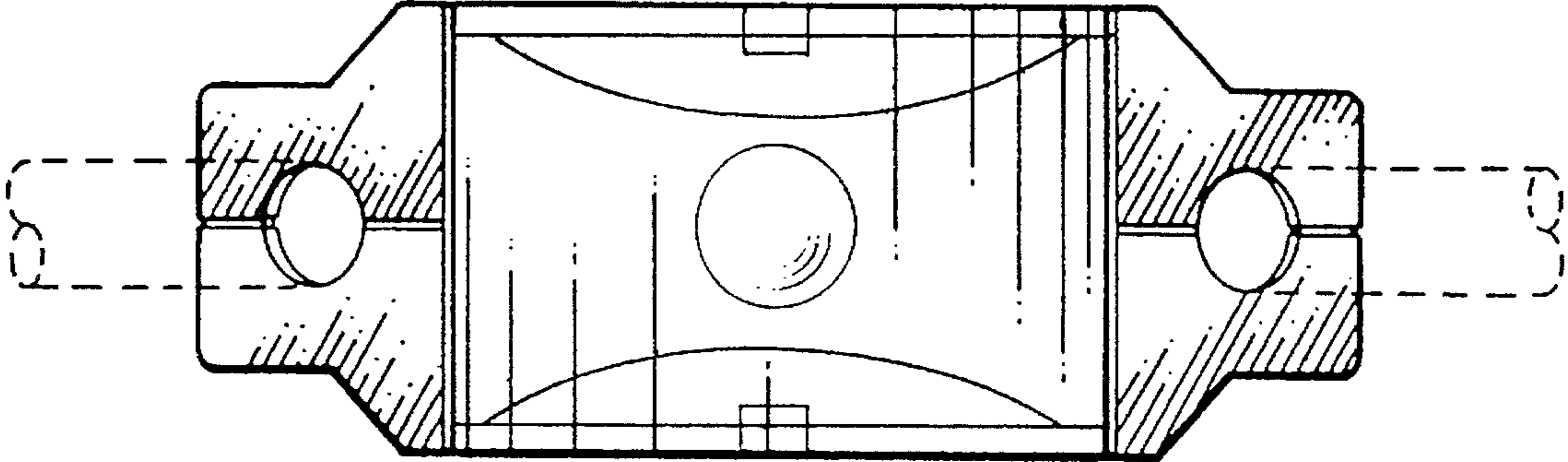


FIG. 4

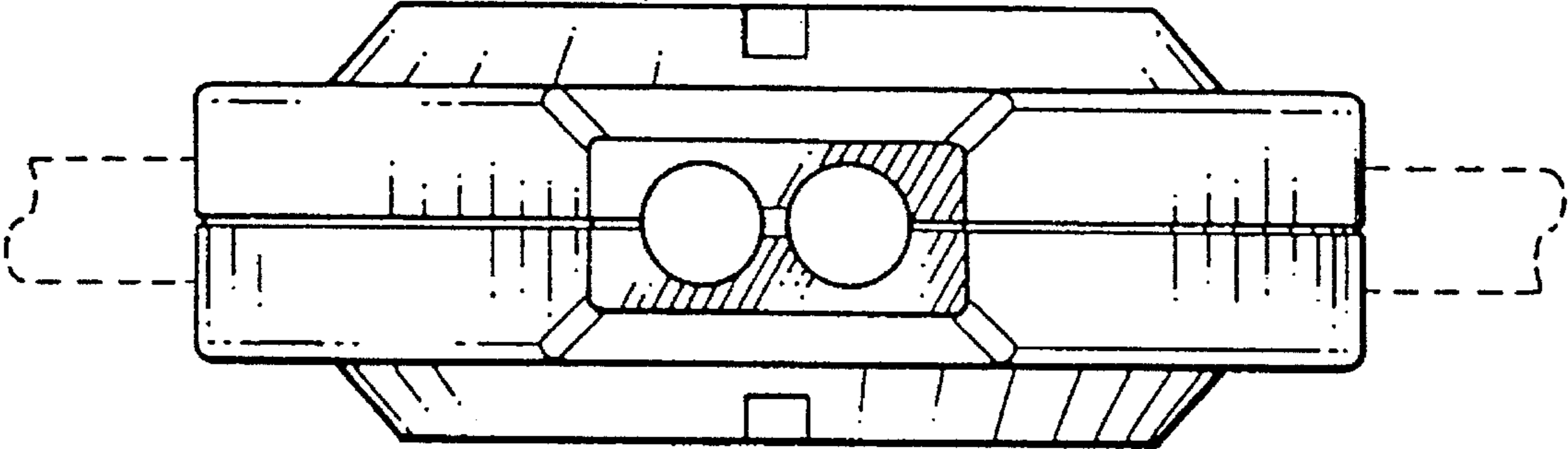


FIG. 5