



US00D378617S

United States Patent [19]

[11] Patent Number: **Des. 378,617**

Yuen

[45] Date of Patent: ****Mar. 25, 1997**

[54] **3 IN 1 RECHARGEABLE NIGHT LIGHT WITH POWER FAILURE LIGHT AND SPOTLIGHT**

D. 326,923 6/1992 Yuen D26/26
D. 350,407 9/1994 Yuen D26/26
3,061,716 10/1962 Benander 362/226

[75] Inventor: **Se K. Yuen**, Kowloon, Hong Kong

Primary Examiner—Susan J. Lucas
Attorney, Agent, or Firm—Merchant, Gould, Smith, Edell, Welter & Schmidt, P.A.

[73] Assignee: **John Manufacturing Limited**,
Kowloon, Hong Kong

[**] Term: **14 Years**

[57] CLAIM

[21] Appl. No.: **48,591**

The ornamental design for a 3 in 1 rechargeable night light with power failure light and spotlight, as shown.

[22] Filed: **Jan. 4, 1996**

DESCRIPTION

[30] Foreign Application Priority Data

Oct. 18, 1995 [GB] United Kingdom 2051292
[52] U.S. Cl. **D26/26; D26/37; D26/85**
[58] Field of Search D26/72, 80-92,
D26/26, 37, 39, 118, 122; 362/226, 147,
432, 183

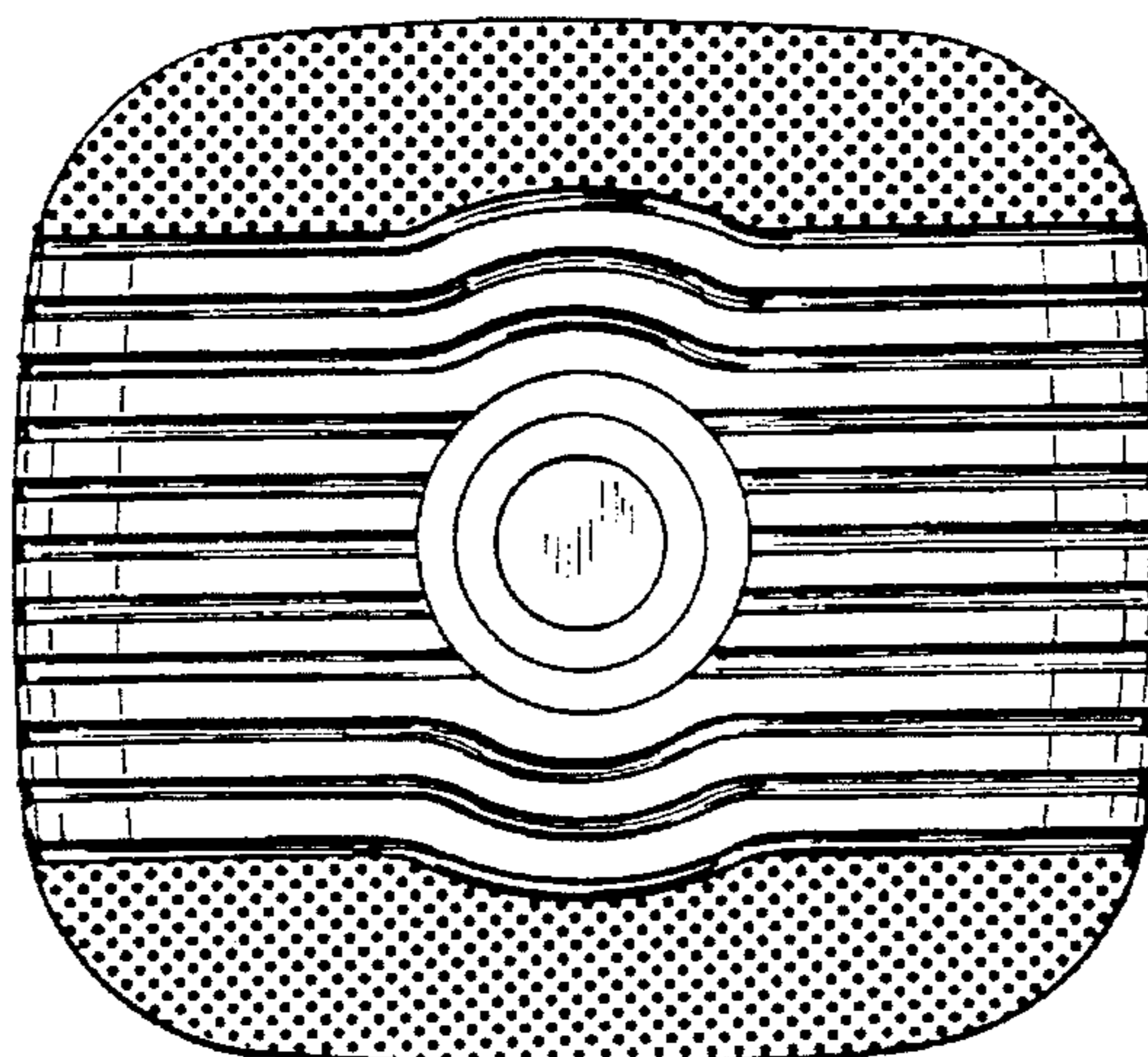
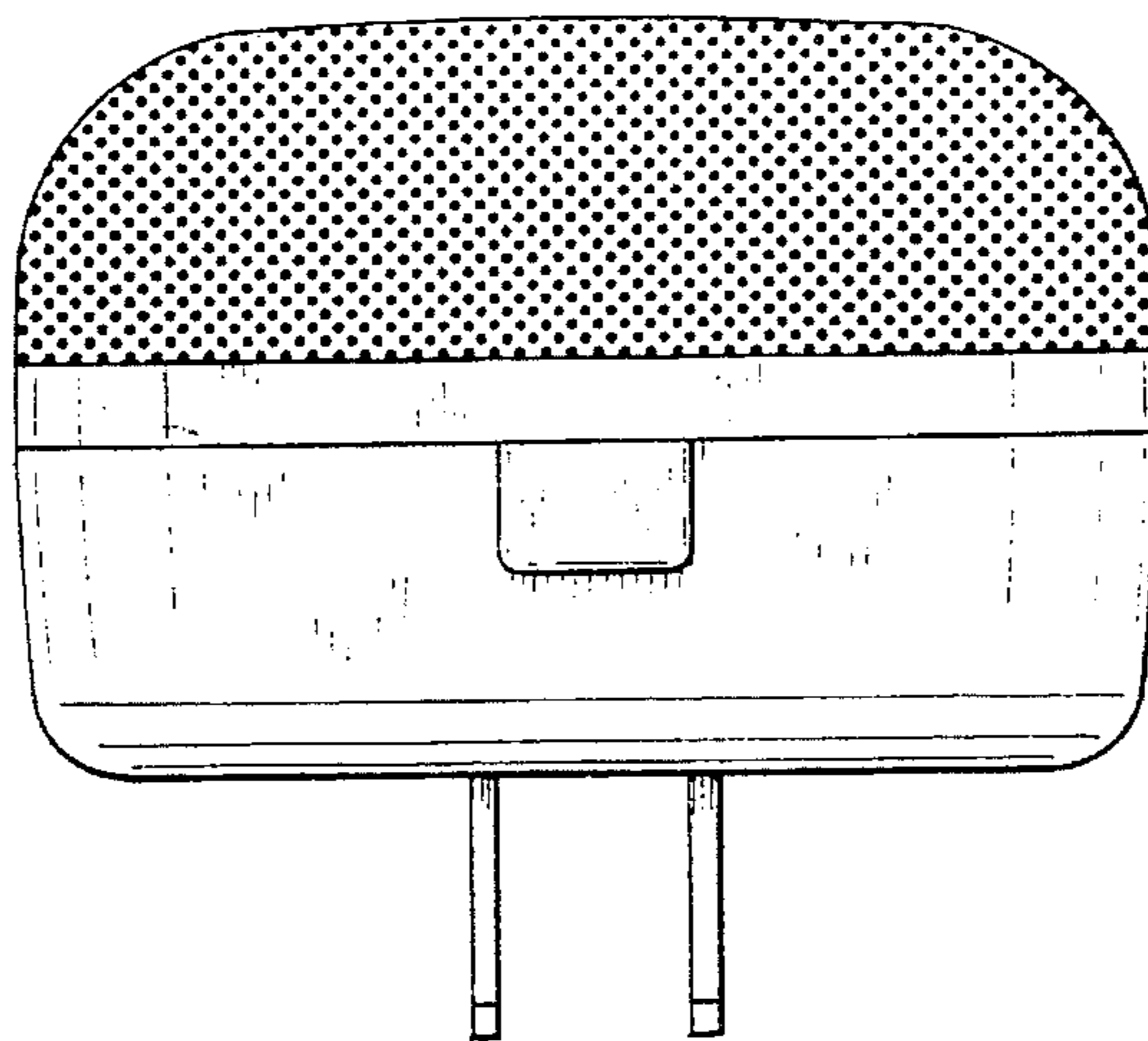
FIG. 1 is a top plan view thereof;
FIG. 2 is a bottom plan view thereof;
FIG. 3 is a front elevational view thereof;
FIG. 4 is a right side elevational view thereof;
FIG. 5 is a left side elevational view thereof; and,
FIG. 6 is a rear elevational view thereof.

[56] References Cited

U.S. PATENT DOCUMENTS

D. 315,216 3/1991 Kelley et al. D26/72 X

1 Claim, 2 Drawing Sheets



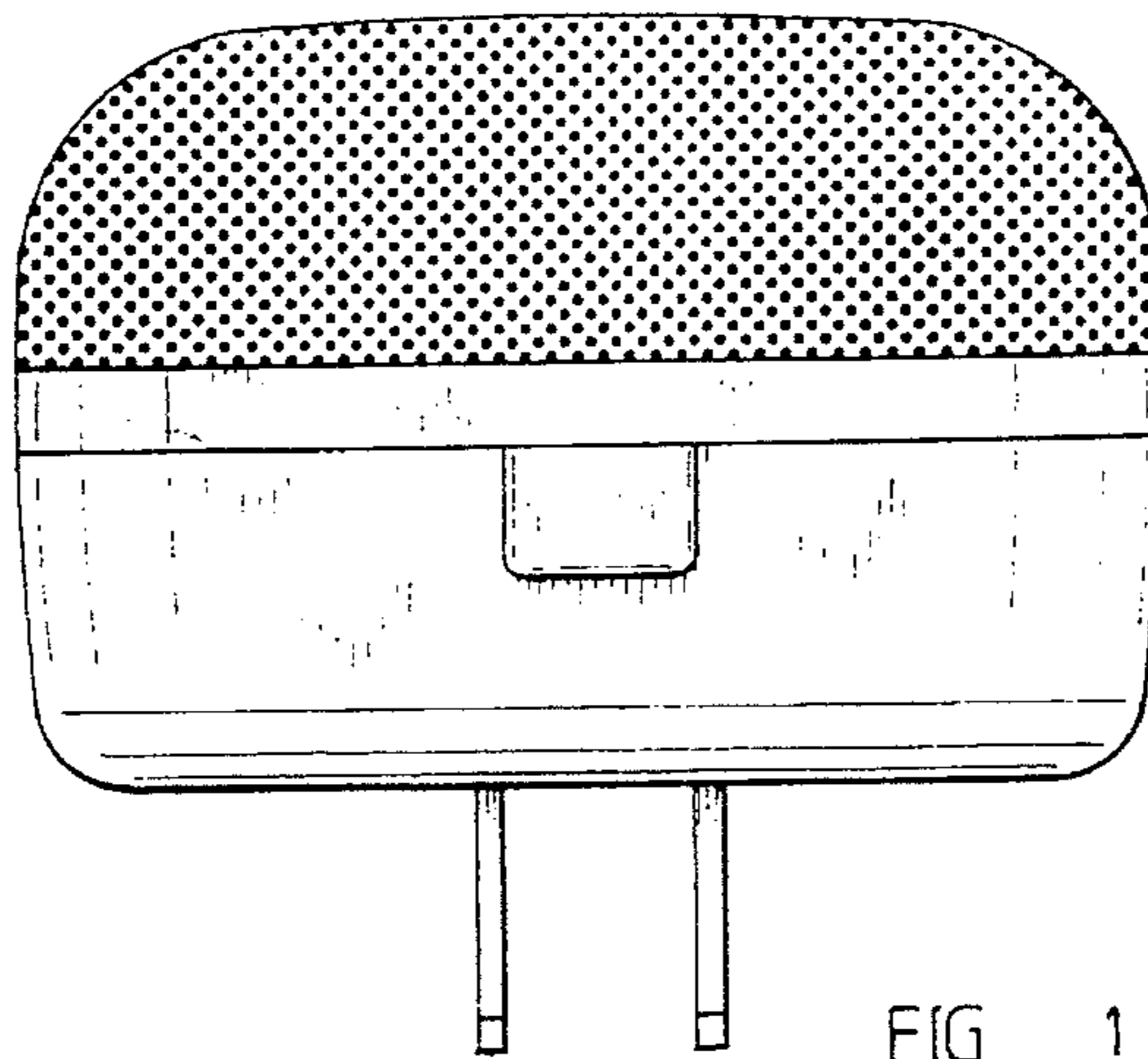


FIG 1

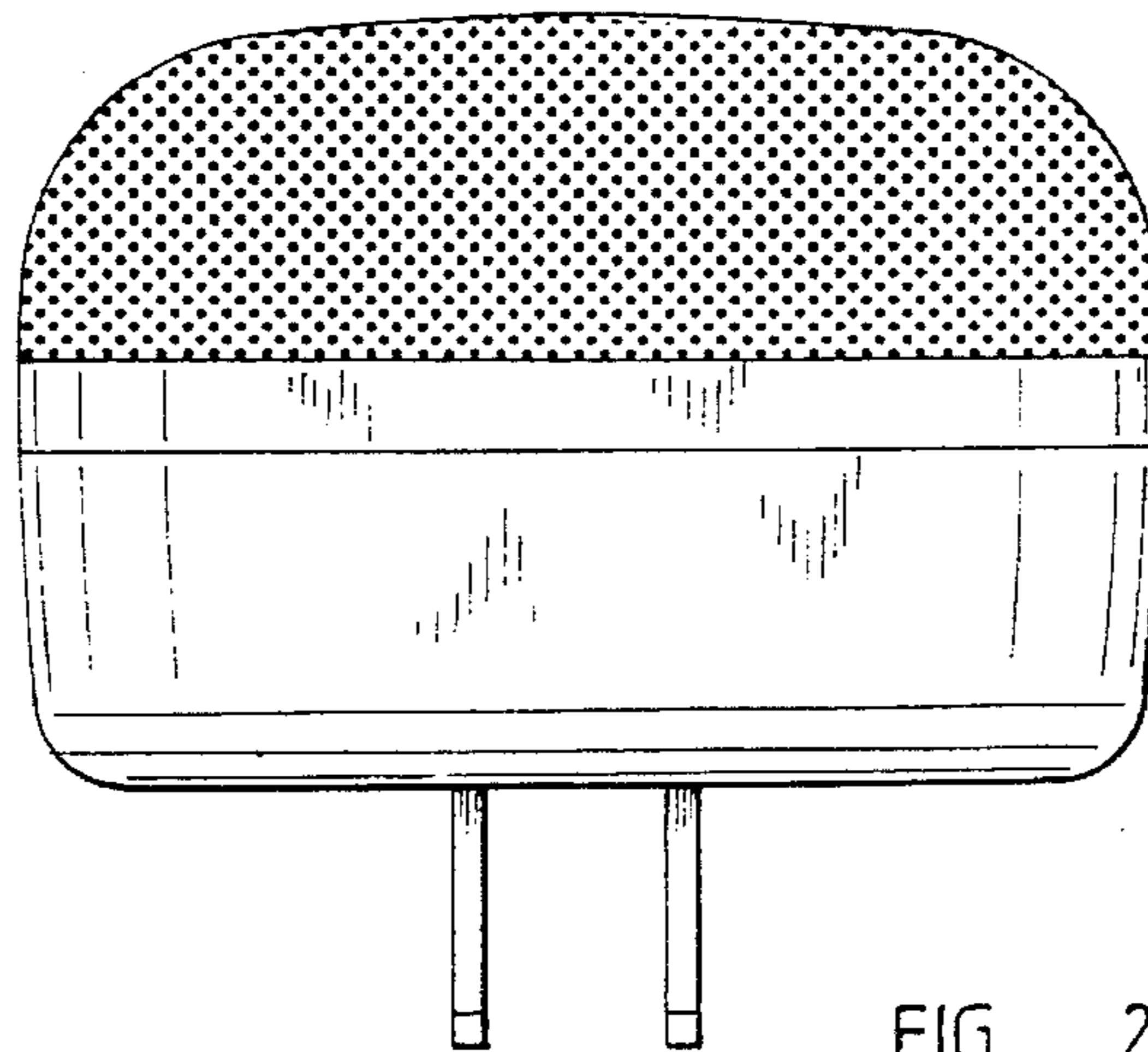


FIG 2

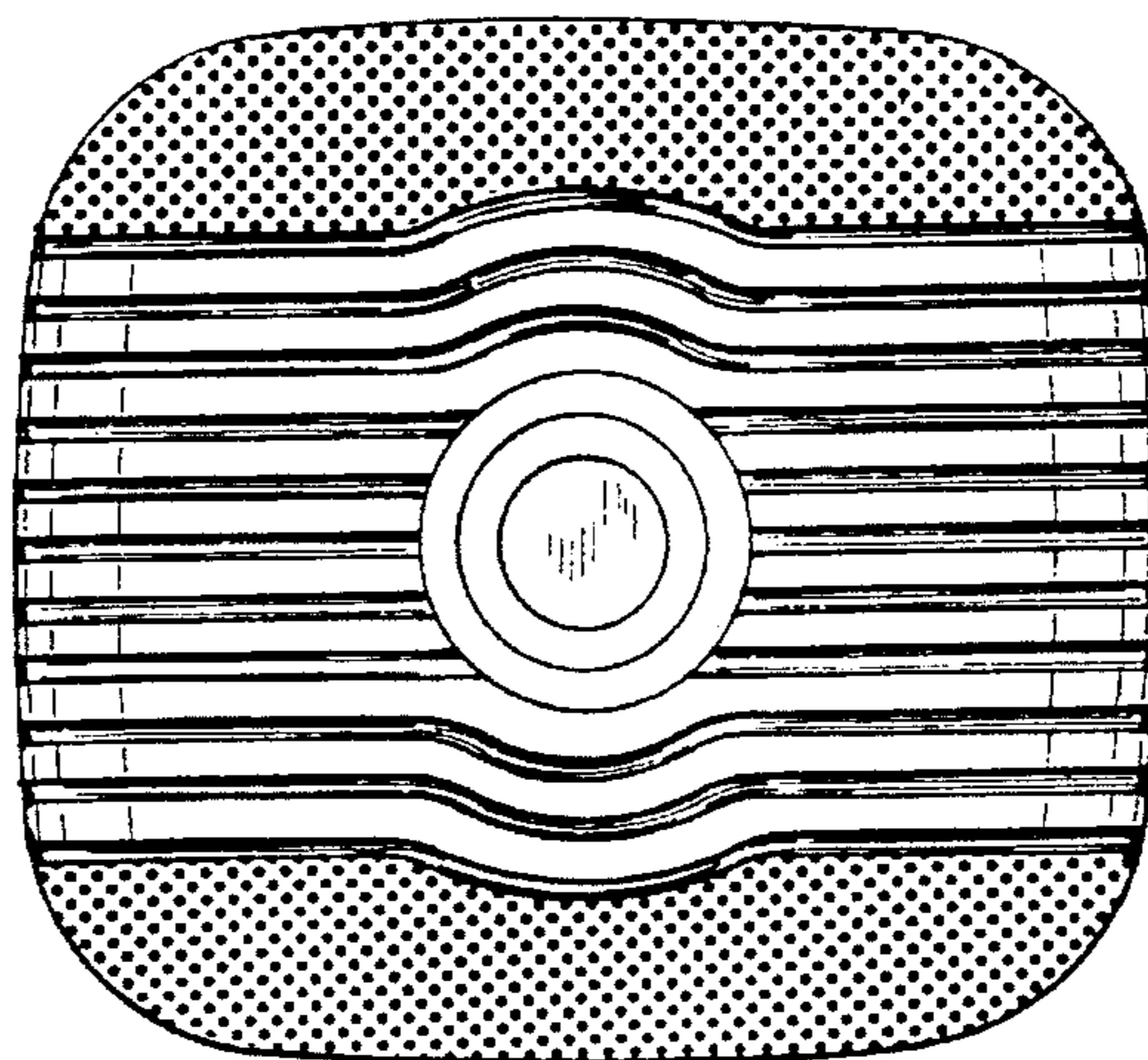


FIG 3

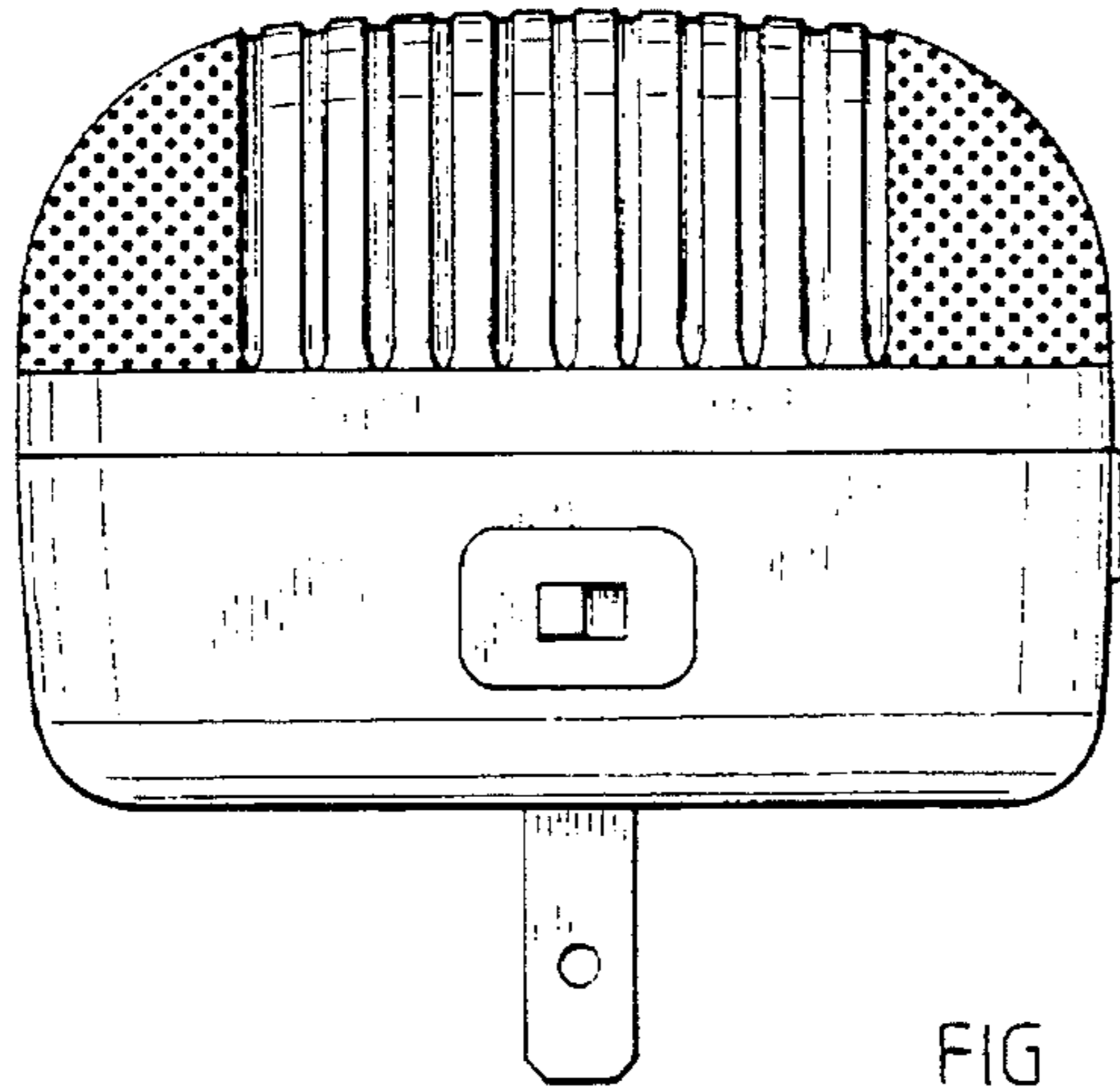


FIG 4

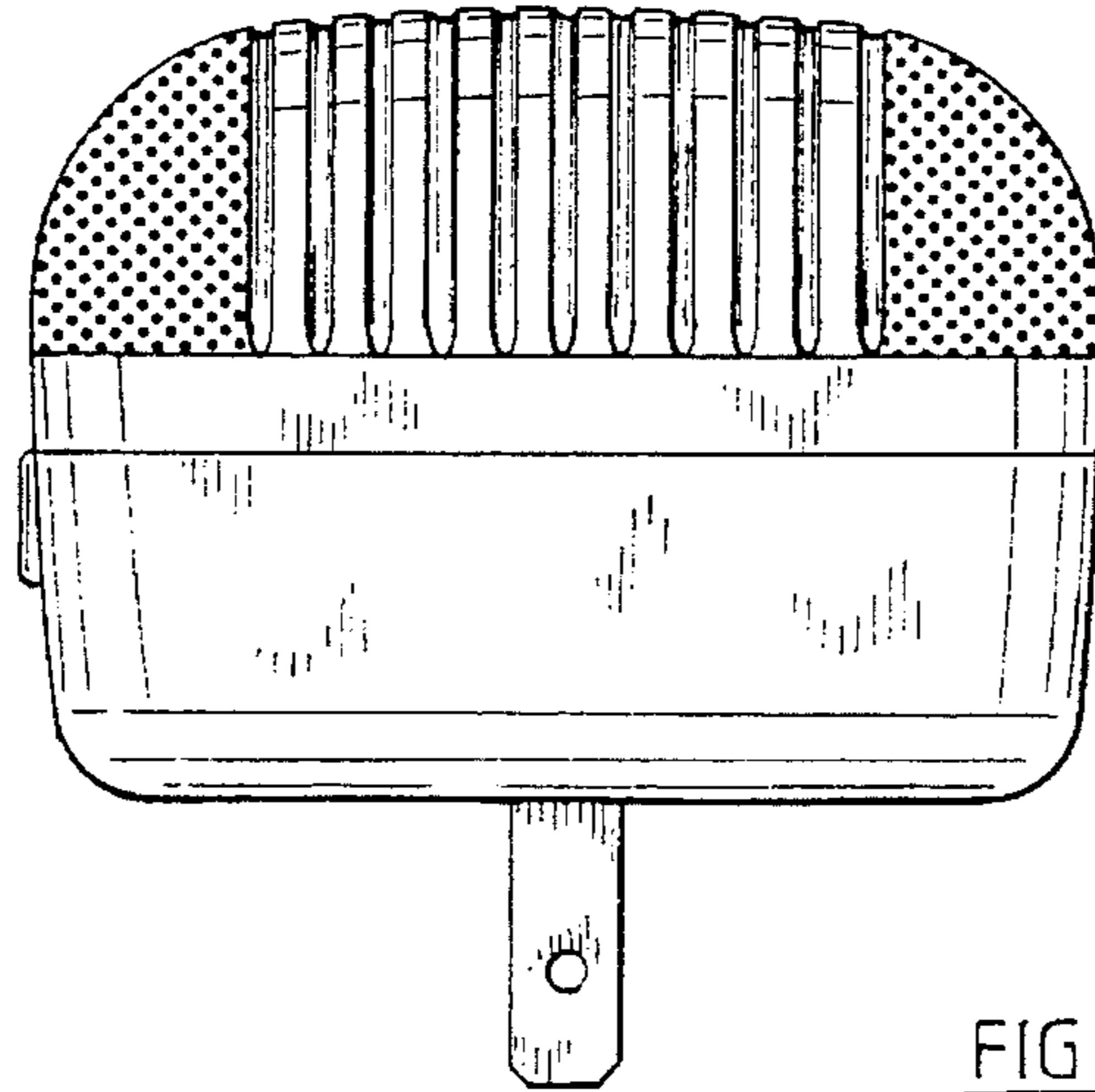


FIG 5

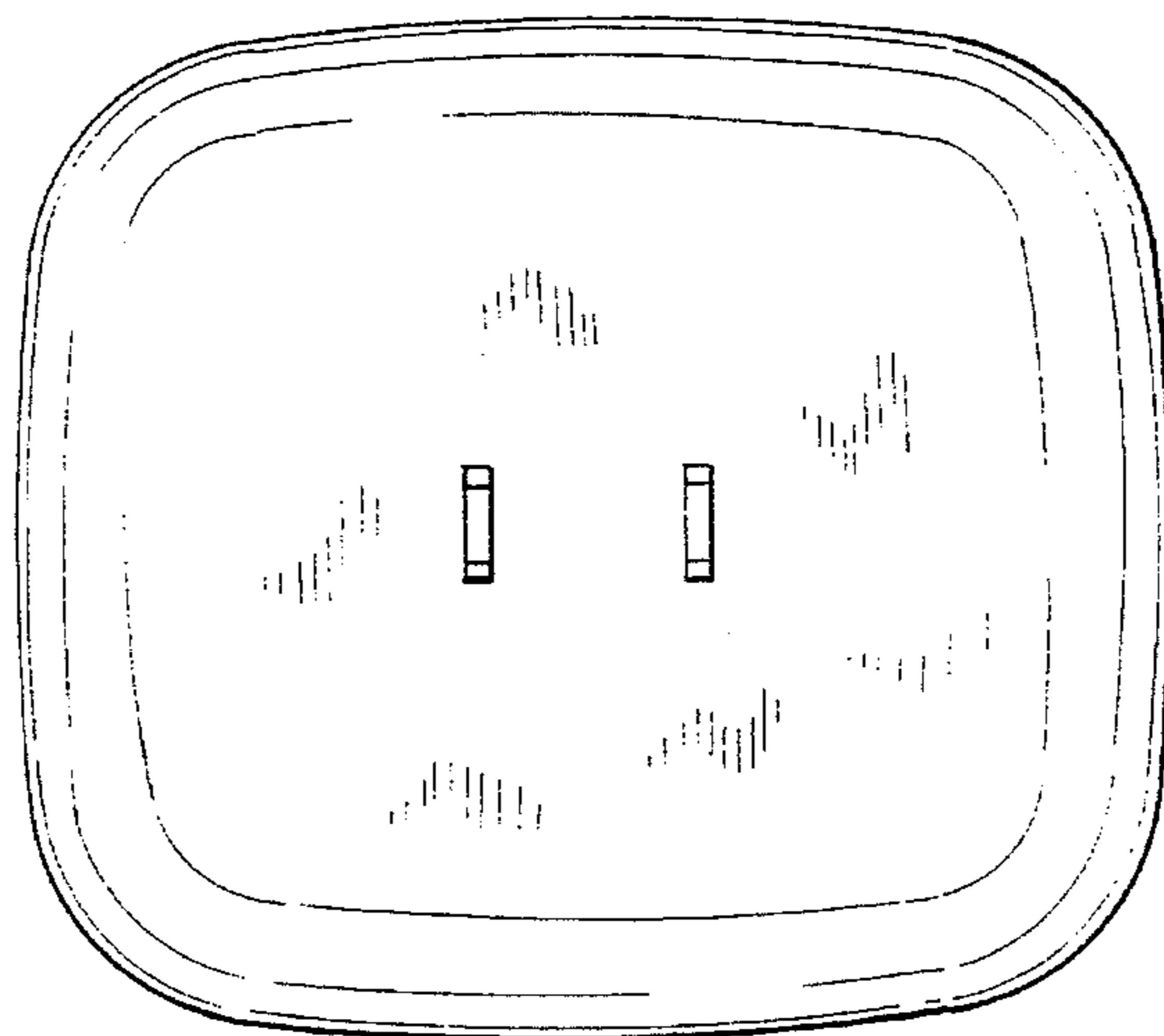


FIG 6