



US00D378615S

United States Patent [19]

Neviasser et al.

[11] Patent Number: **Des. 378,615**

[45] Date of Patent: ****Mar. 25, 1997**

[54] **INFANT SLEEPING POSITION RESTRAINT**

[76] Inventors: **Thomas J. Neviasser; Lynn W. Neviasser**, both of 10135 Wendover Dr., Vienna, Va. 22181; **Moirira A. Bennett**, 46546 Woodhaven Ct., Sterling, Va. 20165

[**] Term: **14 Years**

[21] Appl. No.: **3,451**

[22] Filed: **Dec. 31, 1992**

[52] U.S. Cl. **D24/190; D24/191; D29/100**

[58] Field of Search **D29/10-11; D24/190, D24/191; 602/5, 6, 17-19; 128/871; 5/648, 650, 655**

[56] **References Cited**

U.S. PATENT DOCUMENTS

D. 263,640	4/1982	Nandorf	D29/11
264,678	9/1882	Farrar	128/871
D. 274,264	6/1984	Andersson	D24/190
D. 287,406	12/1986	Dixon	D24/190
D. 298,969	12/1988	Pryor	D24/190
D. 332,663	1/1993	Liszewski	D24/190
D. 333,193	2/1993	Archambault	D29/10
D. 333,403	2/1993	Perrone	D24/191
D. 336,134	6/1993	Kalatsky	D24/190
D. 338,587	8/1993	Harnish	D24/190
786,722	4/1905	Breslin et al. .	
794,160	7/1905	Breslin et al. .	
876,491	1/1908	Rohwer	128/871
2,404,505	7/1946	Knecht .	
2,724,133	11/1955	Sorrell .	
3,485,241	12/1969	Polley	128/871

3,721,434	3/1973	Spies .	
3,924,282	12/1975	Bond .	
4,383,713	5/1983	Roston .	
4,392,489	7/1983	Wagner, Sr.	D24/190
4,441,221	4/1984	Enste et al. .	
4,481,942	11/1984	Duncan	D29/10
4,571,757	2/1986	Zolecki .	
4,733,836	3/1988	Barnes .	
4,762,958	6/1987	Garman .	
4,964,418	10/1990	Wilson	D24/191
5,016,650	5/1991	Marlar	D24/190
5,048,542	9/1991	Murray .	
5,165,130	11/1992	Wendling .	
5,193,238	3/1993	Clute .	

FOREIGN PATENT DOCUMENTS

162244	2/1949	Austria	128/871
1449012	7/1966	France .	
2249975	10/1972	Germany .	

Primary Examiner—Ruth McInroy

Attorney, Agent, or Firm—Fay, Sharpe, Beall, Fagan, Minnich & McKee

[57] **CLAIM**

The ornamental design for an infant sleeping position restraint, as shown and described.

DESCRIPTION

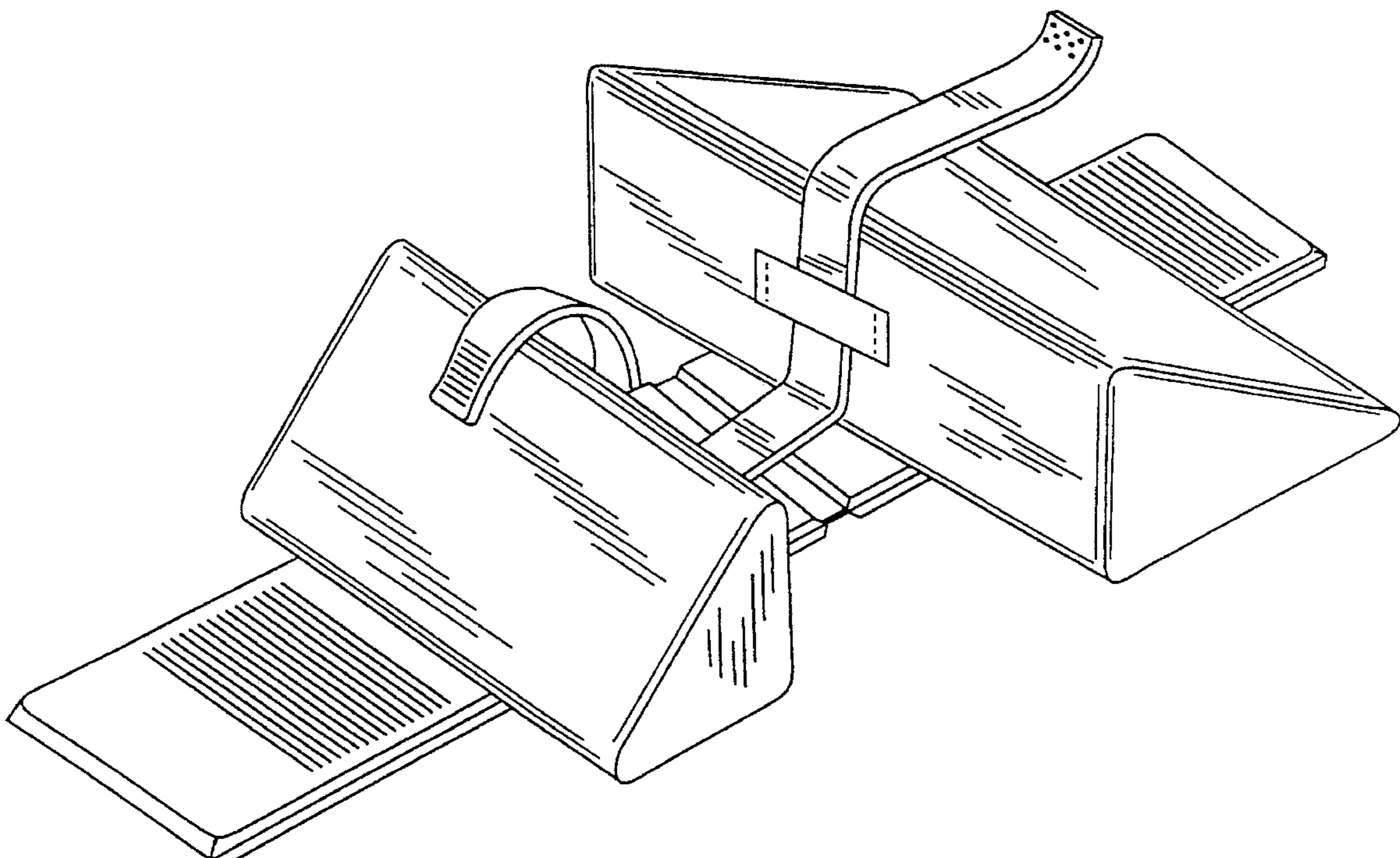
FIG. 1 is a perspective view of an infant sleeping position restraint, taken from the front and upper left side showing my new design;

FIG. 2 is a front elevational view thereof;

FIG. 3 is a top plan view thereof; and,

FIG. 4 is a bottom plan view thereof.

1 Claim, 2 Drawing Sheets



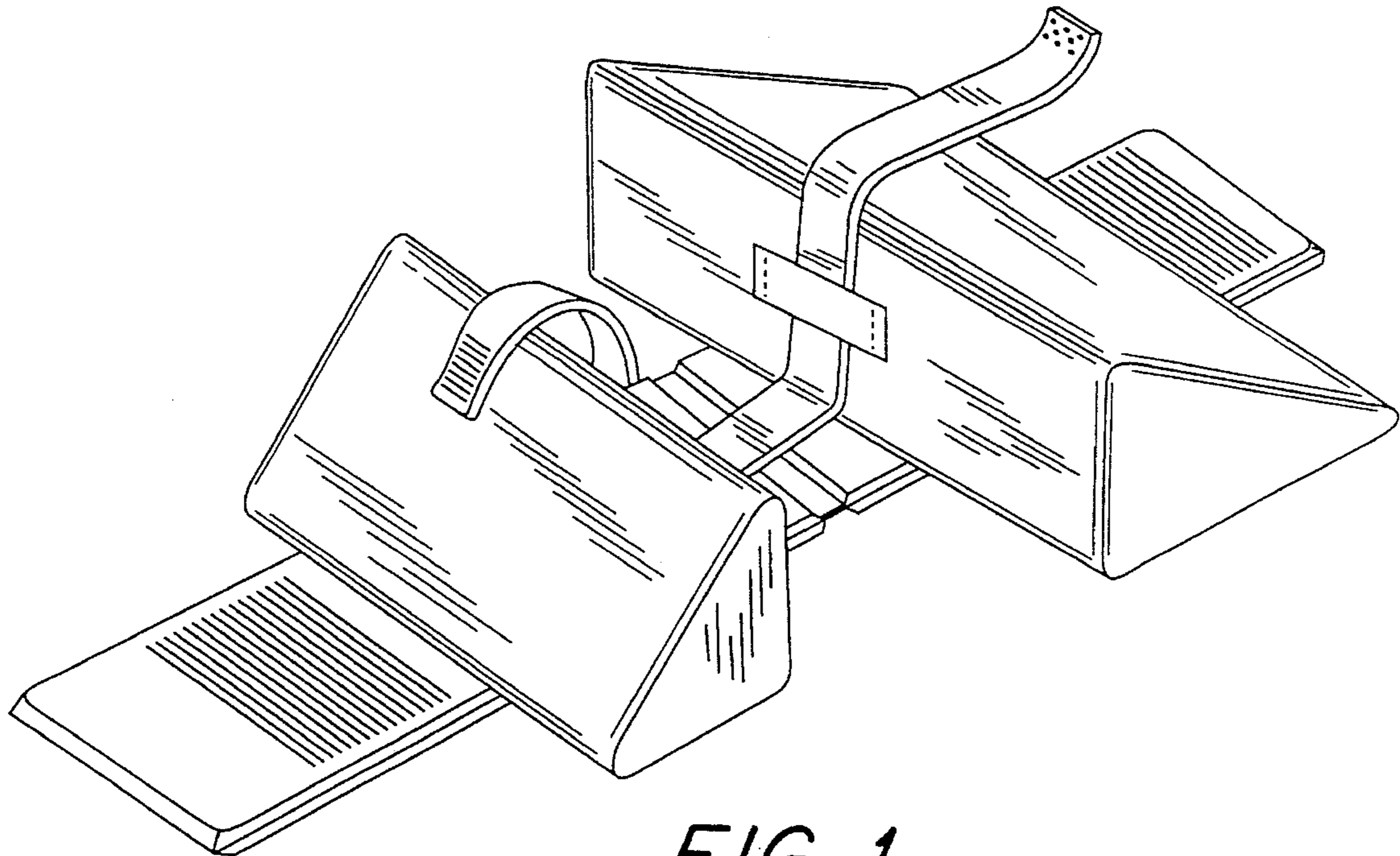


FIG. 1

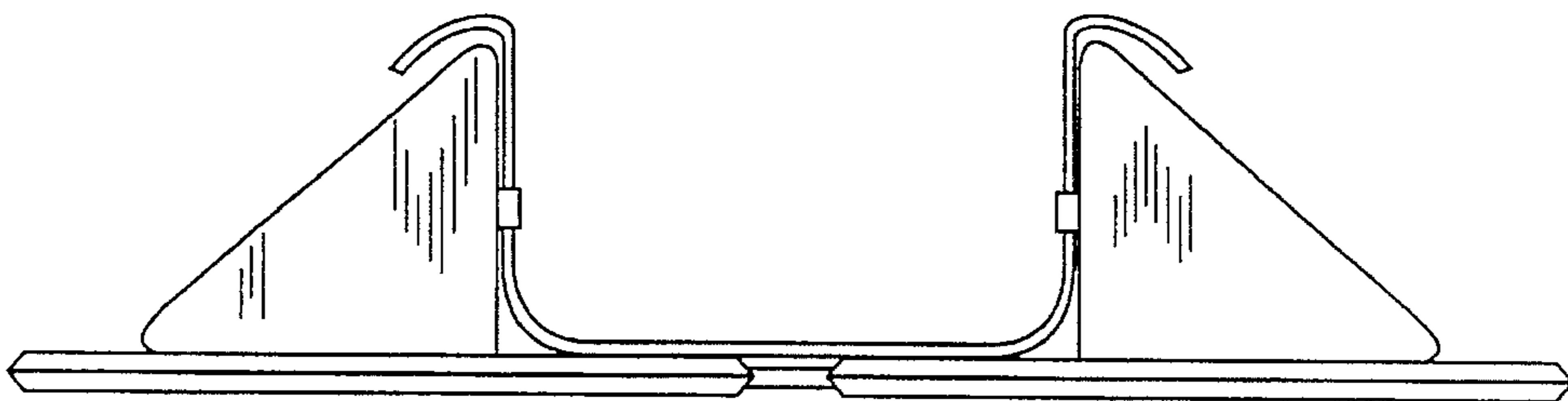


FIG. 2

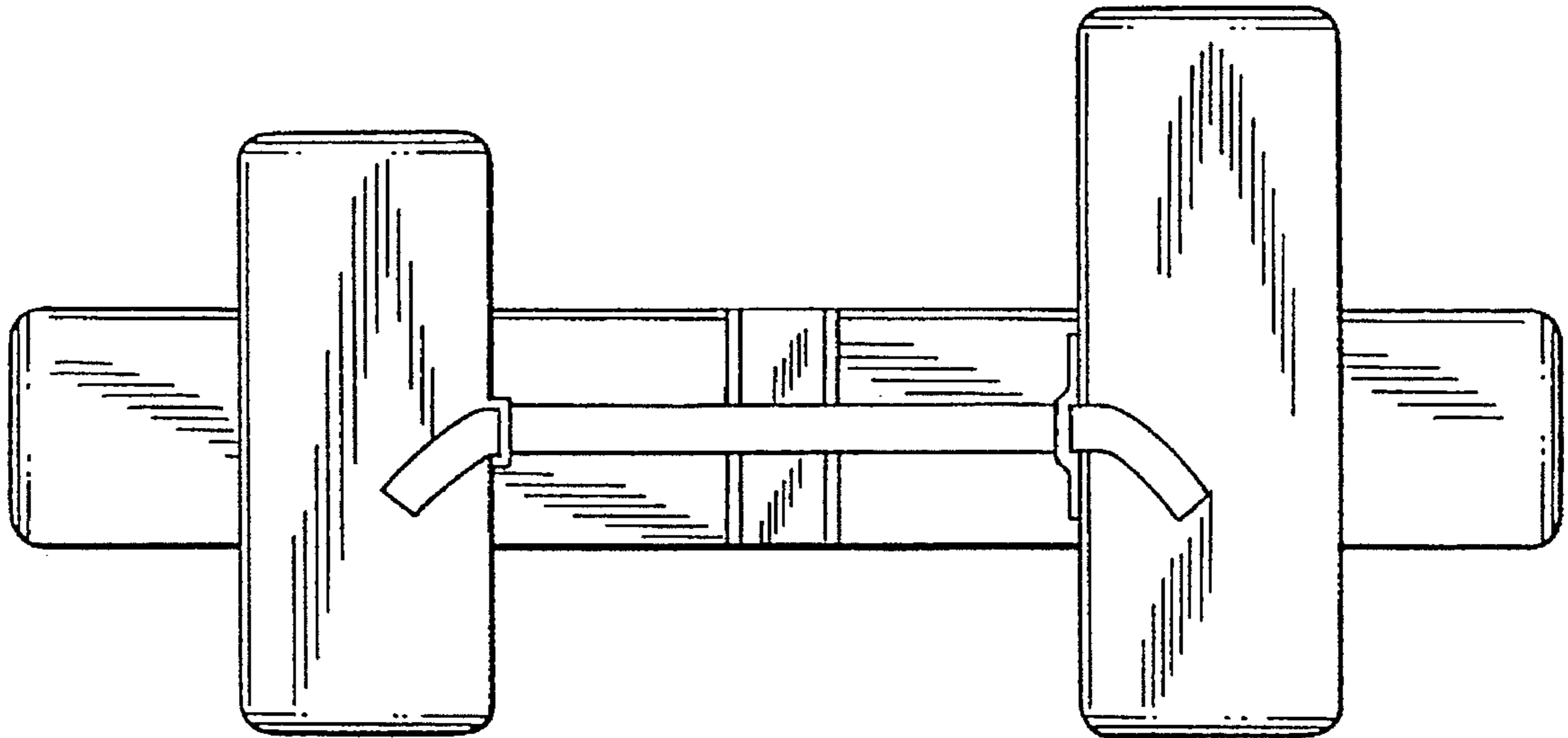


FIG. 3

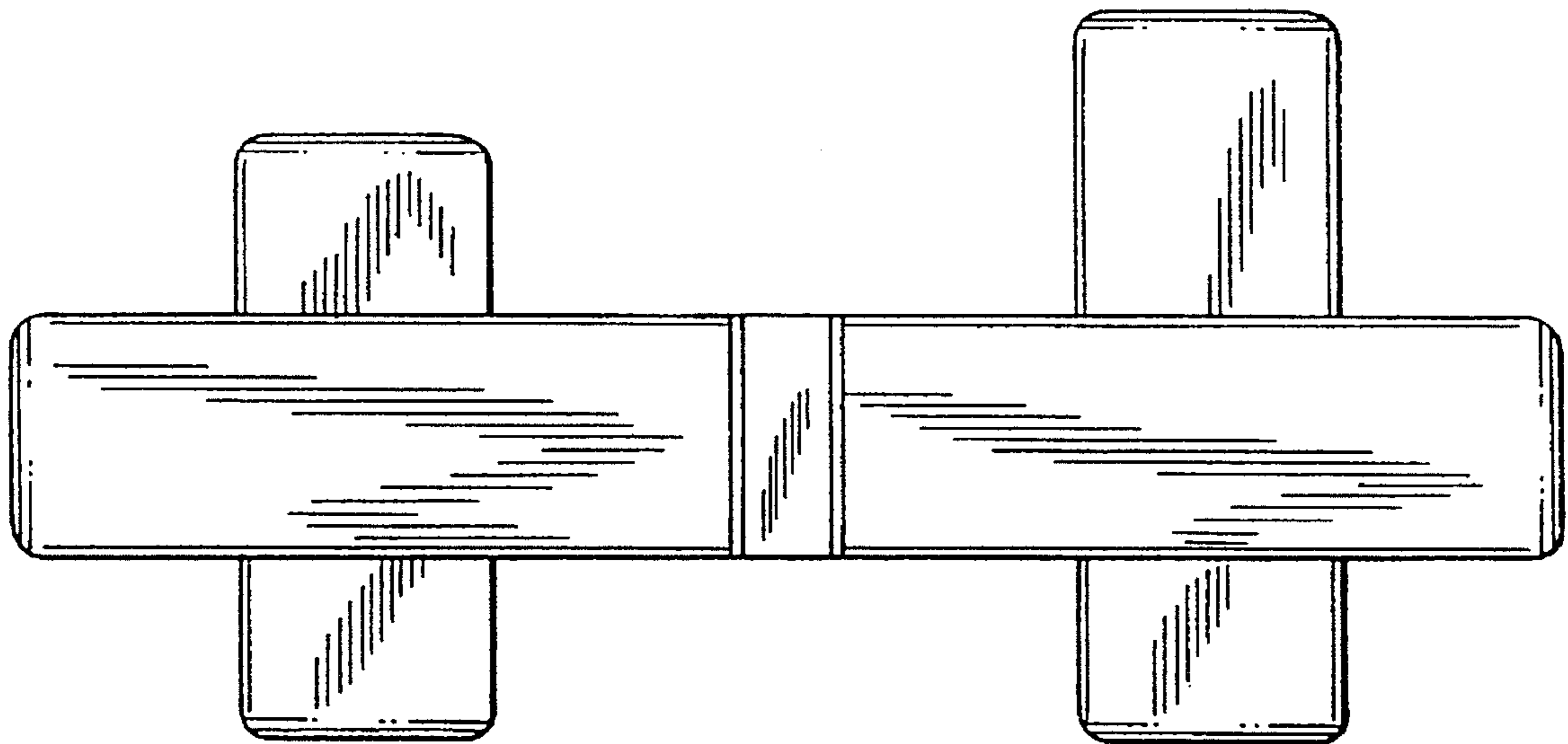


FIG. 4