



US00D378607S

United States Patent [19] Chiu et al.

[11] Patent Number: **Des. 378,607**

[45] Date of Patent: ****Mar. 25, 1997**

[54] **EVAPORATIVE HUMIDIFIER**

D. 330,074 10/1992 Wang et al. D23/356

[75] Inventors: **Bernard Chiu**, Wellesley, Mass.;
Jui-Shang Wang, Taipei, Taiwan;
Stanley Gresens, Homewood, Ill.

Primary Examiner—Lisa P. Lichtenstein
Attorney, Agent, or Firm—John Toupal, Esq

[73] Assignee: **Duracraft Corp.**, Southborough, Mass.

[**] Term: **14 Years**

[57] **CLAIM**

The ornamental design for an evaporative humidifier, as shown and described.

[21] Appl. No.: **44,755**

DESCRIPTION

[22] Filed: **Sep. 29, 1995**

FIG. 1 is a front, right perspective view of an evaporative humidifier;

Related U.S. Application Data

[62] Division of Ser. No. 31,383, Nov. 25, 1994, Pat. No. Des. 362,906.

[52] U.S. Cl. **D23/356**; D23/358

FIG. 2 is a front elevational view thereof;

FIG. 3 is a rear elevational view thereof;

FIG. 4 is a plan view thereof;

FIG. 5 is a bottom plan view thereof; and,

FIG. 6 is a left side elevational view.

[58] **Field of Search** D23/356-363;
422/120, 123, DIG. 4; 261/24, DIG. 41,
81, DIG. 48, 91, DIG. 3; 392/403-406,
394; 62/304

The right side elevation is a mirror image of the left side elevation.

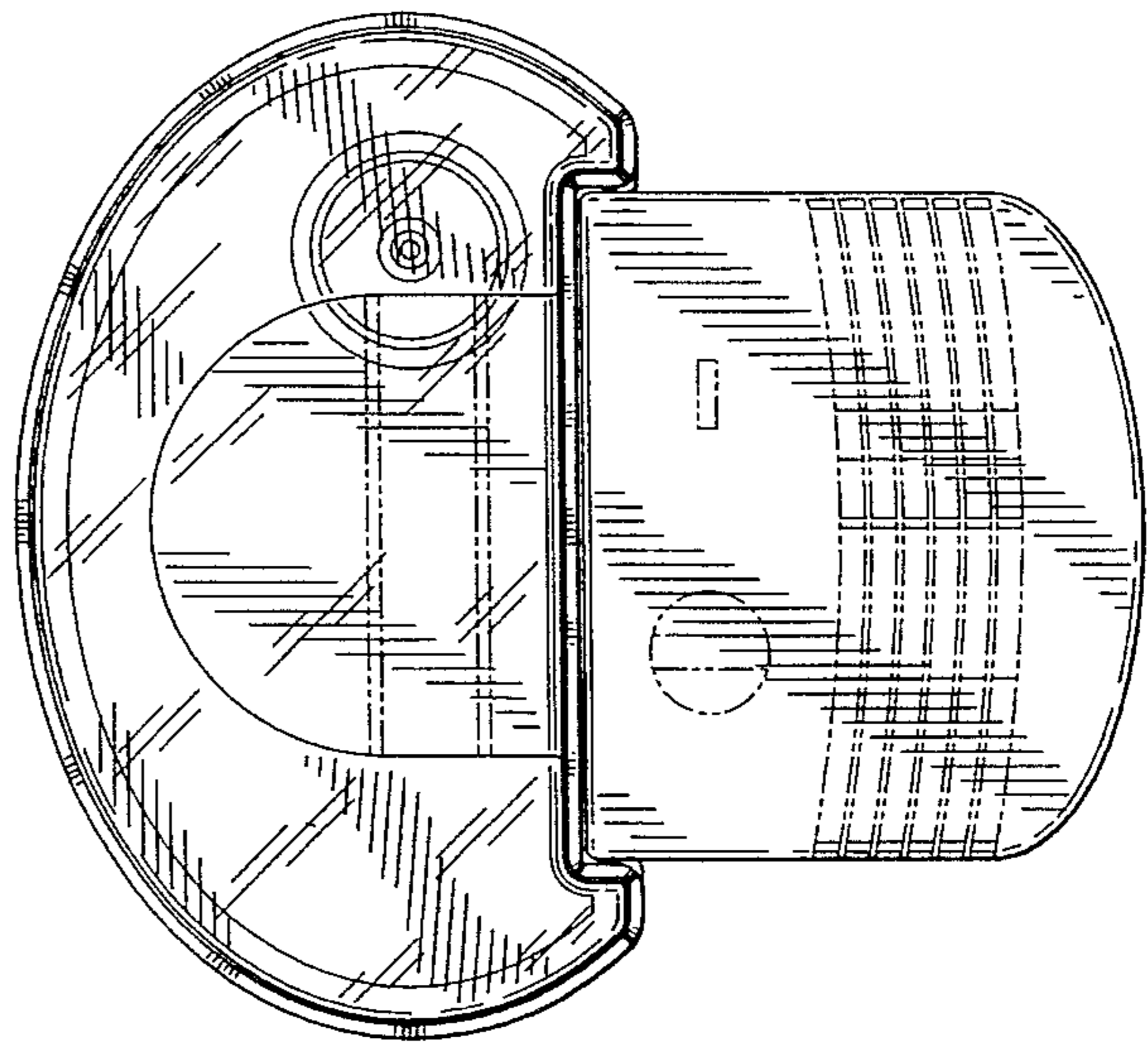
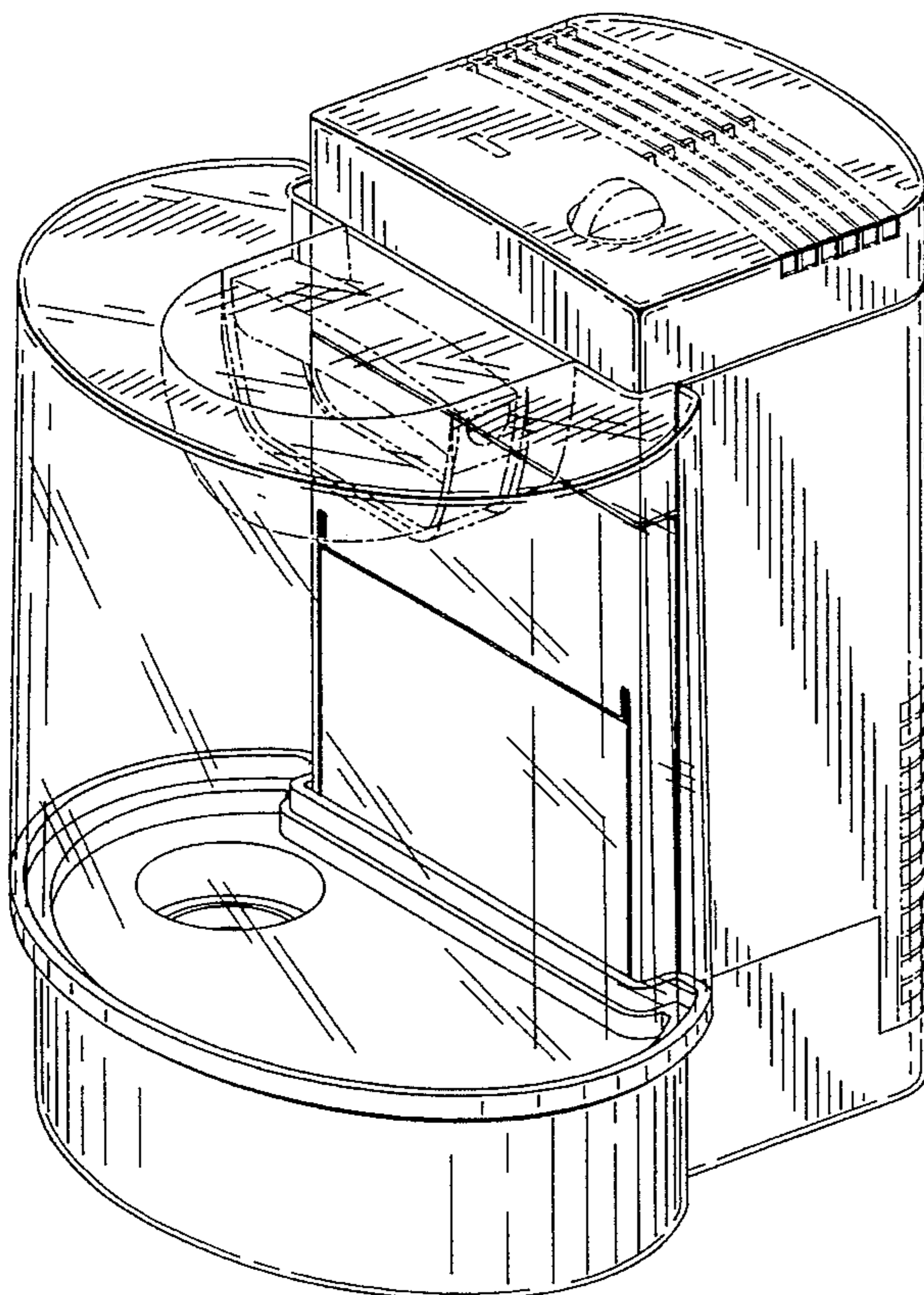
The broken line showing of environmental structure in FIGS. 1, 2, 3, 4, and 6 is for illustrative purposes only and forms no part of the claimed design.

[56] **References Cited**

U.S. PATENT DOCUMENTS

D. 288,597 3/1987 Young, Sr. D23/356

1 Claim, 5 Drawing Sheets



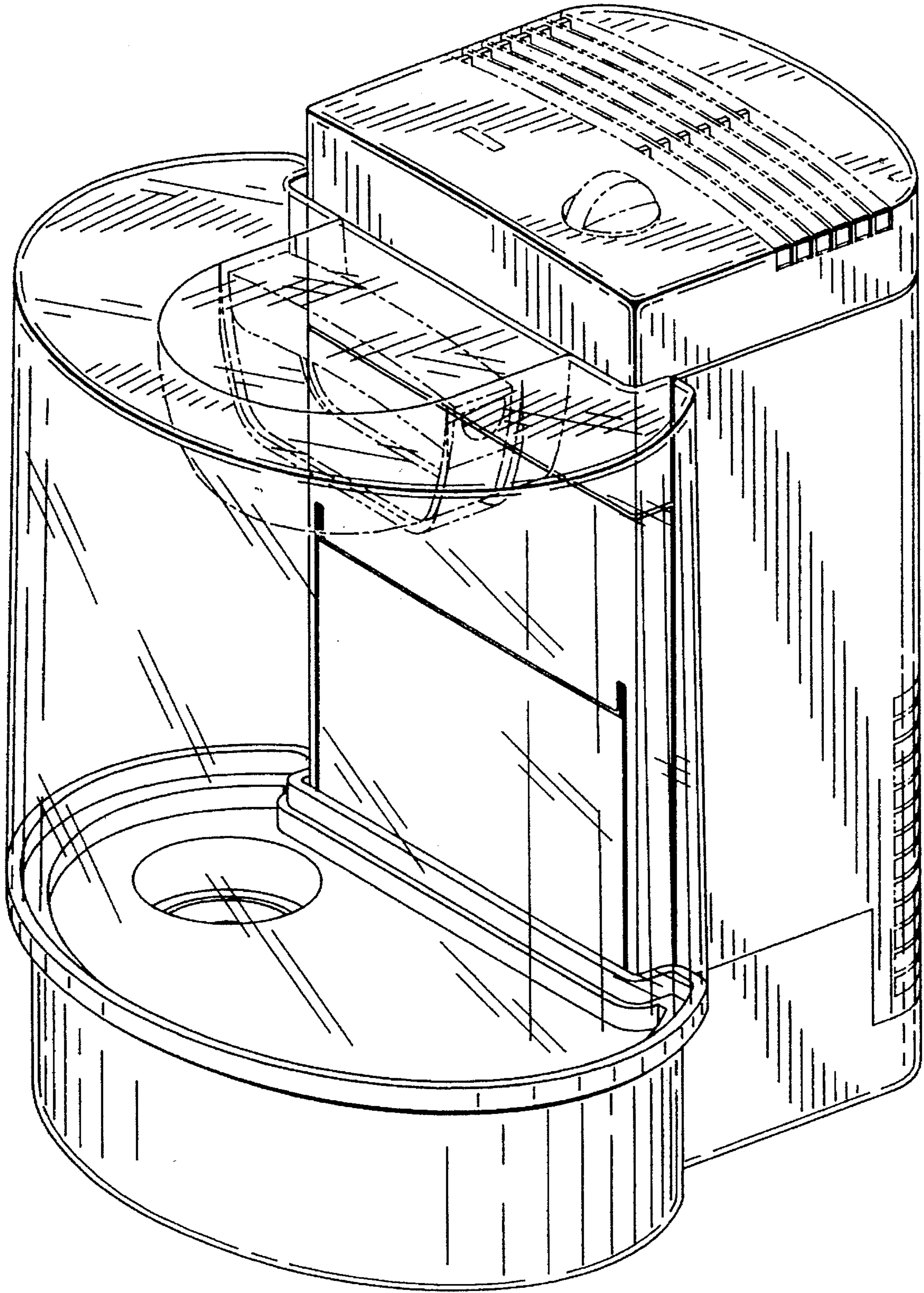


FIG. 1

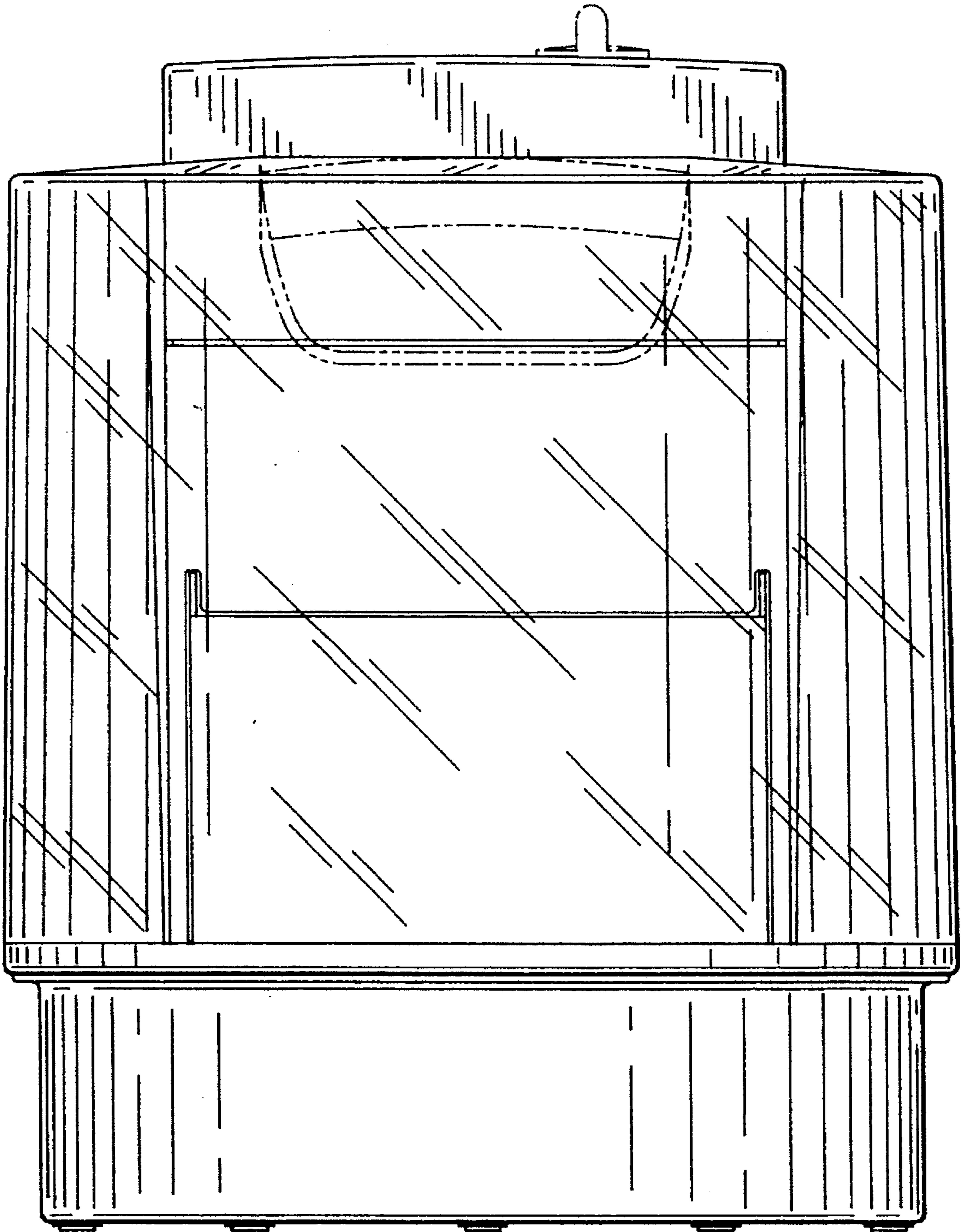


FIG. 2

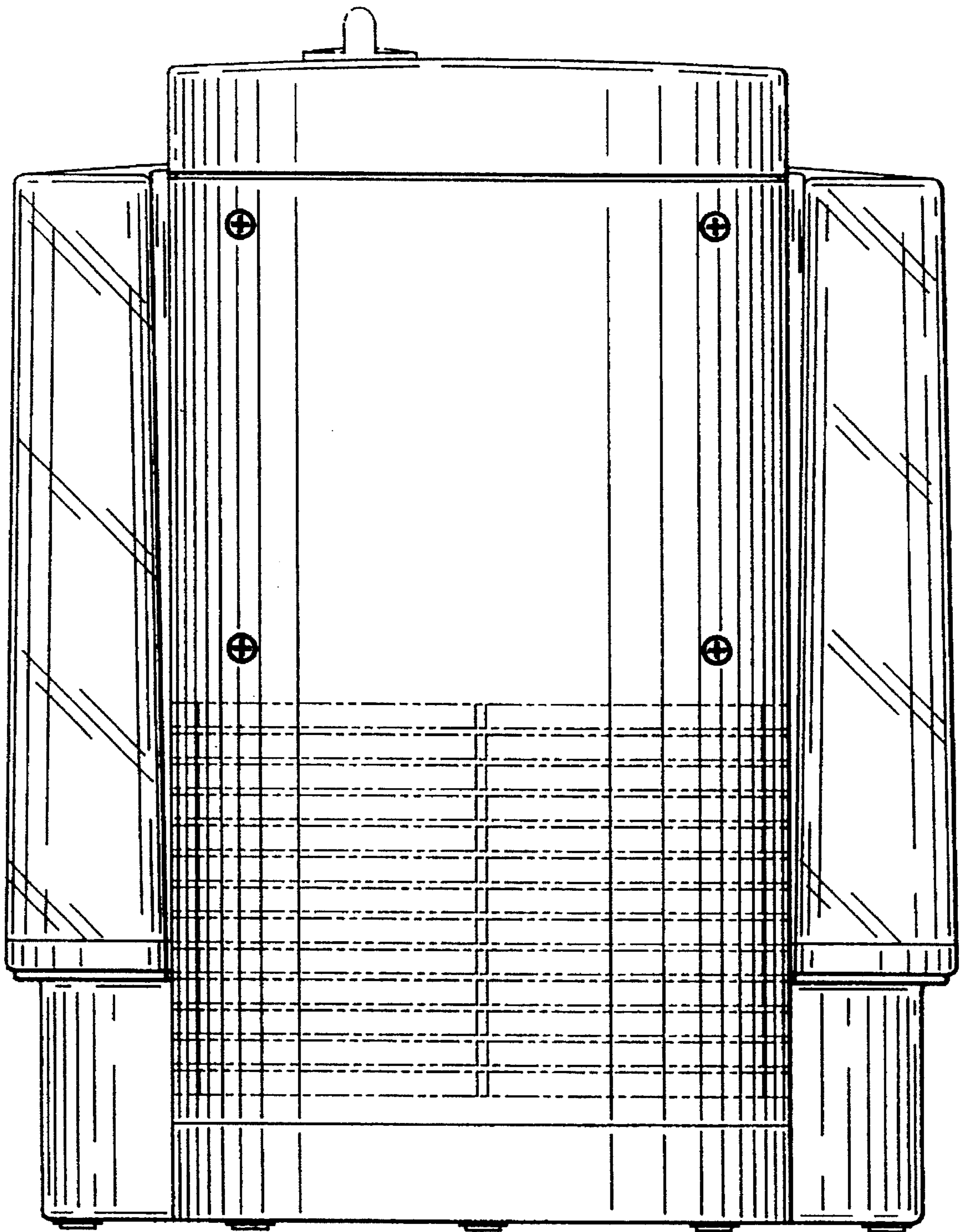


FIG. 3

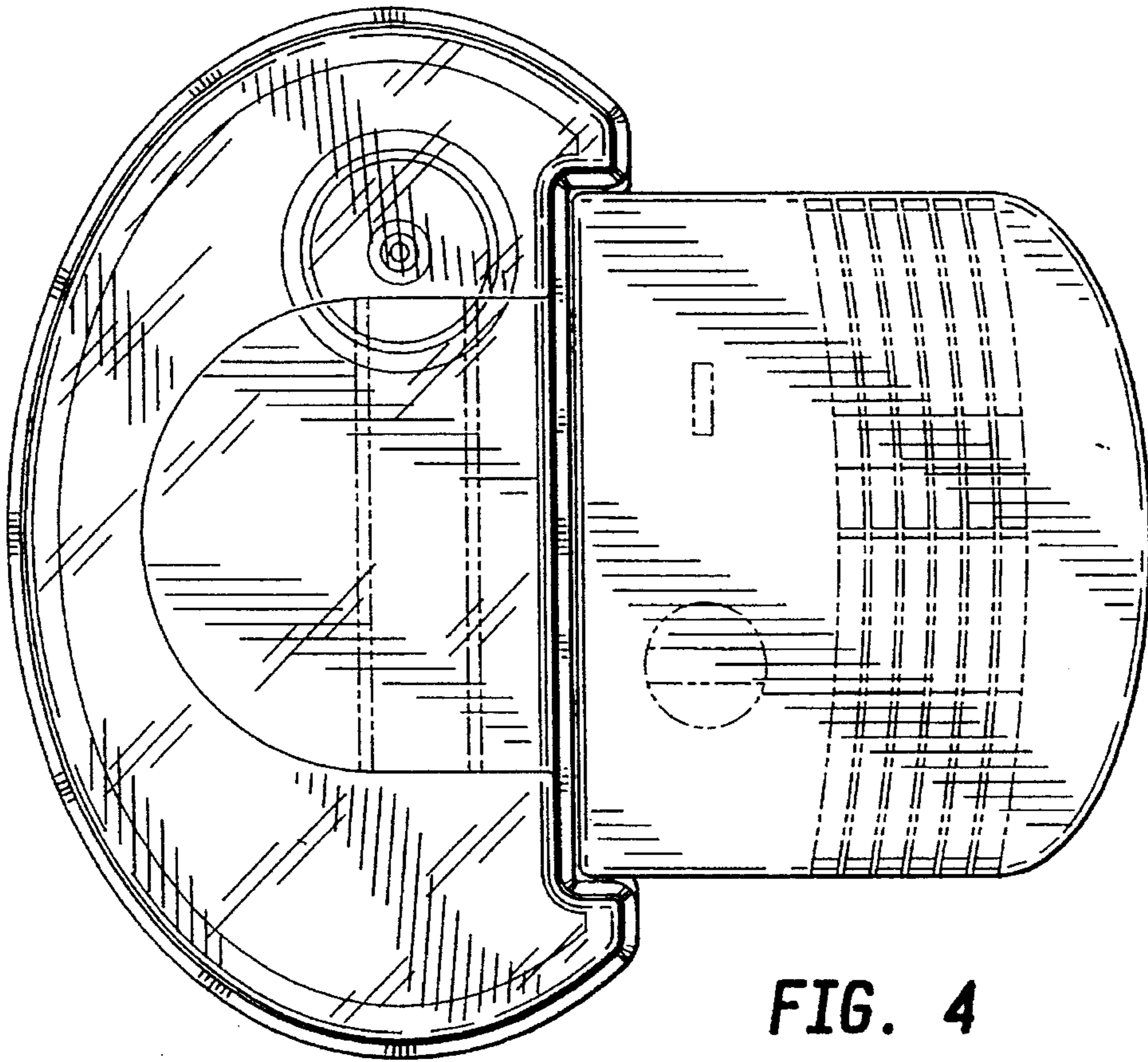


FIG. 4

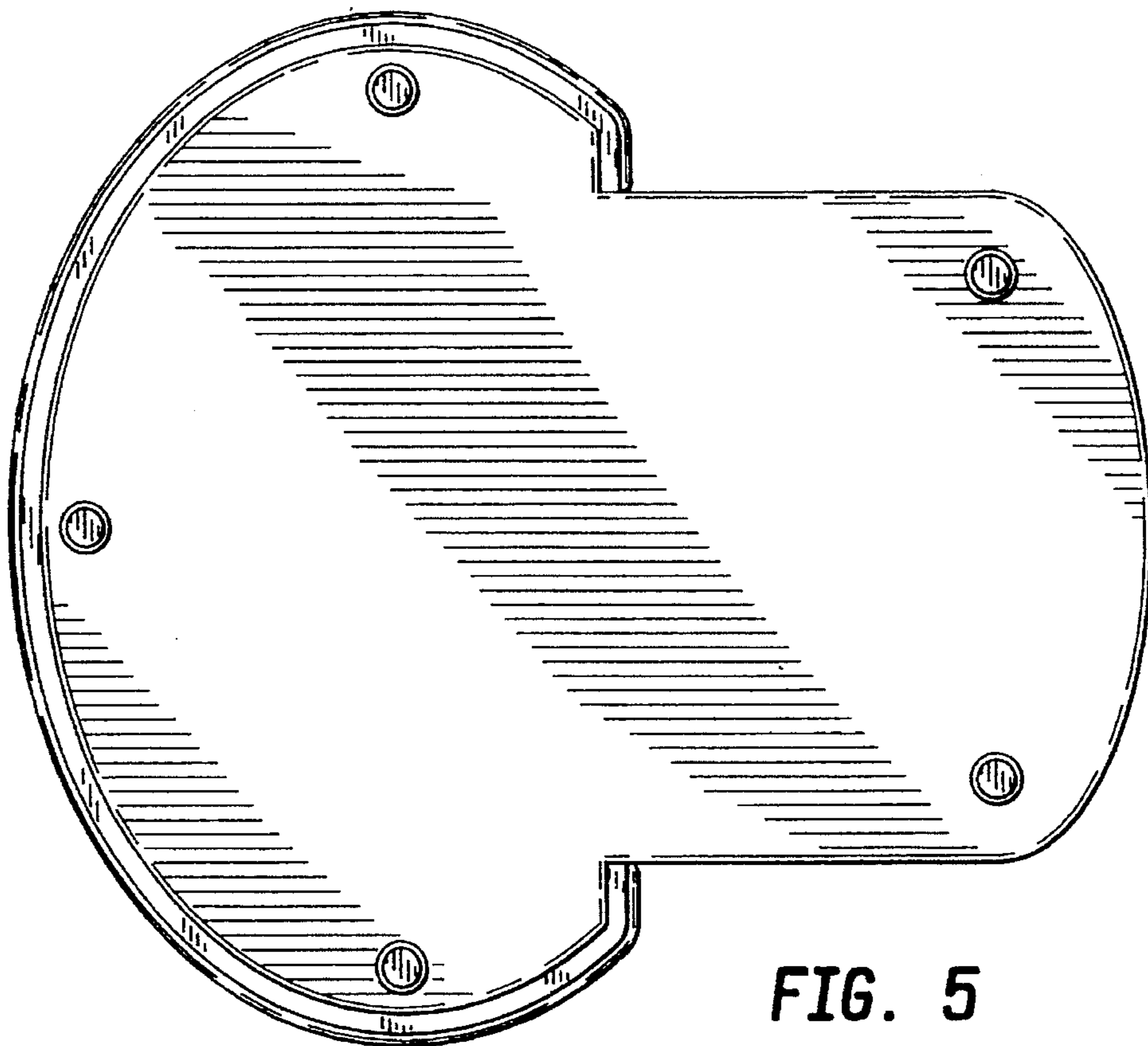


FIG. 5

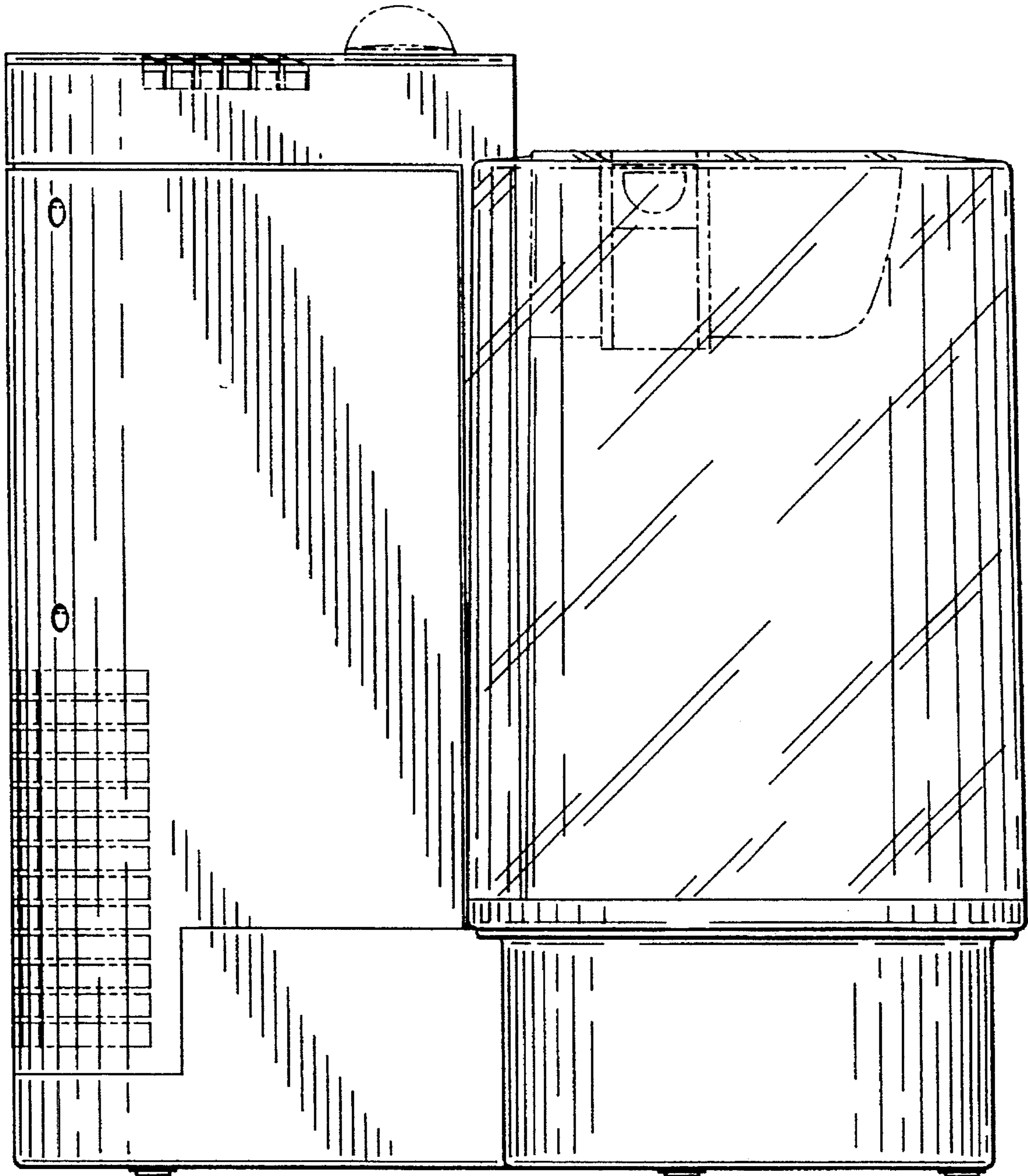


FIG. 6