



US00D378604S

United States Patent [19]

Brettschneider

[11] Patent Number: **Des. 378,604**

[45] Date of Patent: ****Mar. 25, 1997**

[54] VIDEO SLOT MACHINE

[75] Inventor: **Dirk I. Brettschneider**, Lübbecke, Germany

[73] Assignee: **adp Gauselmann GmbH**, Lübbecke, Germany

[**] Term: **14 Years**

[21] Appl. No.: **39,228**

[22] Filed: **May 24, 1995**

[30] Foreign Application Priority Data

Dec. 5, 1994 [DE] Germany M9409371.7

[52] U.S. Cl. **D21/37**

[58] Field of Search D21/37-41; 273/138 R, 273/143 R, 85 CP

[56] References Cited

U.S. PATENT DOCUMENTS

- D. 272,254 1/1984 Heywood .
- D. 275,117 8/1984 Heywood D21/38
- D. 284,592 7/1986 Drews et al. D21/38
- D. 333,164 2/1993 Kraft et al. .

- D. 344,122 2/1994 McKay et al. D21/37
- 5,108,099 4/1992 Smyth 273/143 R X
- 5,123,649 6/1992 Tiberio 273/143 R
- 5,154,421 10/1992 Hamano .
- 5,167,413 12/1992 Fulton 273/85 CP
- 5,219,167 6/1993 Hamano 273/143 R
- 5,251,898 10/1993 Dickenson et al. 273/143 R

Primary Examiner—Ted Shooman
Assistant Examiner—Mitchell I. Siegel
Attorney, Agent, or Firm—Horst M. Kasper

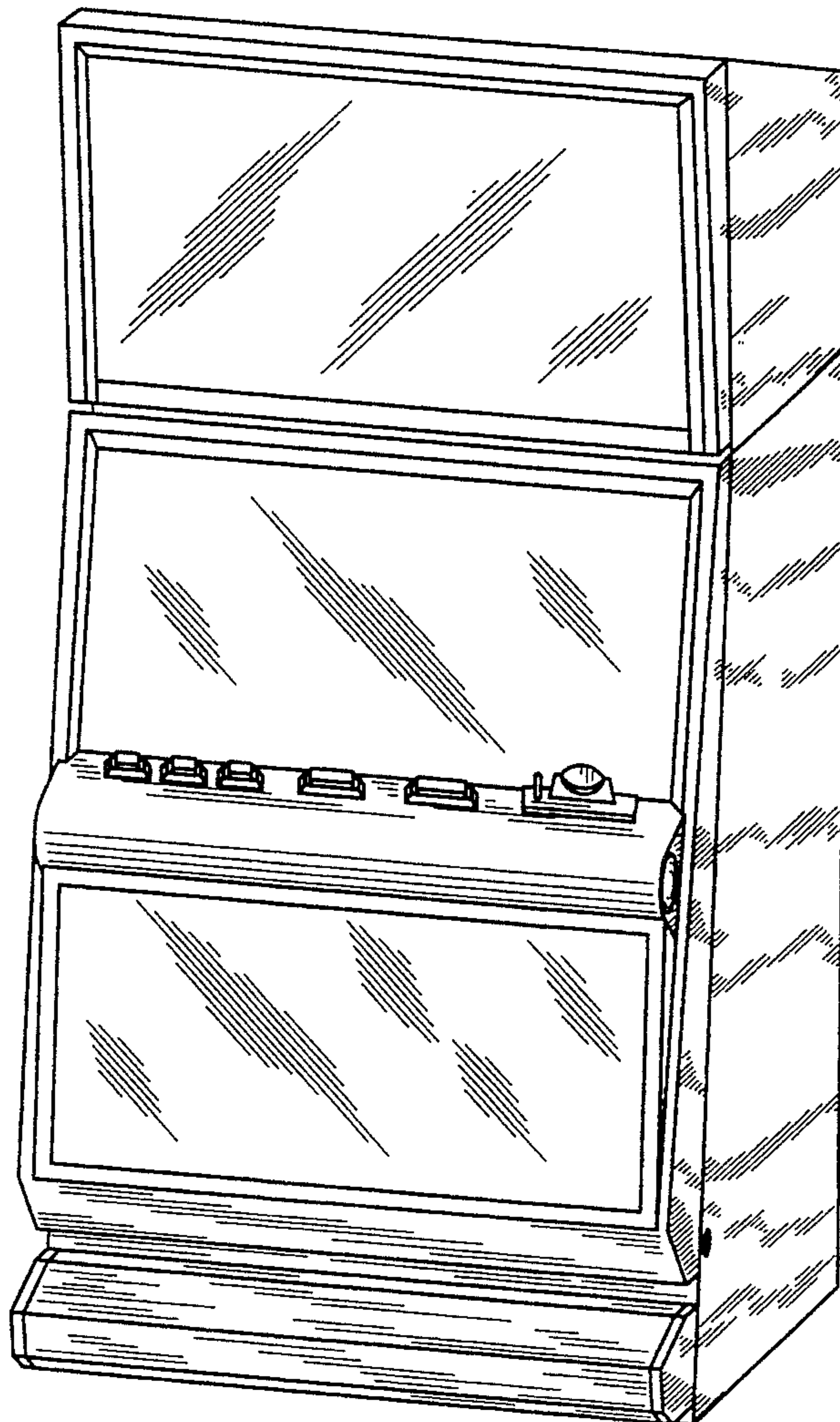
[57] CLAIM

The ornamental design for a video slot machine, as shown and described.

DESCRIPTION

FIG. 1 is a front elevational view of a video slot machine showing my new design;
FIG. 2 is a rear elevational view thereof;
FIG. 3 is a right side elevational view thereof;
FIG. 4 is a left side elevational view thereof;
FIG. 5 is a top plan view thereof; and,
FIG. 6 is a perspective view thereof.

1 Claim, 6 Drawing Sheets



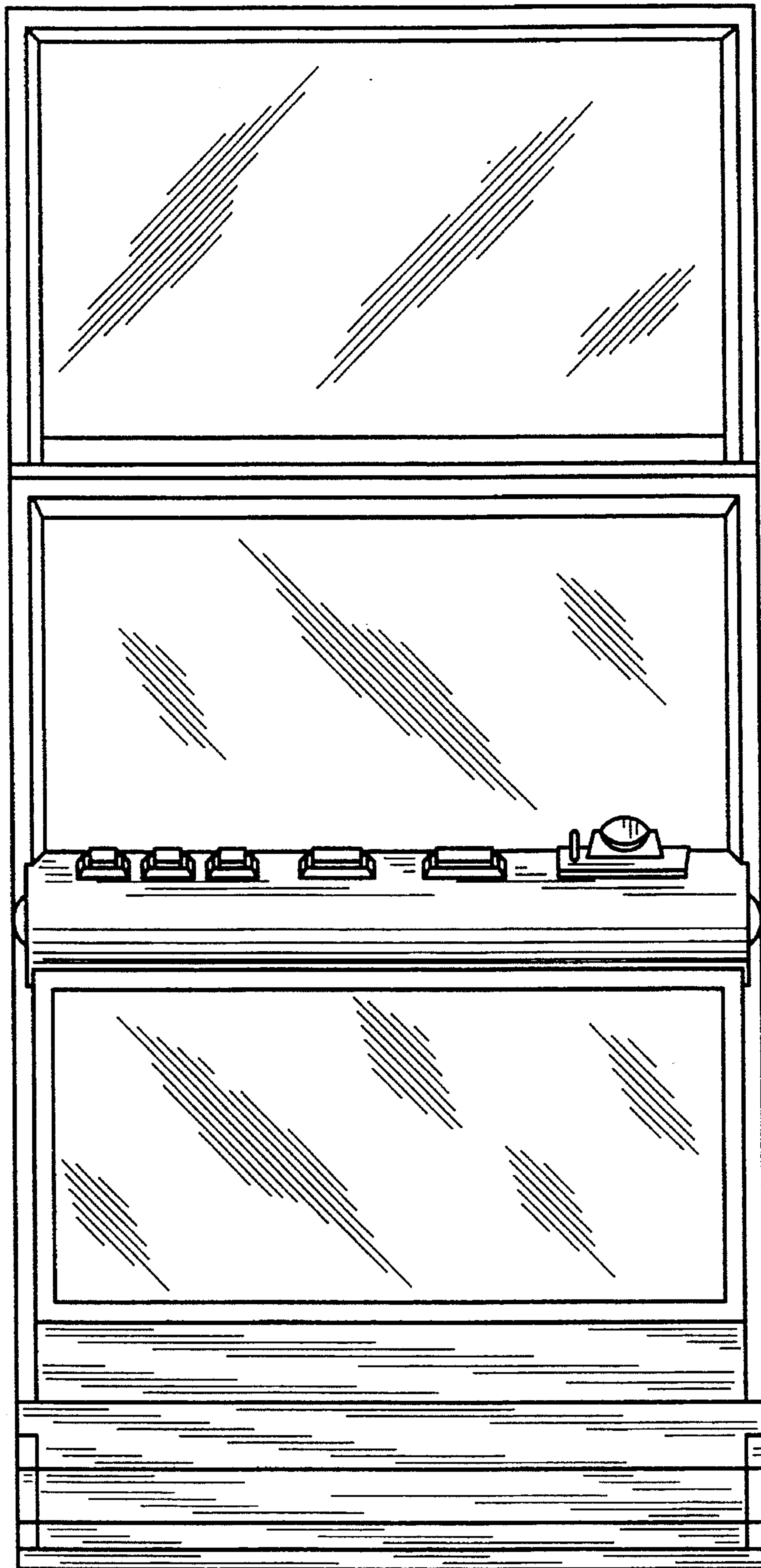


Fig. 1

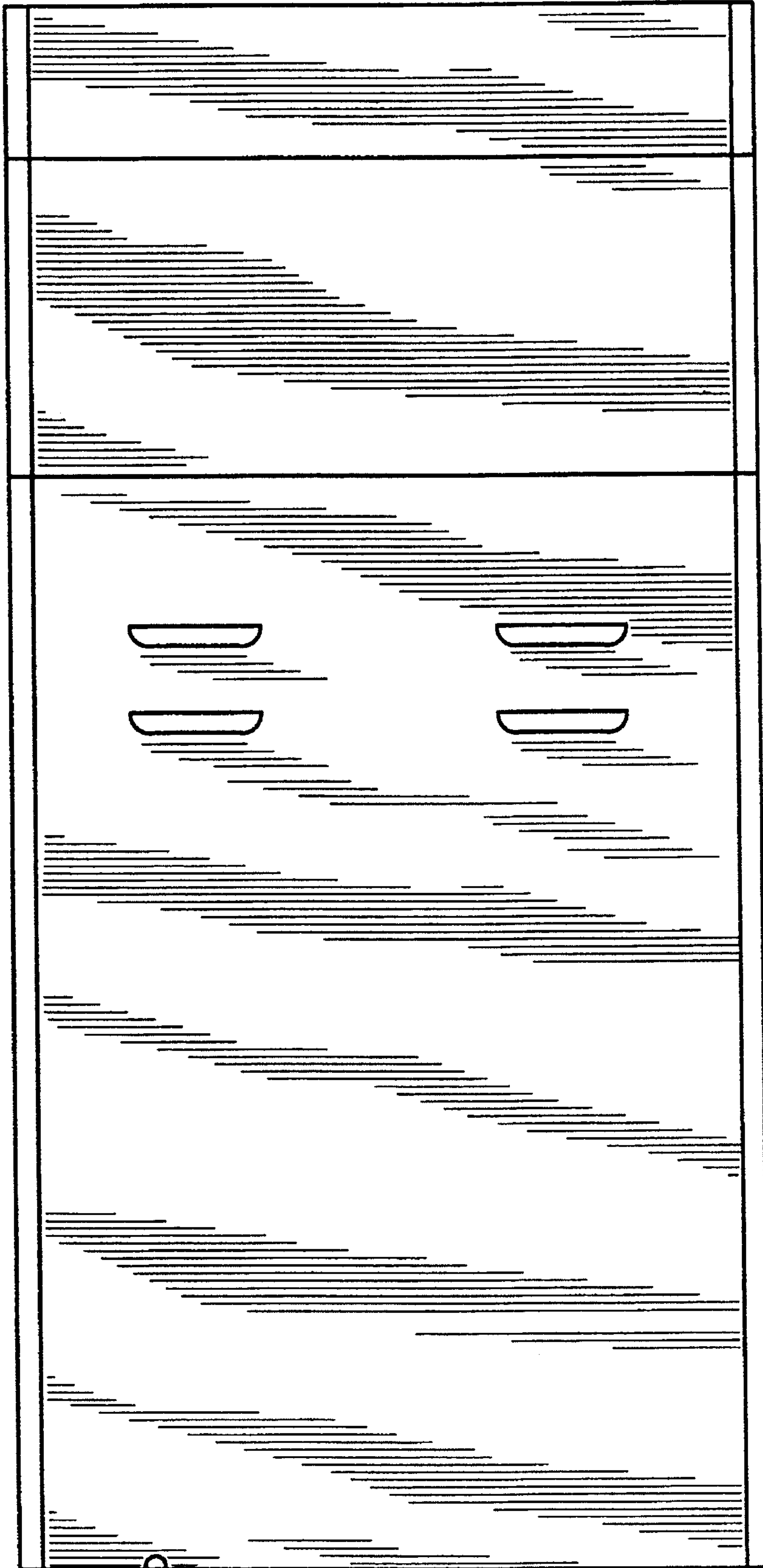


Fig.2

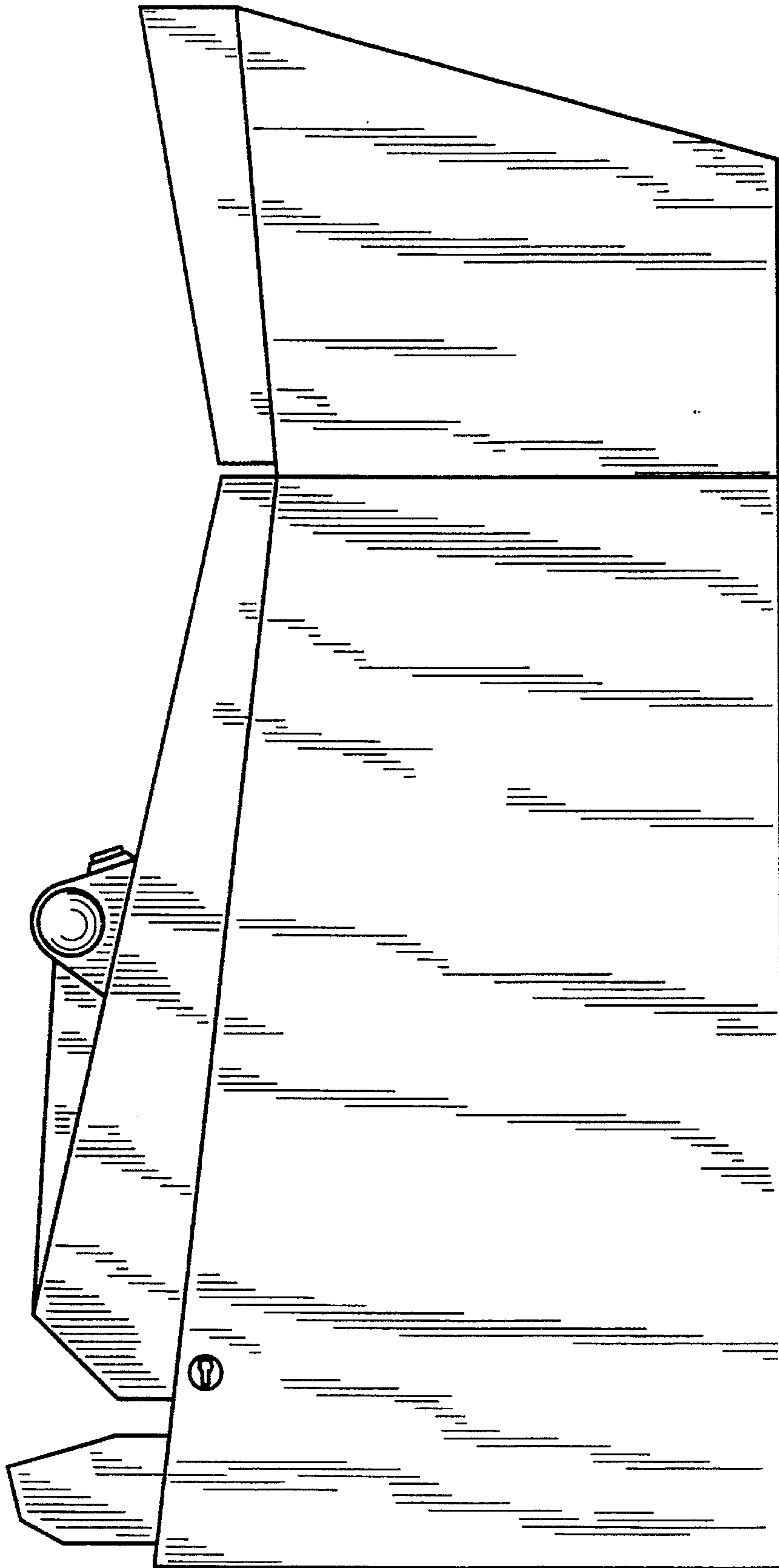


Fig.3

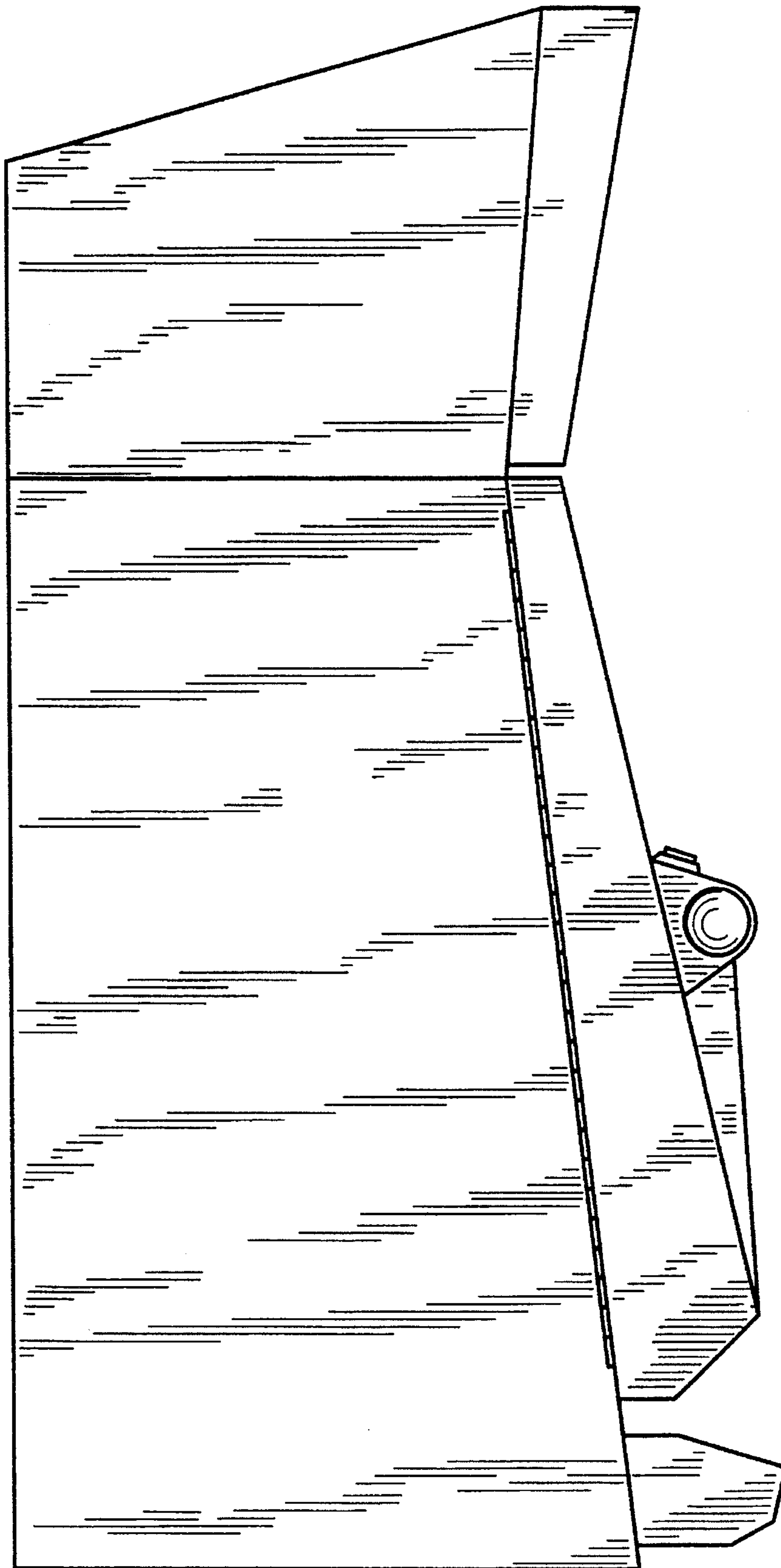


Fig.4

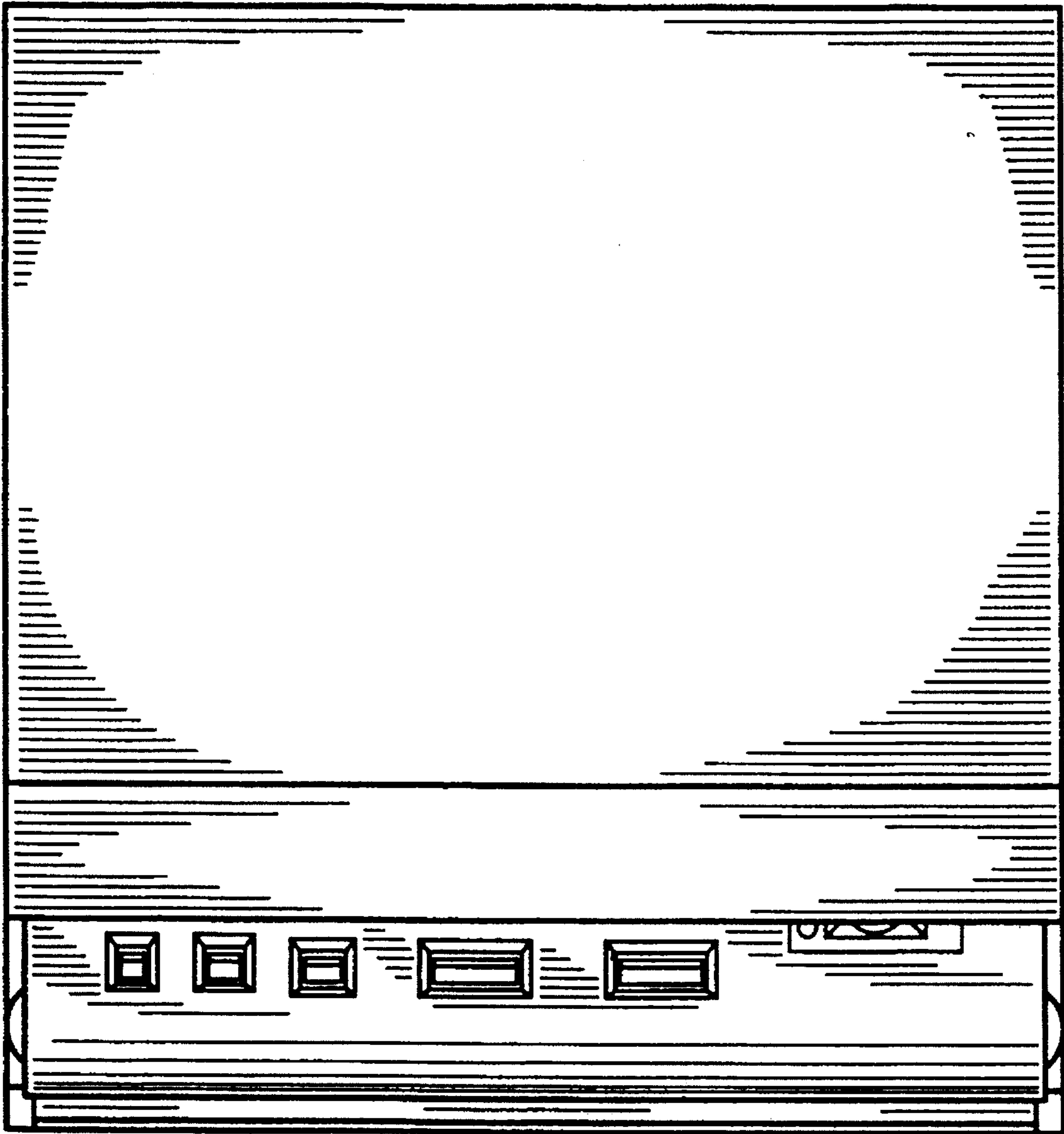


Fig.5

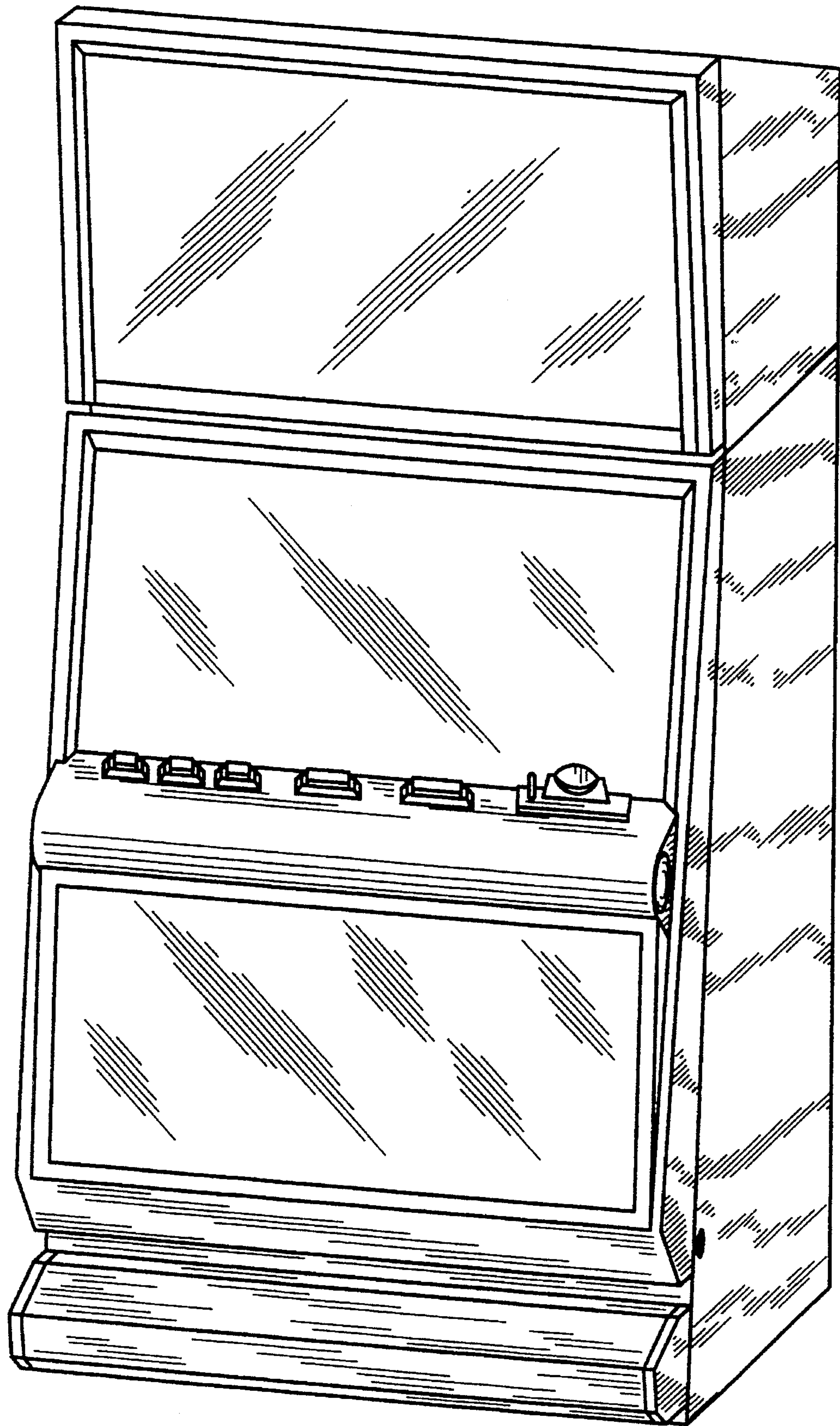


Fig.6