



US00D378603S

# United States Patent [19]

Chapman et al.

[11] Patent Number: **Des. 378,603**

[45] Date of Patent: **\*\*Mar. 25, 1997**

[54] COVER LABEL FOR DAYLIGHT CAMERA

[75] Inventors: **Steven S. Chapman**, Corfu; **Daniel C. Jackson**; **John K. McBride**, both of Rochester; **James G. Rydelek**, Henrietta; **Joseph E. Yokajty**, Rochester, all of N.Y.

[73] Assignee: **Eastman Kodak Company**, Rochester, N.Y.

[\*\*] Term: **14 Years**

[21] Appl. No.: **49,355**

[22] Filed: **Jan. 23, 1996**

### Related U.S. Application Data

[62] Division of Ser. No. 30,435, Oct. 28, 1994.  
[52] U.S. Cl. .... **D20/22**; D16/219  
[58] Field of Search ..... D16/200, 201, D16/208, 219, 237, 250, 203, 209, 218; 354/194.11, 202, 288; D20/11, 20-27; 40/299

### [56] References Cited

#### U.S. PATENT DOCUMENTS

D. 26,916 4/1897 Wittemann ..... D20/23  
D. 225,280 11/1972 Conner ..... D16/219  
D. 236,657 9/1975 Reeves ..... D20/22

D. 321,525 11/1991 Izumi et al. .... D16/219  
D. 323,523 1/1992 Tanaka et al. .... D16/209  
D. 329,864 9/1992 Kawagoe ..... D16/218  
D. 345,987 4/1994 Nihei ..... D16/209  
D. 345,988 4/1994 Nojima et al. .... D16/209  
D. 346,176 4/1994 Nihei ..... D16/209  
1,196,209 8/1916 Clark et al. .... 354/202  
3,958,260 5/1976 Nagasaka ..... 354/202  
5,329,330 7/1994 Sakai et al. .... 354/288  
5,400,098 3/1995 Rydelek ..... 354/288

*Primary Examiner*—Ted Shooman  
*Assistant Examiner*—Adir Aronovich  
*Attorney, Agent, or Firm*—Roger A. Fields

### [57] CLAIM

The ornamental design for a cover label for daylight camera, as shown and described.

### DESCRIPTION

FIG. 1 is a front elevation view of a cover label for daylight camera showing our new design; FIG. 2 is a top plan view thereof; FIG. 3 is a bottom plan view thereof; FIG. 4 is a left-side elevation view thereof; FIG. 5 is a right-side elevation view thereof; and, FIG. 6 is a perspective view thereof, the broken line showing of a camera is for illustrative purposes only and forms no part of the claimed design.

**1 Claim, 2 Drawing Sheets**

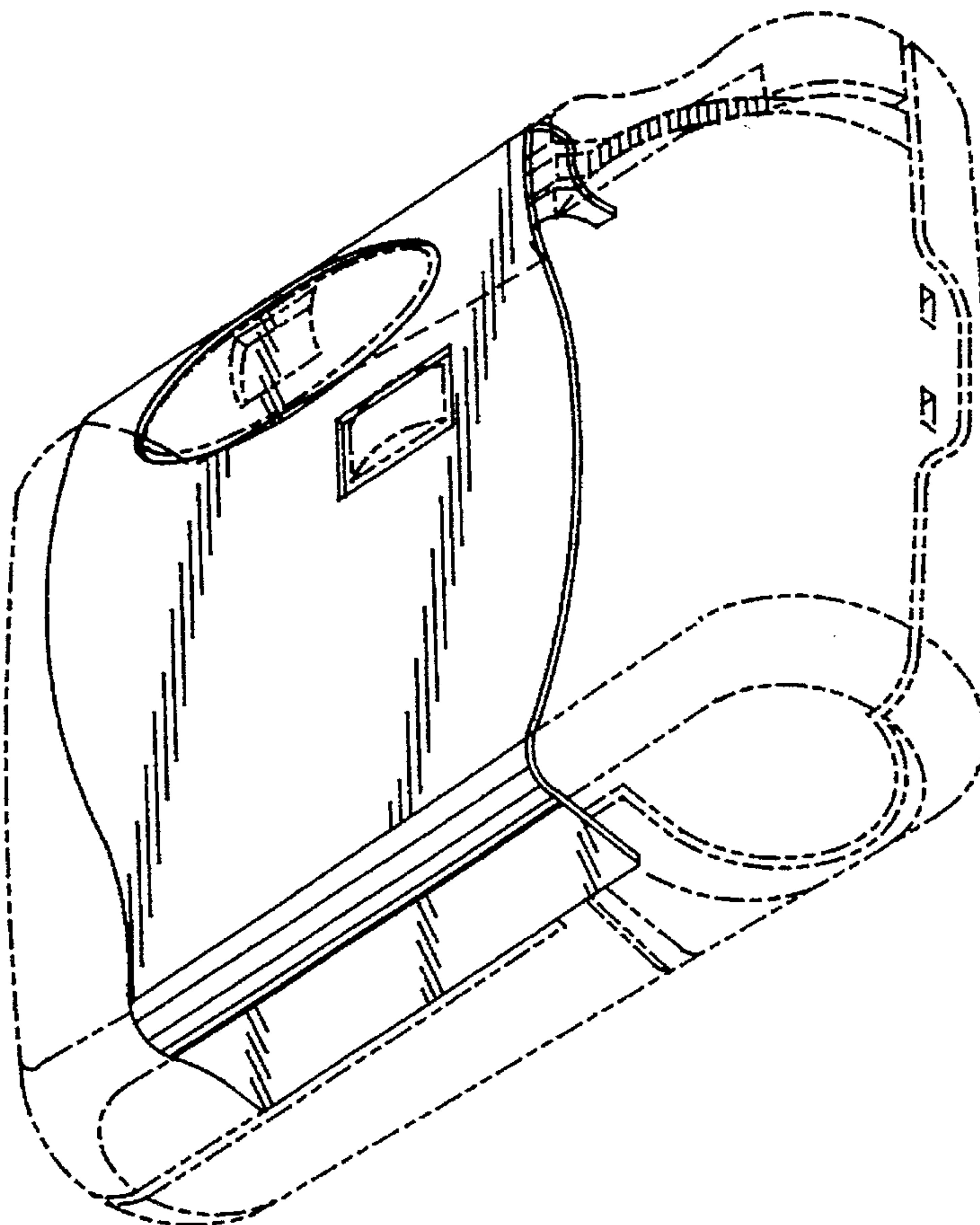


FIG. 2



FIG. 5

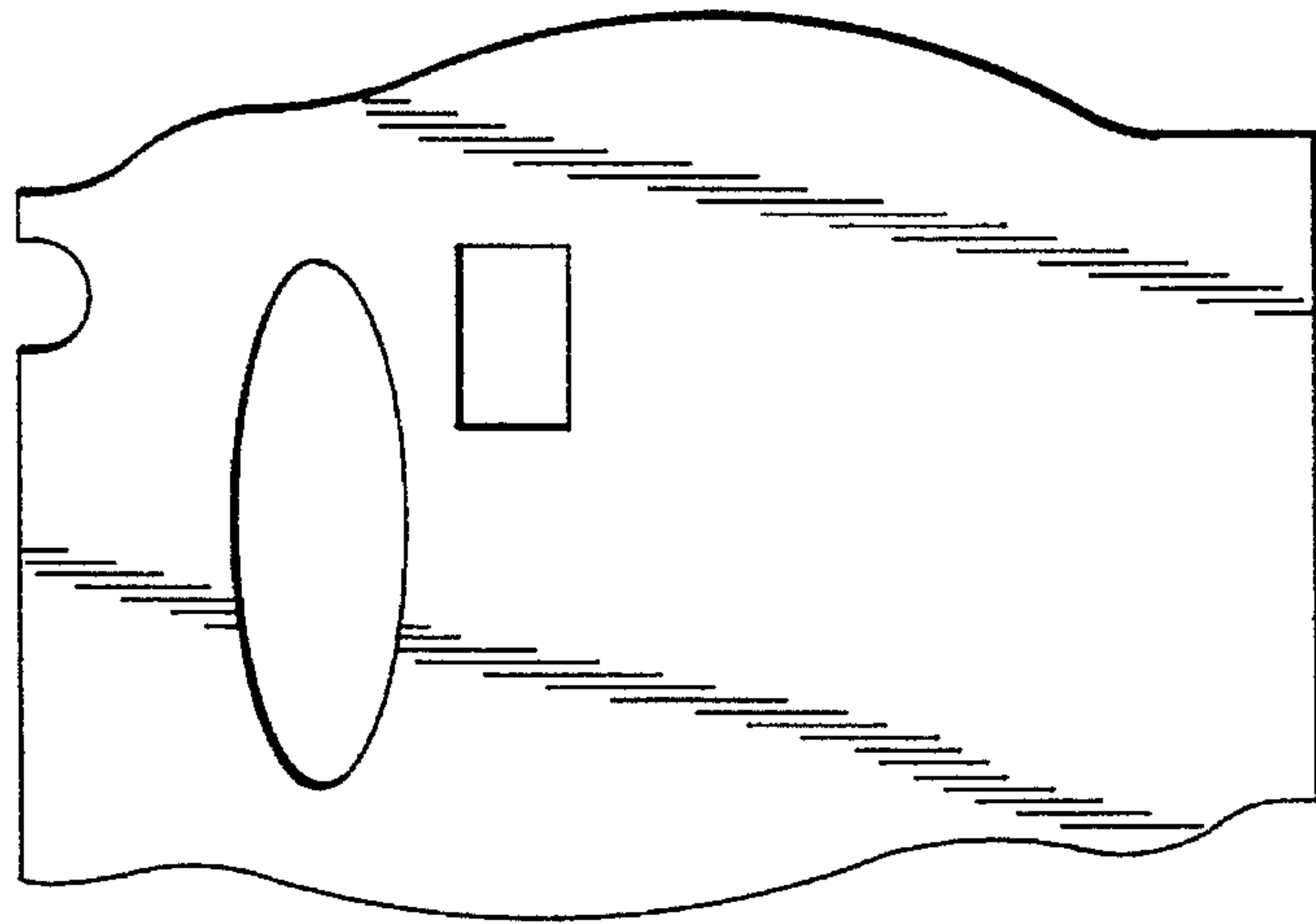
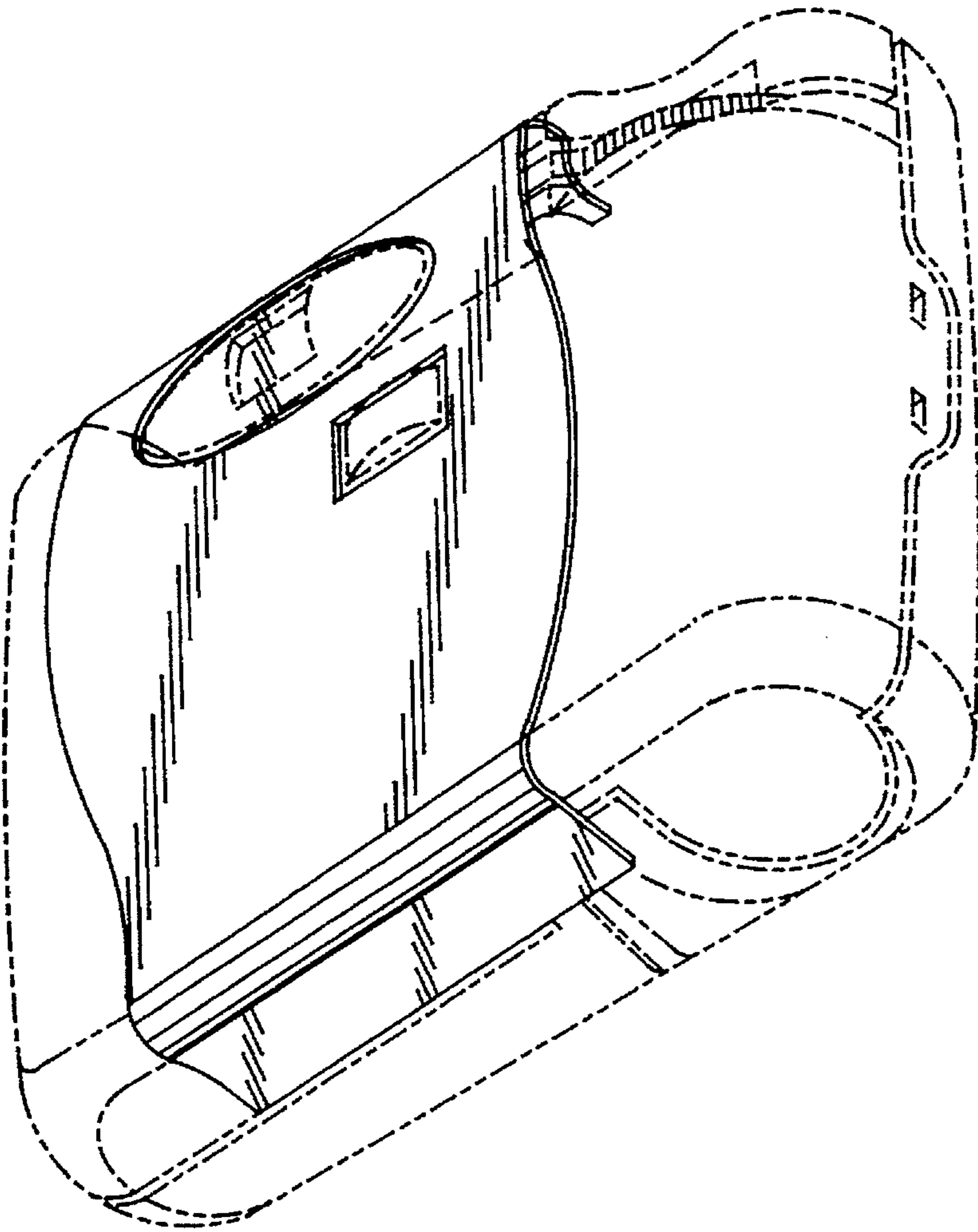


FIG. 1

FIG. 3



FIG. 4



*FIG. 6*