



US00D378602S

United States Patent [19]
Schwarzli

[11] **Patent Number: Des. 378,602**

[45] **Date of Patent: **Mar. 25, 1997**

[54] **OVERSPILL TRAY FOR BULK VENDORS**

[75] Inventor: **Josef W. Schwarzli**, Stouffville, Canada

[73] Assignee: **Machine-O-Matic Limited**,
Newmarket, Canada

[**] Term: **14 Years**

[21] Appl. No.: **42,928**

[22] Filed: **Aug. 21, 1995**

[30] **Foreign Application Priority Data**

May 9, 1995 [CA] Canada 1995-1009

[52] **U.S. Cl.** **D20/8; D20/7**

[58] **Field of Search** **D20/7, 8; D8/354;**
D23/267; D25/35; 194/350, 236, 255, 353;
232/64

[56] **References Cited**

U.S. PATENT DOCUMENTS

D. 44,615	9/1913	Paul	D20/7
D. 109,144	4/1938	Kuehn	D23/267
D. 277,633	2/1985	McClellan	D20/7 X
D. 332,285	1/1993	Bolen	D20/7
3,822,775	7/1974	Hall	194/236
5,190,133	3/1993	Bolen	194/350

Primary Examiner—Prabhakar G. Deshmukh

Assistant Examiner—Mitchell I. Siegel

Attorney, Agent, or Firm—Mark B. Eisen

[57] **CLAIM**

The ornamental design for a overspill tray for bulk vendors, as shown and described.

DESCRIPTION

FIG. 1 is a front elevational view of an overspill tray for bulk vendors showing my new design;

FIG. 2 is an enlarged right side elevational view thereof;

FIG. 3 is an enlarged cross sectional view taken on line 3—3 of FIG. 5;

FIG. 4 is an enlarged right side elevational view of FIG. 2;

FIG. 5 is a rear elevational view of FIG. 2;

FIG. 6 is a bottom plan view of FIG. 2;

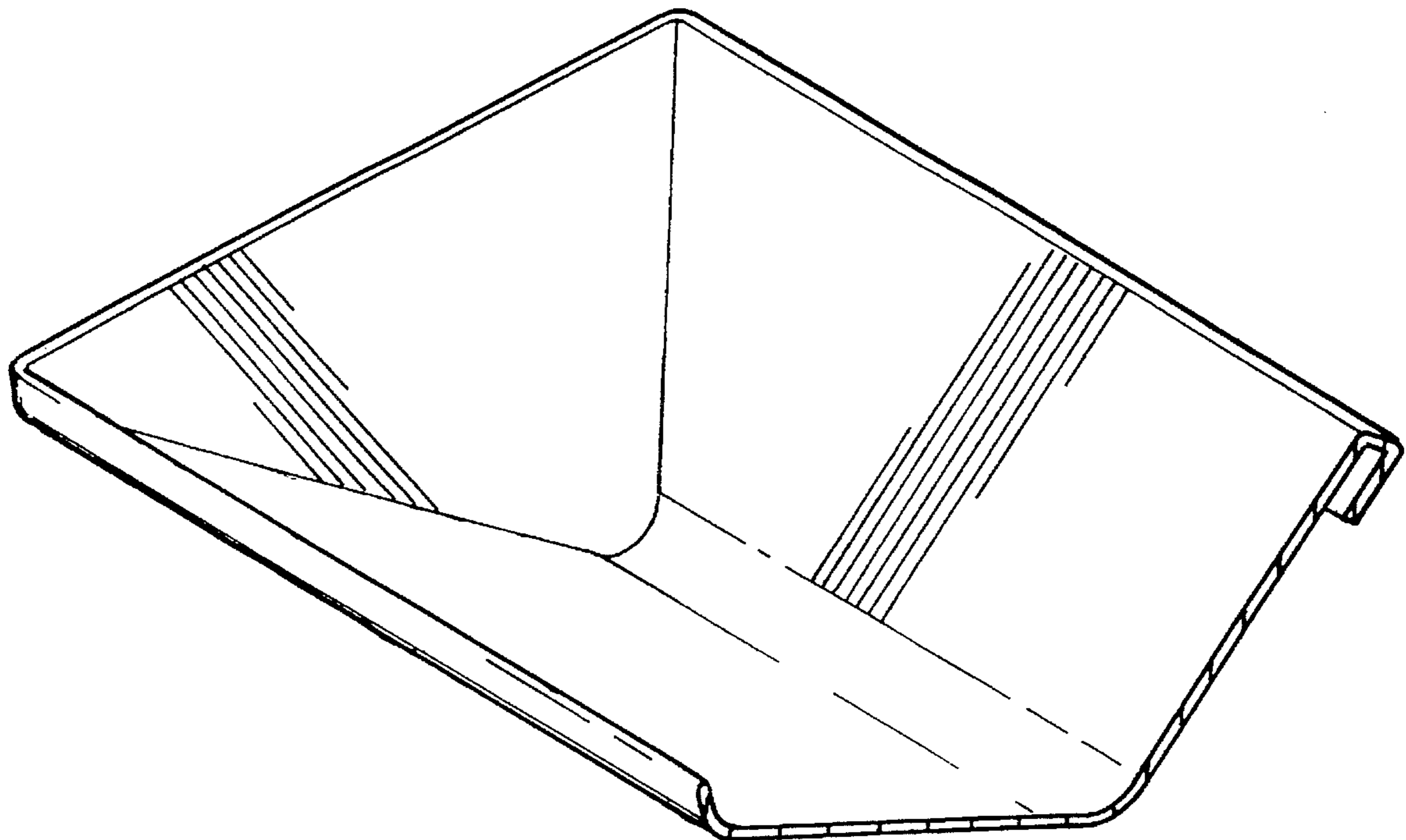
FIG. 7 is a top plan view of FIG. 2; and,

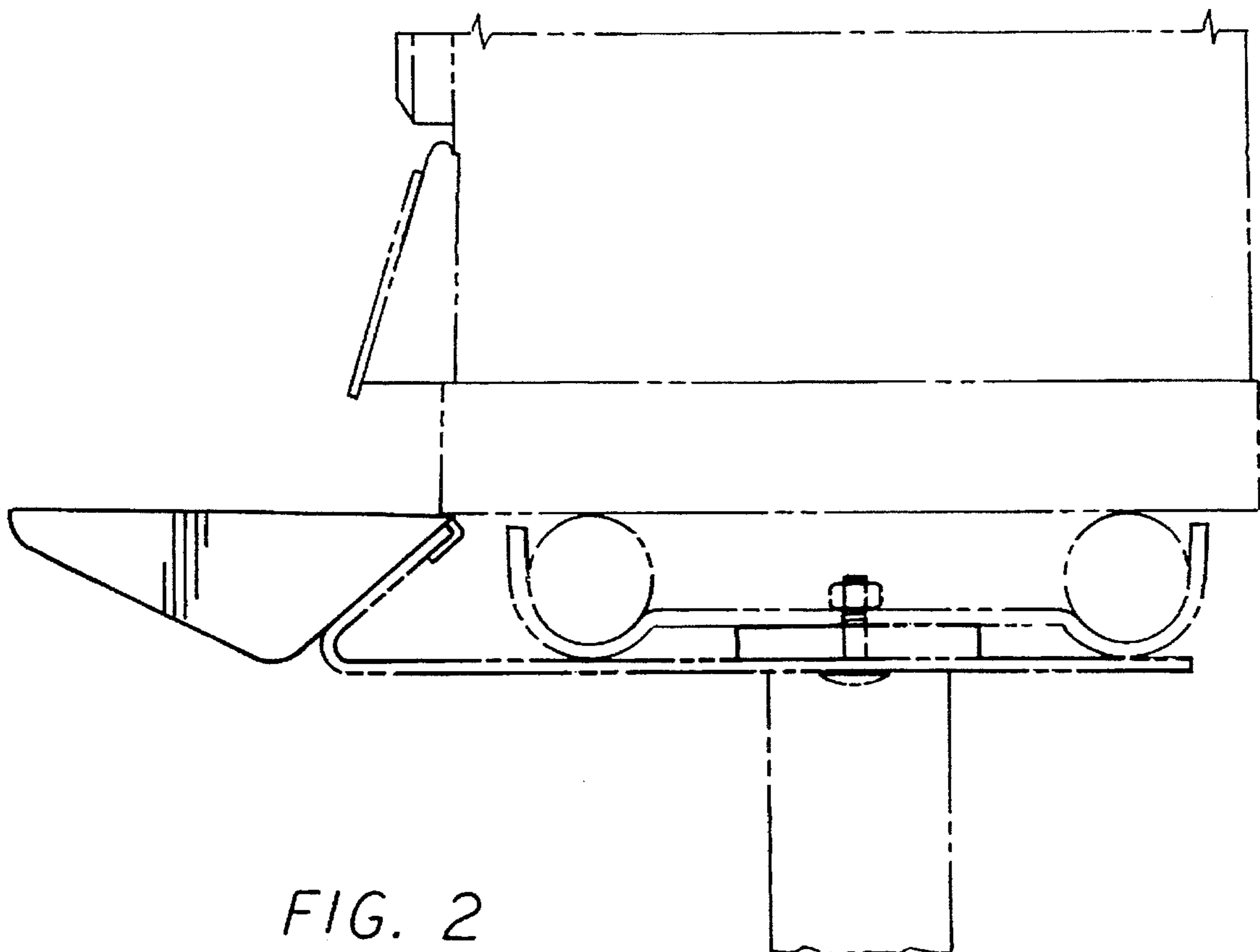
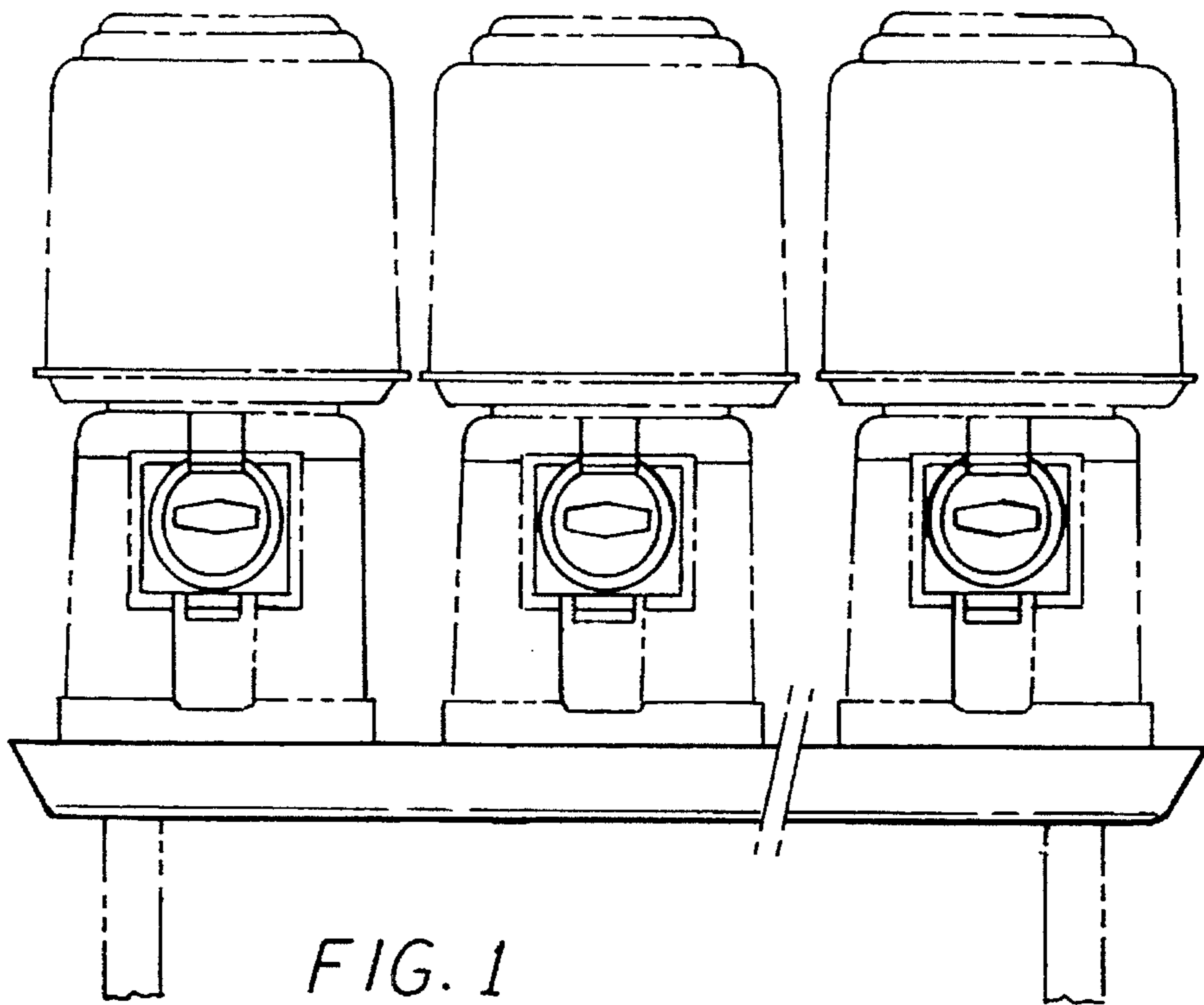
FIG. 8 is a front elevational view of FIG. 2.

The broken line showing of a bulk vending machine is for illustrative purposes only and forms no part of the claimed design.

The broken away section is shown due to indeterminate length.

1 Claim, 4 Drawing Sheets





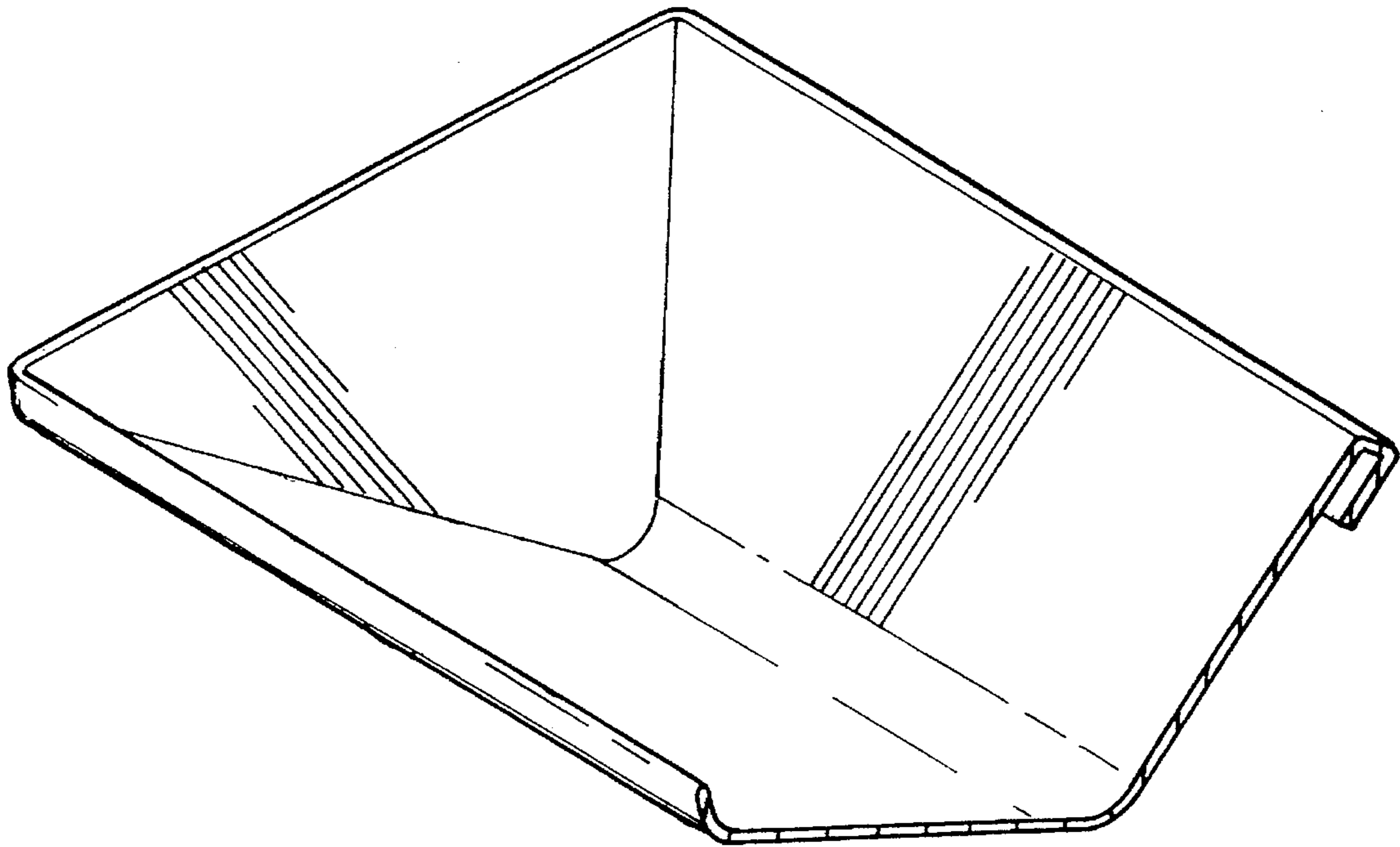


FIG. 3

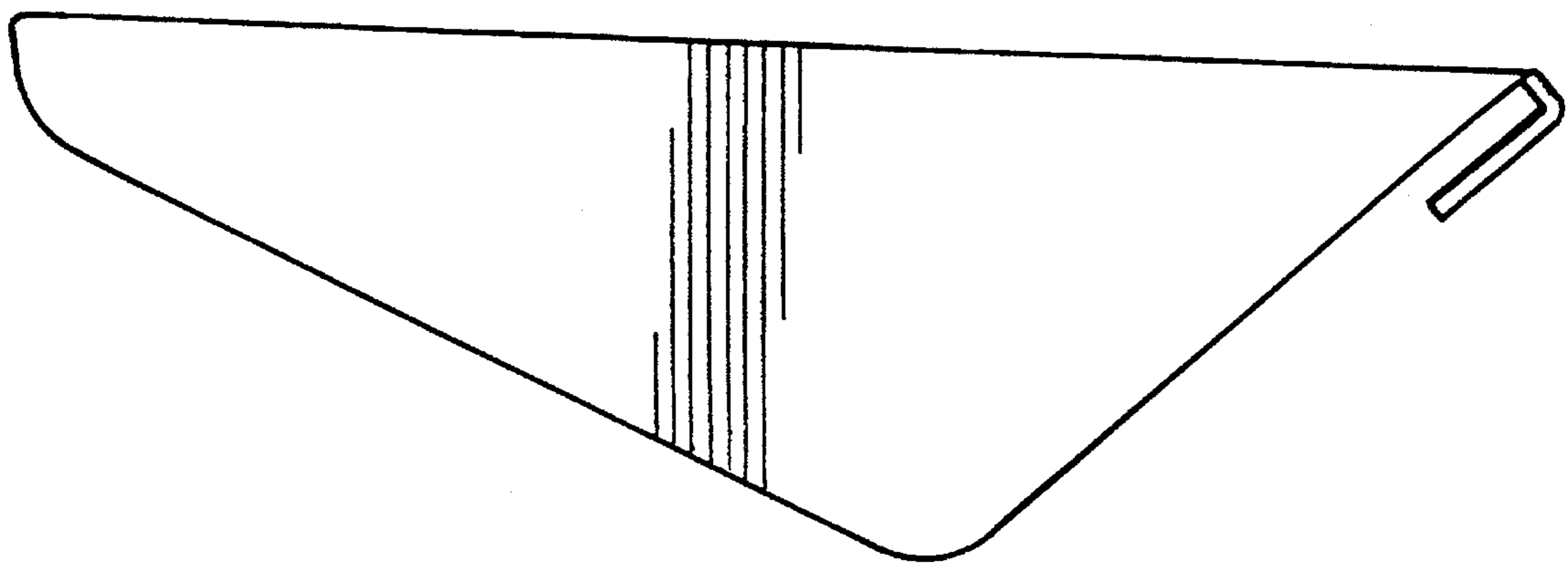


FIG. 4

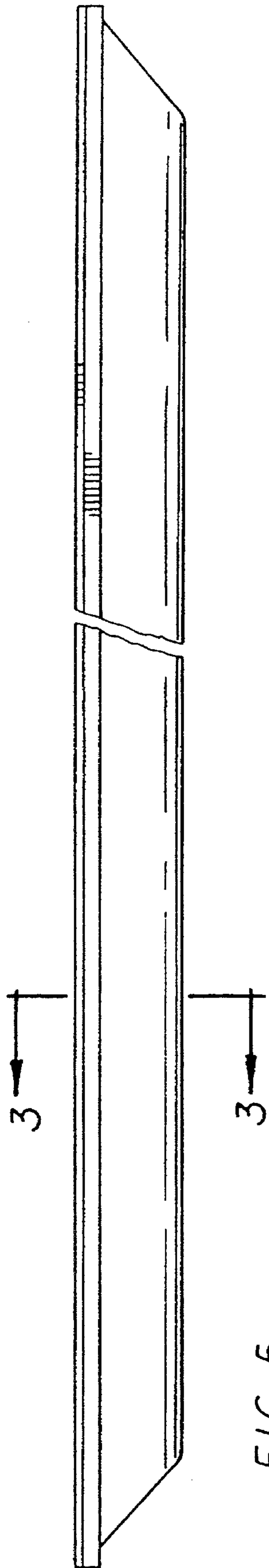


FIG. 5

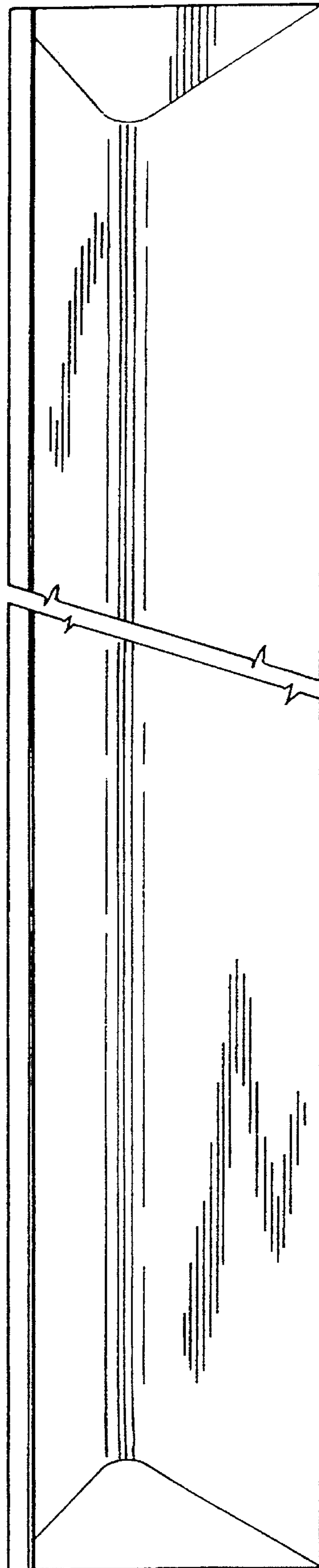


FIG. 6

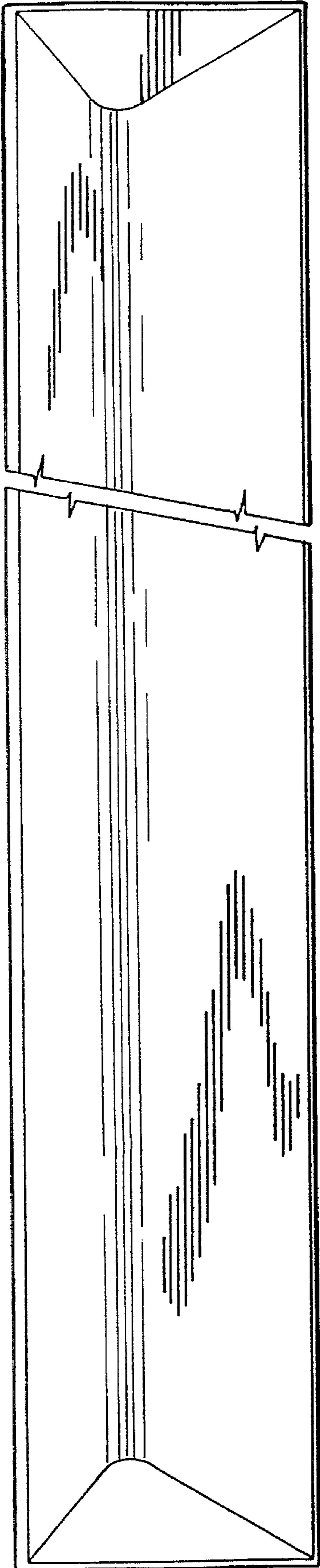


FIG. 7

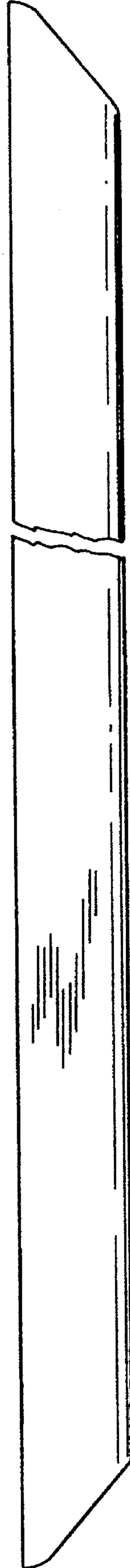


FIG. 8