



US00D378597S

# United States Patent [19] Harden

[11] Patent Number: **Des. 378,597**

[45] Date of Patent: **\*\*Mar. 25, 1997**

[54] **STAMPER**

[75] Inventor: **Dan Harden**, Sunnyvale, Calif.

[73] Assignee: **Shachihata Inc.**, Aichi-ken, Japan

[\*\*] Term: **14 Years**

[21] Appl. No.: **45,230**

[22] Filed: **Oct. 13, 1995**

[30] **Foreign Application Priority Data**

Apr. 13, 1995 [JP] Japan ..... 7-10526

[52] **U.S. Cl.** ..... **D18/14; 101/406**

[58] **Field of Search** ..... D18/16, 17, 15,  
D18/18; 118/246, 264, 265, 270; 101/333,  
334, 327, 405, 406, 371, 372, 373, 376

[56] **References Cited**

**U.S. PATENT DOCUMENTS**

8,388	9/1951	Ruggles	101/406
13,470	8/1855	Ruggles	101/406 X
41,597	2/1864	Bogia	101/406 X
D. 145,514	9/1946	Duke	D18/15
D. 209,874	1/1968	Anderson	D18/15
D. 272,363	1/1984	Matsumuro	D18/16
D. 280,643	9/1985	Ichikawa	D18/18 X

**OTHER PUBLICATIONS**

Royal Mark Catalog, Bottom Center, Copyright 1991.

*Primary Examiner*—Louis S. Zarfes

*Assistant Examiner*—Frank Martinez

*Attorney, Agent, or Firm*—Keck, Mahin & Cate

[57] **CLAIM**

The ornamental design for a stamper, as shown and described.

**DESCRIPTION**

FIG. 1 is a perspective view of a stamper embodying my design;

FIG. 2 is a front elevational view of the stamper of FIG. 1;

FIG. 3 is a rear elevational view thereof;

FIG. 4 is a right side elevational view thereof;

FIG. 5 is a top plan view thereof;

FIG. 6 is a bottom plan view thereof;

FIG. 7 is a longitudinal enlarged cross-sectional view of the stamper taken along line 7—7 of FIG. 2;

FIG. 8 is an enlarged cross-sectional view of the stamper taken along line 8—8 of FIG. 2; and,

FIG. 9 is an enlarged cross-sectional view of the stamper taken along line 9—9 of FIG. 4.

**1 Claim, 2 Drawing Sheets**

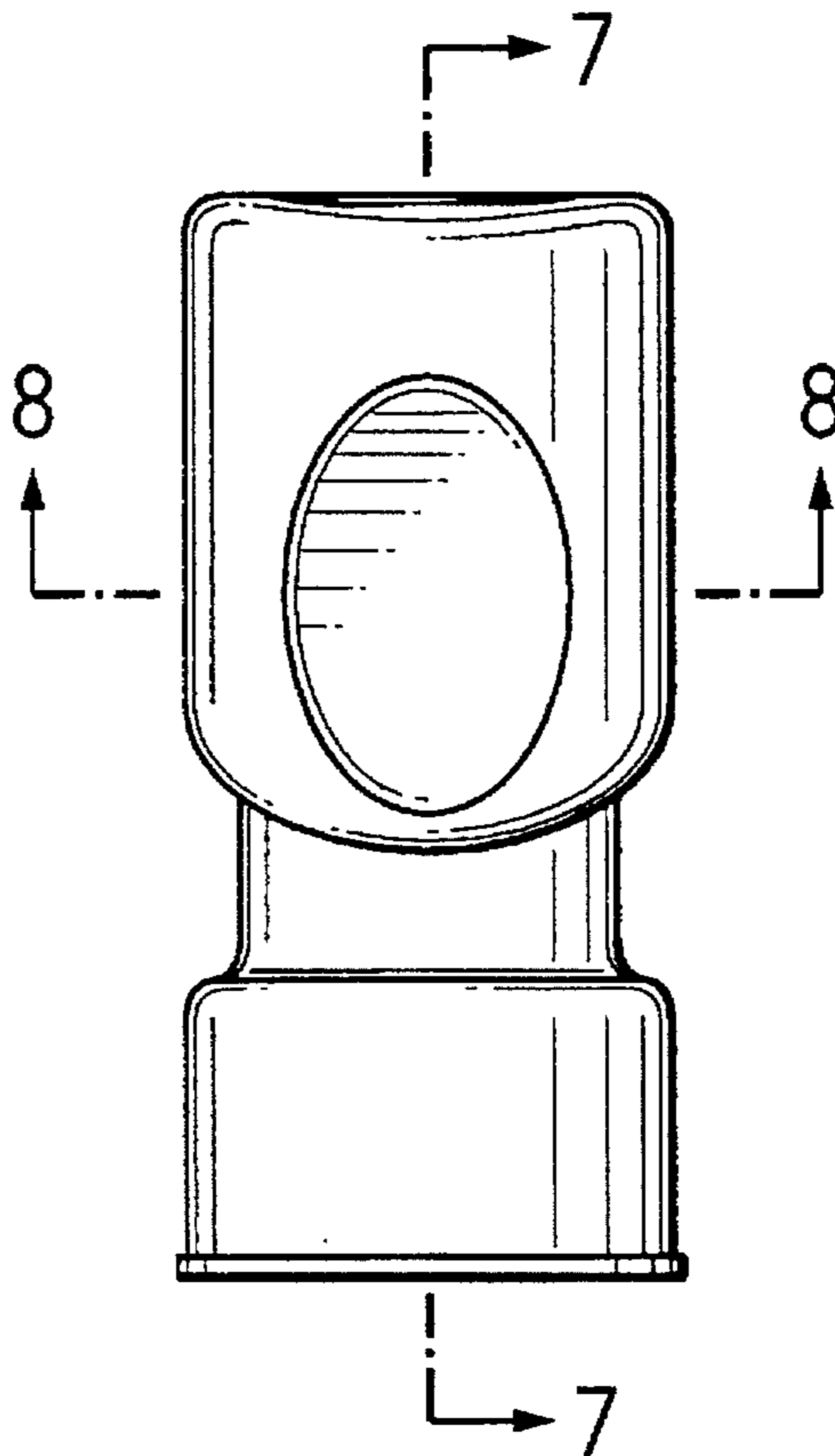
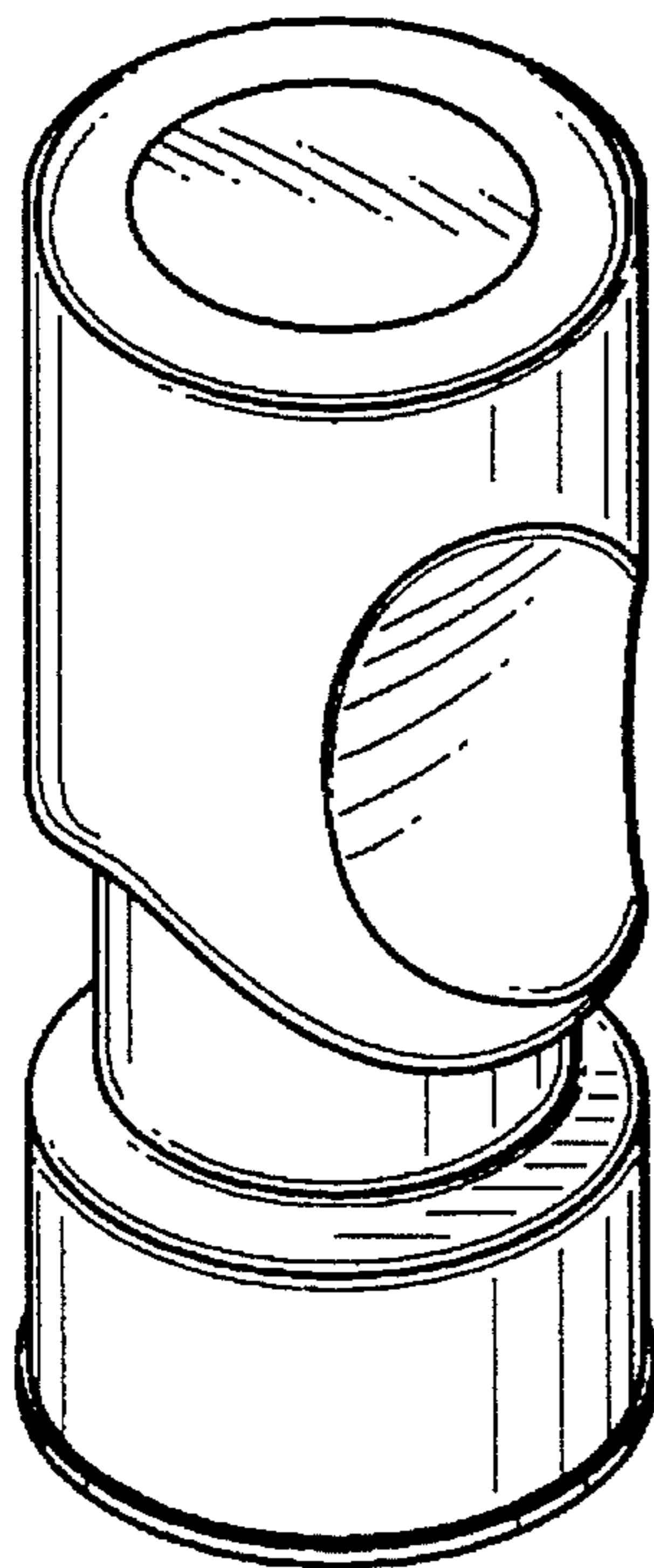


FIG. 1

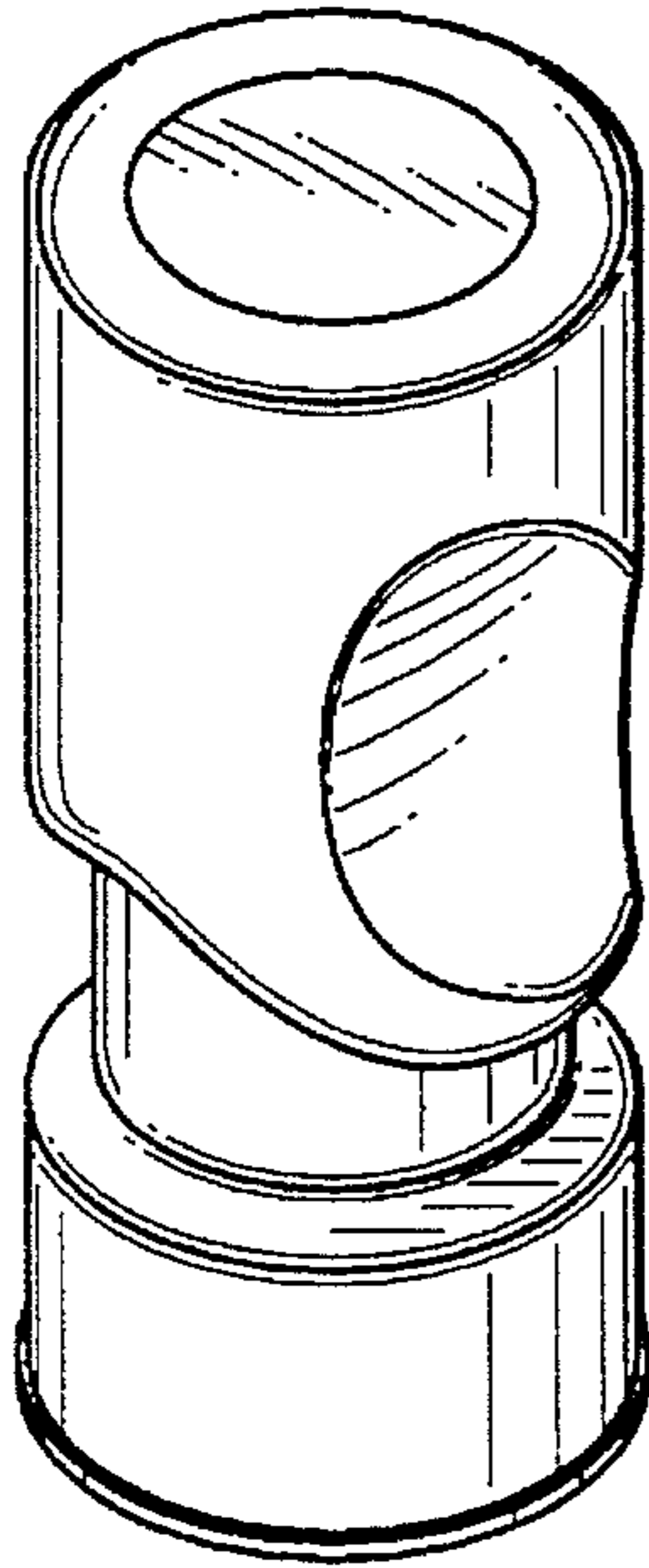


FIG. 2

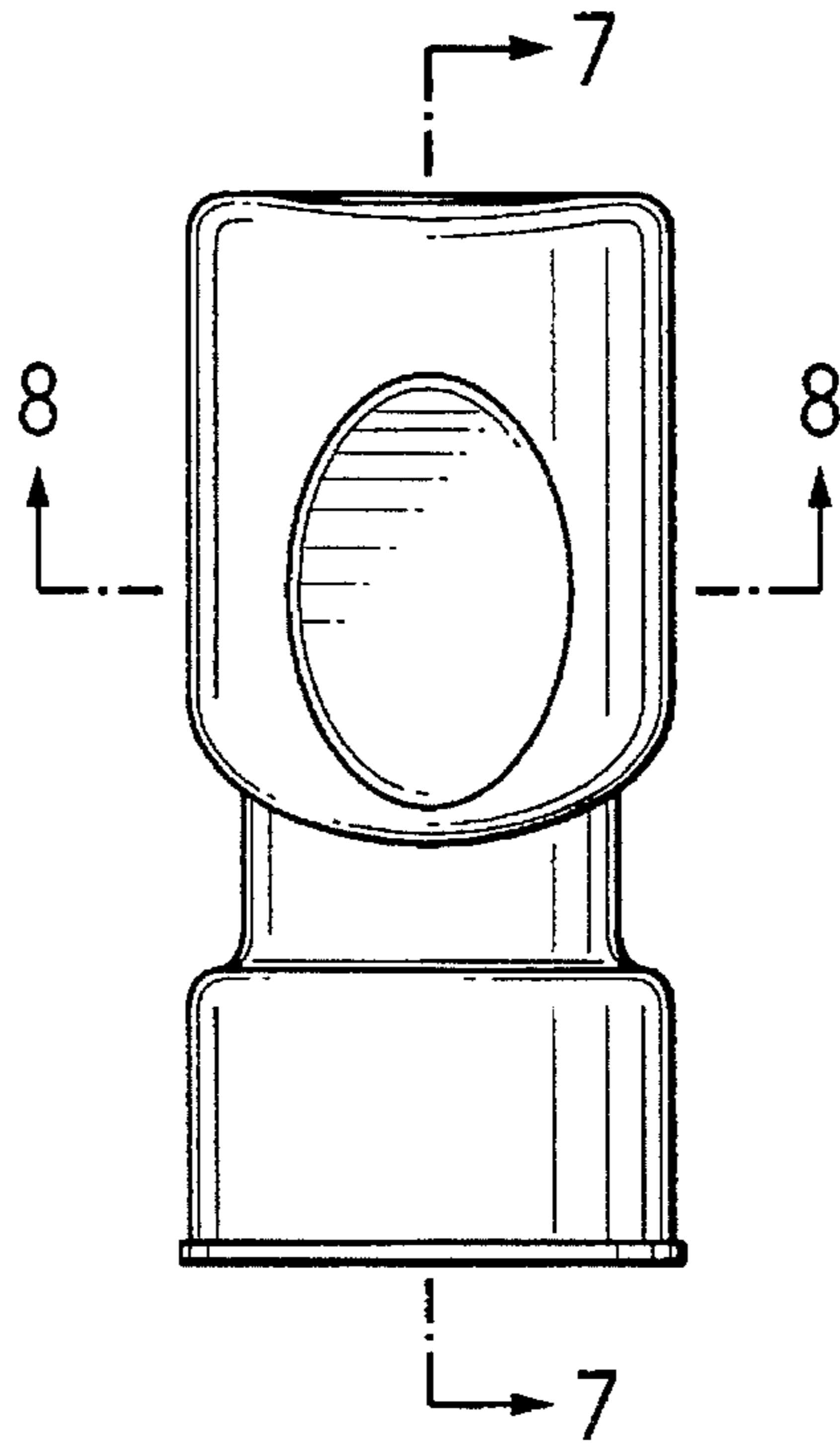


FIG. 3

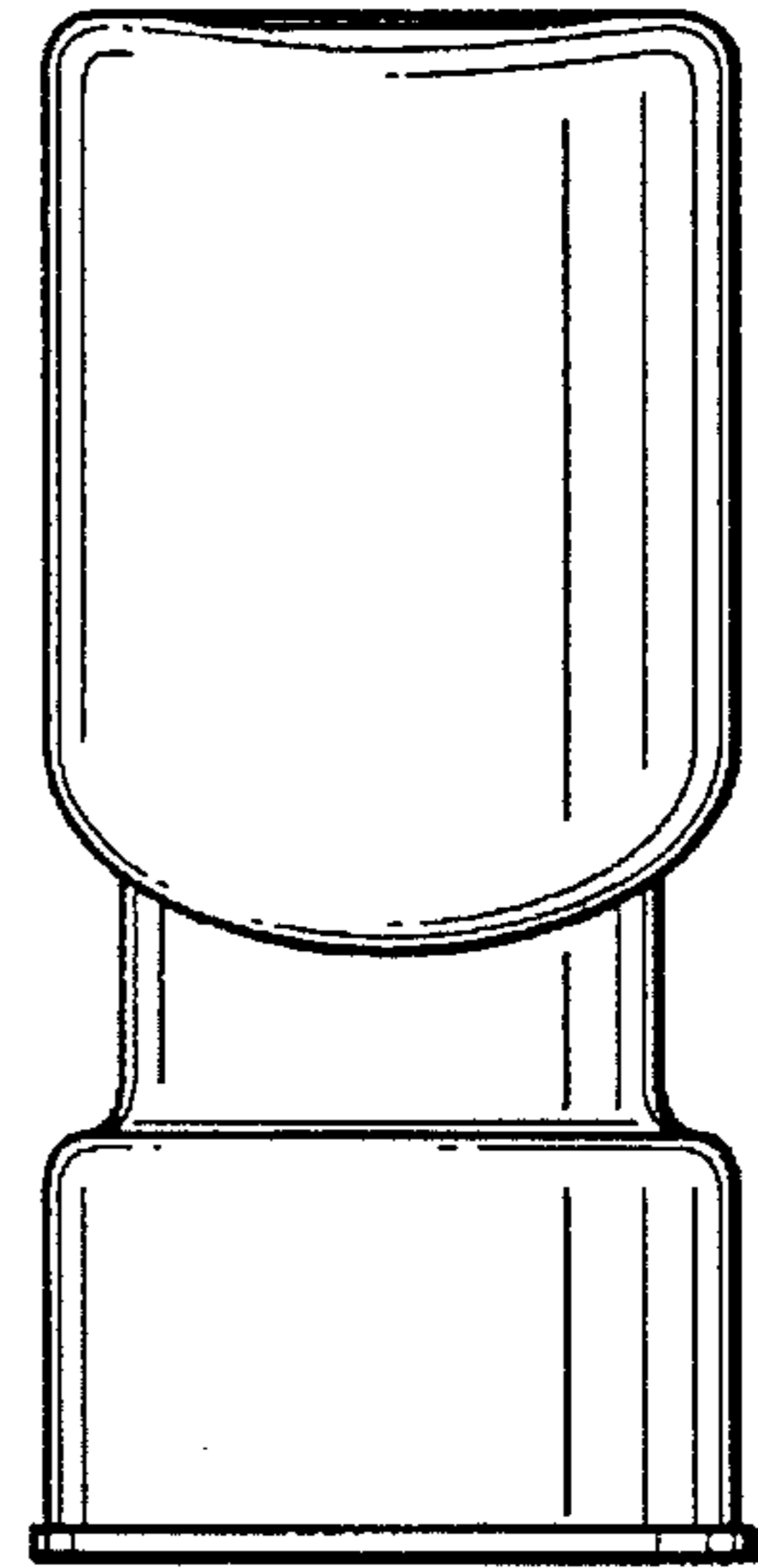


FIG. 4

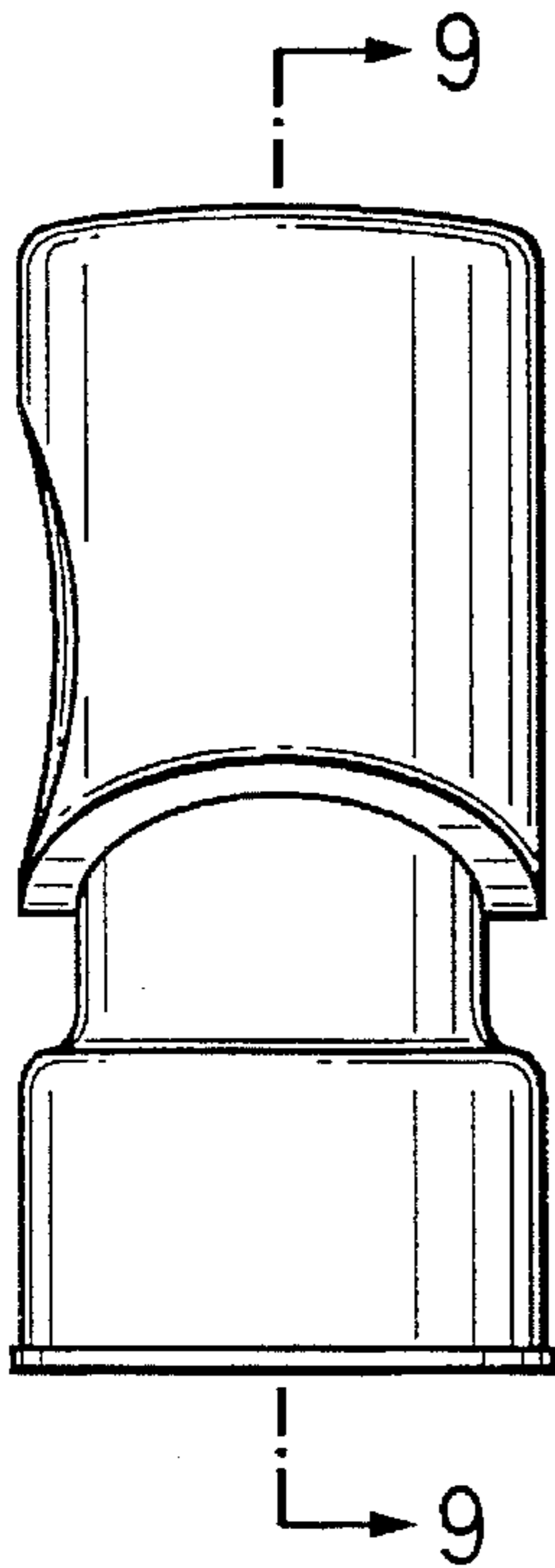


FIG. 5

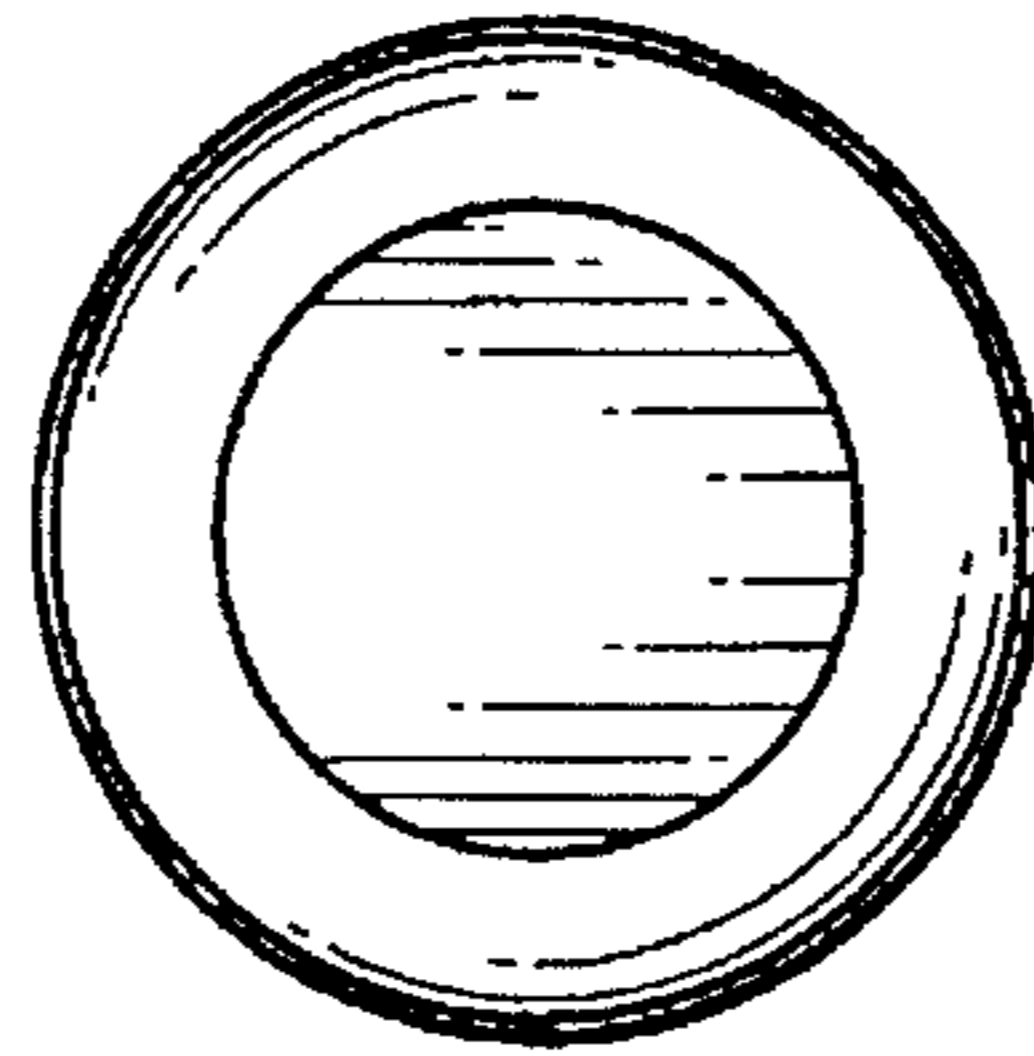


FIG. 6

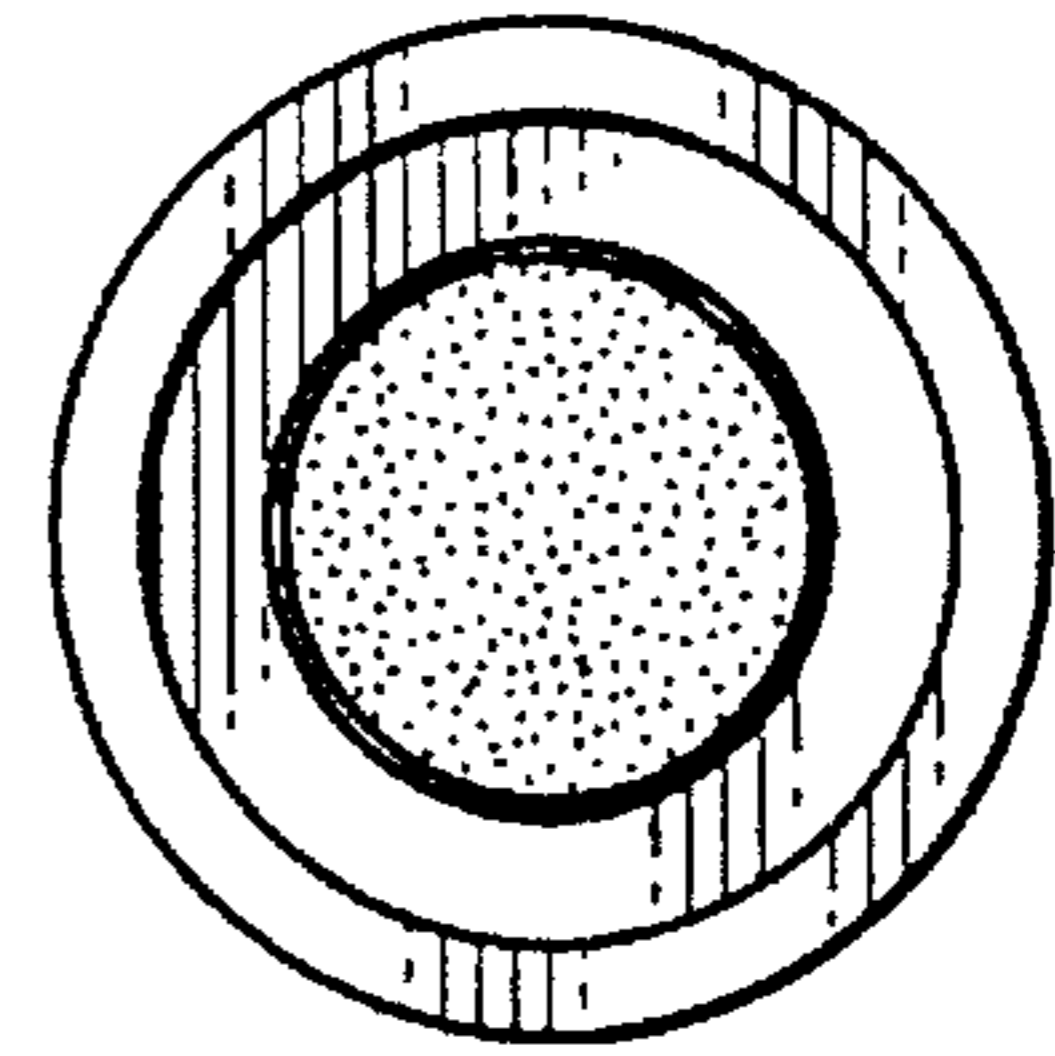


FIG. 7

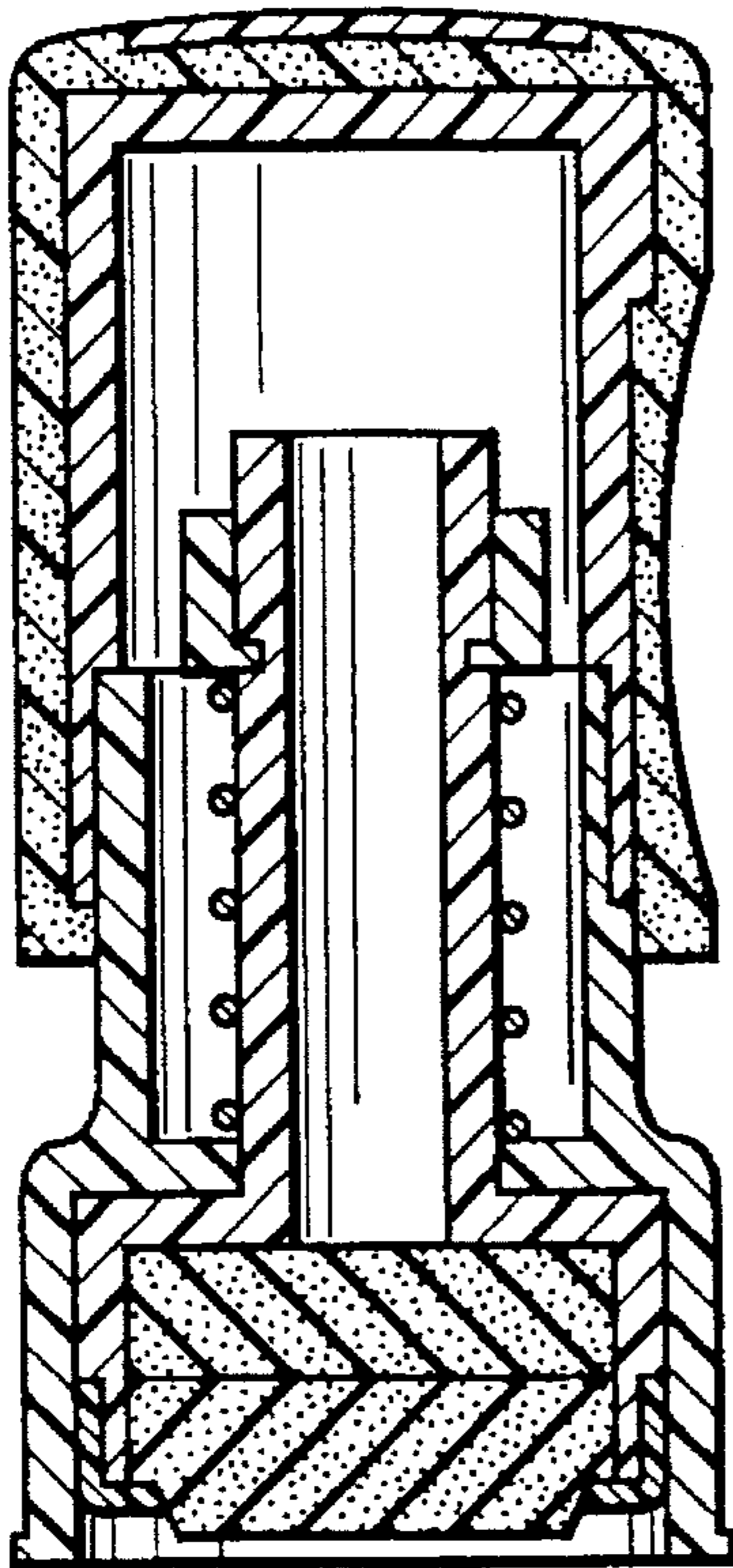


FIG. 9

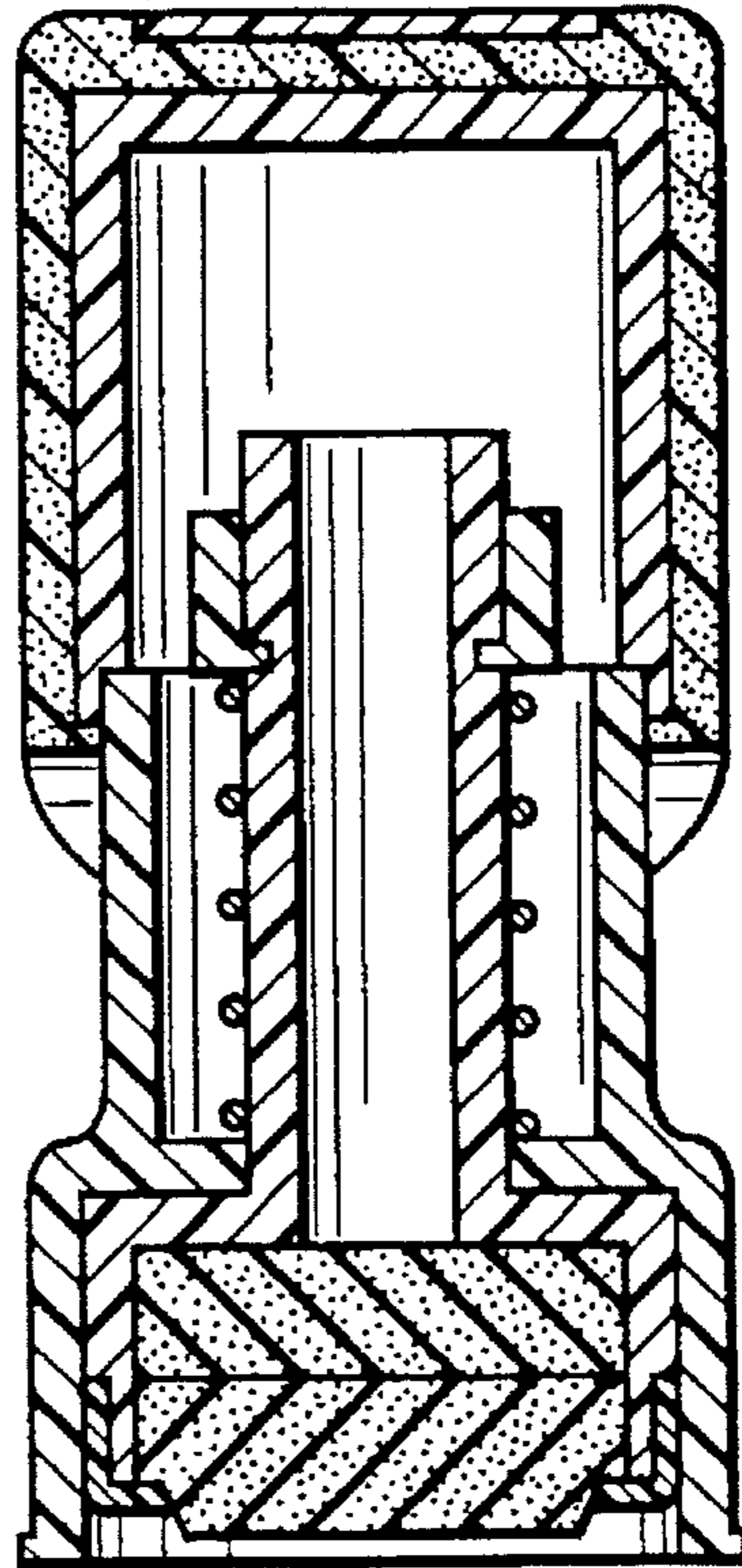


FIG. 8

