



US00D378594S

# United States Patent [19]

McBride et al.

[11] Patent Number: **Des. 378,594**

[45] Date of Patent: **\*\*Mar. 25, 1997**

[54] CAMERA WITH FOLDING FLASH

[75] Inventors: **John K. McBride; Gary K. Smithborne**, both of Rochester, N.Y.

[73] Assignee: **Eastman Kodak Company**, Rochester, N.Y.

[\*] Notice: The portion of the term of this patent subsequent to Jun. 18, 2010, has been disclaimed.

[\*\*] Term: **14 Years**

[21] Appl. No.: **40,909**

[22] Filed: **Jun. 29, 1995**

[52] U.S. Cl. .... **D16/209; D16/211**

[58] Field of Search ..... D16/200-205, D16/208, 209, 211, 216, 217, 218; 354/126, 127.11, 149.11, 187, 145.1, 288

### [56] References Cited

#### U.S. PATENT DOCUMENTS

D. 285,208	8/1986	Nakayama .....	D16/209
D. 306,036	2/1990	Nakayama et al. ....	D16/209
D. 311,546	10/1990	Leonard et al. ....	D16/209
D. 358,831	5/1995	Kozu .....	D16/209
4,319,818	3/1982	Sawara .....	354/145.1
5,212,510	5/1993	Baxter .....	354/187

Primary Examiner—Ted Shooman  
Assistant Examiner—Adir Aronovich  
Attorney, Agent, or Firm—Roger A. Fields

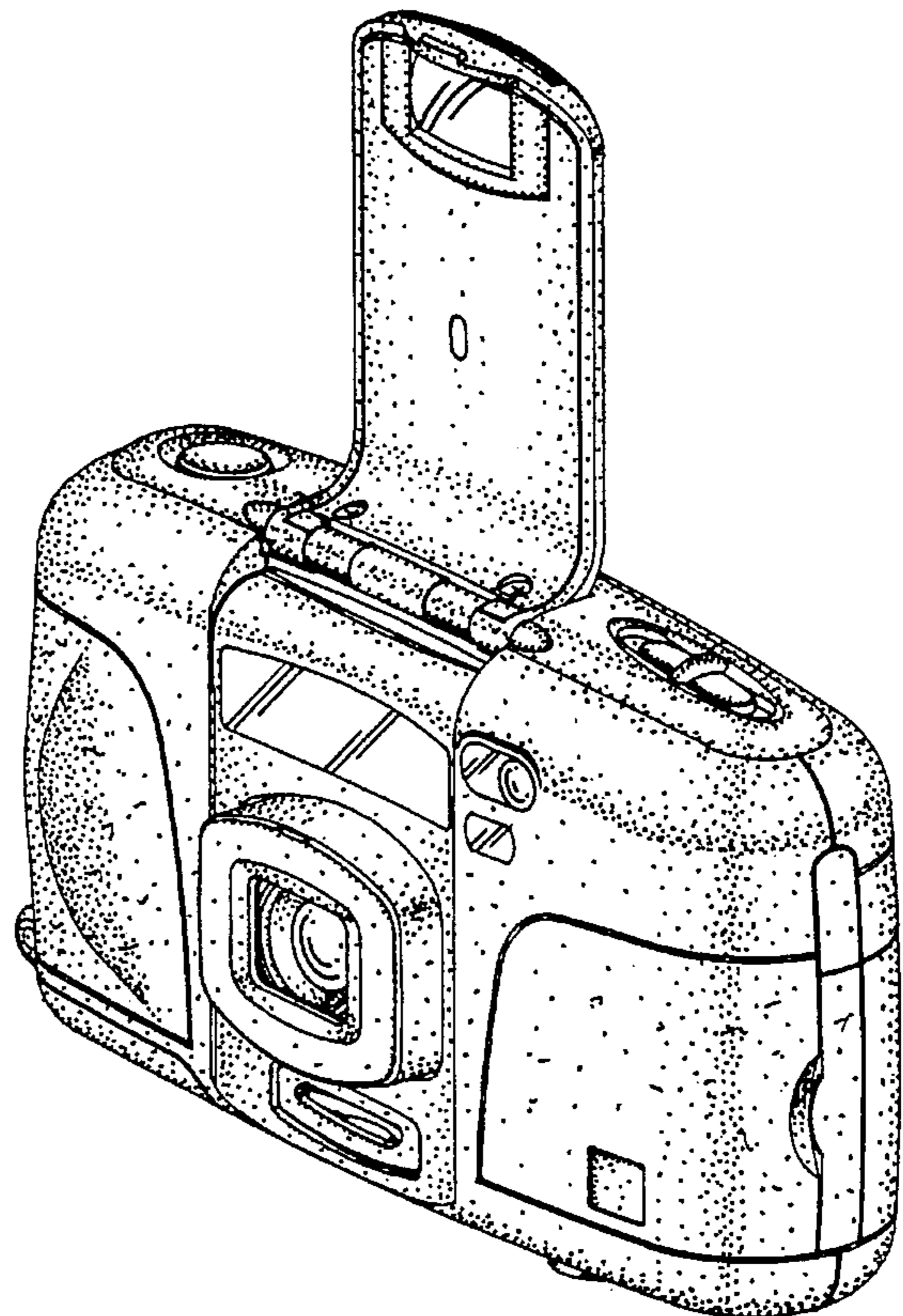
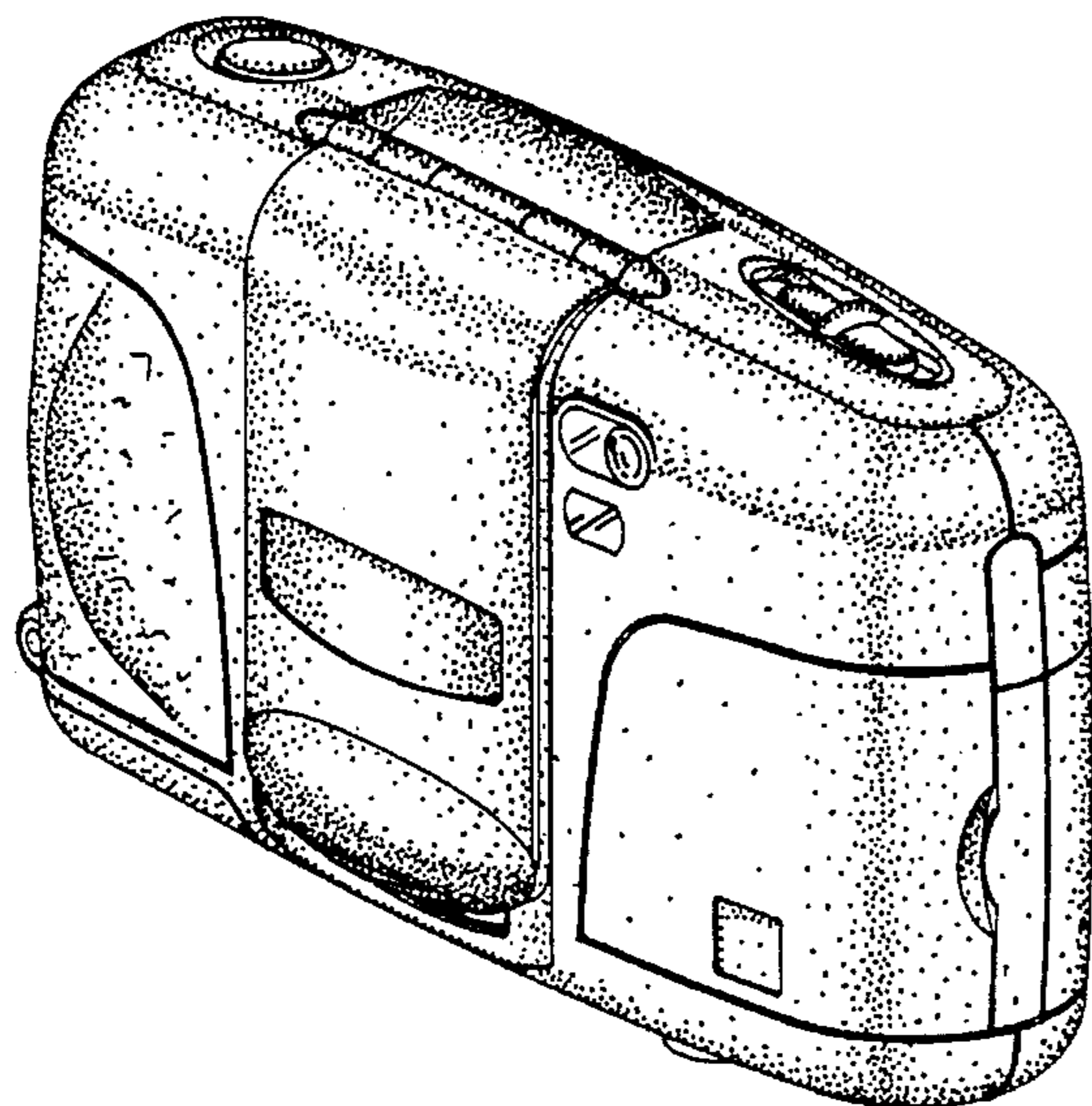
### [57] CLAIM

The ornamental design for a camera with folding flash, as shown.

### DESCRIPTION

FIG. 1 is a front, top, right-side perspective view of a camera with a folding flash in a folded position, showing our new design;  
 FIG. 2 is a rear, bottom, left-side perspective view thereof;  
 FIG. 3 is a front elevation view thereof;  
 FIG. 4 is a rear elevation view thereof;  
 FIG. 5 is a right-side elevation view thereof;  
 FIG. 6 is a left-side elevation view thereof;  
 FIG. 7 is a top plan view thereof;  
 FIG. 8 is a bottom plan view thereof;  
 FIG. 9 is a front, top, right-side perspective view thereof, with the folding flash in a unfolded position;  
 FIG. 10 is a rear, bottom, left-side perspective view thereof;  
 FIG. 11 is a front elevation view thereof;  
 FIG. 12 is a rear elevation view thereof;  
 FIG. 13 is a right-side elevation view thereof;  
 FIG. 14 is a left-side elevation view thereof;  
 FIG. 15 is a top plan view thereof; and,  
 FIG. 16 is a bottom plan view thereof.

**1 Claim, 16 Drawing Sheets**



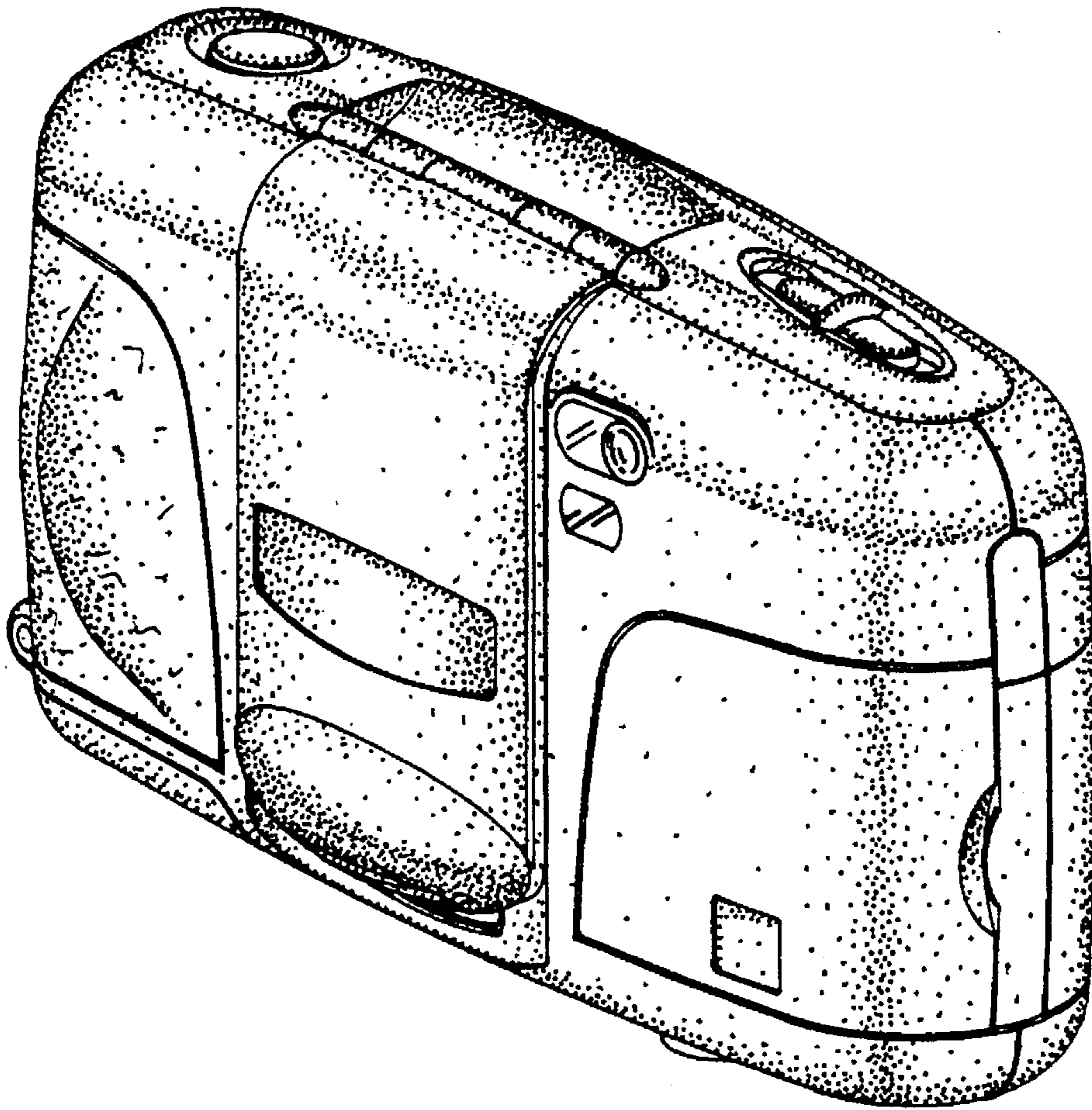
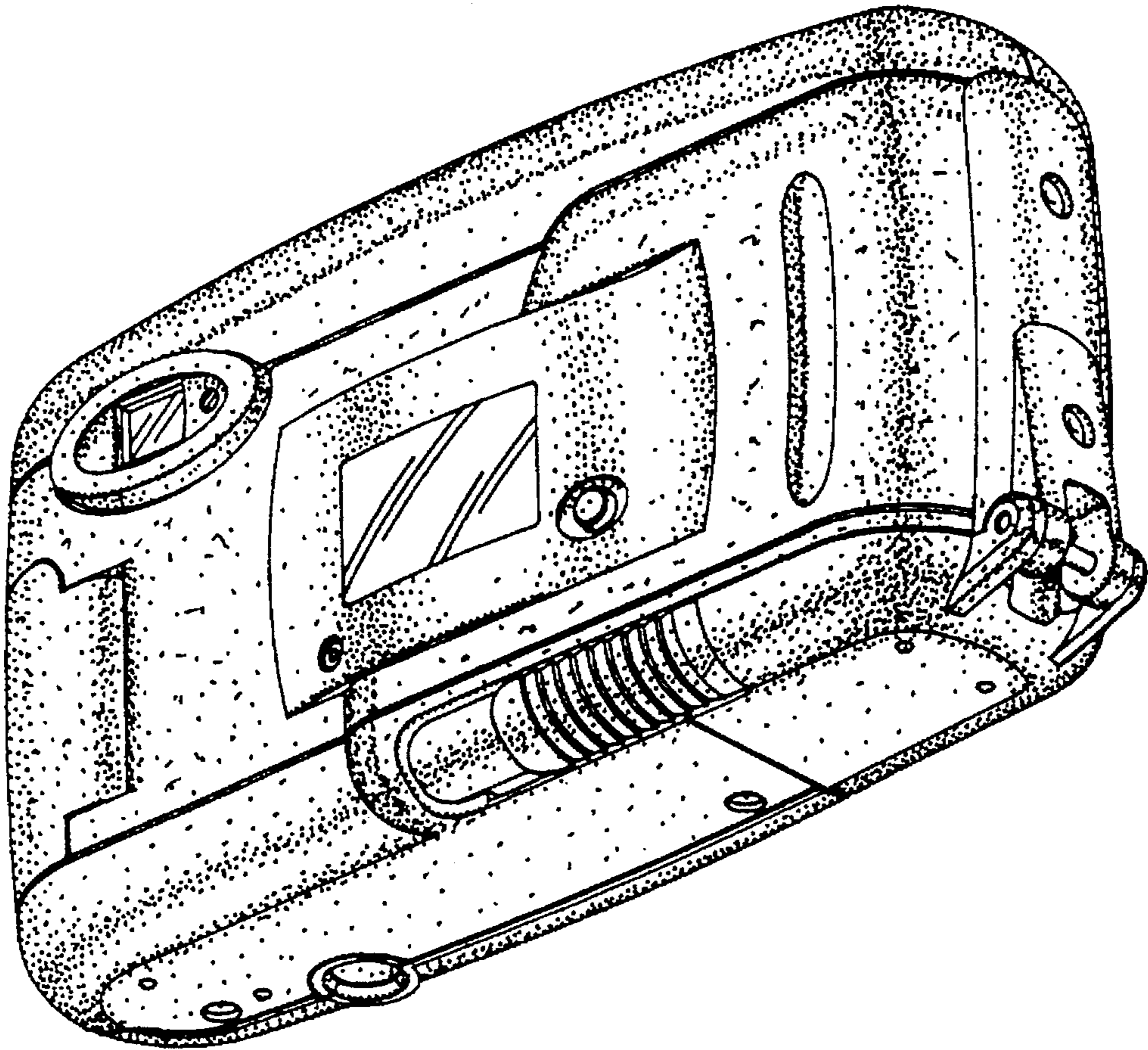


FIG. 1



*FIG. 2*

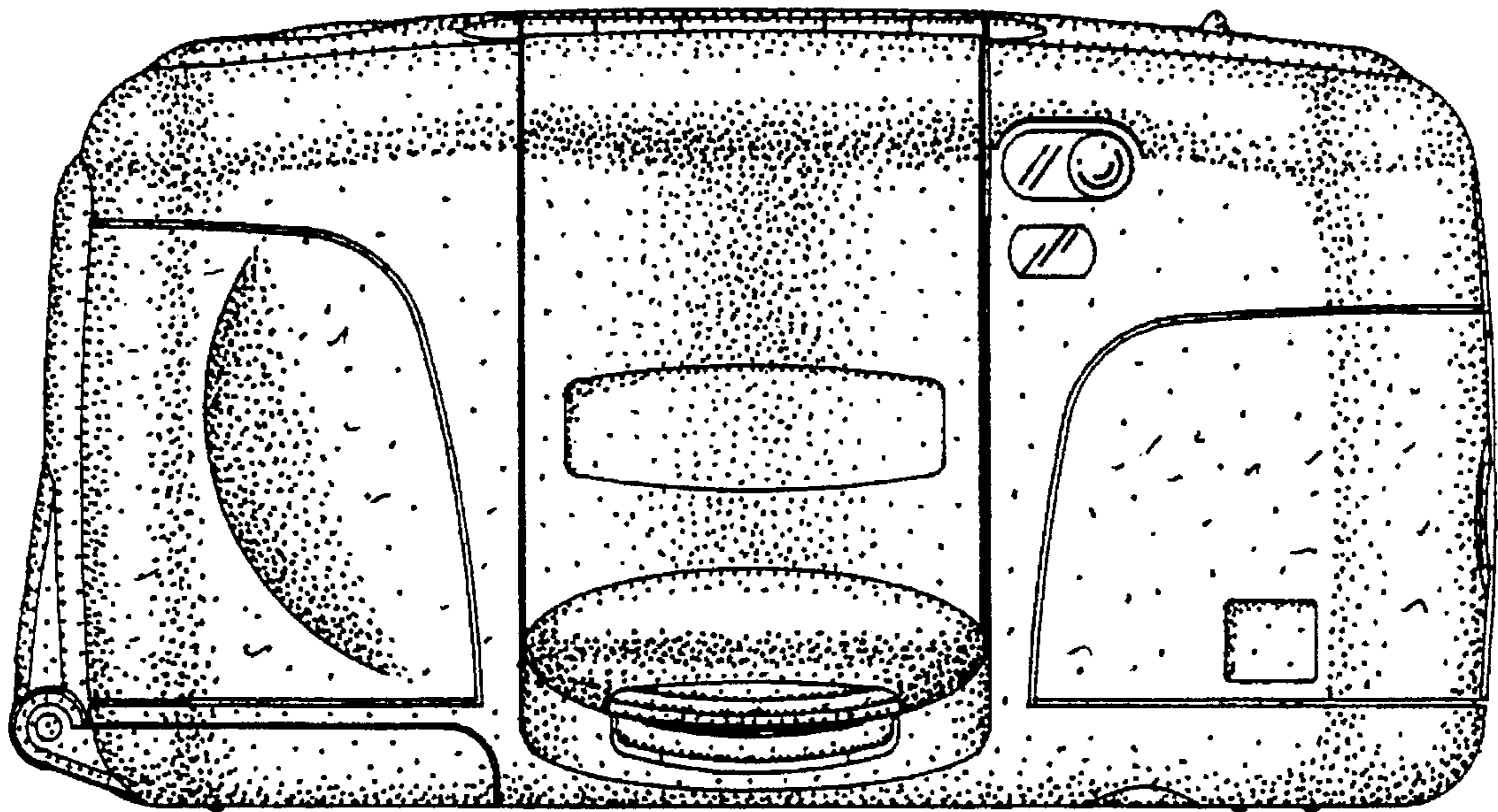


FIG. 3

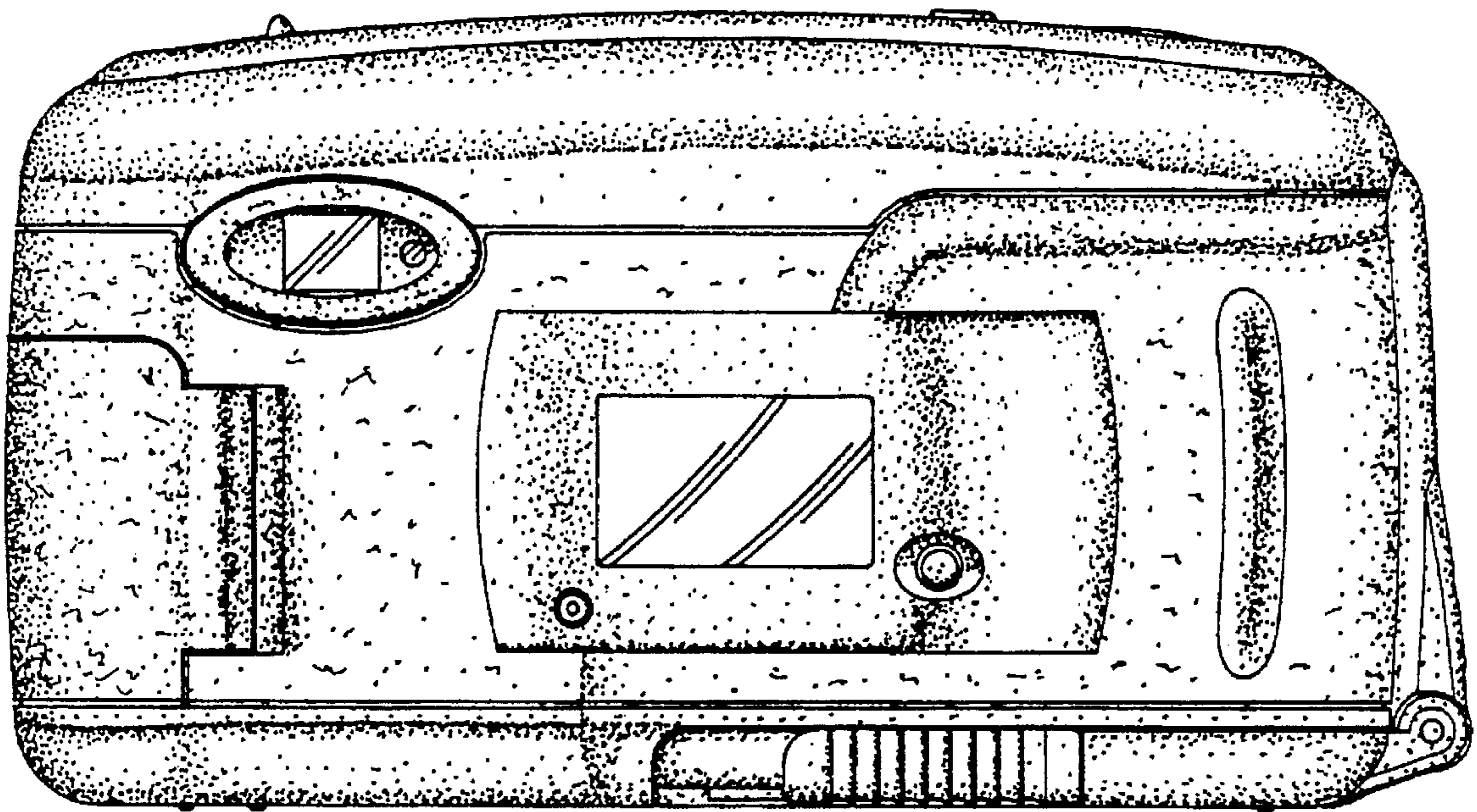


FIG. 4

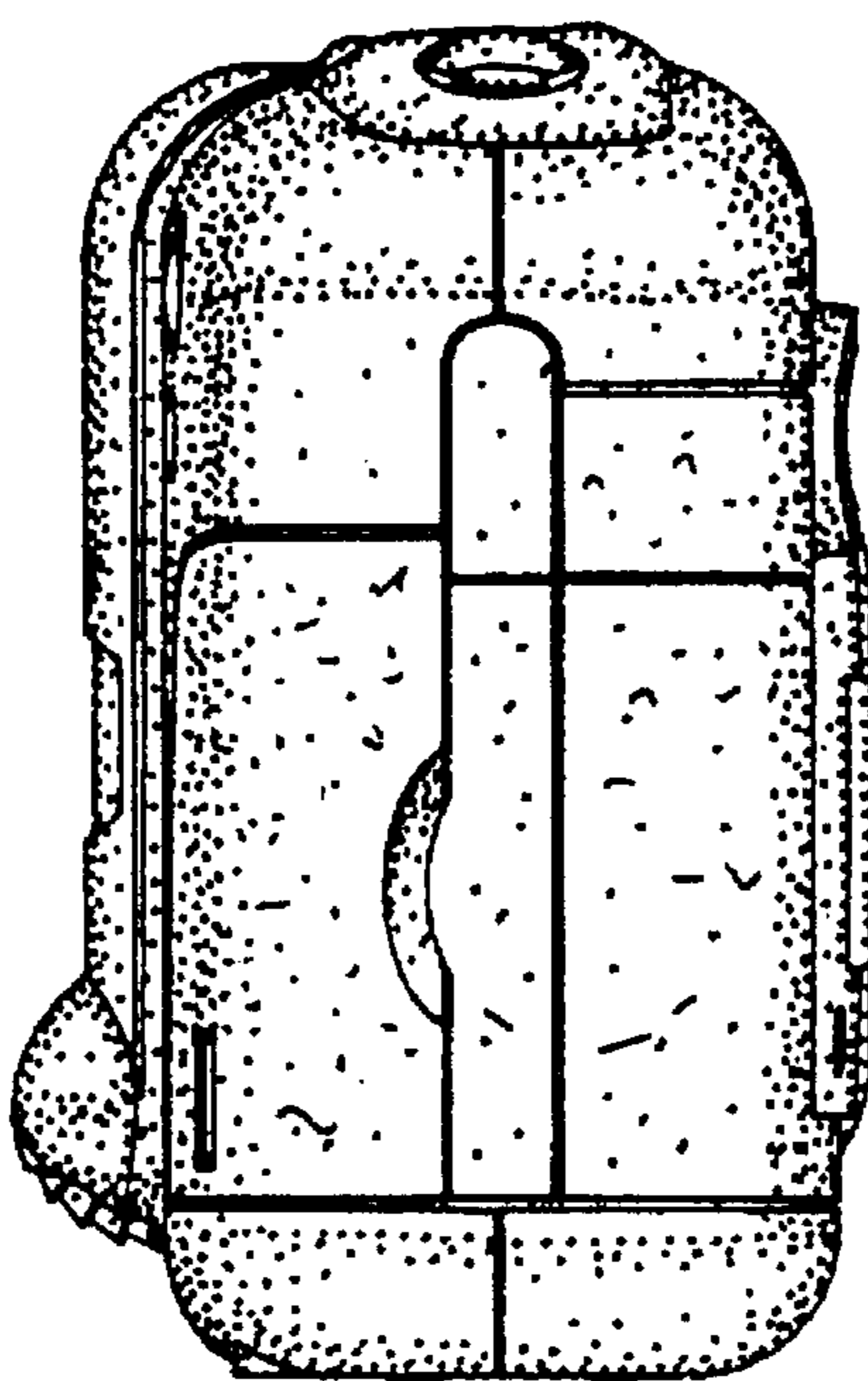


FIG. 5

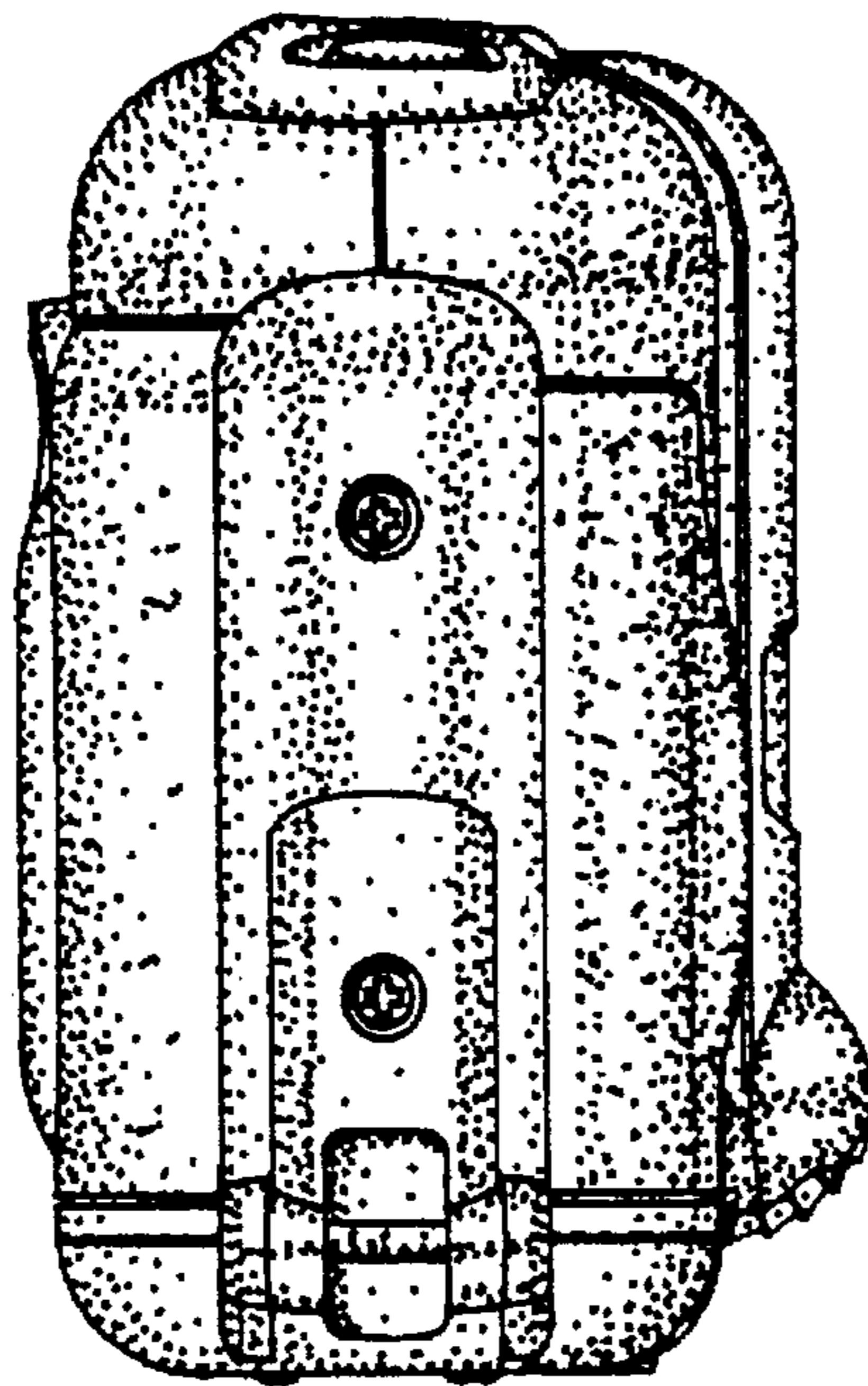


FIG. 6

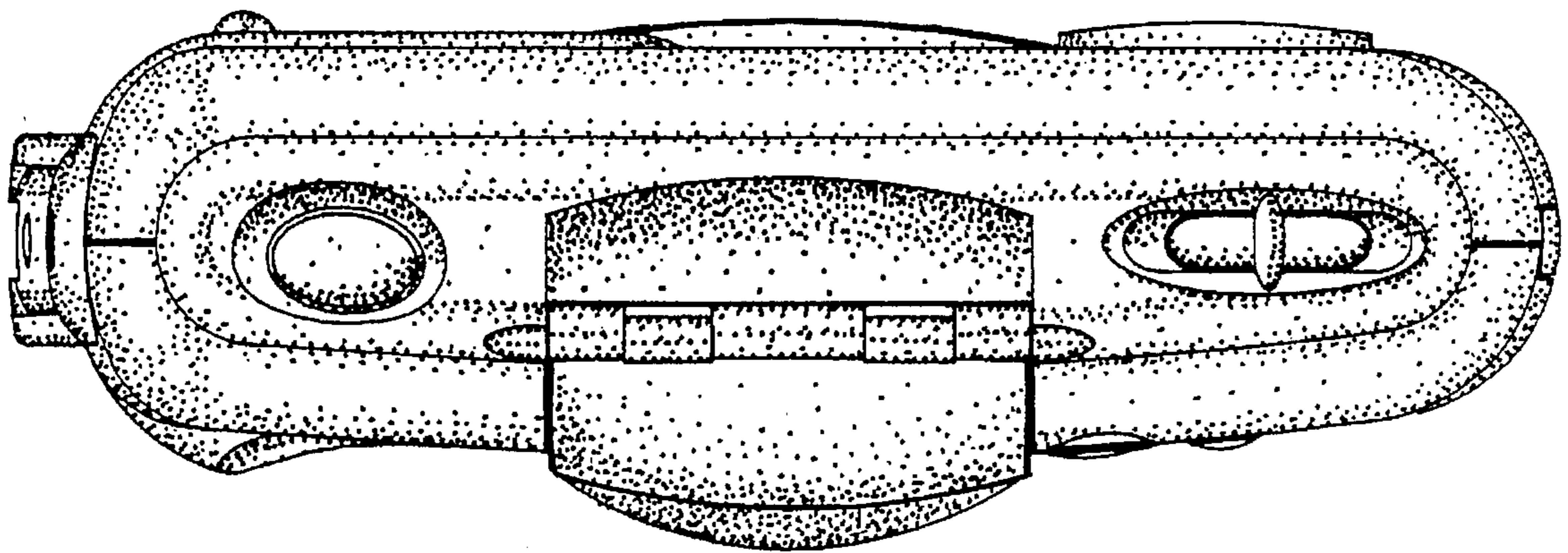


FIG. 7



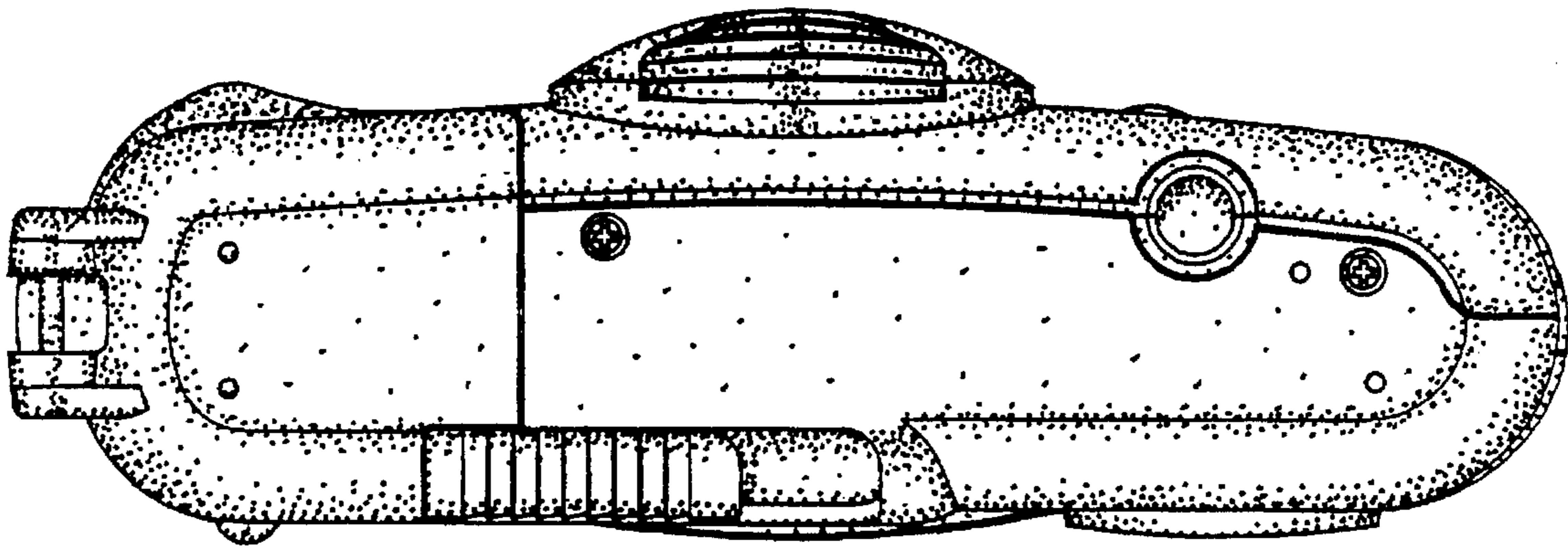


FIG. 8

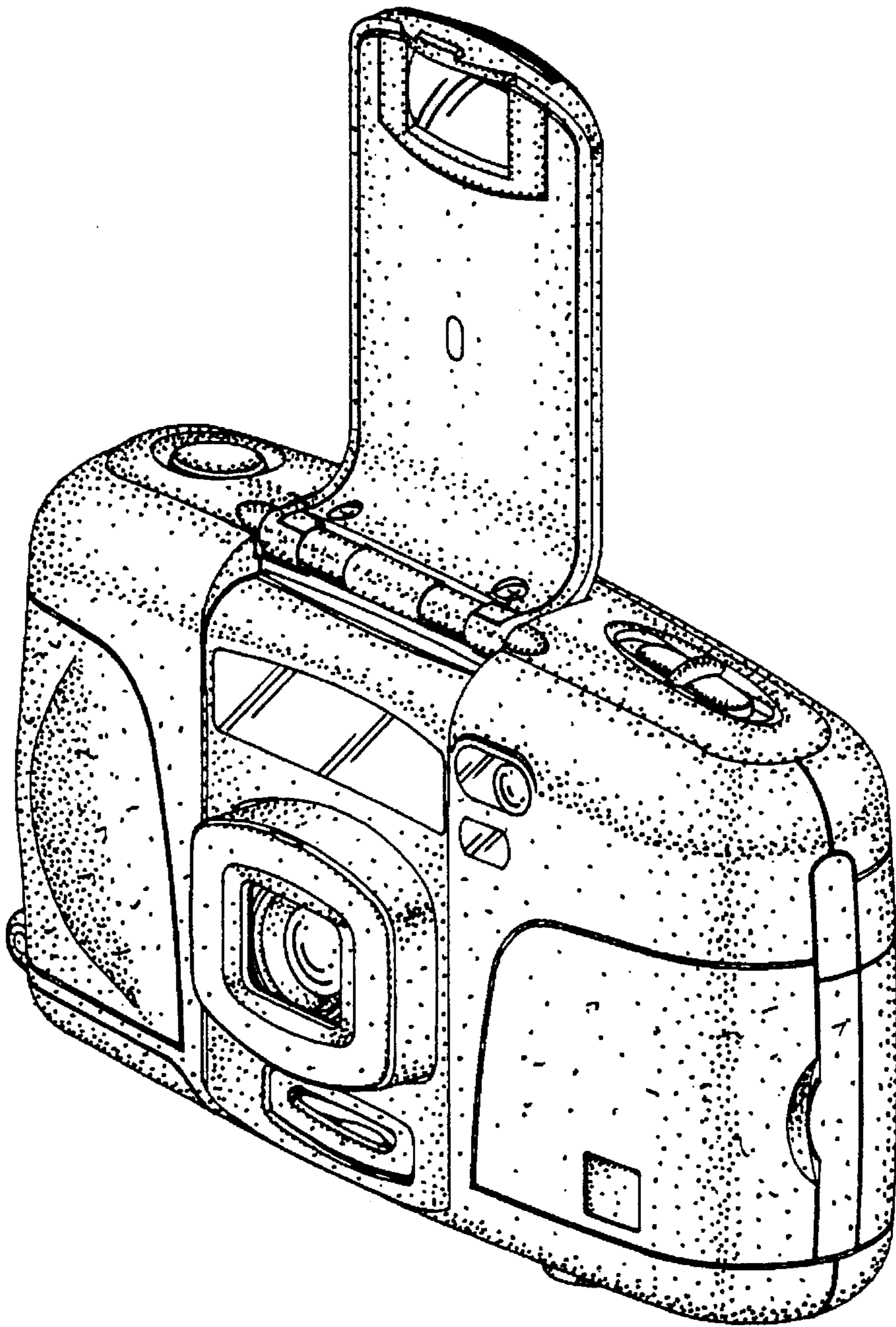


FIG. 9

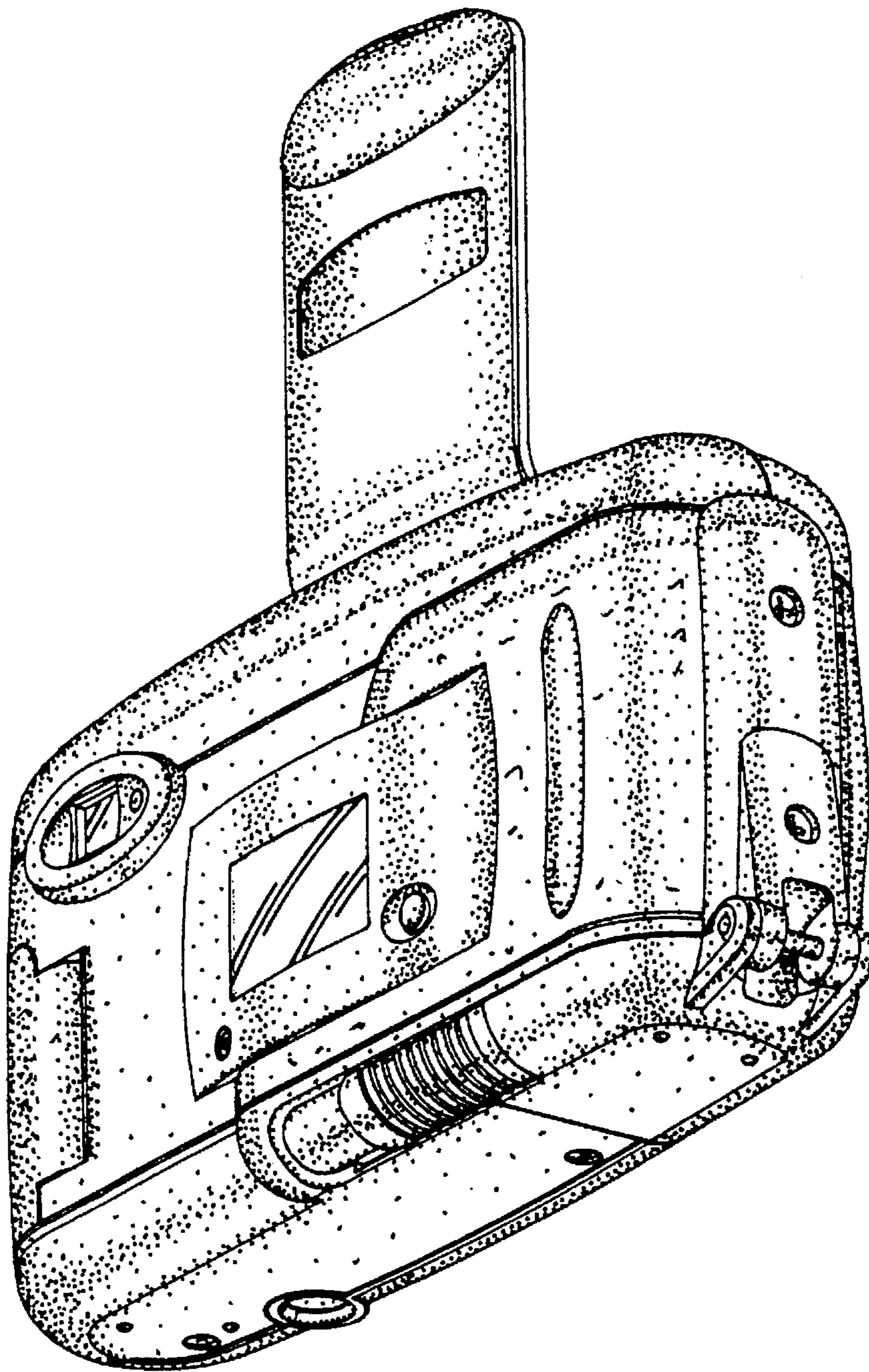
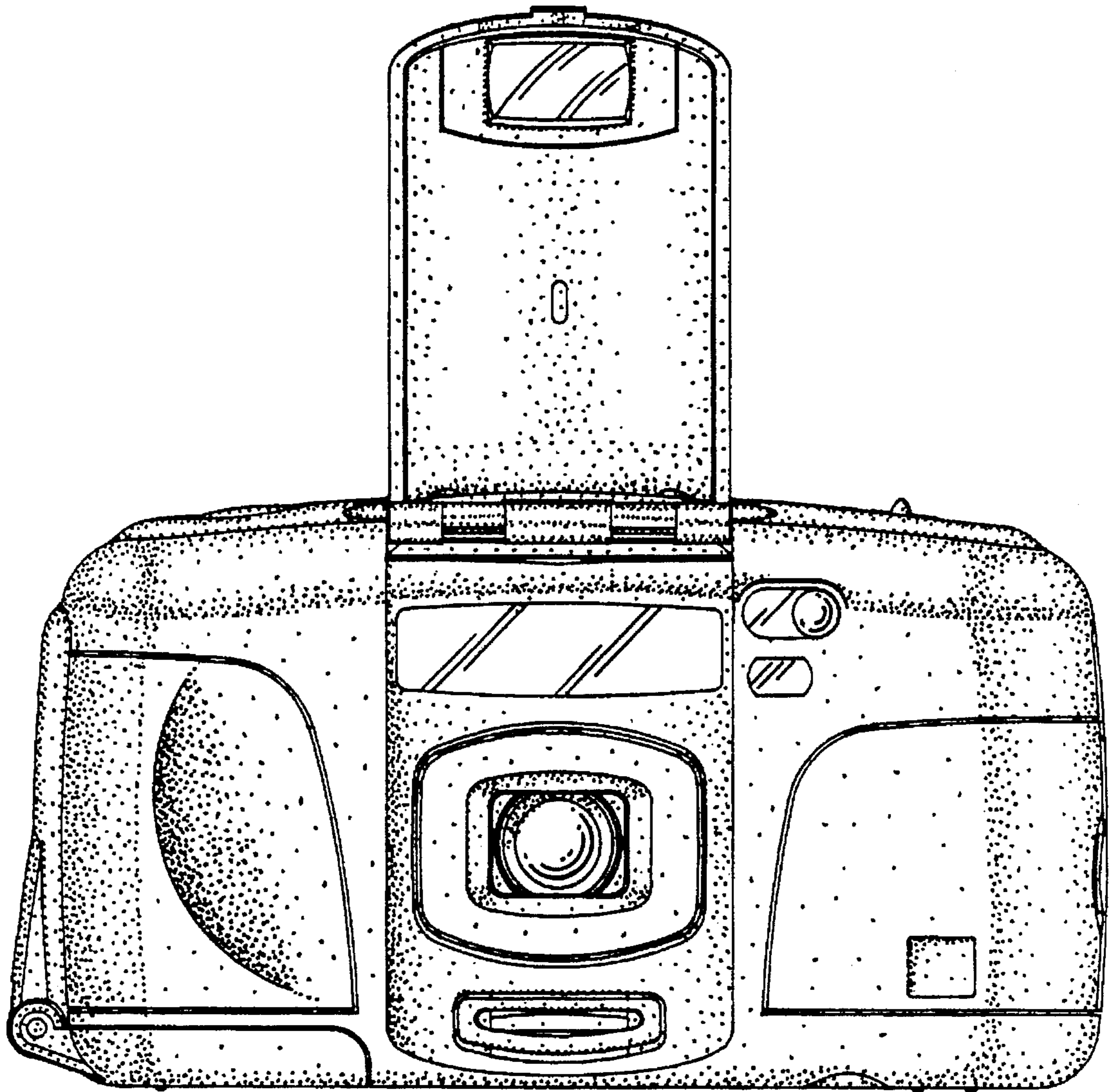


FIG. 10



*FIG. II*

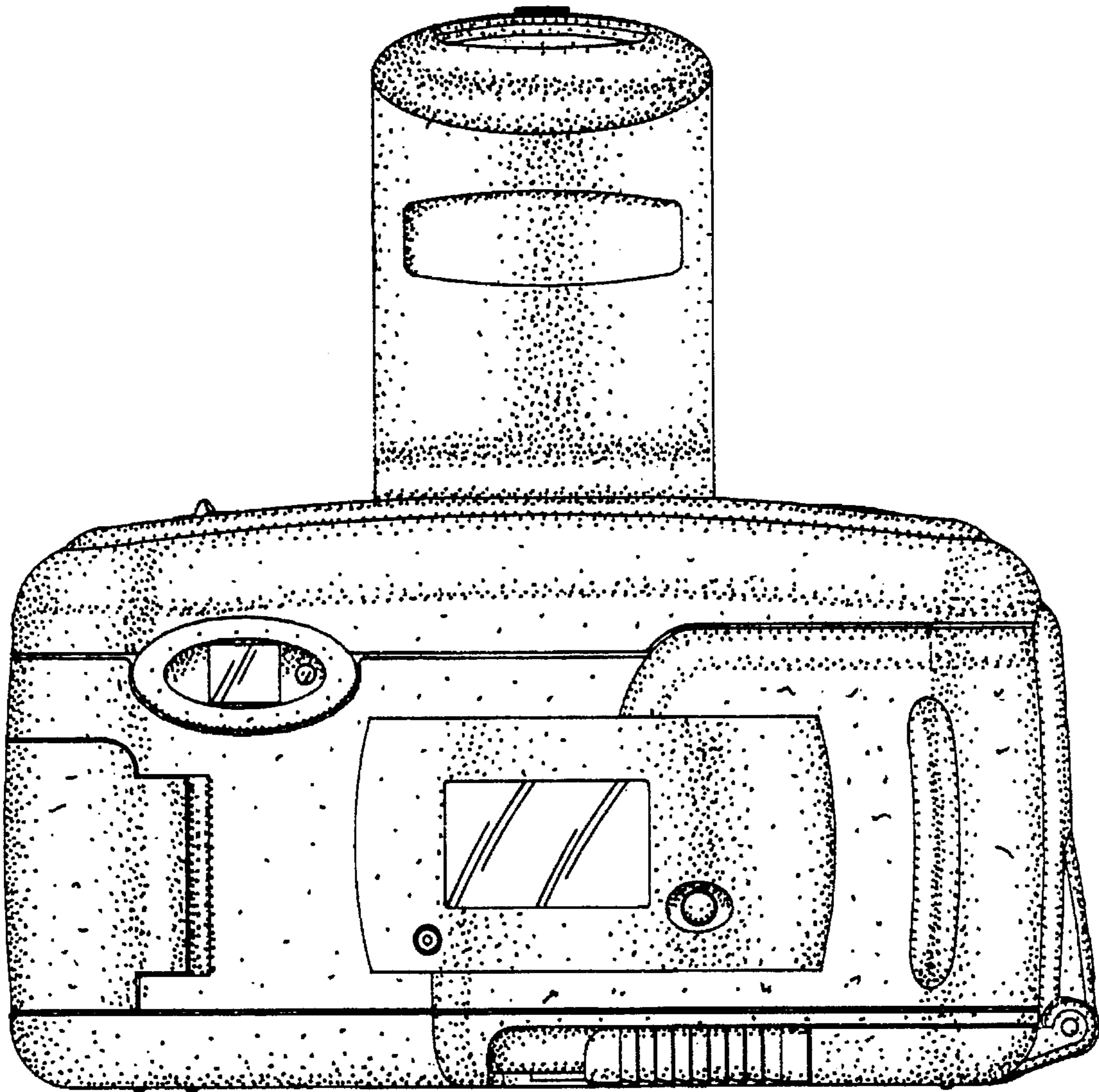
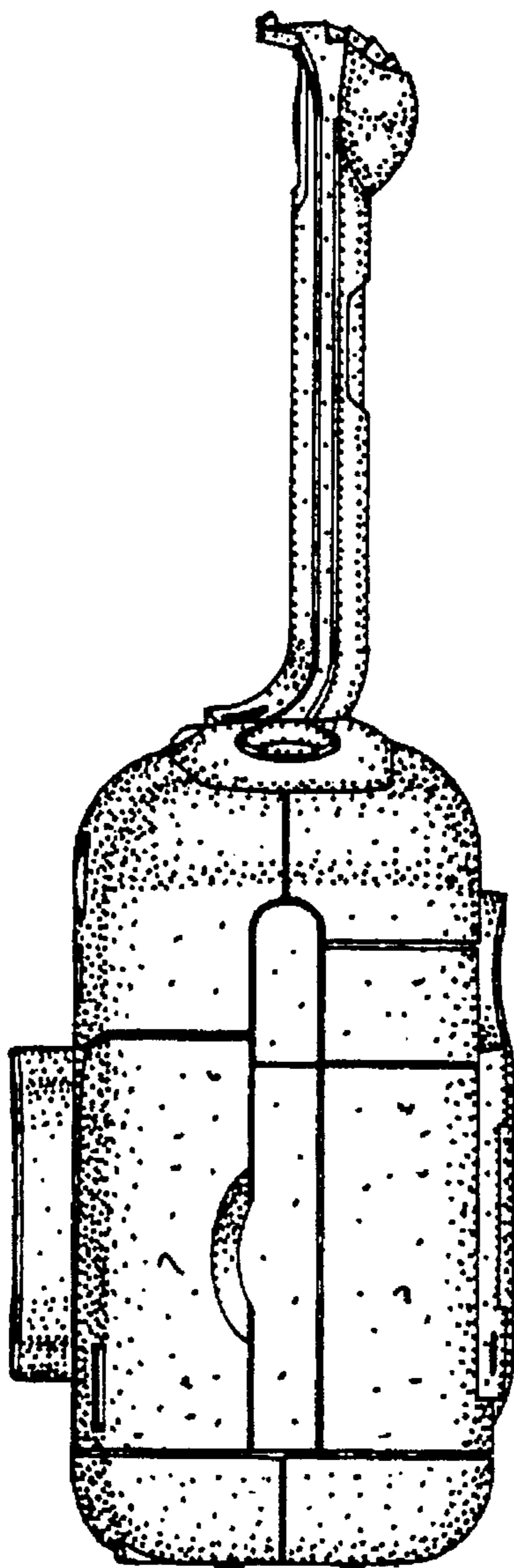
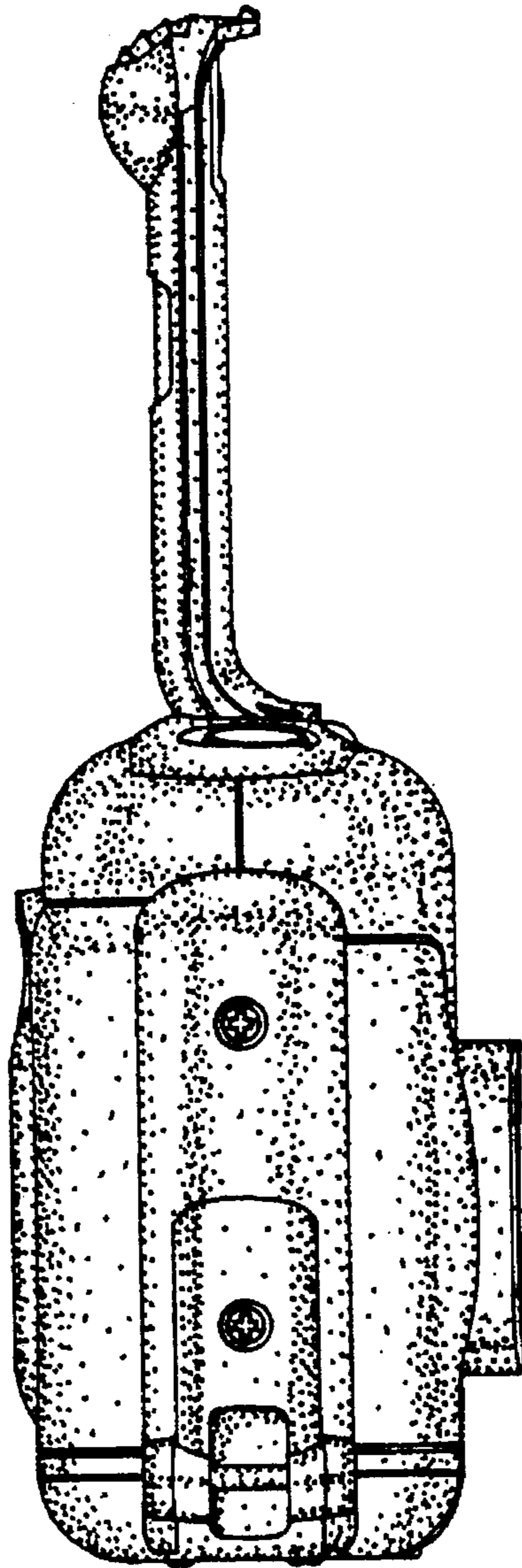


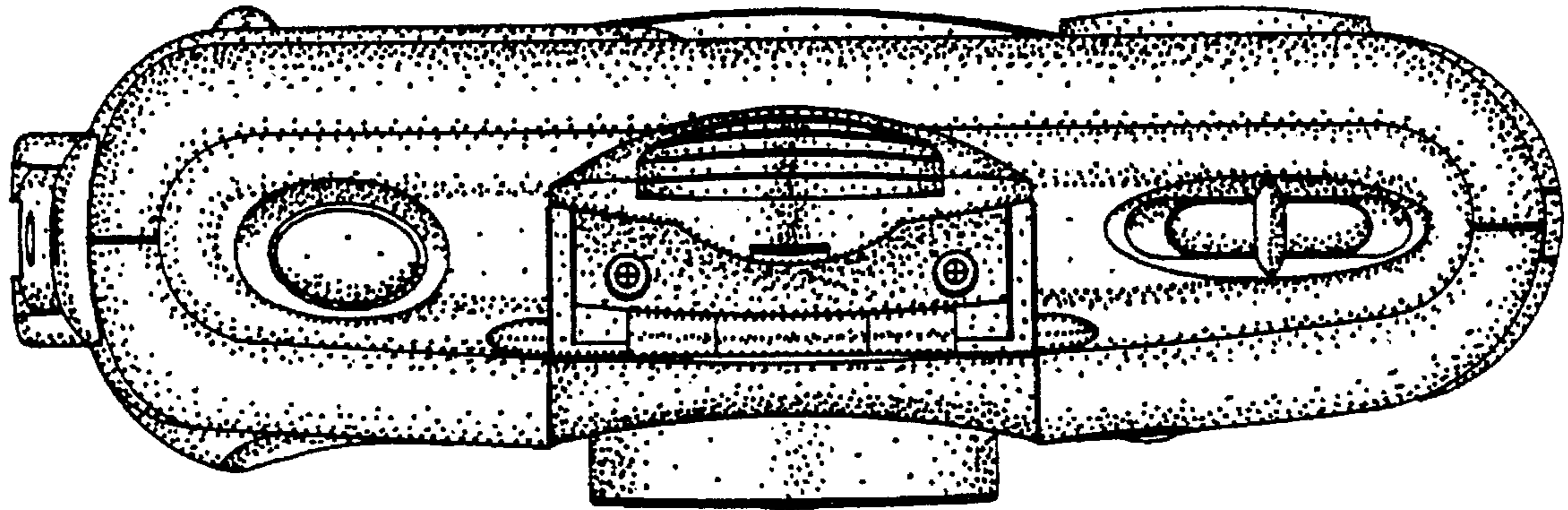
FIG. 12



*FIG. 13*

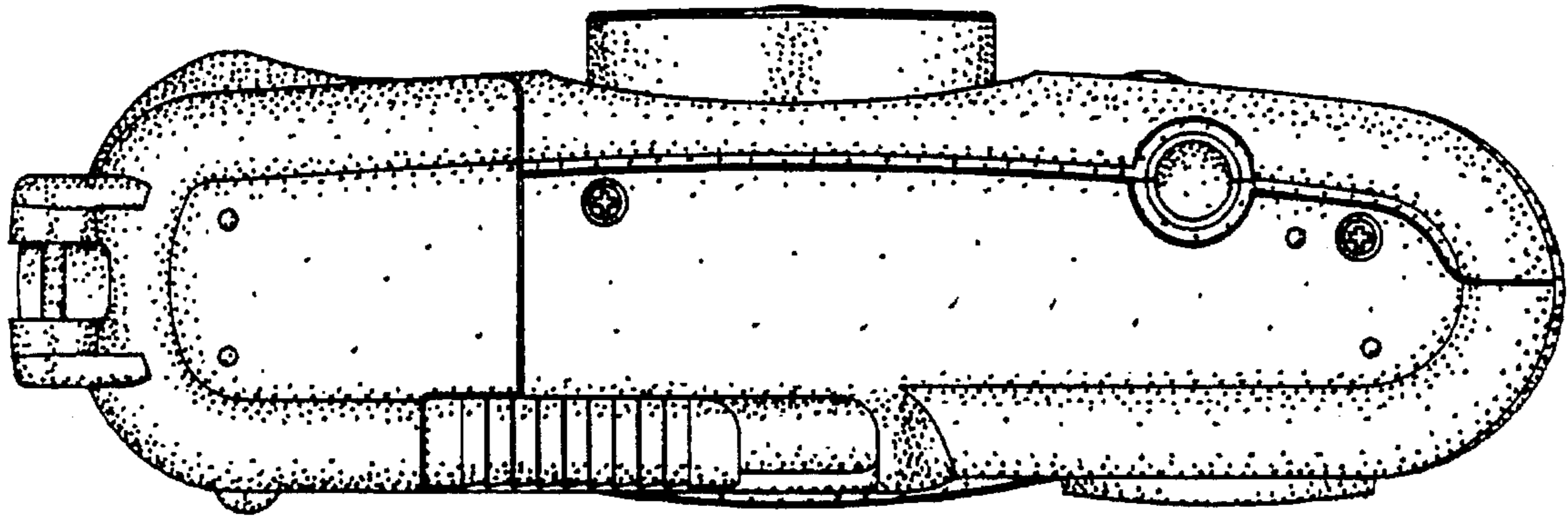


*FIG. 14*



*FIG. 15*





*FIG. 16*