



US00D378588S

United States Patent [19]
Tanaka

[11] **Patent Number: Des. 378,588**

[45] **Date of Patent: **Mar. 25, 1997**

[54] **TELEPHONE**

[75] Inventor: **Soichi Tanaka**, Tokyo, Japan

[73] Assignee: **Sony Corporation**, Tokyo, Japan

[**] Term: **14 Years**

[21] Appl. No.: **47,168**

[22] Filed: **Nov. 28, 1995**

[30] **Foreign Application Priority Data**

Jul. 10, 1995 [JP] Japan 7-019550

[52] **U.S. Cl.** **D14/150**

[58] **Field of Search** D14/137, 138,
D14/140, 142, 147-151, 240, 241, 141;
379/419, 420, 428, 440, 433-436, 454,
455

[56] **References Cited**

U.S. PATENT DOCUMENTS

D. 299,026	12/1988	Iino	D14/148
D. 303,386	9/1989	Iino	D14/149 X
D. 303,665	9/1989	Ohta et al.	D14/142
D. 331,583	12/1992	Gallagher	D14/151
D. 331,759	12/1992	Renard	D14/151
D. 346,383	4/1994	Mehle-Hohnjec et al.	D14/150
D. 348,459	7/1994	Yamagishi et al.	D14/150
D. 366,483	1/1996	Major	D14/148 X

FOREIGN PATENT DOCUMENTS

1-42965 2/1989 Japan 379/434

OTHER PUBLICATIONS

Courreges Telephone Catalog, 1985, Telephone Shown Therein.

Primary Examiner—Jeffrey Asch
Attorney, Agent, or Firm—Foley & Lardner

[57] **CLAIM**

The ornamental design for a telephone, as shown and described.

DESCRIPTION

FIG. 1 is a perspective view of a first embodiment of the telephone showing my new design;
 FIG. 2 is a perspective view thereof wherein the handset is detached from the base;
 FIG. 3 is a top plan view thereof;
 FIG. 4 is a left side elevational view thereof;
 FIG. 5 is a front elevational view thereof;
 FIG. 6 is a bottom plan view thereof;
 FIG. 7 is a right side elevational view thereof;
 FIG. 8 is a rear elevational view thereof;
 FIG. 9 is a top plan view of a second embodiment of the telephone showing my new design;
 FIG. 10 is a left side elevational view of the embodiment of FIG. 9;
 FIG. 11 is a bottom plan view of the embodiment of FIG. 9;
 FIG. 12 is a right side elevational view of the embodiment of FIG. 9; and,
 FIG. 13 is a rear elevational view of the embodiment of FIG. 9.
 A front elevational view of the embodiment of FIG. 9 is the same as shown in FIG. 5.

1 Claim, 4 Drawing Sheets

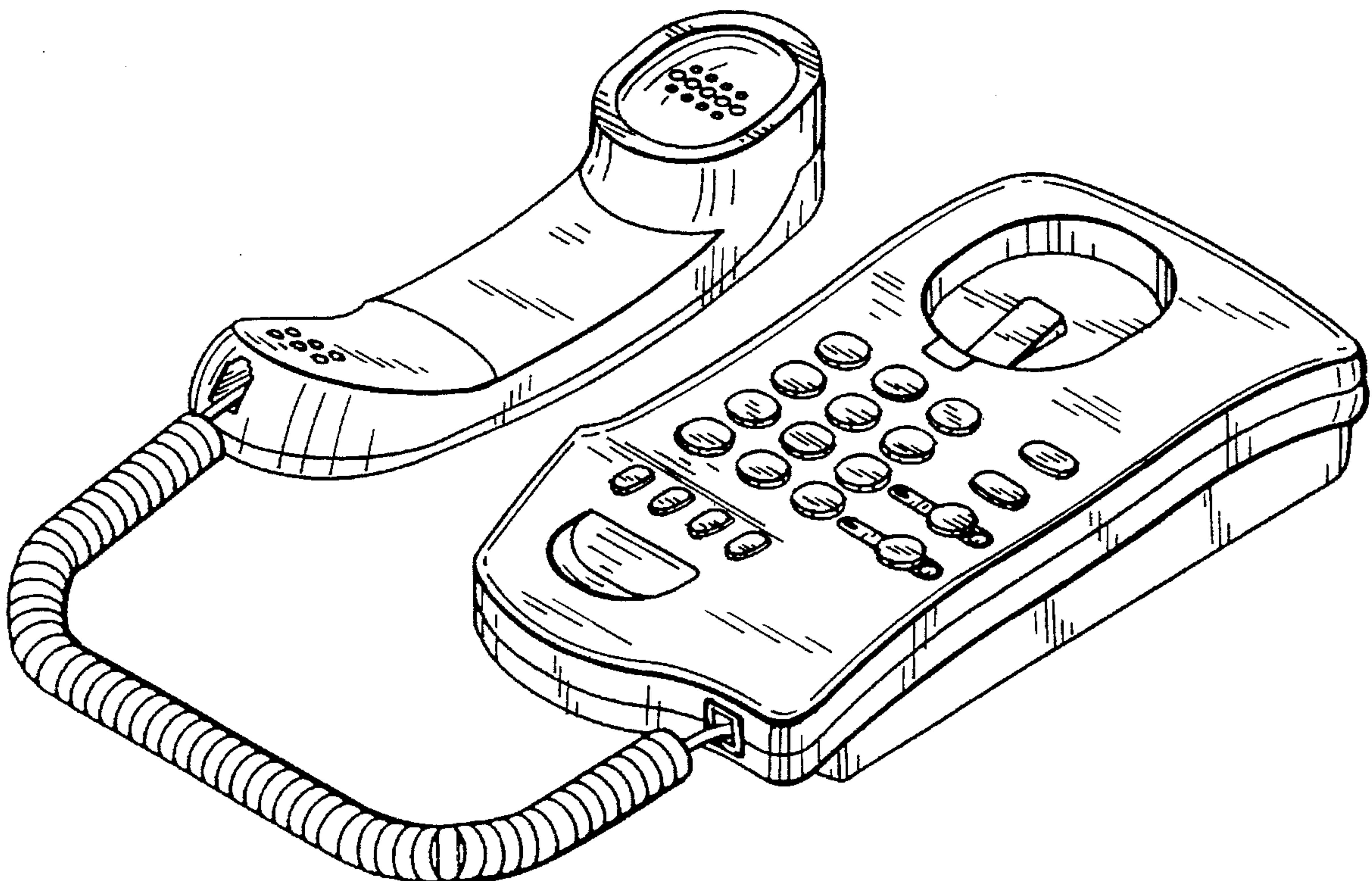


FIG. 1

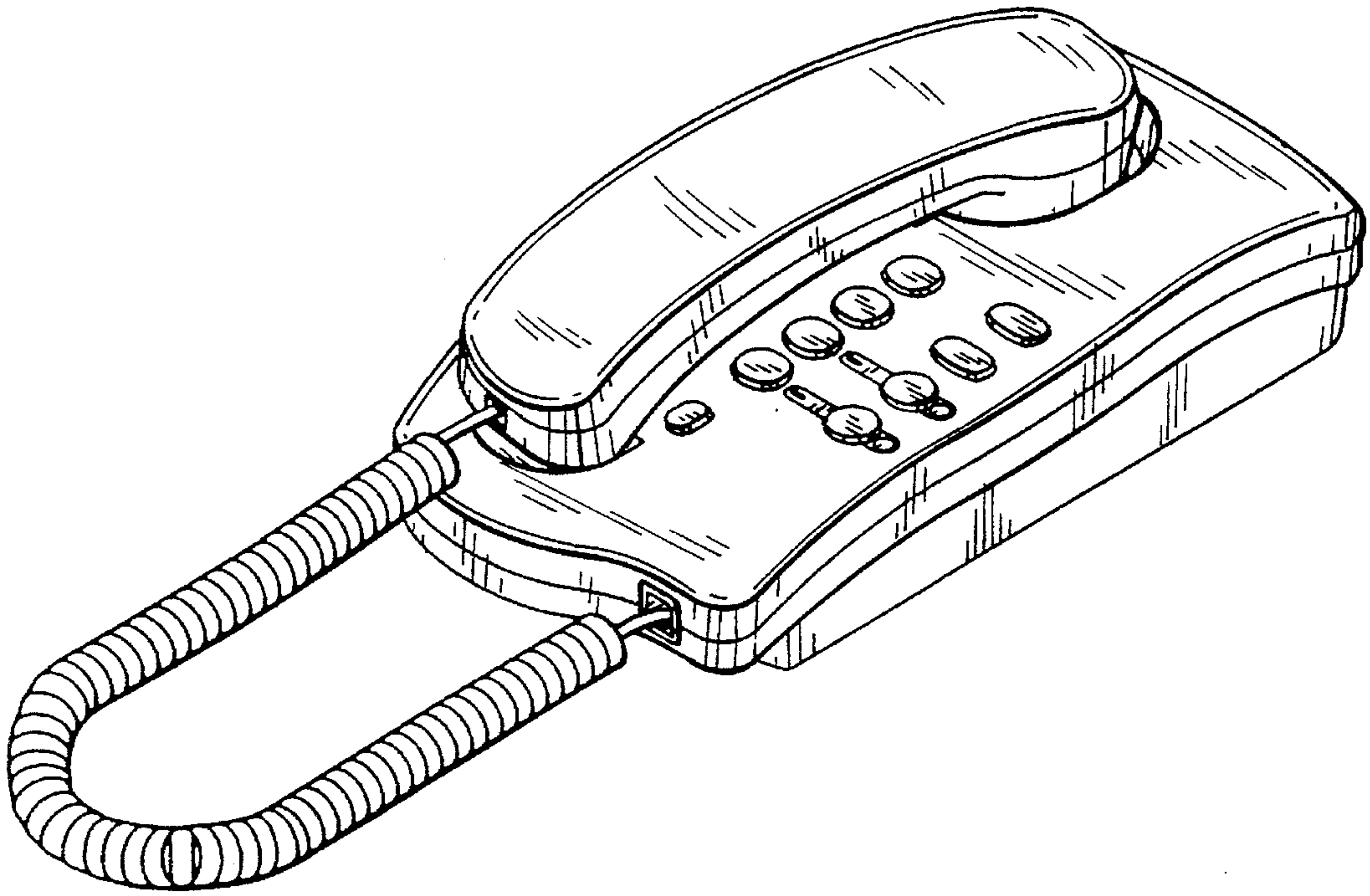


FIG. 2

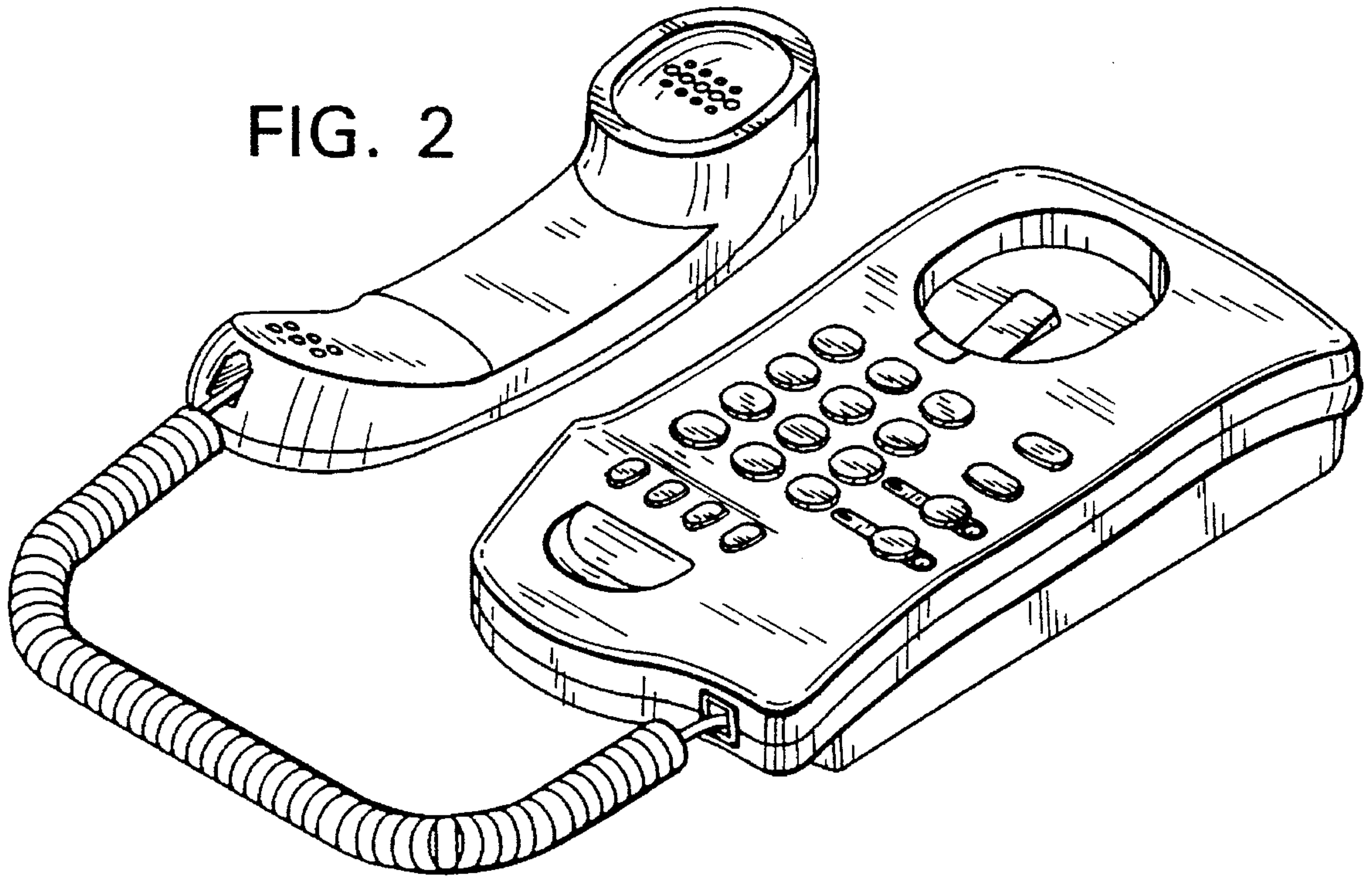


FIG. 3

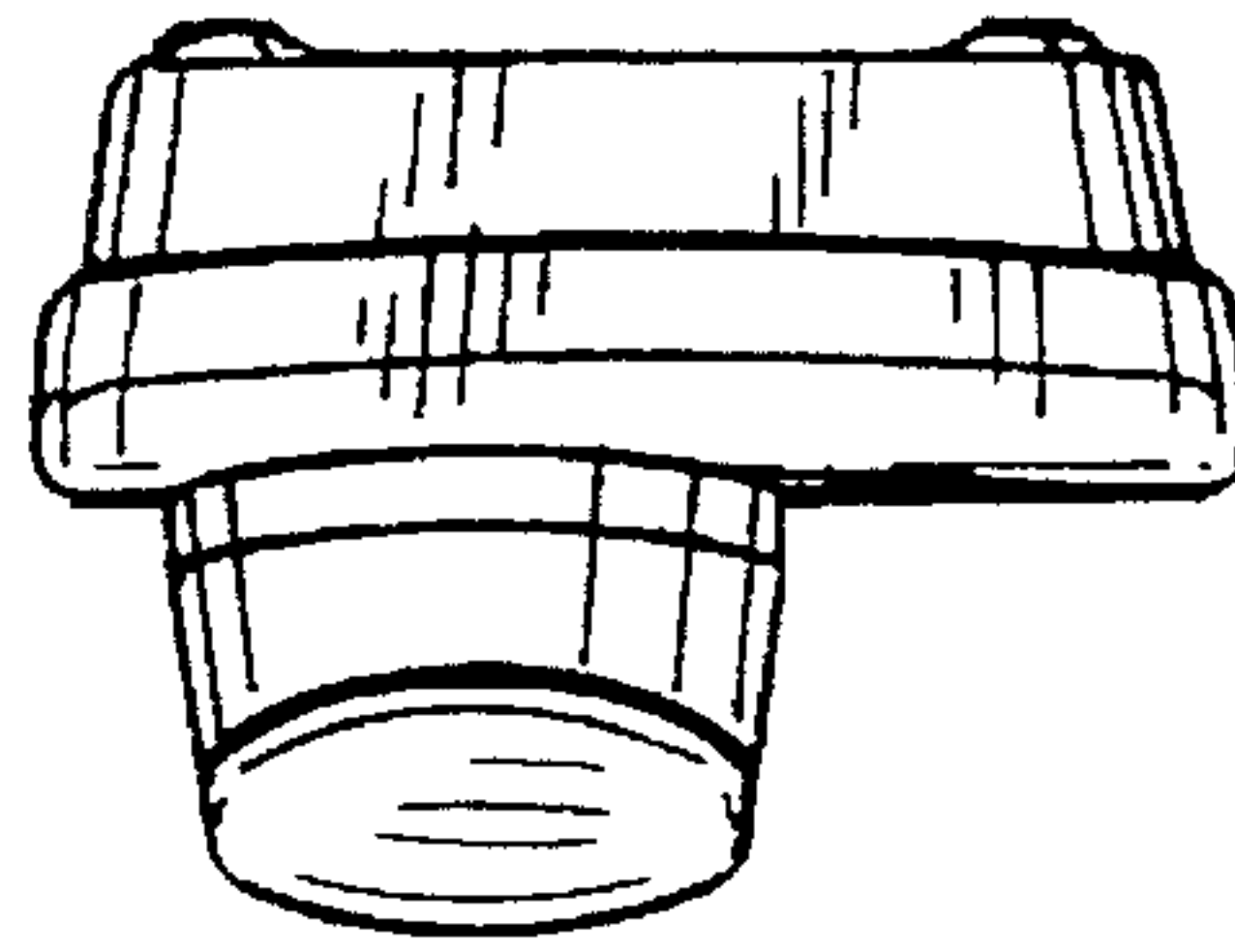


FIG. 4

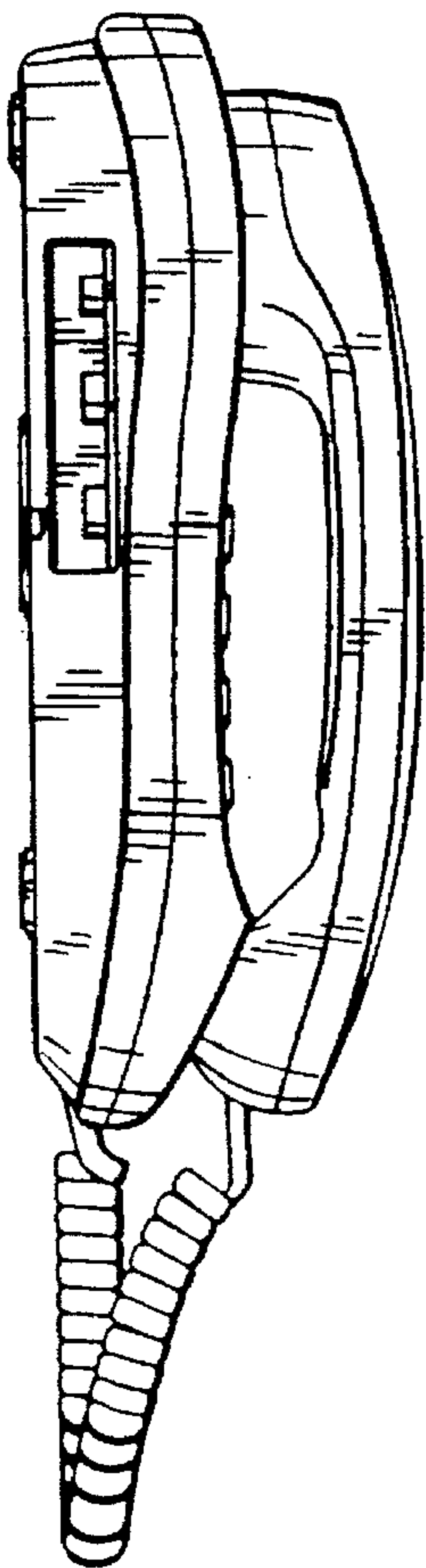


FIG. 5

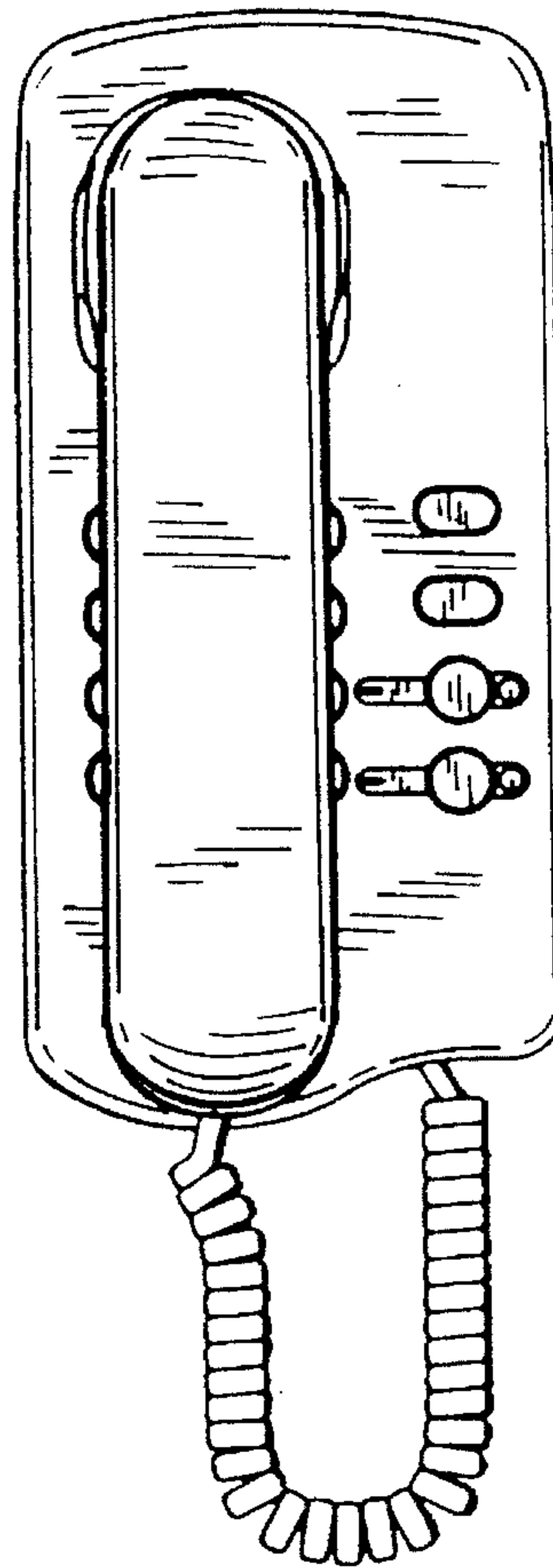


FIG. 6

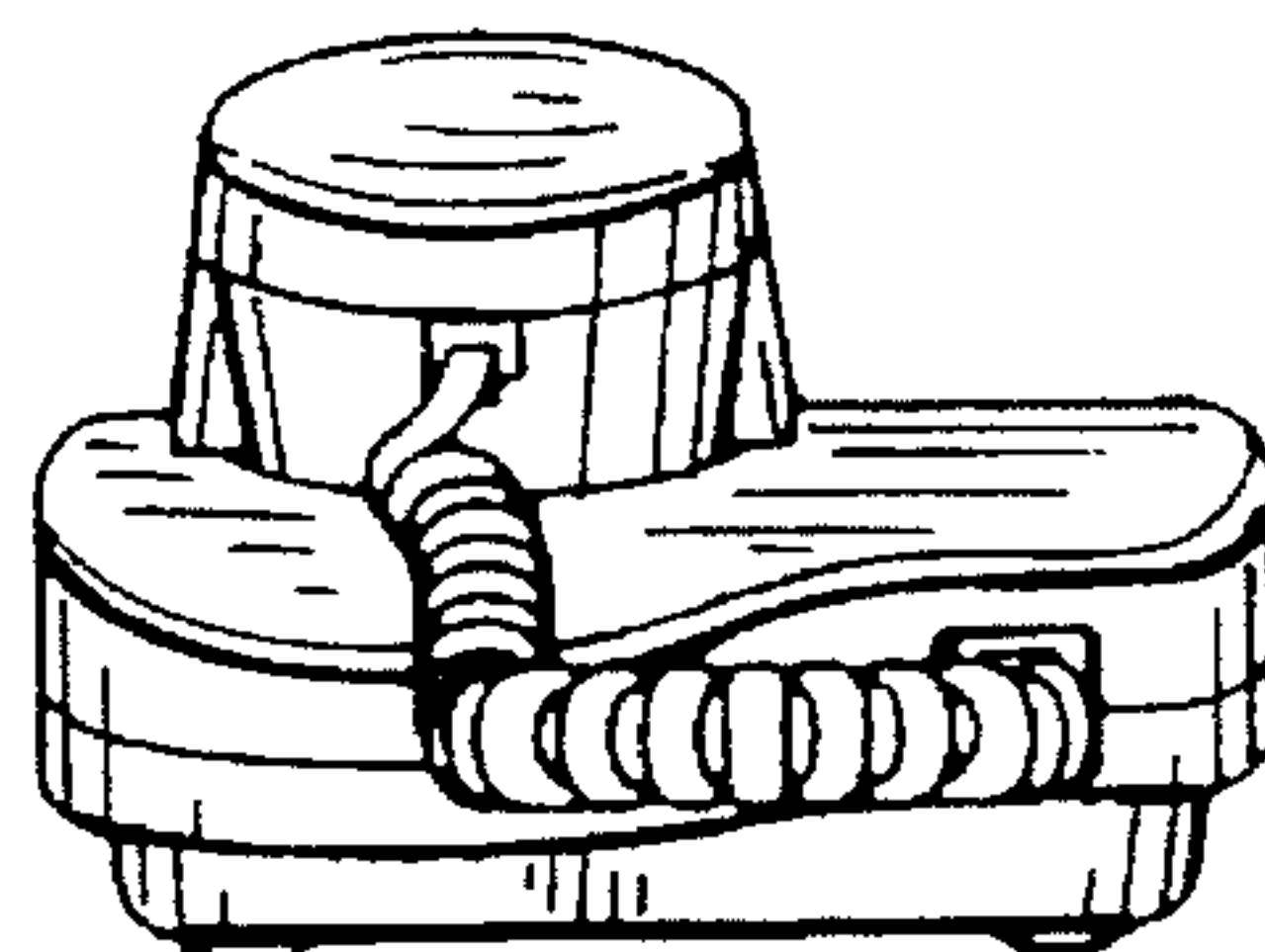


FIG. 7

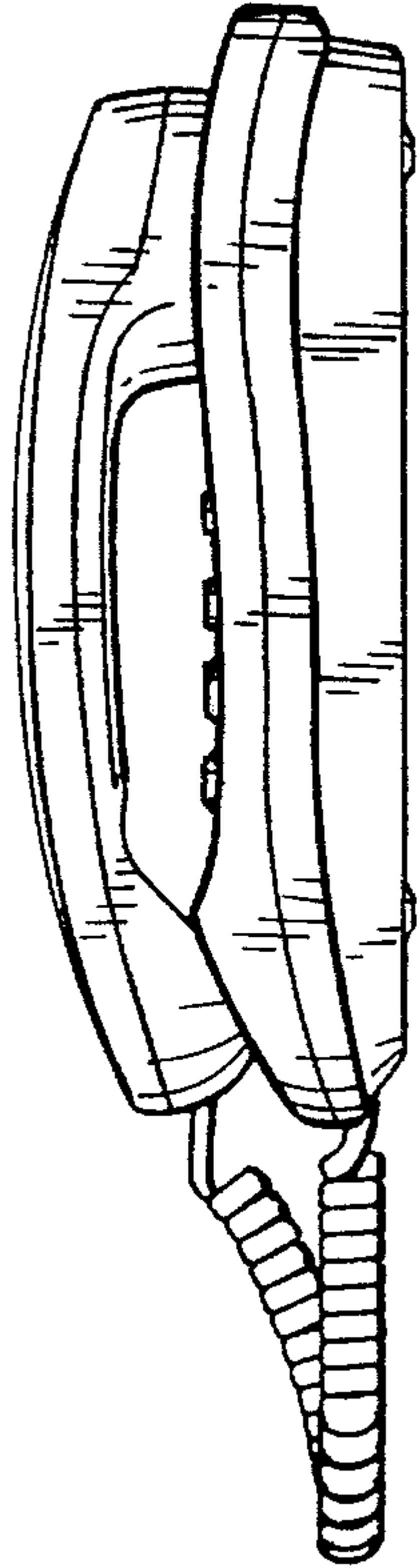


FIG. 8

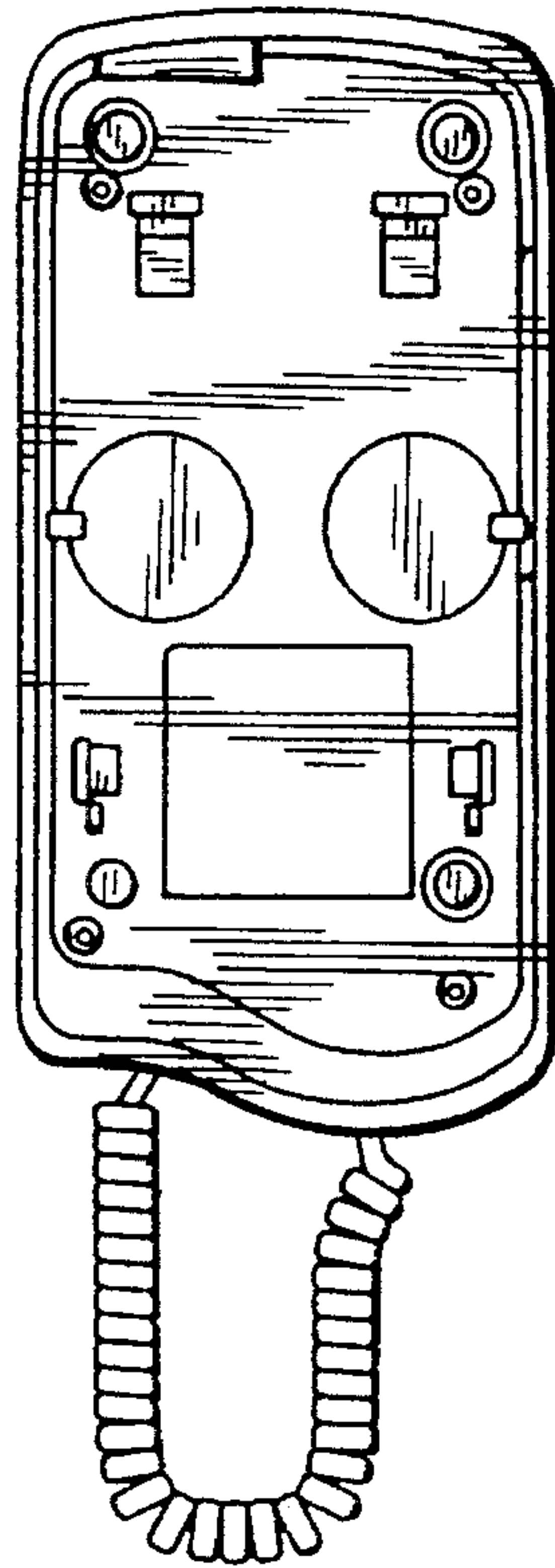


FIG. 10

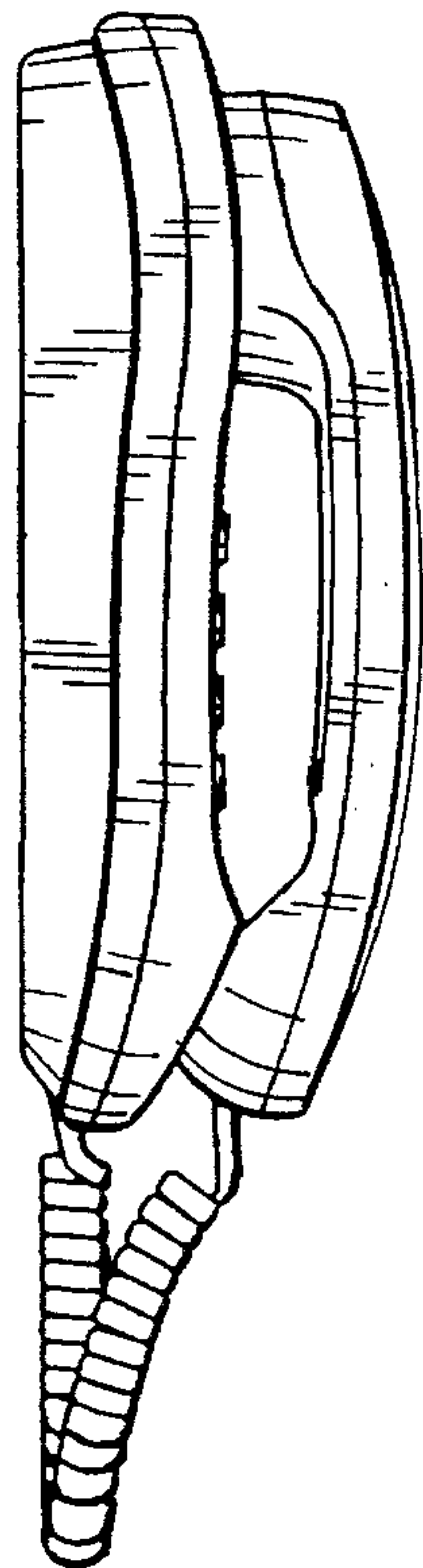


FIG. 9

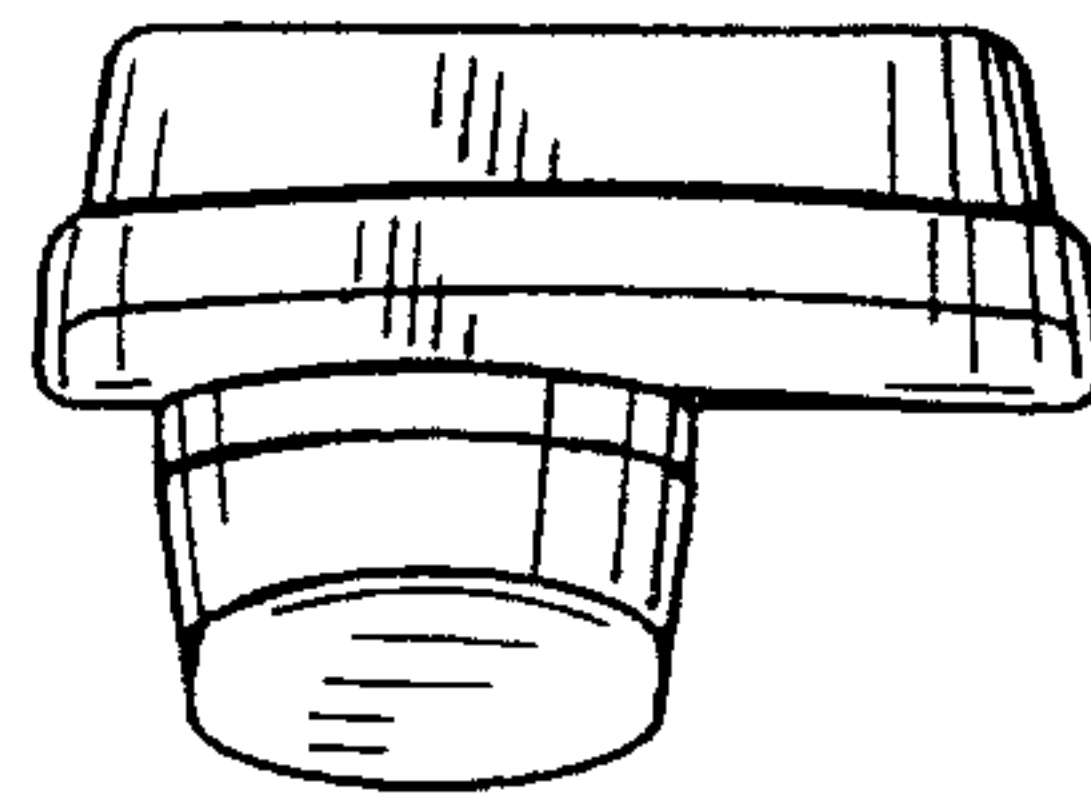


FIG. 11

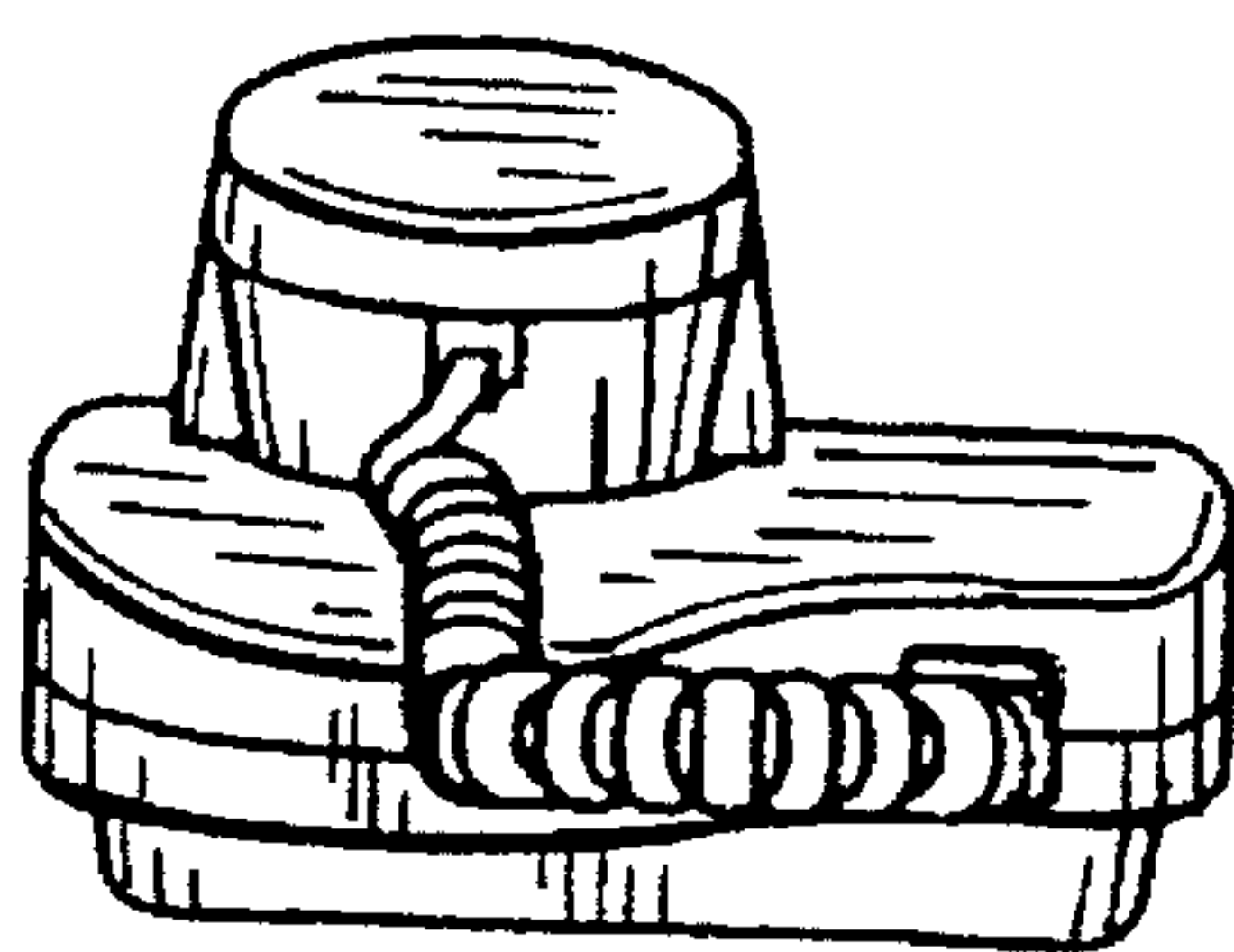


FIG. 12

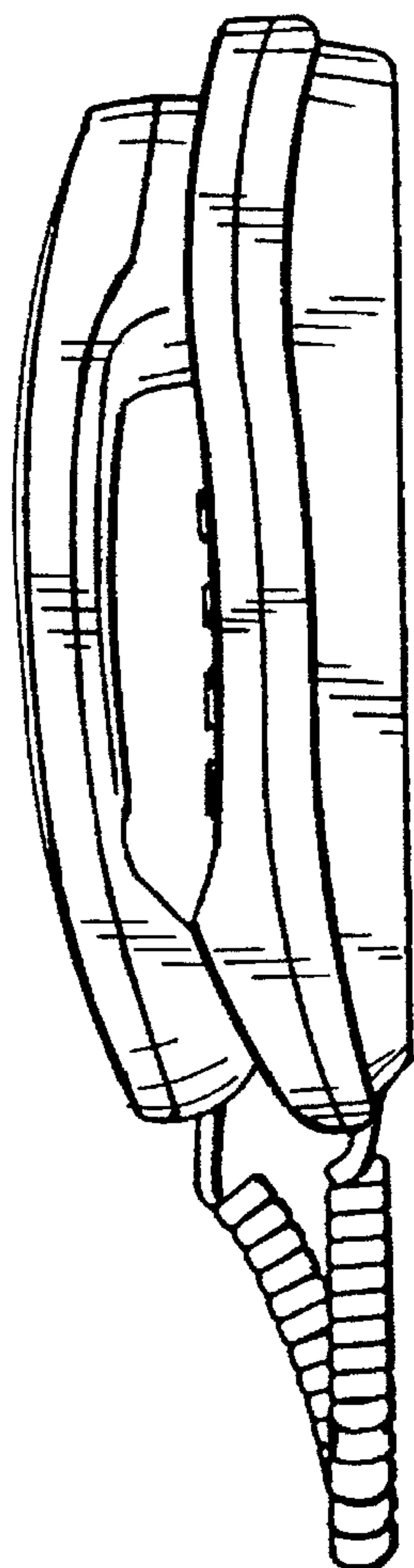


FIG. 13

