



US00D378587S

# United States Patent [19]

Kanno et al.

[11] Patent Number: **Des. 378,587**

[45] Date of Patent: **\*\*Mar. 25, 1997**

[54] RECEIVER FOR BAR CODE READER

[75] Inventors: **Tsutomu Kanno; Takashi Kondo; Hisashi Murata**, all of Miyagi-ken, Japan

[73] Assignee: **Alps Electric Co., Ltd.**, Tokyo, Japan

[\*\*] Term: **14 Years**

[21] Appl. No.: **43,963**

[22] Filed: **Sep. 14, 1995**

[52] U.S. Cl. .... **D14/116**

[58] Field of Search ..... D14/114, 116; D26/28-35; 235/375, 378, 385, 454, 462, 472, 486; 250/203.1, 216, 566, 568

[56] **References Cited**

**U.S. PATENT DOCUMENTS**

- D. 302,321 7/1989 Charet et al. .... D26/29 X
- D. 327,953 7/1992 Jordan ..... D26/28
- D. 348,260 6/1994 Allgeier ..... D14/116

- D. 351,150 10/1994 Bontly et al. .... D14/116
- D. 351,243 10/1994 Williams et al. .... D26/28
- D. 355,270 2/1995 Spencer ..... D26/28
- D. 359,483 6/1995 Saunders et al. .... D14/116

*Primary Examiner*—M. H. Tung  
*Attorney, Agent, or Firm*—Guy W. Shoup; Patrick T. Bever

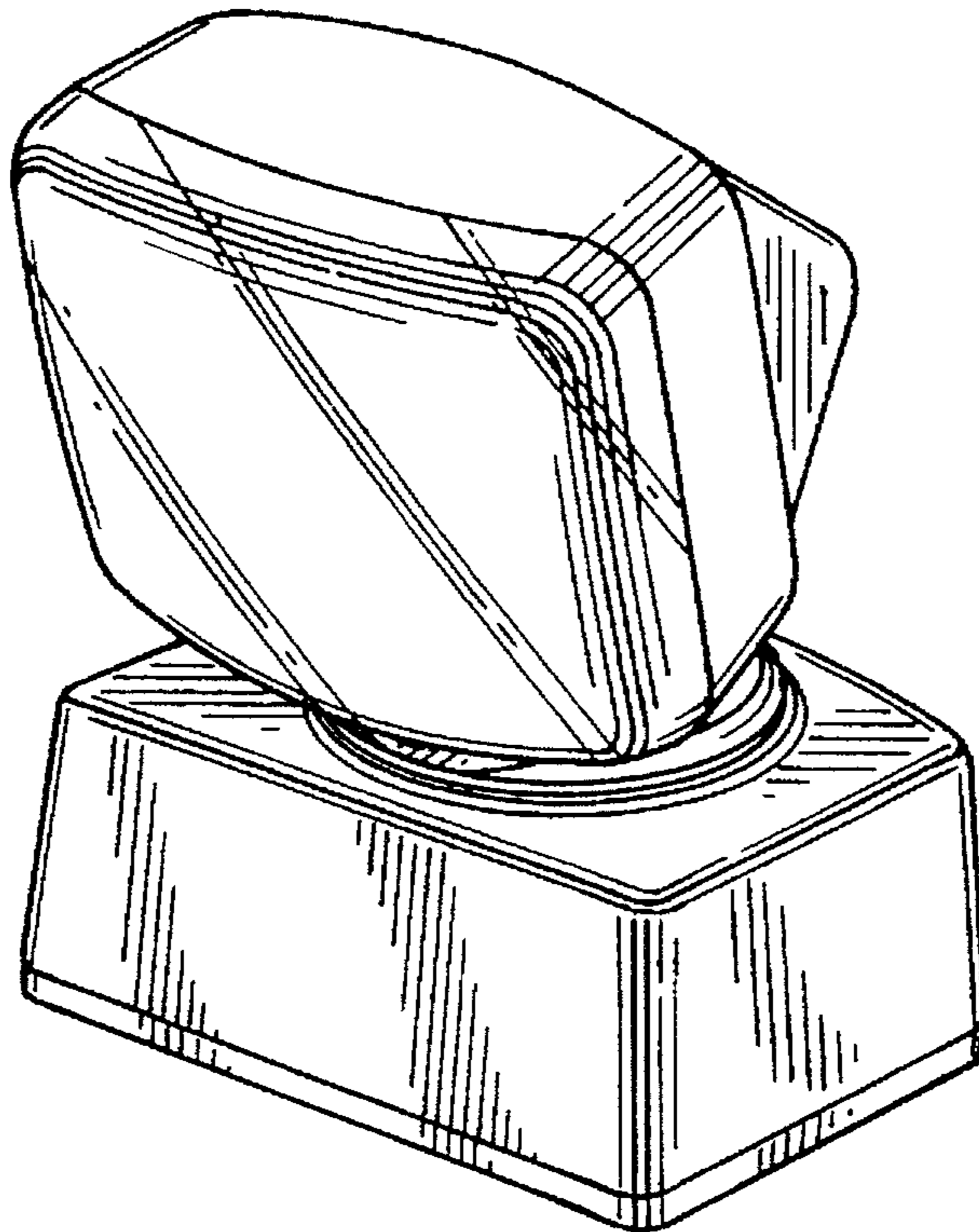
[57] **CLAIM**

The ornamental design for receiver for bar code reader, as shown.

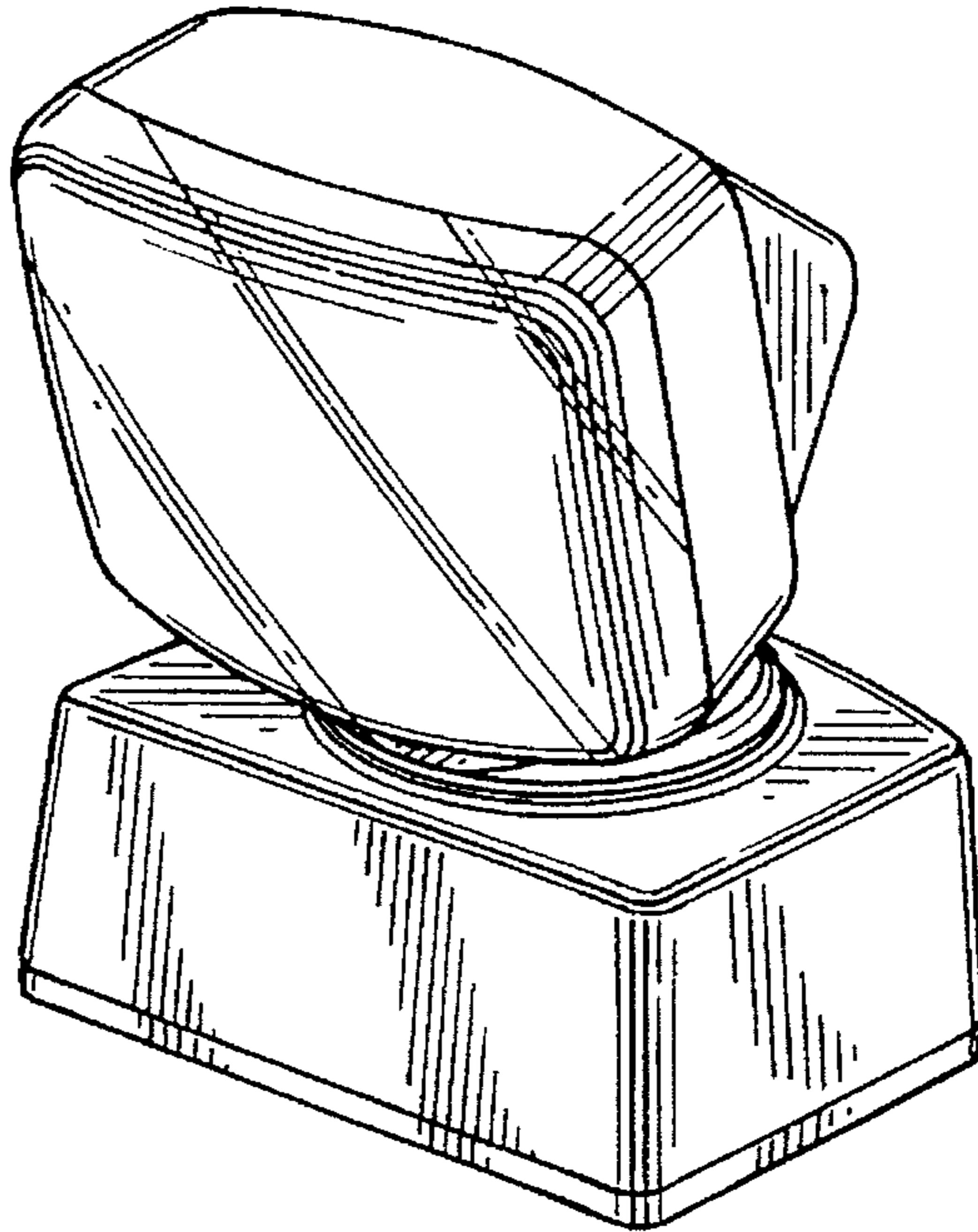
**DESCRIPTION**

FIG. 1 is a perspective view of the receiver for bar code reader;  
FIG. 2 is a front elevation view thereof;  
FIG. 3 is a rear elevation view thereof;  
FIG. 4 is a left side elevation view thereof;  
FIG. 5 is a right side elevation view thereof;  
FIG. 6 is a top plan view thereof; and,  
FIG. 7 is a bottom plan view thereof.

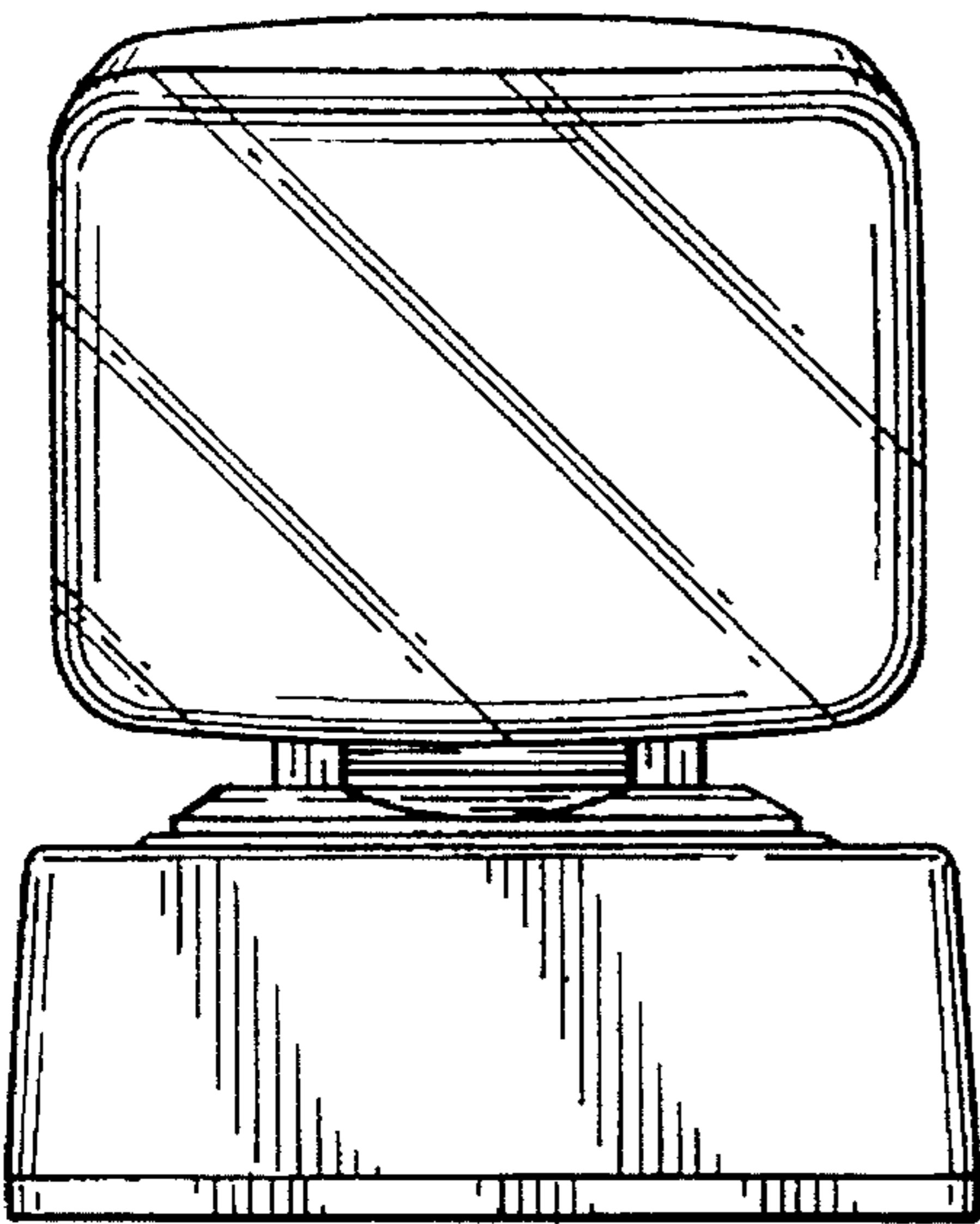
**1 Claim, 2 Drawing Sheets**



*FIG. 1*



*FIG. 2*



*FIG. 3*

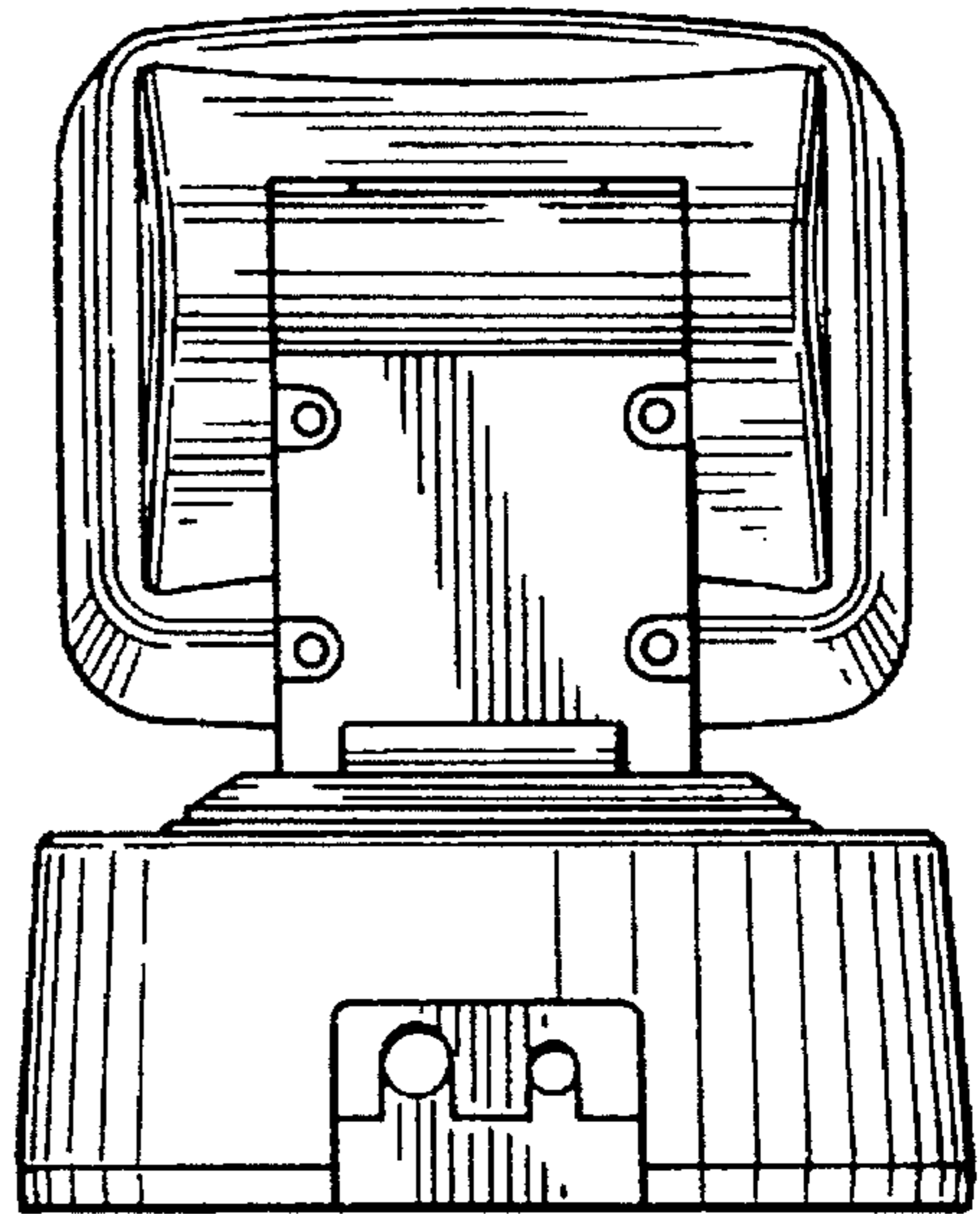


FIG. 4

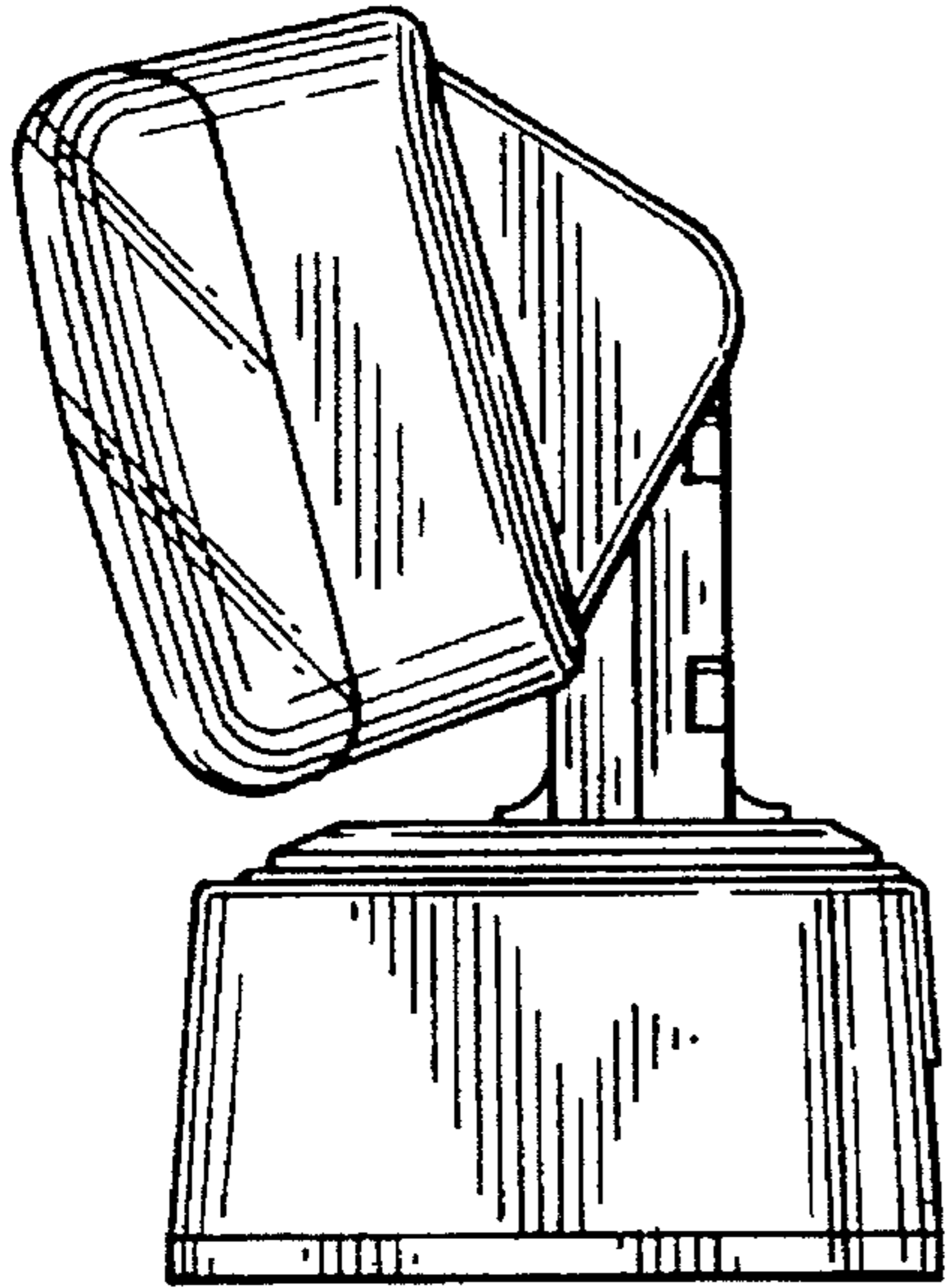


FIG. 5

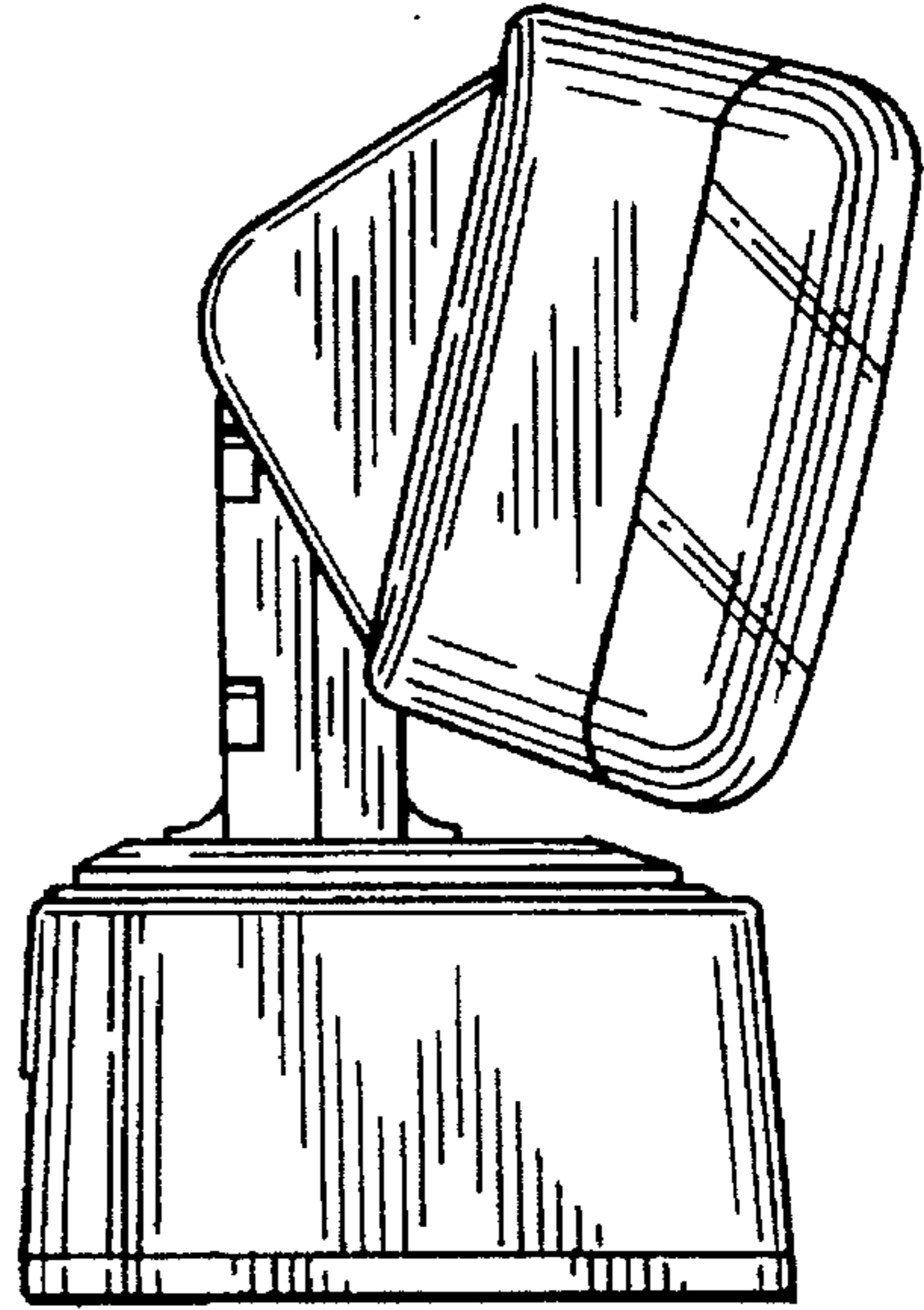


FIG. 6

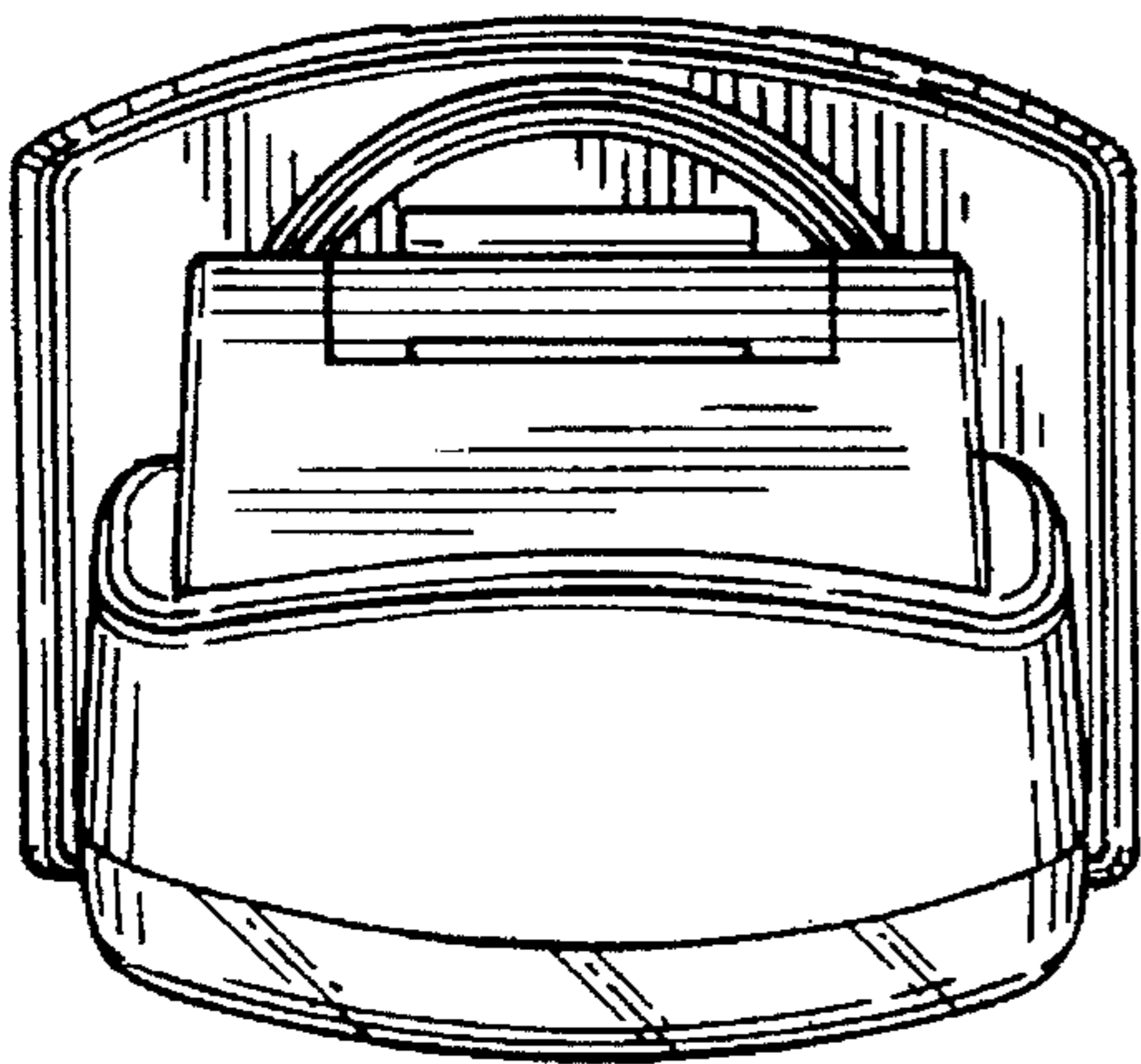


FIG. 7

