



US00D378586S

**United States Patent** [19]  
**Hedrick**

[11] **Patent Number: Des. 378,586**

[45] **Date of Patent: \*\*Mar. 25, 1997**

[54] **ELECTRICAL PLUG BODY**

[75] Inventor: **Paul A. Hedrick**, Alexandria, Ky.

[73] Assignee: **General Cable Corporation**, Highland Heights, Ky.

[\*\*] Term: **14 Years**

[21] Appl. No.: **48,118**

[22] Filed: **Dec. 21, 1995**

[52] **U.S. Cl.** ..... **D13/138**

[58] **Field of Search** ..... D13/138, 141,  
D13/143; 439/476, 483, 692, 694

[56] **References Cited**

**U.S. PATENT DOCUMENTS**

D. 287,123	12/1986	Ross et al.	.....	D13/141
D. 362,228	9/1995	Hedrick	.....	D13/138
D. 365,083	12/1995	Hedrick	.....	D13/138

*Primary Examiner*—Joel Sincavage  
*Attorney, Agent, or Firm*—Frost & Jacobs

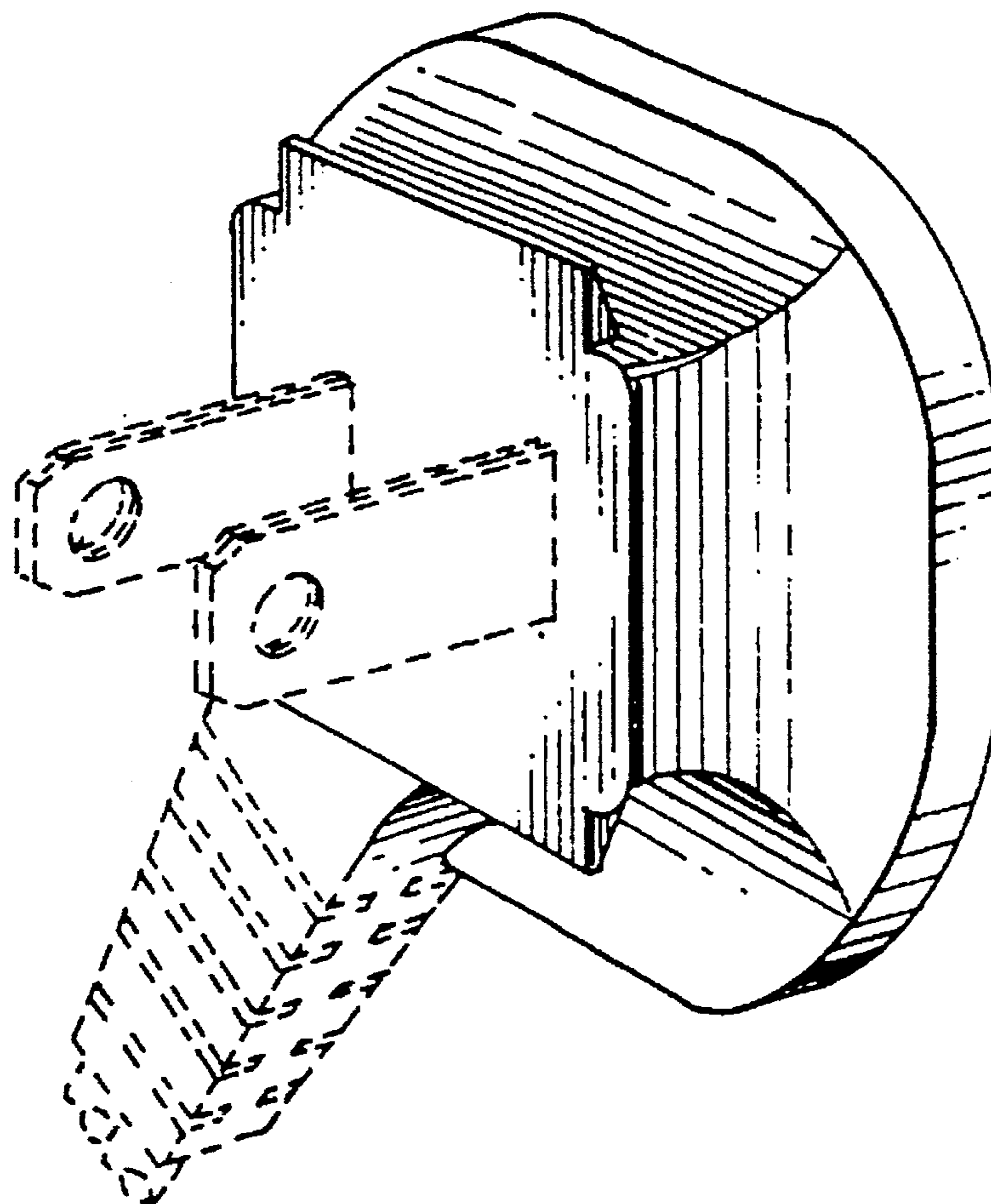
[57] **CLAIM**

The ornamental design for an electrical plug body, as shown and described.

**DESCRIPTION**

FIG. 1 is a perspective view of the instant electrical plug body. The broken line showings of a pair of electrical plug blades and an electrical cord connection are included for the purpose of illustrating environmental structure only and form no part of the claimed design; FIG. 2 is a top plan view thereof; FIG. 3 is a rear plan view thereof; FIG. 4 is a bottom plan view thereof; FIG. 5 is a left side plan view thereof; FIG. 6 is a front plan view thereof; and, FIG. 7 is a right side plan view thereof.

**1 Claim, 1 Drawing Sheet**



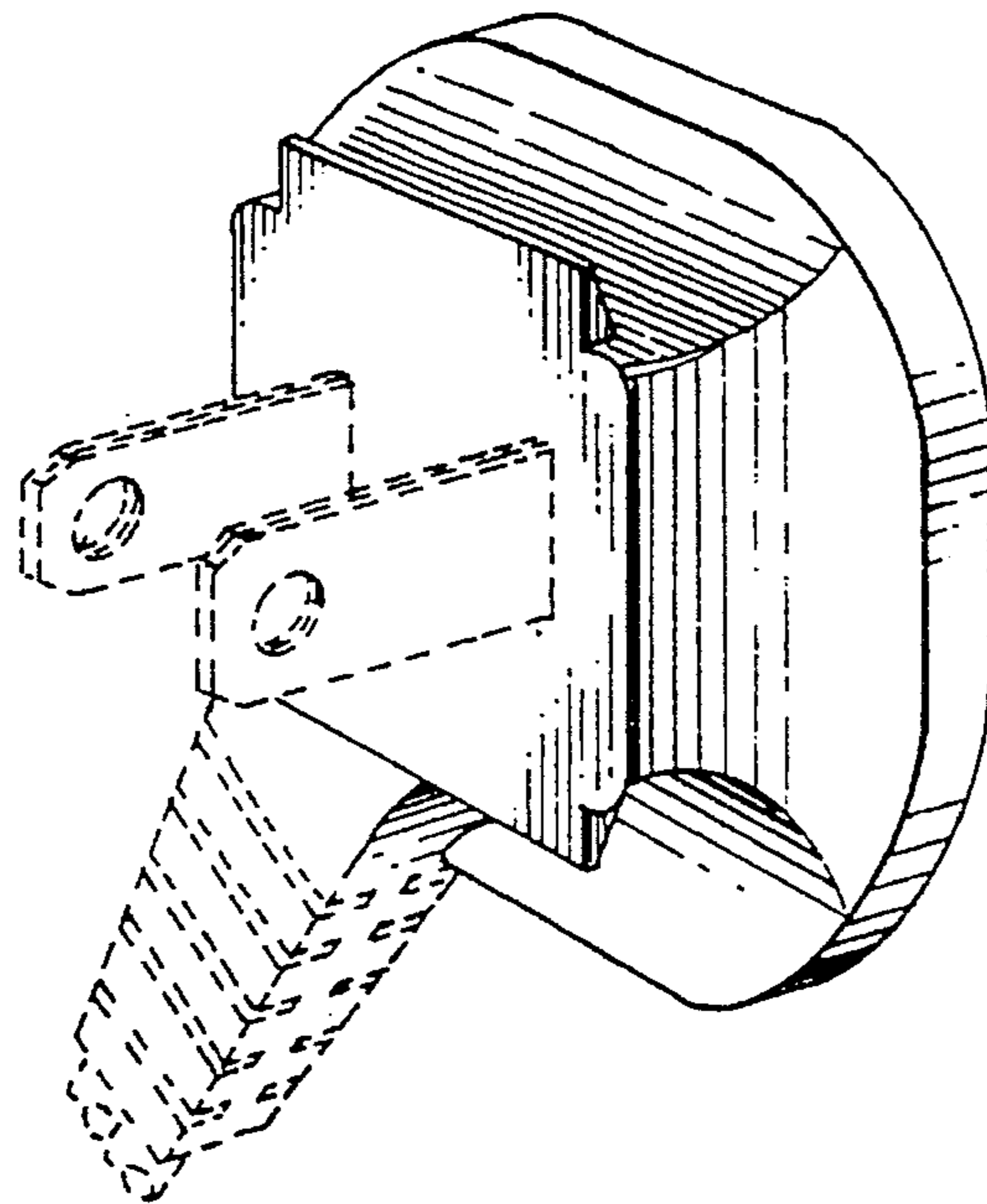


Fig. 1

Fig. 2

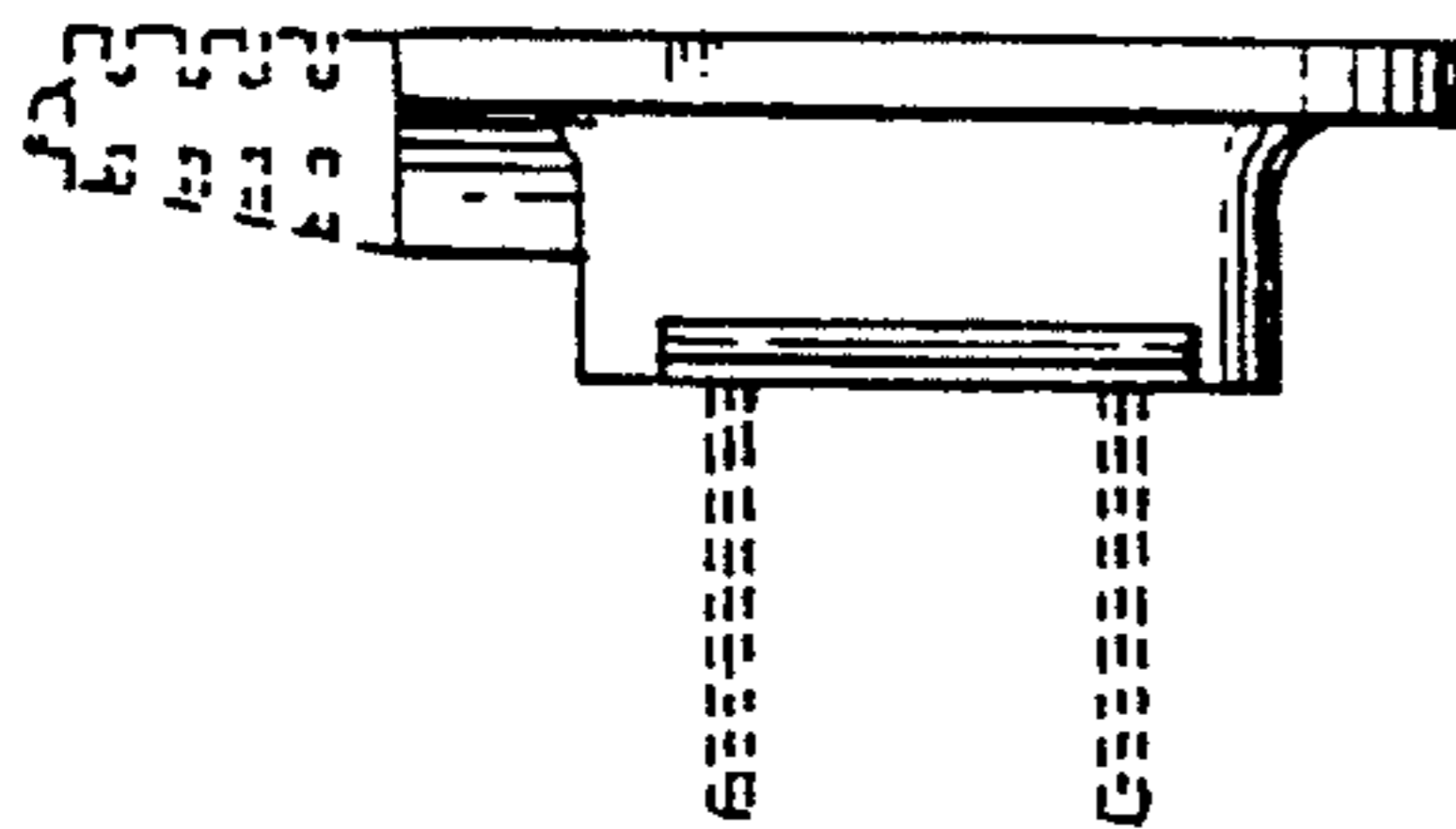


Fig. 5

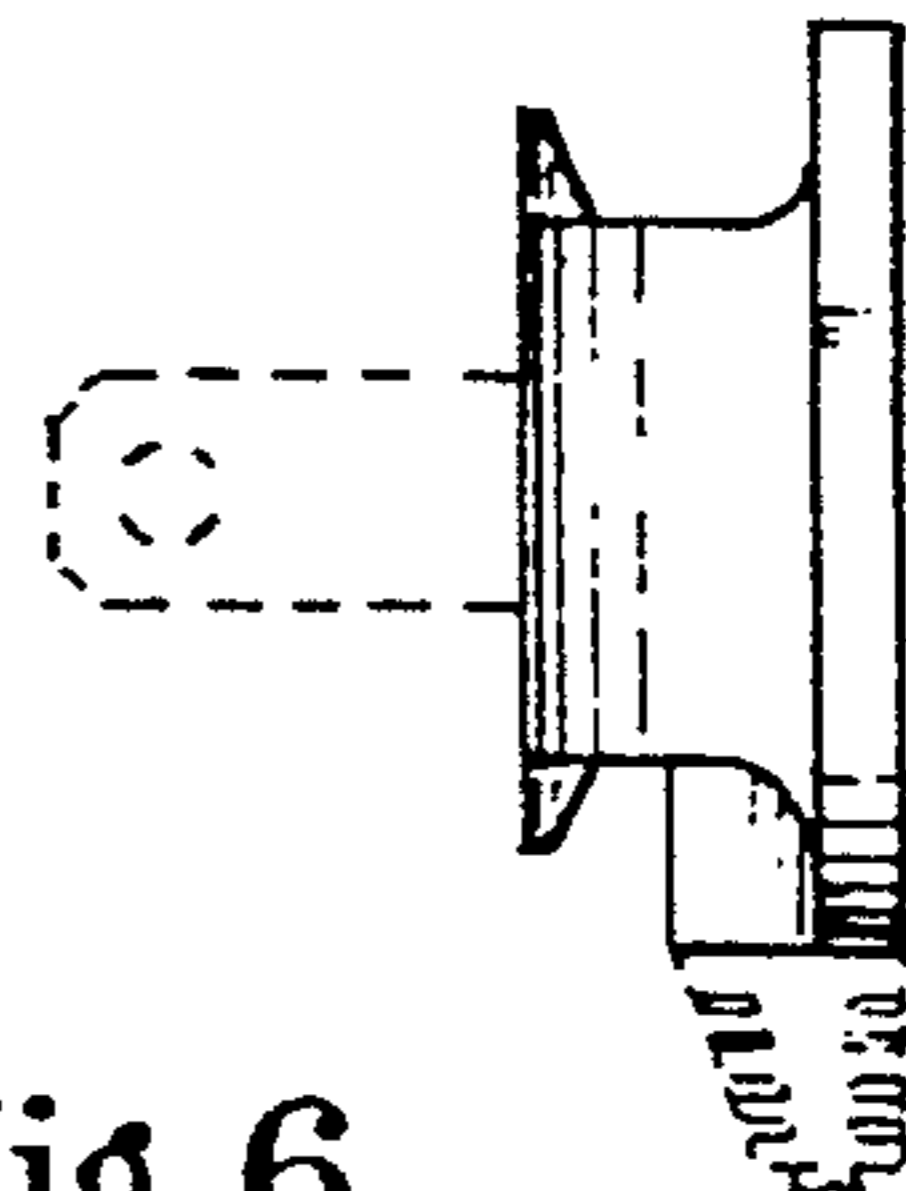


Fig. 3

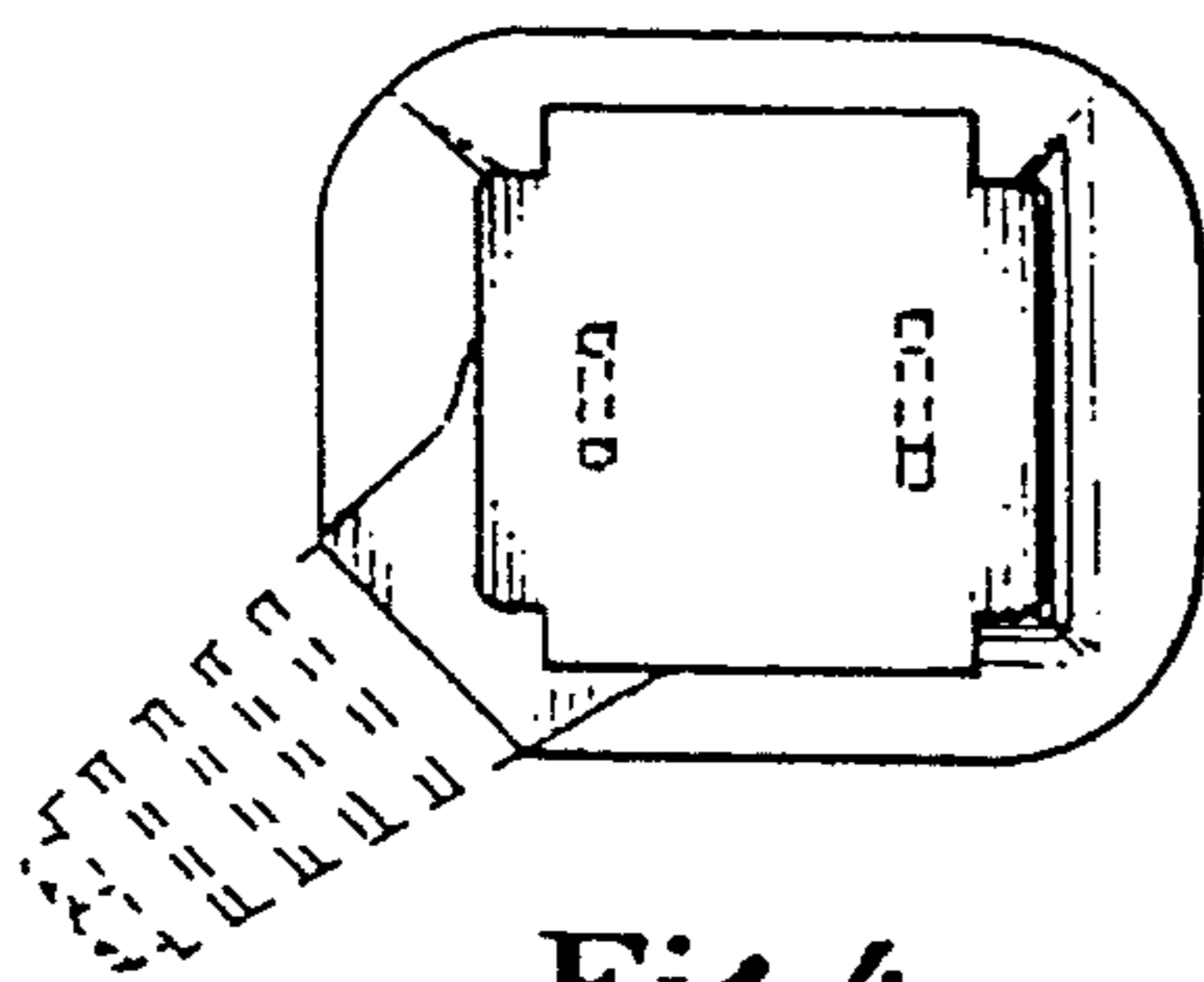


Fig. 6

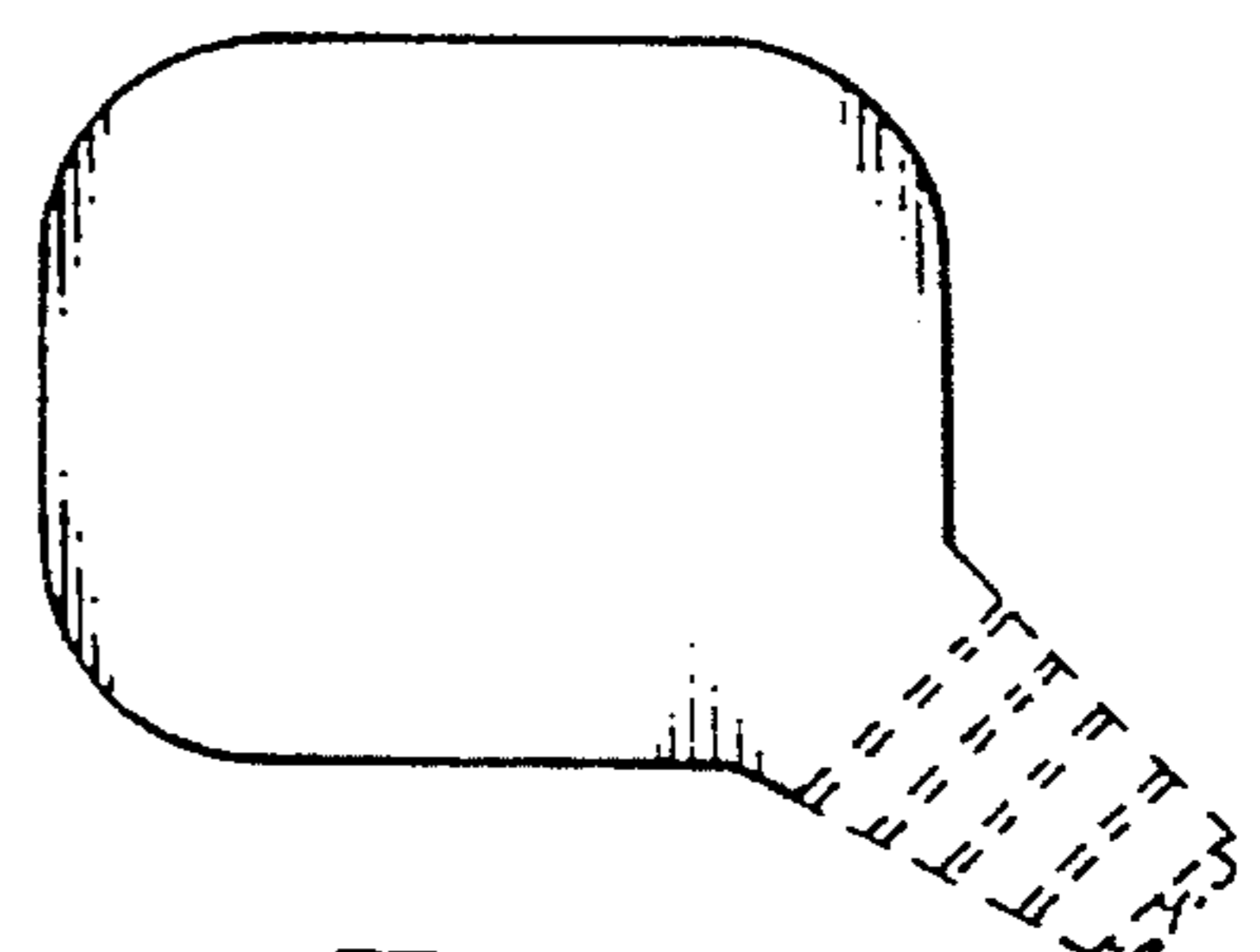


Fig. 4

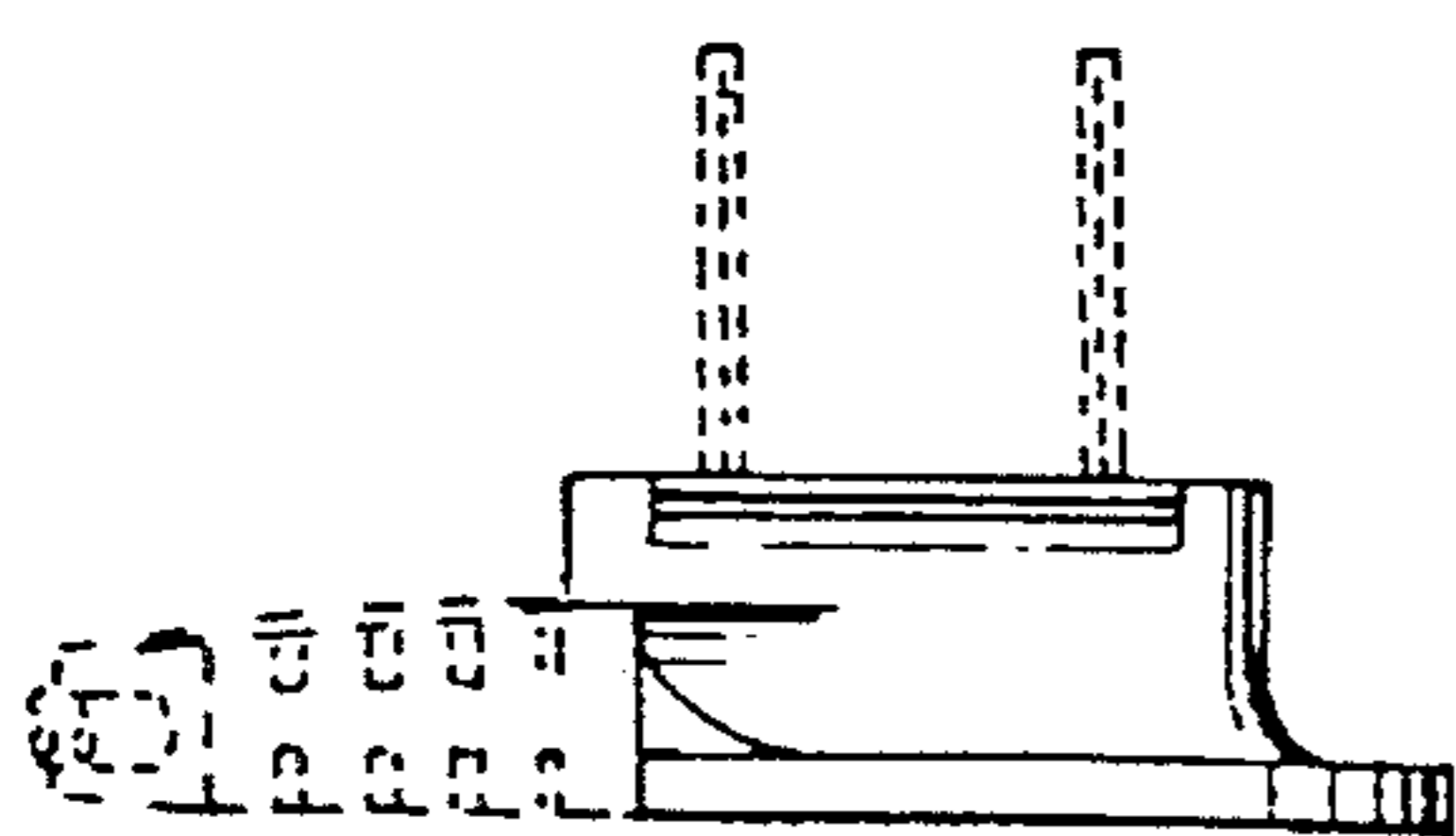


Fig. 7

