



US00D378584S

# United States Patent [19]

Sturges et al.

[11] Patent Number: **Des. 378,584**

[45] Date of Patent: **\*\*Mar. 25, 1997**

[54] **COMBINED INSTRUMENT PANEL AND STEERING COLUMN**

4,643,448	2/1987	Loren	.....	280/752 X
4,702,342	10/1987	Hale	.	
4,930,591	6/1990	Lanius et al.	.	
5,095,430	3/1992	Bonito et al.	.	

[75] Inventors: **Daniel D. Sturges**, Ann Arbor, Mich.;  
**Erik Blatter**, Los Angeles, Calif.

*Primary Examiner*—Freda Nunn  
*Attorney, Agent, or Firm*—Brooks & Kushman P.C.

[73] Assignee: **trans2 Corporation**

[57] **CLAIM**

[\*\*] Term: **14 Years**

The ornamental design for a combined instrument panel and steering column, as shown and described.

[21] Appl. No.: **31,083**

### DESCRIPTION

[22] Filed: **Nov. 17, 1994**

[52] U.S. Cl. .... **D12/192**

[58] Field of Search ..... D12/192, 400;  
180/90, 333, 65.1; 280/DIG. 5,752; 296/70

FIG. 1 is a top plan view of a combined instrument panel and steering column;

FIG. 2 is a bottom plan view;

FIG. 3 is a left side elevational view;

FIG. 4 is a right side elevational view;

FIG. 5 is a front view;

FIG. 6 is a rear view; and,

FIG. 7 is a perspective view.

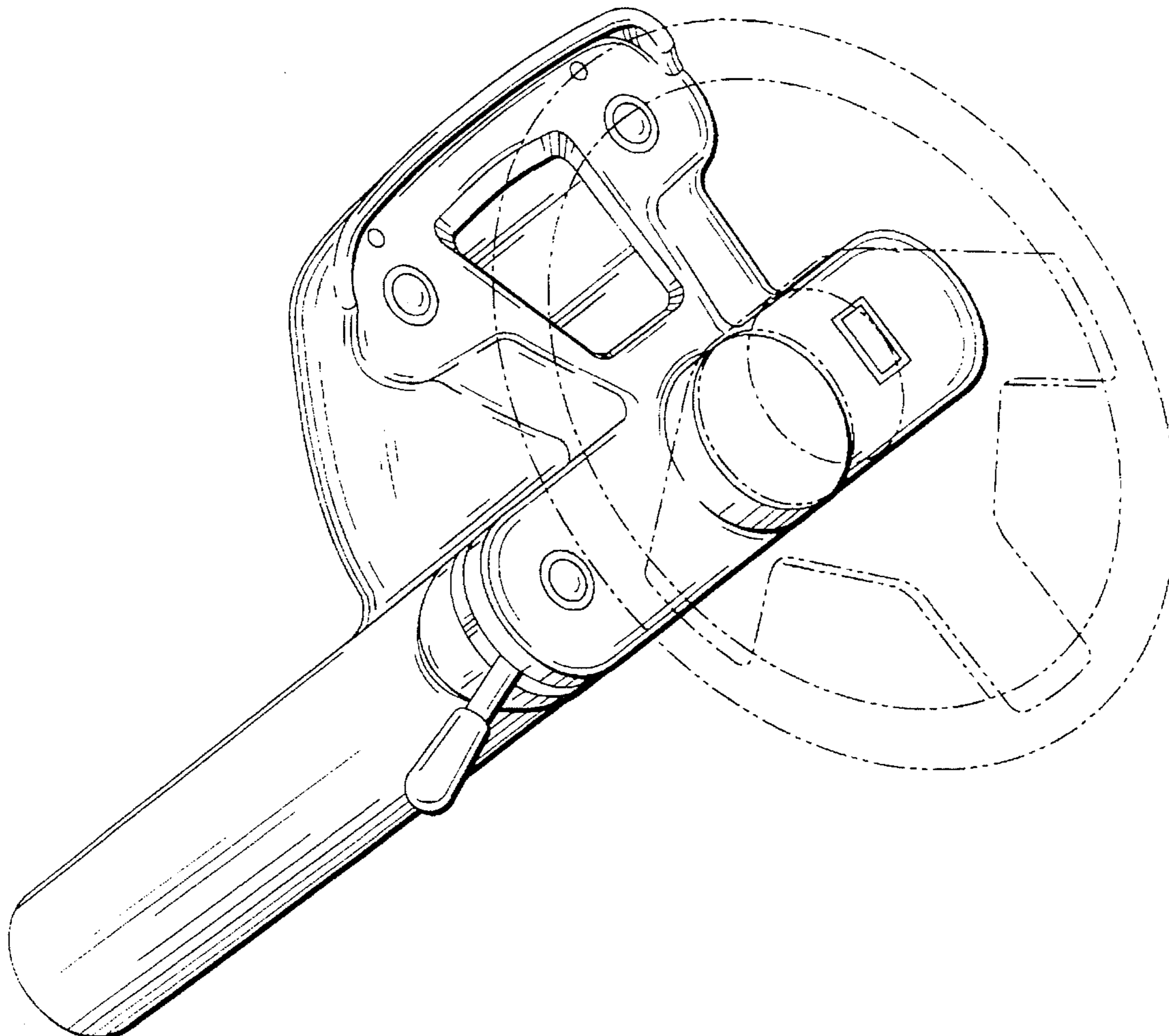
The broken lines are shown in the views for illustrative purposes only and form no part of the claimed design.

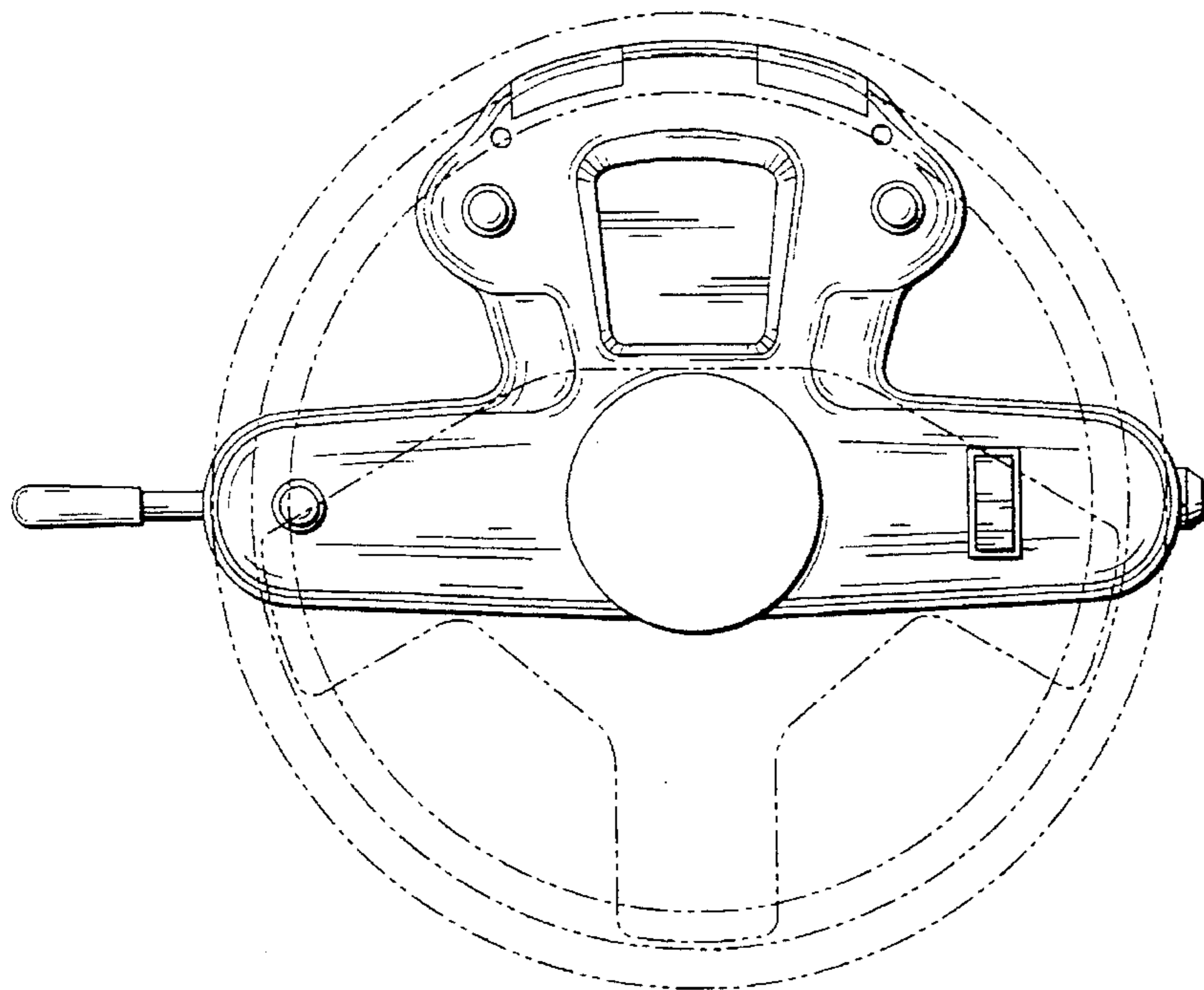
### [56] References Cited

#### U.S. PATENT DOCUMENTS

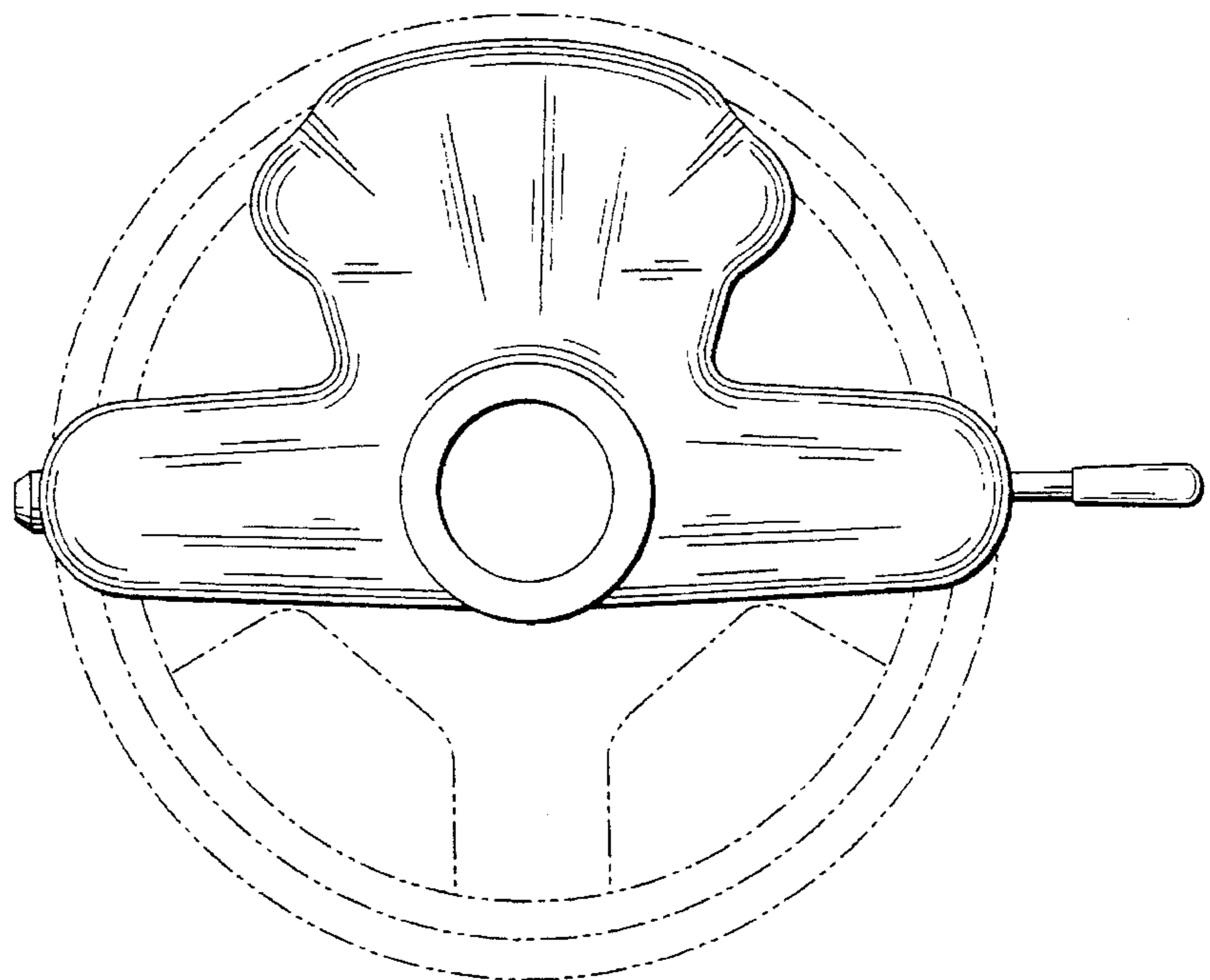
D. 92,066	4/1934	Ellis	.....	D12/192
D. 94,395	1/1935	Tjaarda	.....	D12/192
D. 222,963	2/1972	Fuller	.....	D12/192
2,023,719	12/1935	Arrison	.....	296/70 X
4,447,860	5/1984	Stone et al.	.....	296/70 X

**1 Claim, 4 Drawing Sheets**



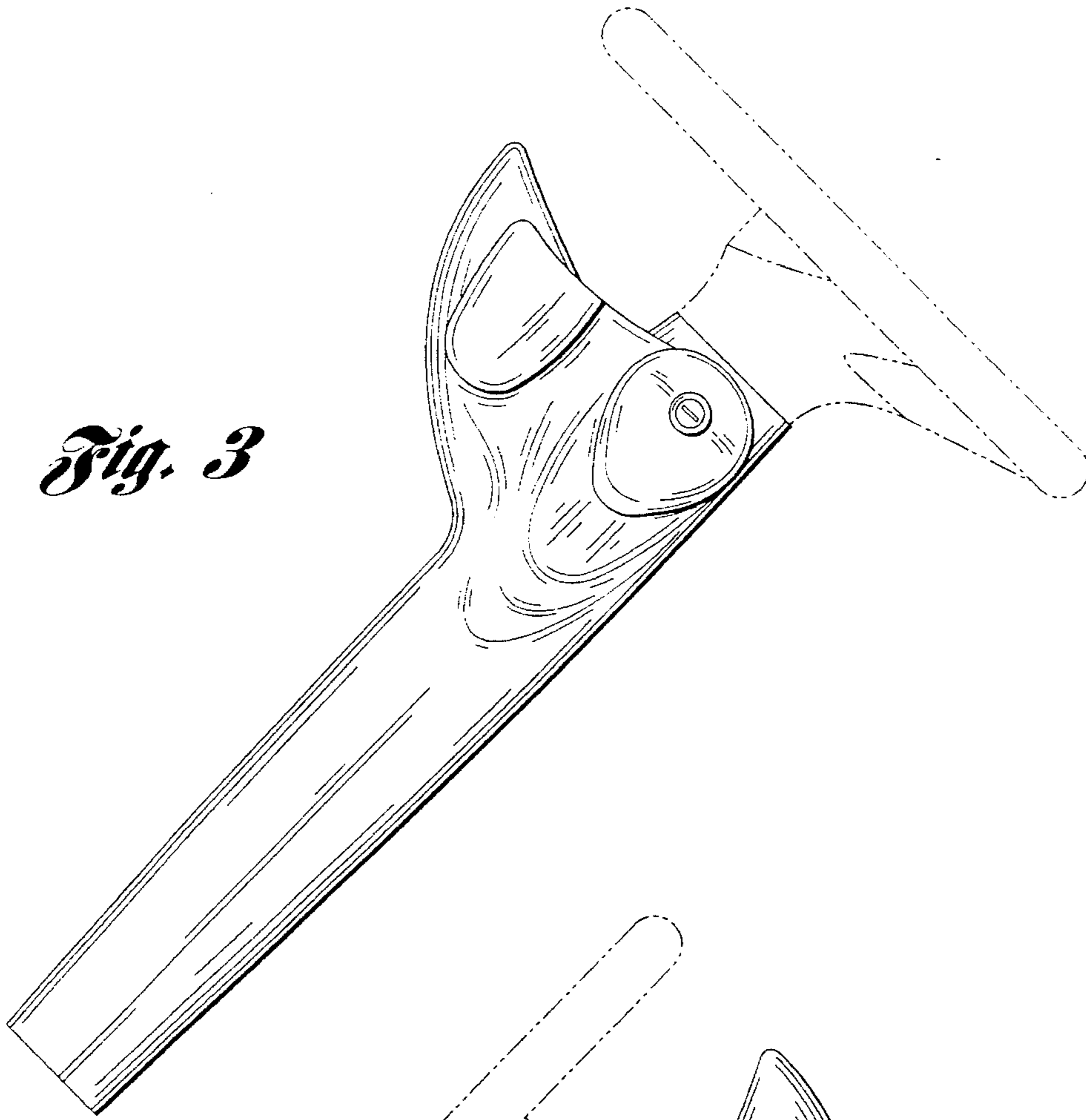


*Fig. 1*

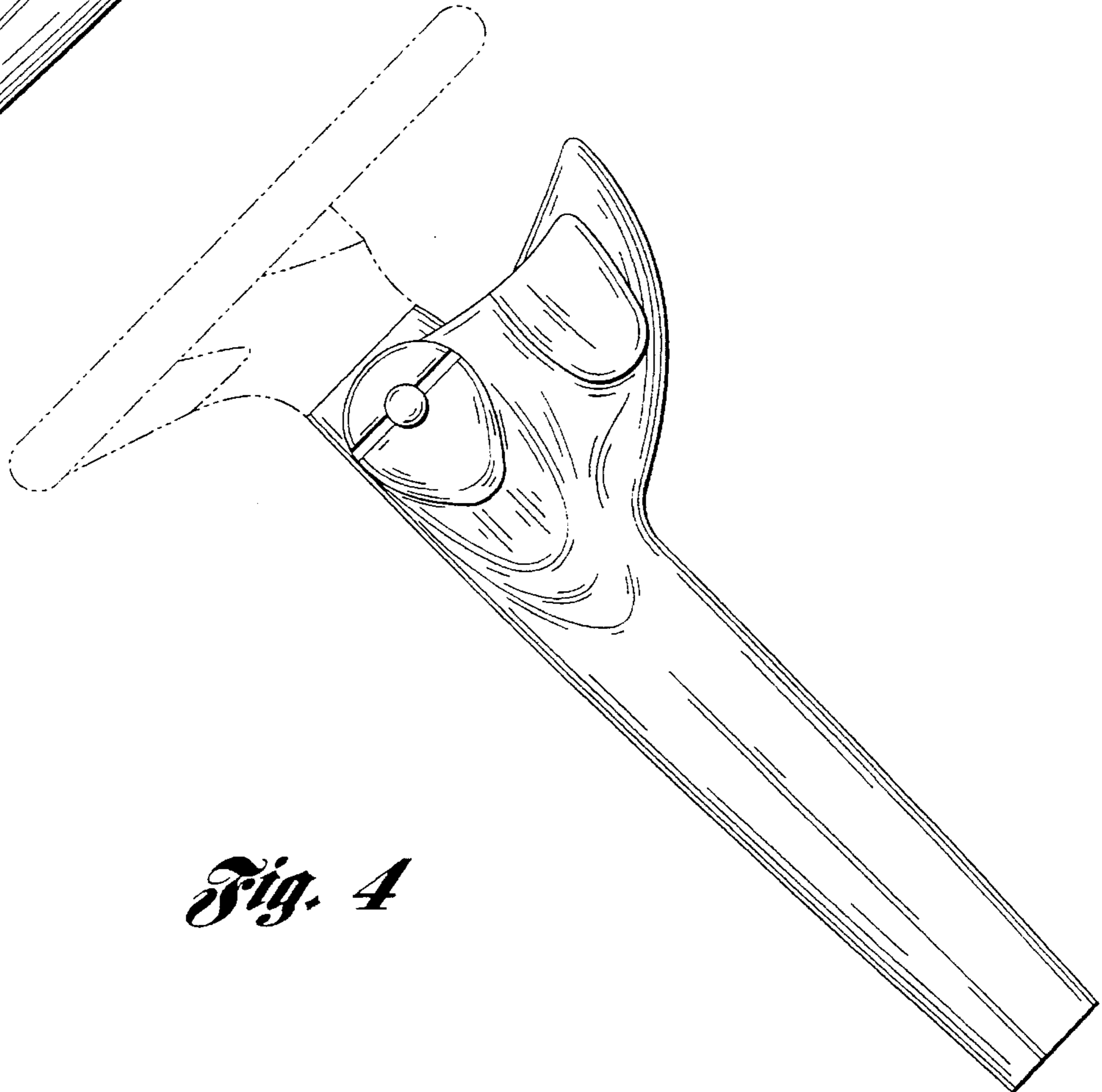


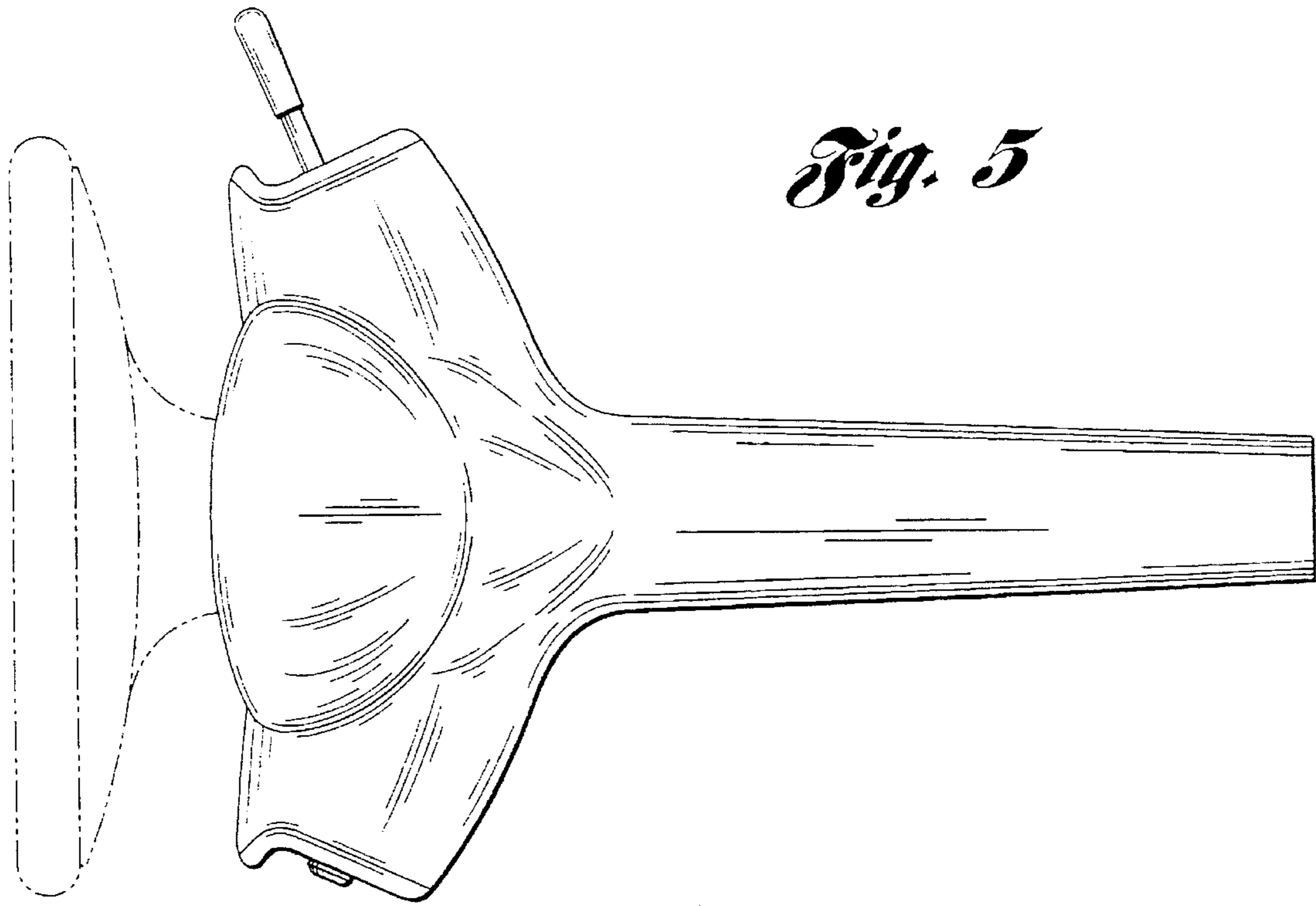
*Fig. 2*

*Fig. 3*

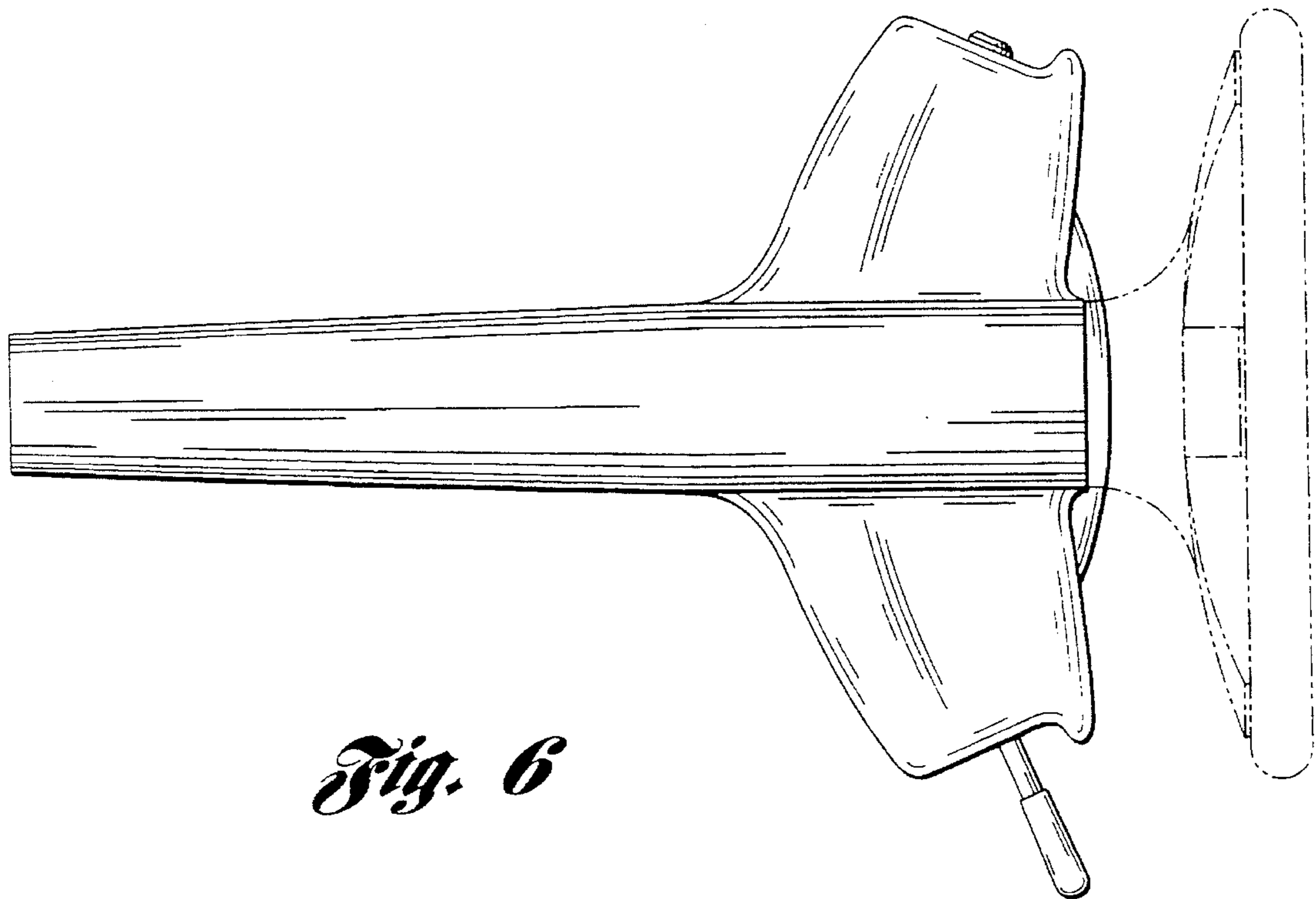


*Fig. 4*

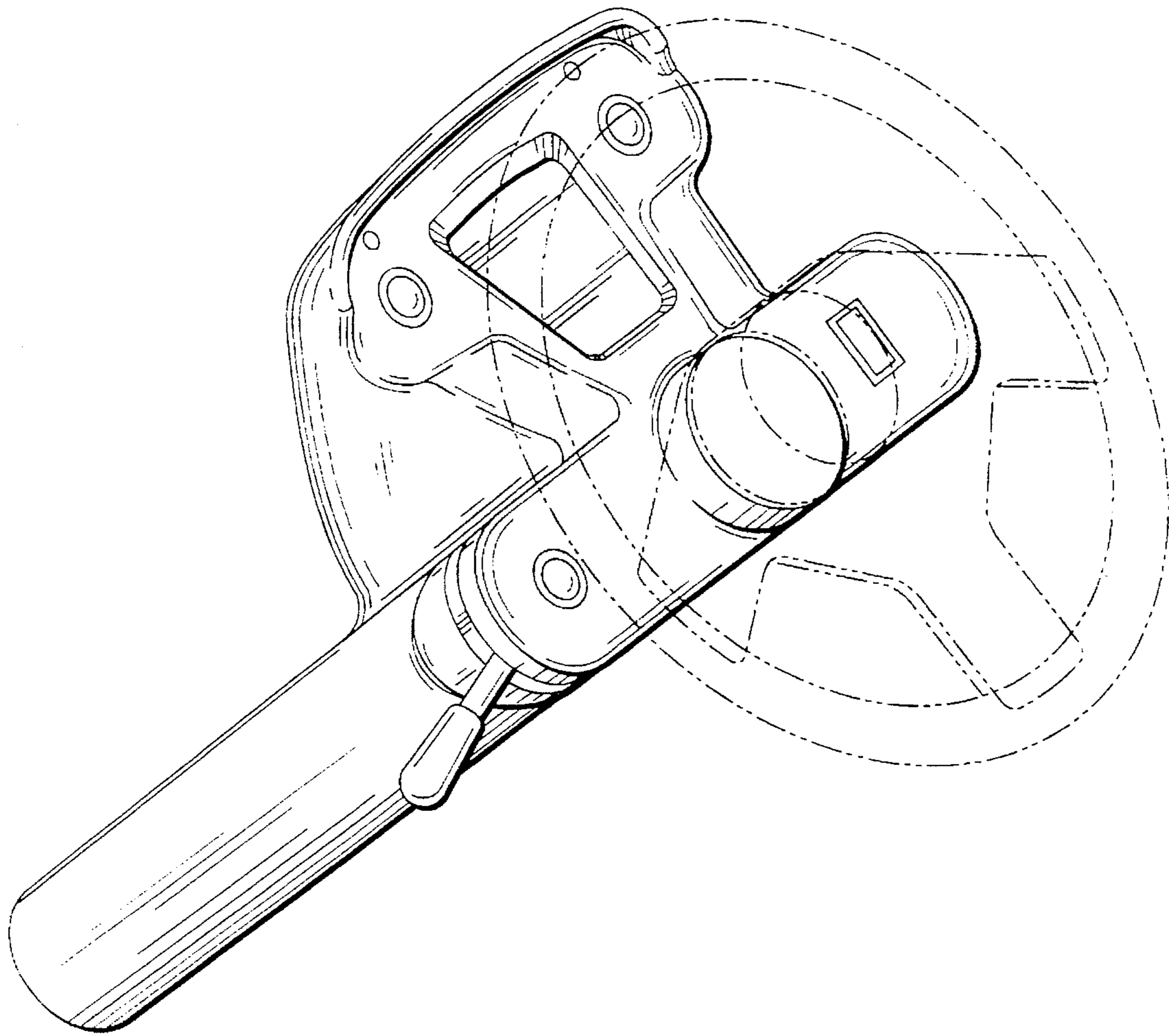




*Fig. 5*



*Fig. 6*



*Fig. 7*