



US00D378583S

United States Patent [19] Aitken, III

[11] Patent Number: **Des. 378,583**

[45] Date of Patent: ****Mar. 25, 1997**

[54] **TRAILER**

4,536,001 8/1985 Wagner 280/204

[75] Inventor: **King P. Aitken, III, Mahomet, Ill.**

OTHER PUBLICATIONS

[73] Assignee: **American Legend Motorcycle Trailers, Inc., Mahomet, Ill.**

American Iron Magazine, Dec. 1995, p. 41.

[**] Term: **14 Years**

Primary Examiner—Melody N. Brown

Attorney, Agent, or Firm—Lockwood, Alex, Fitzgibbon & Cummings

[21] Appl. No.: **50,691**

[57] CLAIM

[22] Filed: **Feb. 23, 1996**

The ornamental design for a trailer, as shown and described.

[52] U.S. Cl. **D12/102**

DESCRIPTION

[58] Field of Search D12/101, 102;
280/204, 418.1; 296/190

[56] References Cited

U.S. PATENT DOCUMENTS

D. 240,213	6/1976	Beckwith, Jr.	D12/102
D. 267,937	2/1983	Conroy et al.	D12/102
D. 268,101	3/1983	Pope et al.	D12/102
D. 268,178	3/1983	Reid	D12/102
D. 272,996	3/1984	Trabue et al.	D12/102
D. 313,955	1/1991	van der Merwe et al.	D12/102
D. 318,841	8/1991	Lemire	D12/102
4,057,283	11/1977	Barnett	280/204

FIG. 1 is a perspective view illustrating a trailer in accordance with my invention;

FIG. 2 is side elevation view of the trailer shown in FIG. 1 with the opposite side being substantially identical to the side shown;

FIG. 3 is a top plan view of the trailer;

FIG. 4 is a rear elevation view of the trailer; and,

FIG. 5 is a front elevation view of the trailer.

The broken lines shown in the FIGS. 1-4 drawing views are for illustrative purposes only and form no part of the claimed design.

1 Claim, 2 Drawing Sheets

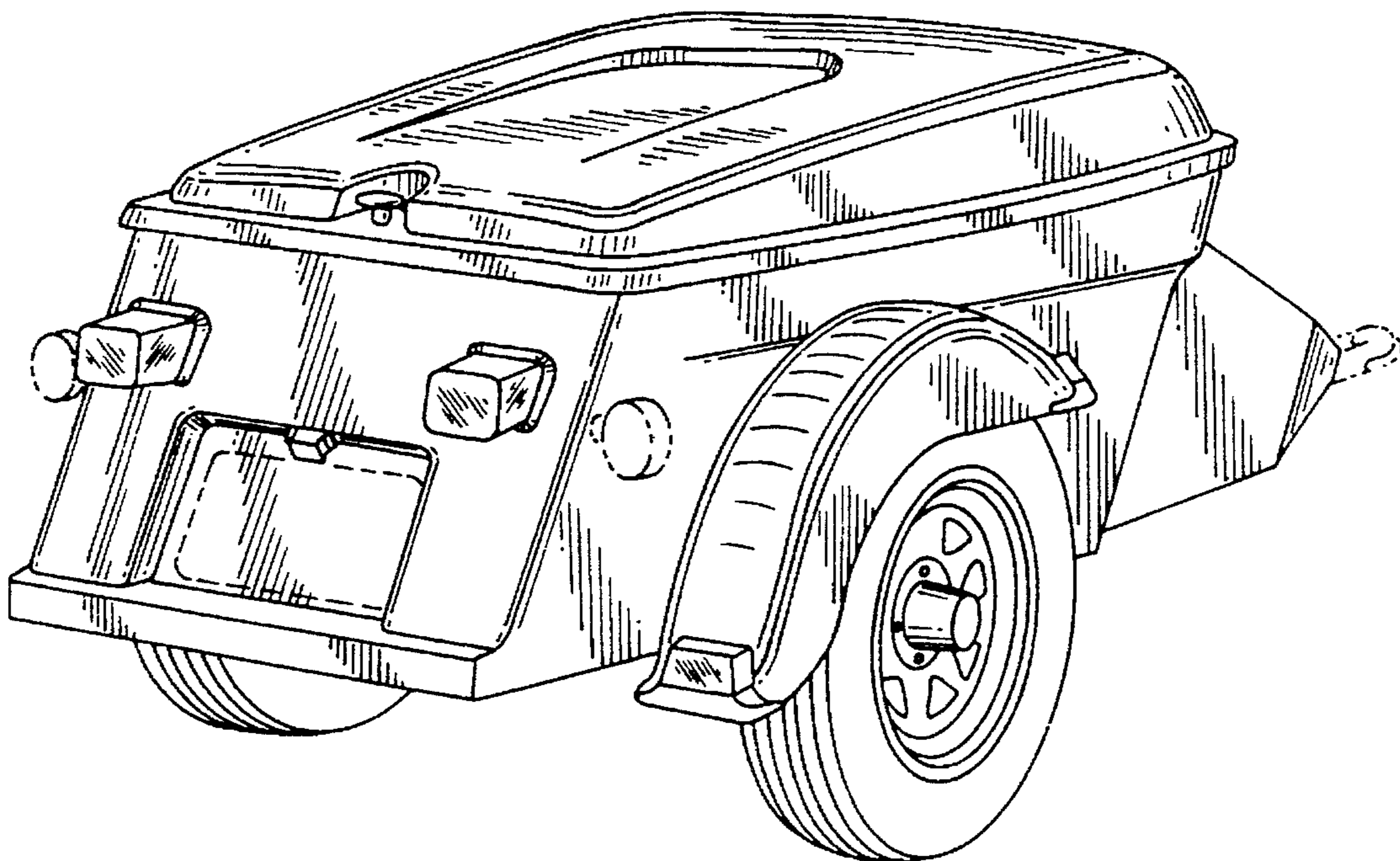


FIG. 1

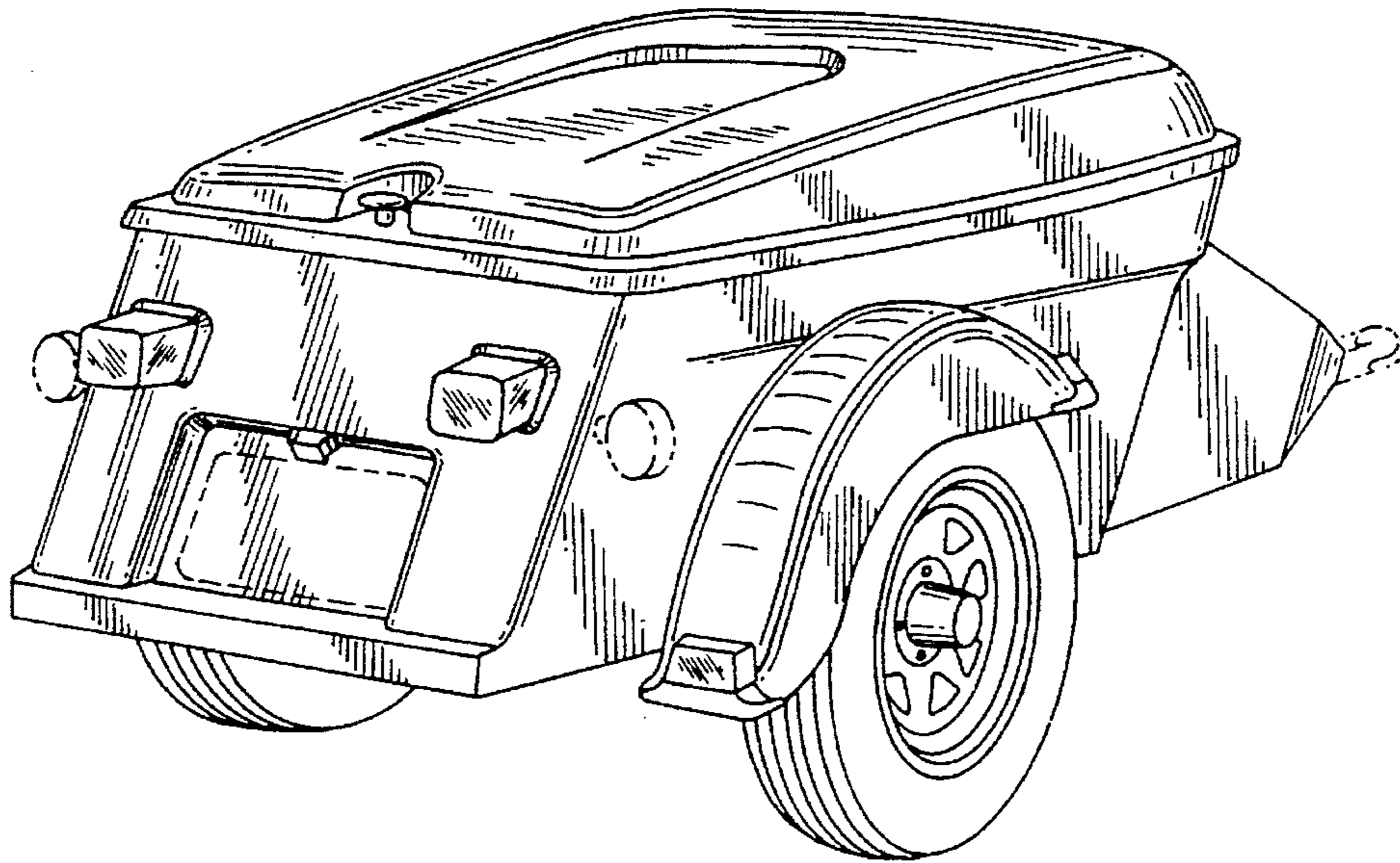


FIG. 2

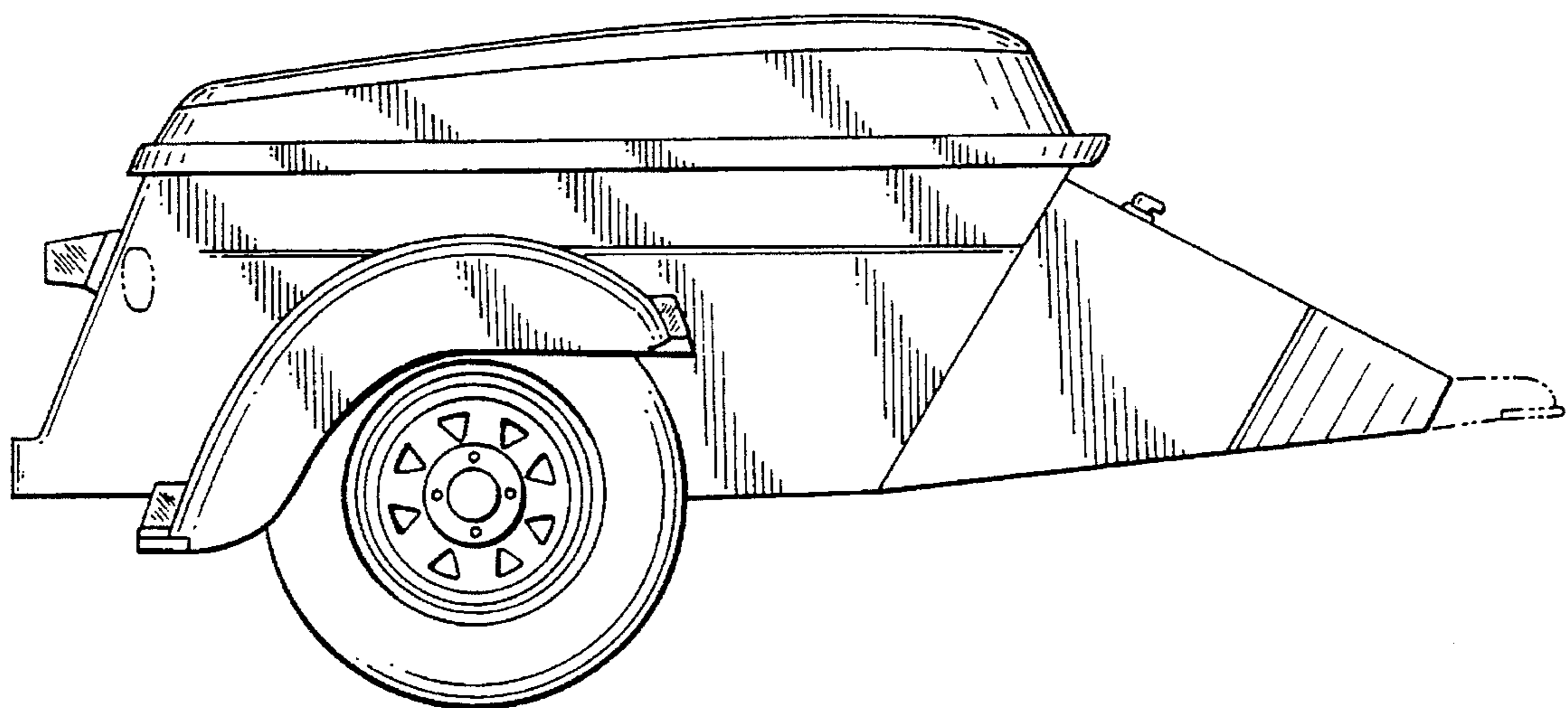


FIG. 3

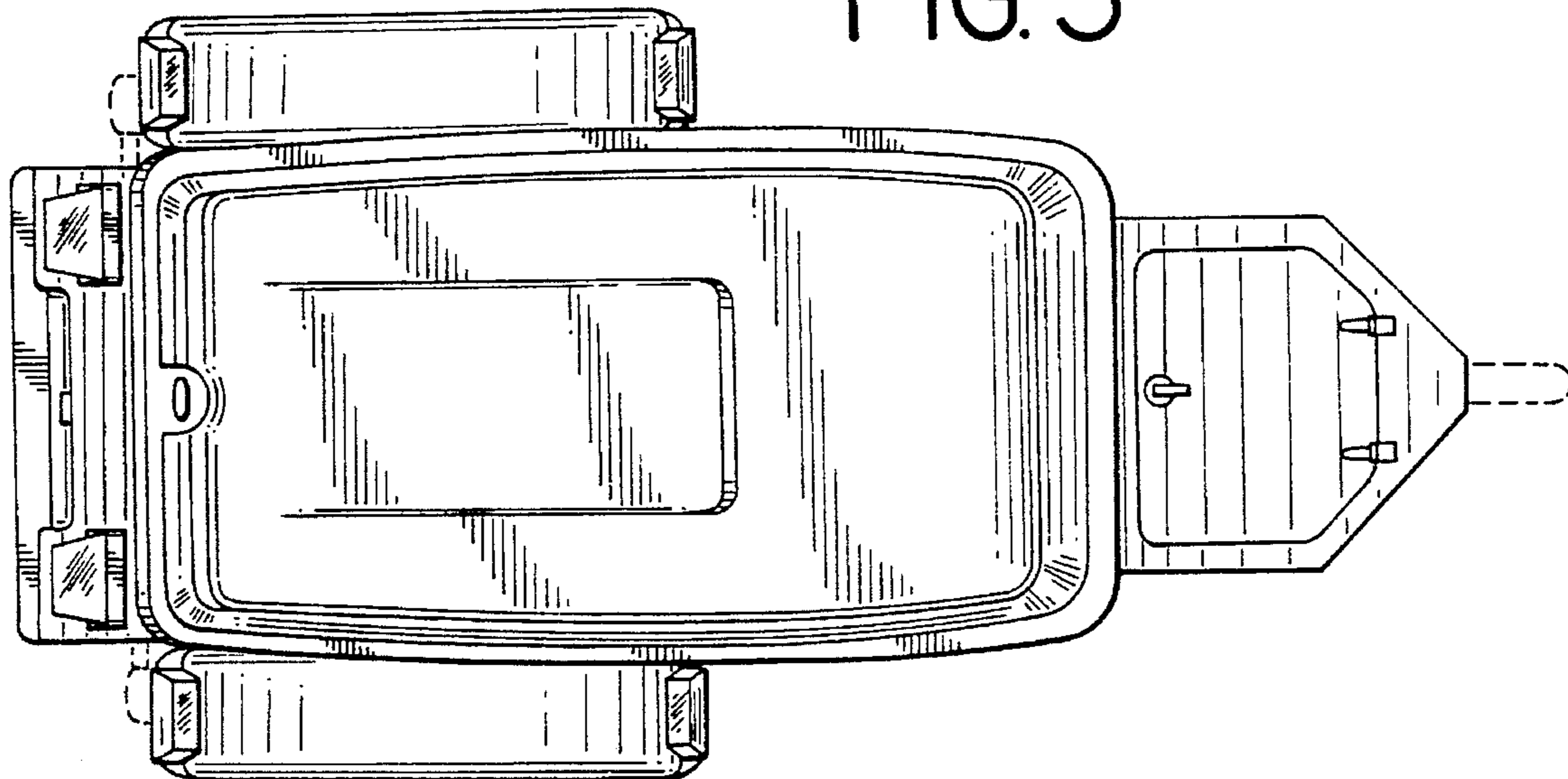


FIG. 4

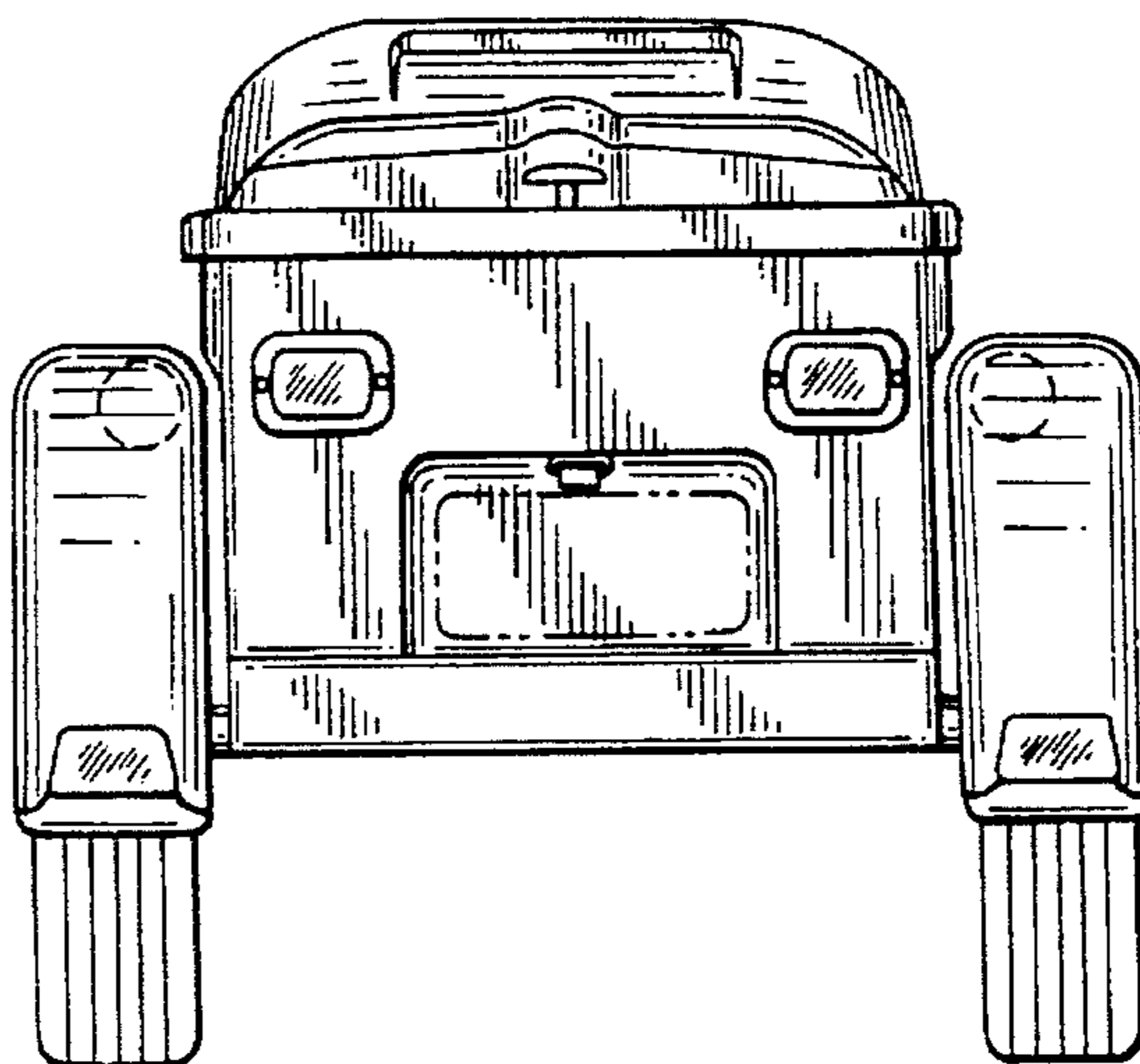


FIG. 5

