



US00D378582S

United States Patent [19]

Zimmerman

[11] Patent Number: **Des. 378,582**

[45] Date of Patent: ****Mar. 25, 1997**

[54] **BELT KEEPER**

[76] Inventor: **Richard B. Zimmerman**, 5104 N. 32nd St., #121, Phoenix, Ariz. 85018

[**] Term: **14 Years**

[21] Appl. No.: **36,733**

[22] Filed: **Mar. 27, 1995**

[52] U.S. Cl. **D11/231**

[58] Field of Search D11/1, 2, 200, D11/231-234; 24/180; D2/62.1

[56] **References Cited**

U.S. PATENT DOCUMENTS

| | | | |
|-----------|---------|----------------|---------|
| 45,088 | 11/1864 | Shepard | 24/180 |
| D. 85,568 | 11/1931 | Alterson | D11/200 |
| 1,012,864 | 12/1911 | King | 24/180 |
| 2,342,210 | 2/1944 | Murphey | D11/231 |
| 4,419,792 | 12/1983 | Kohli | D11/234 |

Primary Examiner—Ralf Seifert

[57] **CLAIM**

The ornamental design for a belt keeper, as shown and described.

DESCRIPTION

FIG. 1 is a perspective view of a belt keeper showing my new design, the broken line showing of a belt is for illustrative purposes only and forms no part of the claimed design;

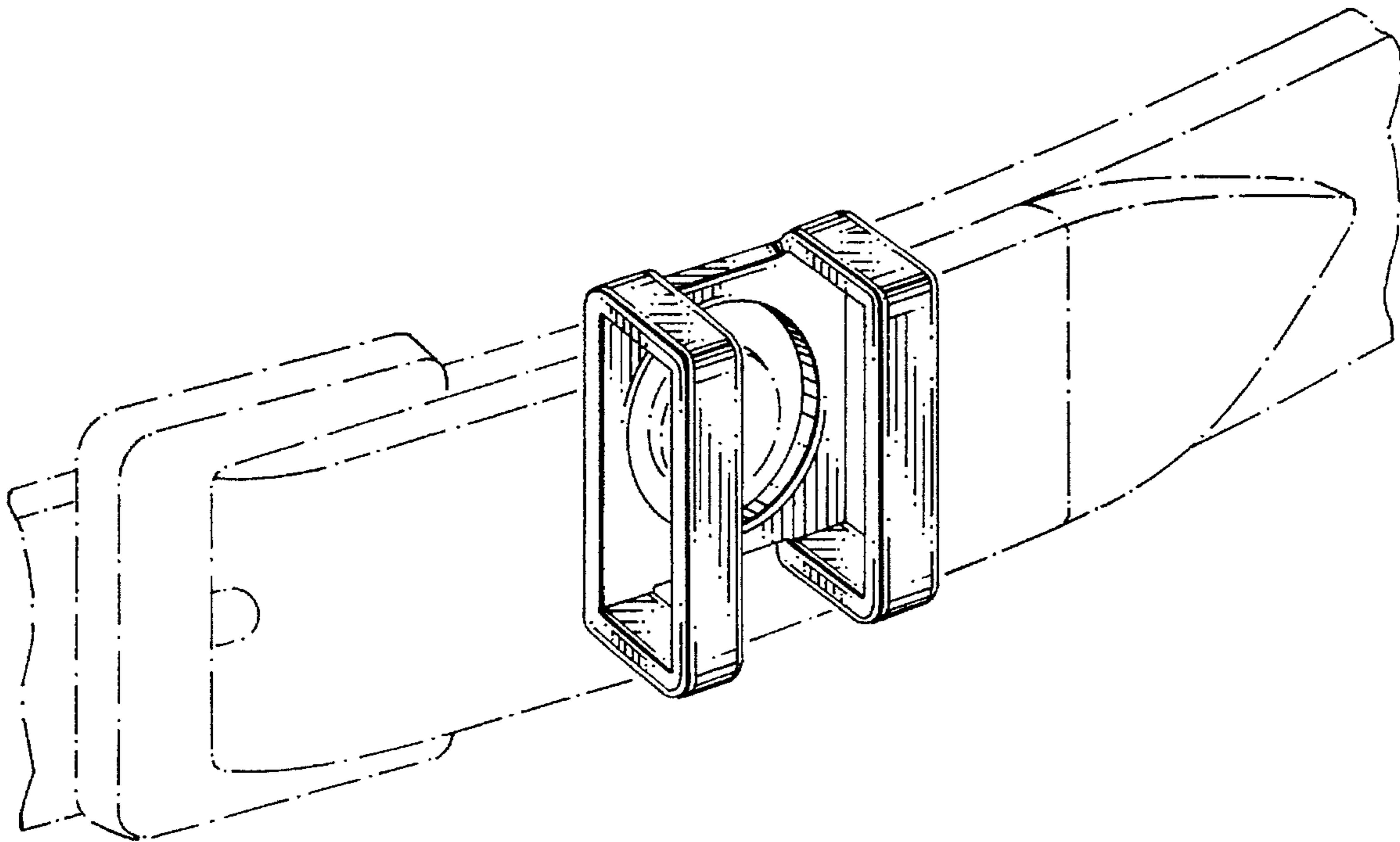
FIG. 2 is a front elevational view;

FIG. 3 is a rear elevational view;

FIG. 4 is a right side elevational view, the left side being a mirror image; and,

FIG. 5 is a top plan view, the opposite side being a mirror image.

1 Claim, 1 Drawing Sheet



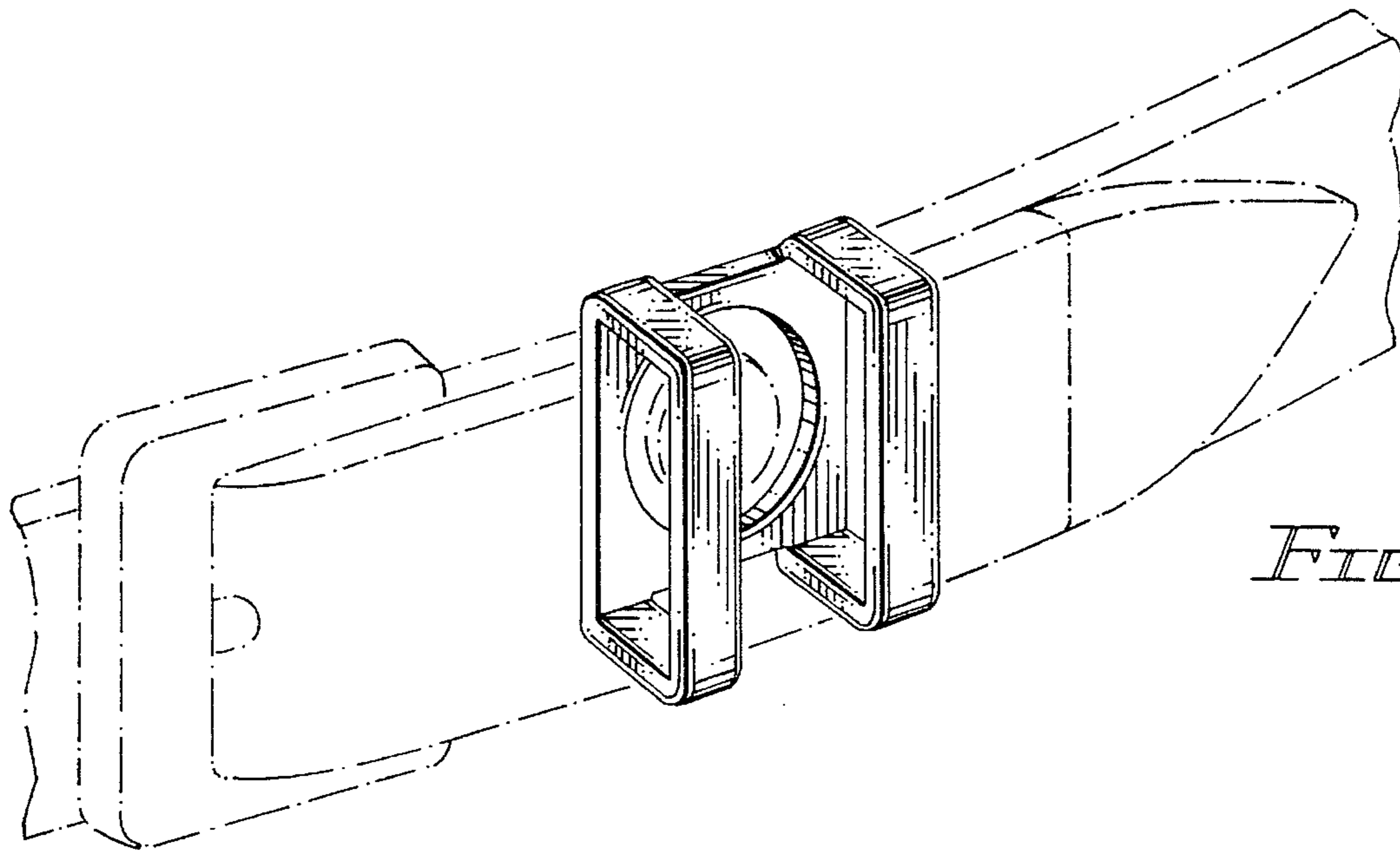


FIG. 1

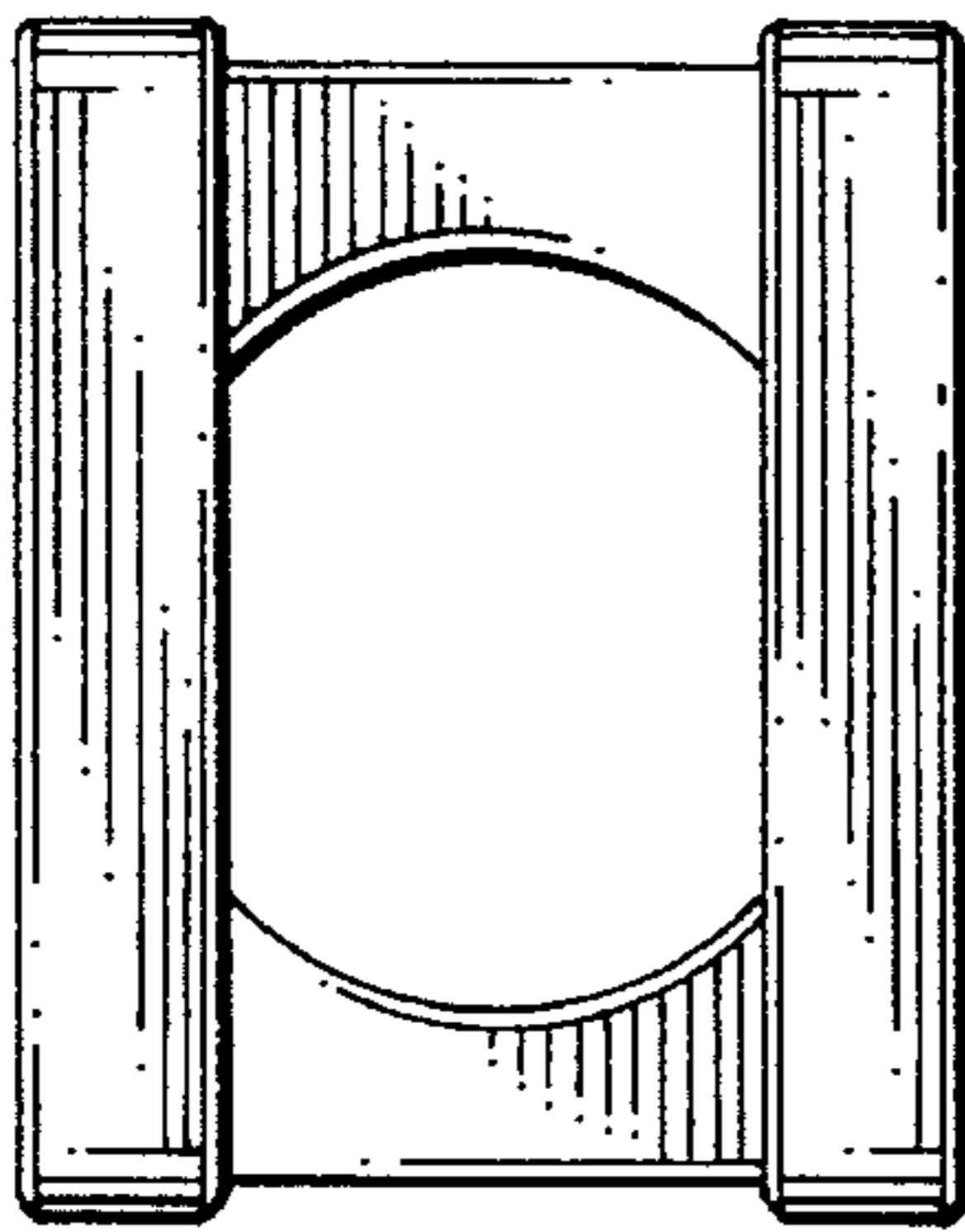


FIG. 2

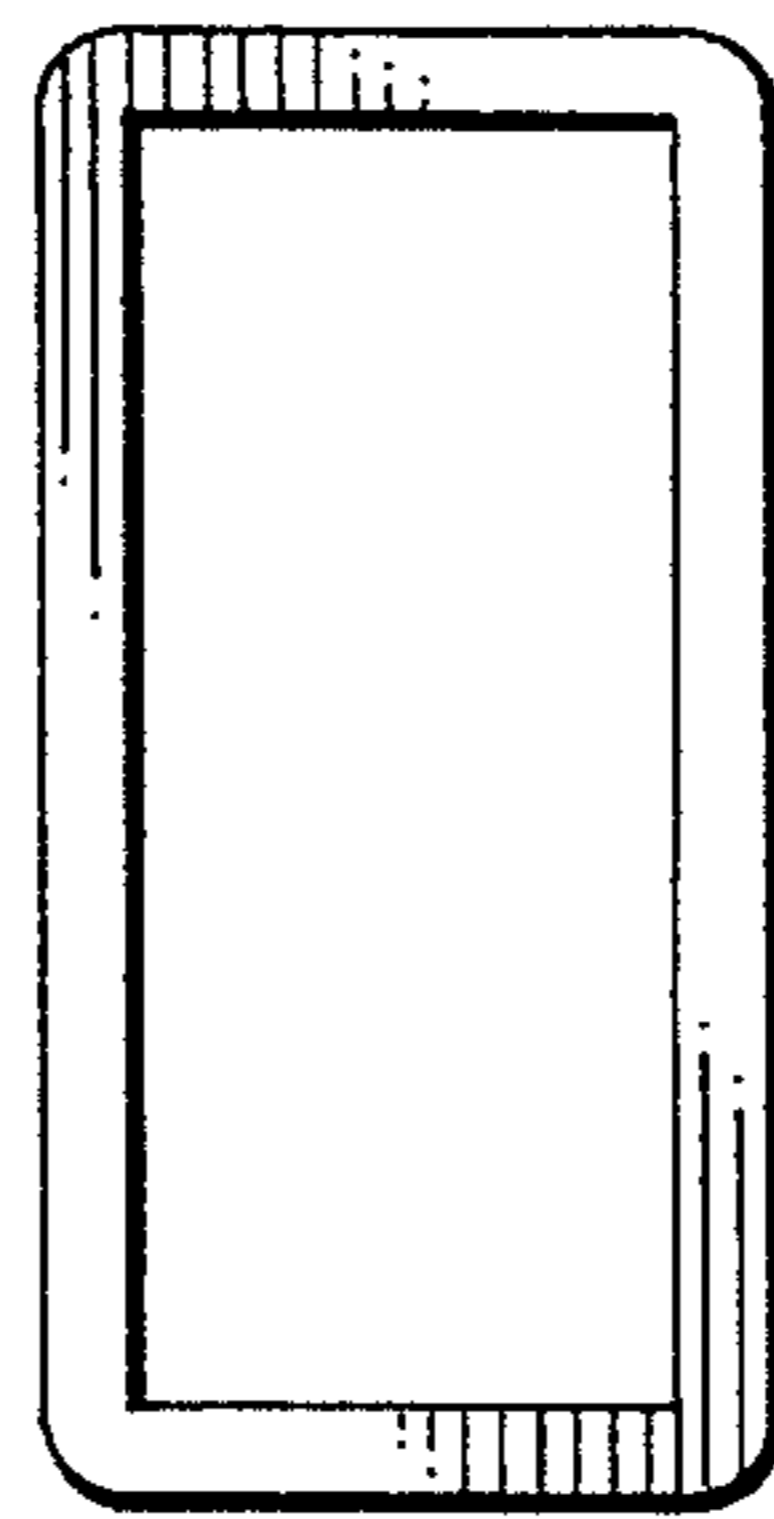


FIG. 4

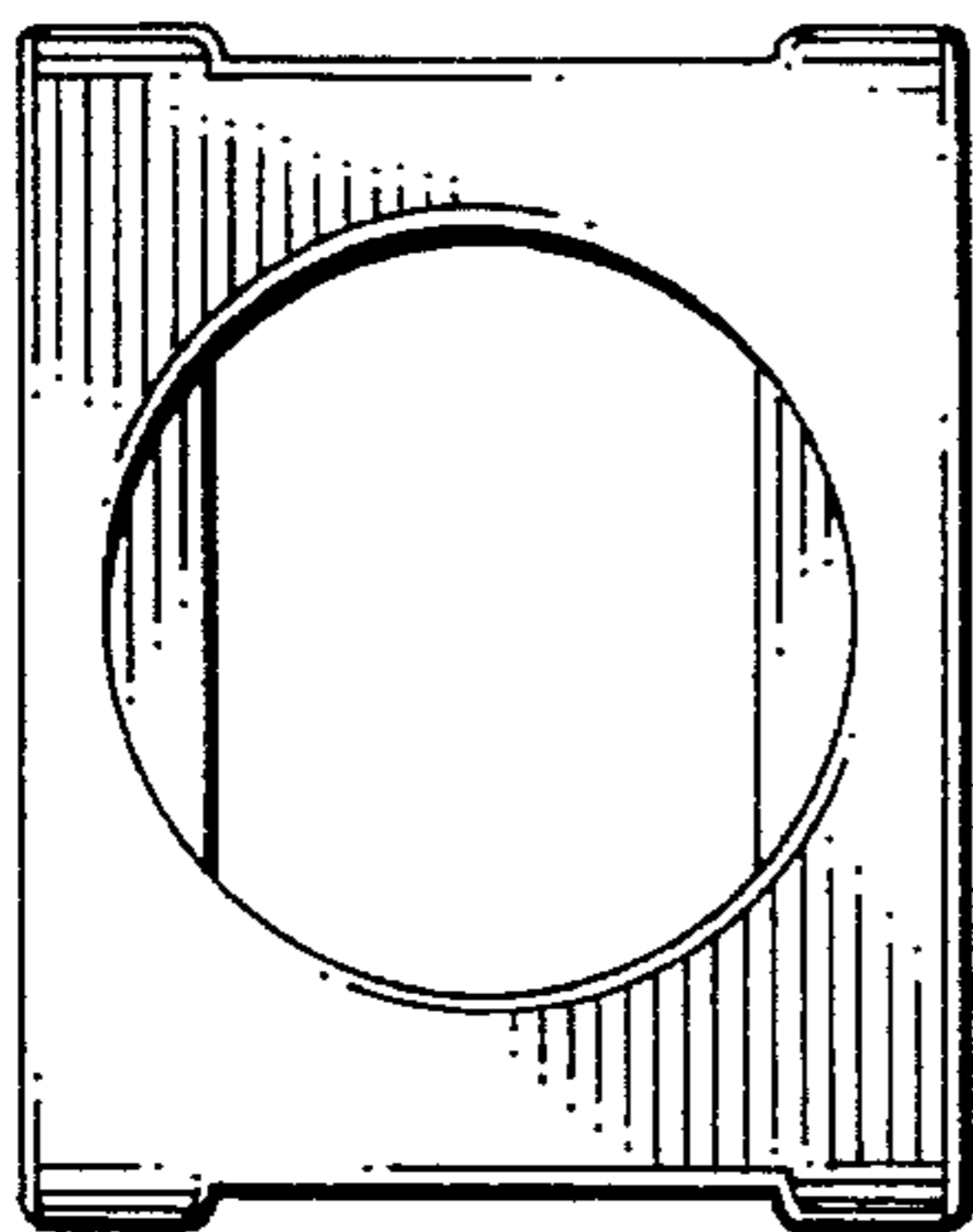


FIG. 3

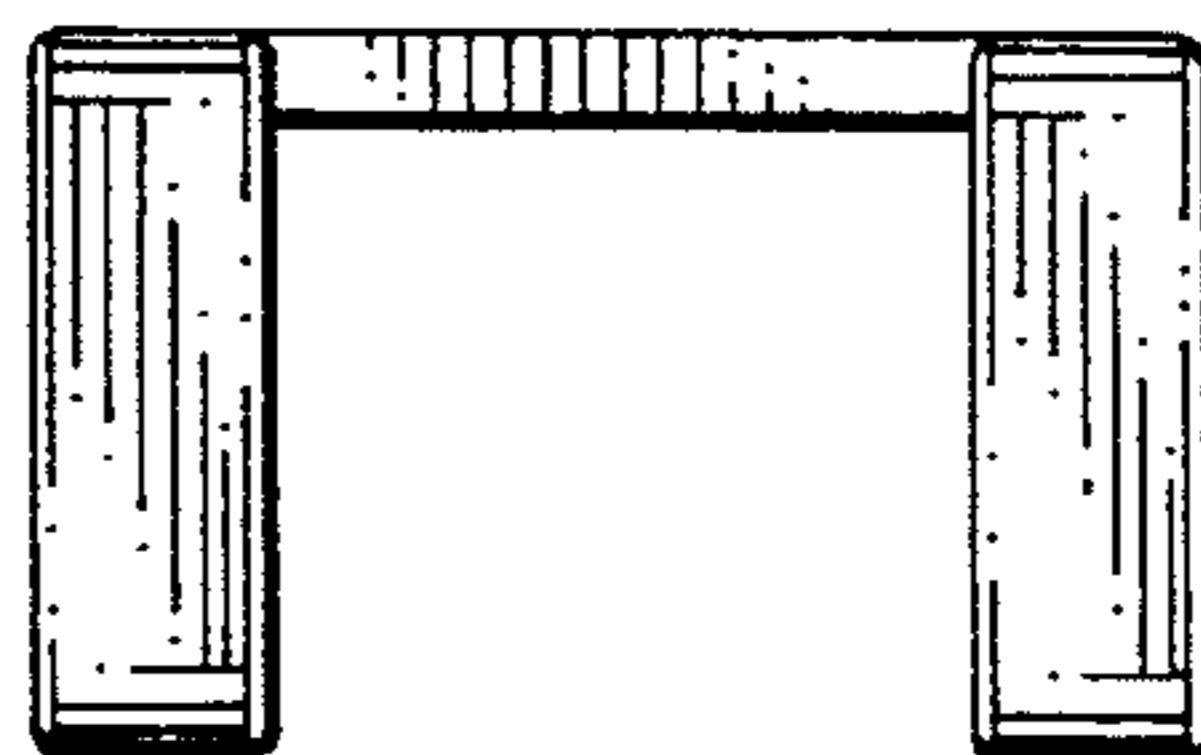


FIG. 5