



US00D378580S

United States Patent [19]

Fekete et al.

[11] Patent Number: **Des. 378,580**

[45] Date of Patent: ****Mar. 25, 1997**

[54] **FOB WITH AN ELECTRONIC TOKEN**

[75] Inventors: **Nicholas M. G. Fekete**, Richardson;
Elaine J. Gattenby, Allen; **Michael L. Bolan**, Dallas, all of Tex.

[73] Assignee: **Dallas Semiconductor Corporation**,
Dallas, Tex.

[**] Term: **14 Years**

[21] Appl. No.: **31,610**

[22] Filed: **Dec. 1, 1994**

[52] U.S. Cl. **D11/79; D11/95**

[58] Field of Search D11/1-2, 79, 95,
D11/116; 40/1.5; 63/1.1, 2; D20/22-28

[56] **References Cited**

U.S. PATENT DOCUMENTS

D. 318,438 7/1991 Lier D11/95
D. 359,756 6/1995 Ely D20/28

1,427,891 9/1922 Ziegler D11/3
1,824,161 9/1931 Lethert D11/95
3,295,651 1/1967 Klackowski et al. D11/95
4,236,331 12/1980 Mattson 40/1.5

Primary Examiner—Ralf Seifert
Attorney, Agent, or Firm—Jenkins & Gilchrist, P.C.

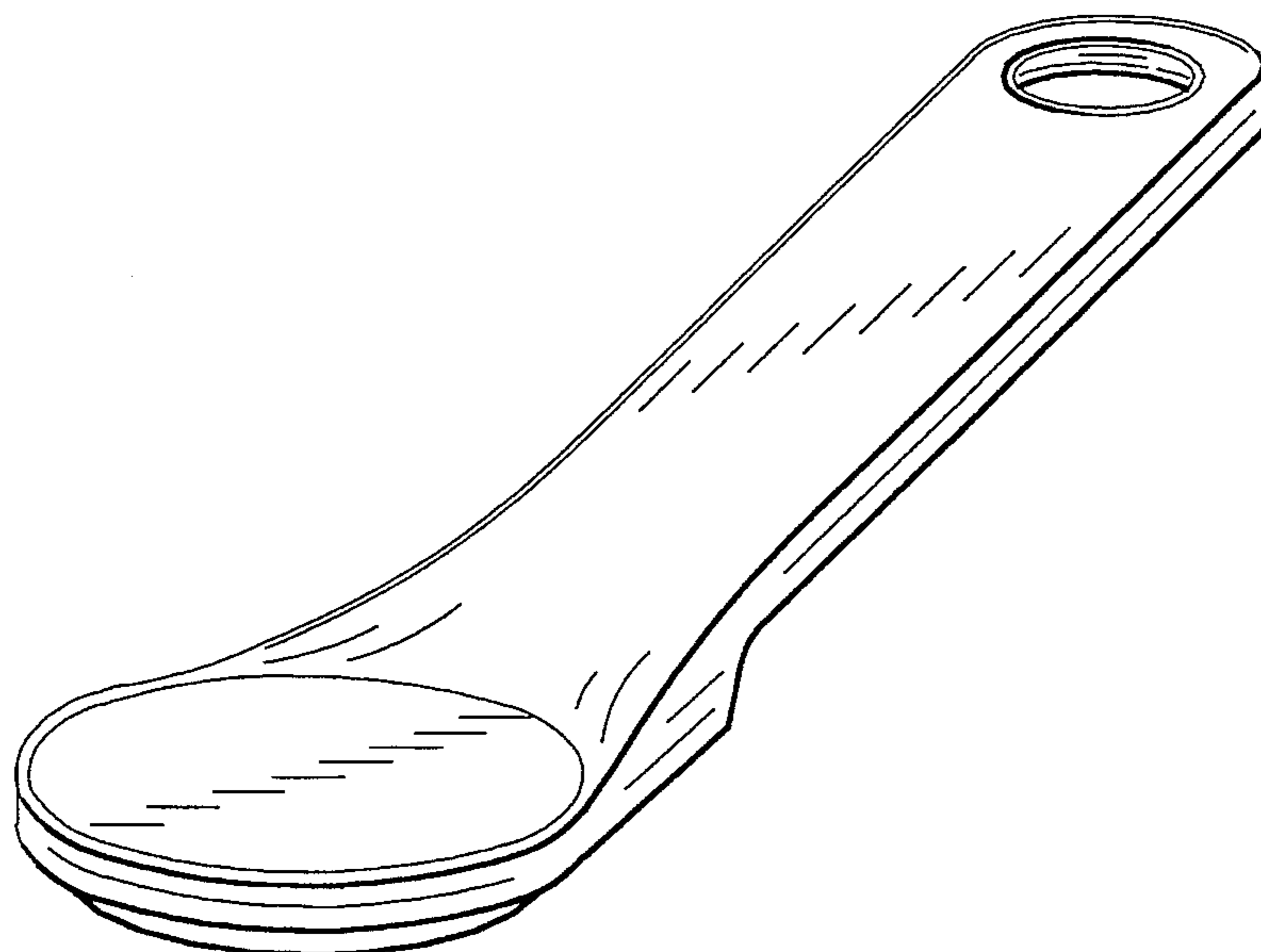
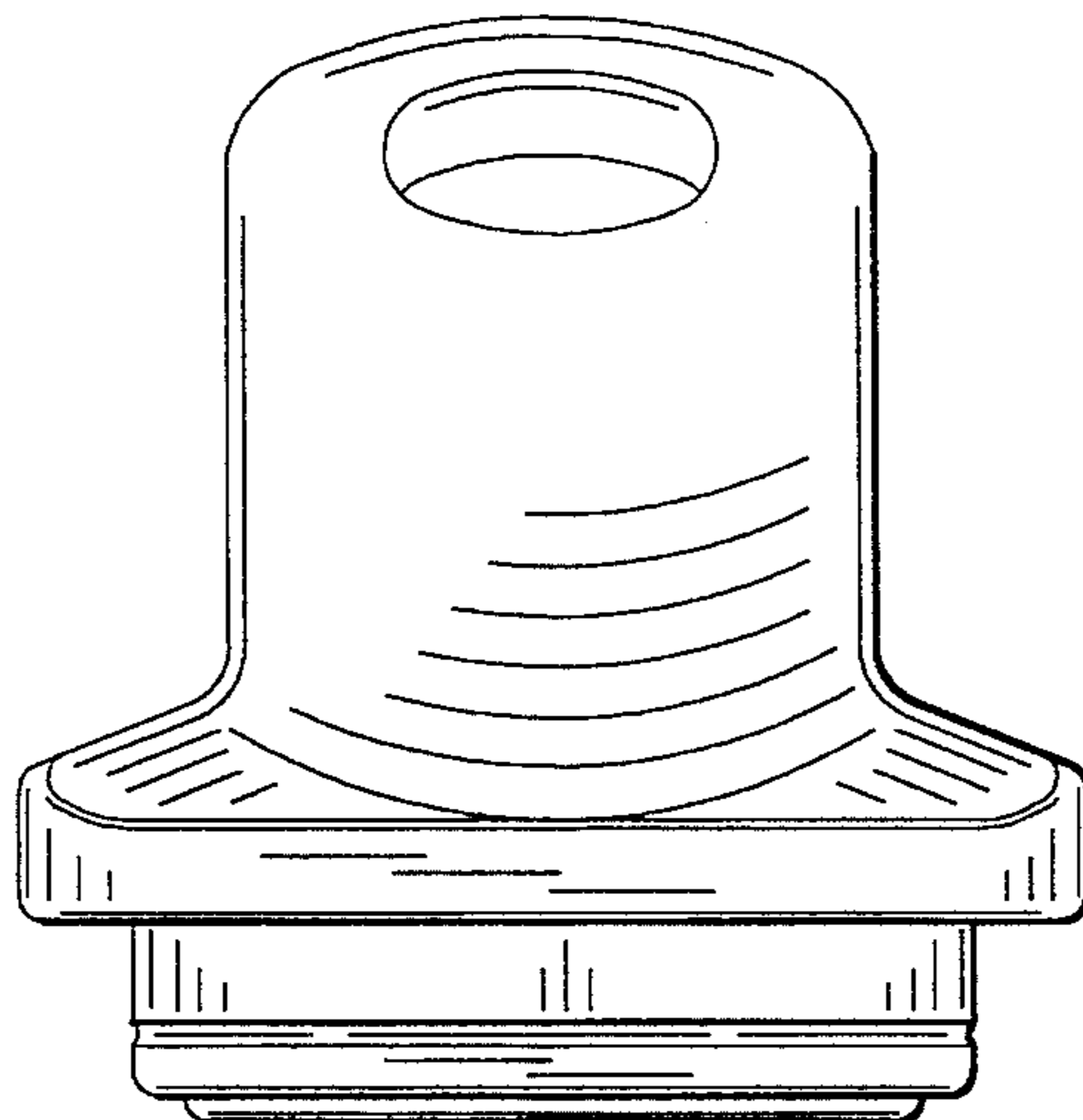
[57] **CLAIM**

The ornamental design for a fob with an electronic token, as shown and described.

DESCRIPTION

FIG. 1 is a front elevational view of a fob with an electronic token showing my new design;
FIG. 2 is a rear elevational view;
FIG. 3 is a side elevational view;
FIG. 4 is a top plan view;
FIG. 5 is a bottom plan view; and,
FIG. 6 is a perspective view.

1 Claim, 3 Drawing Sheets



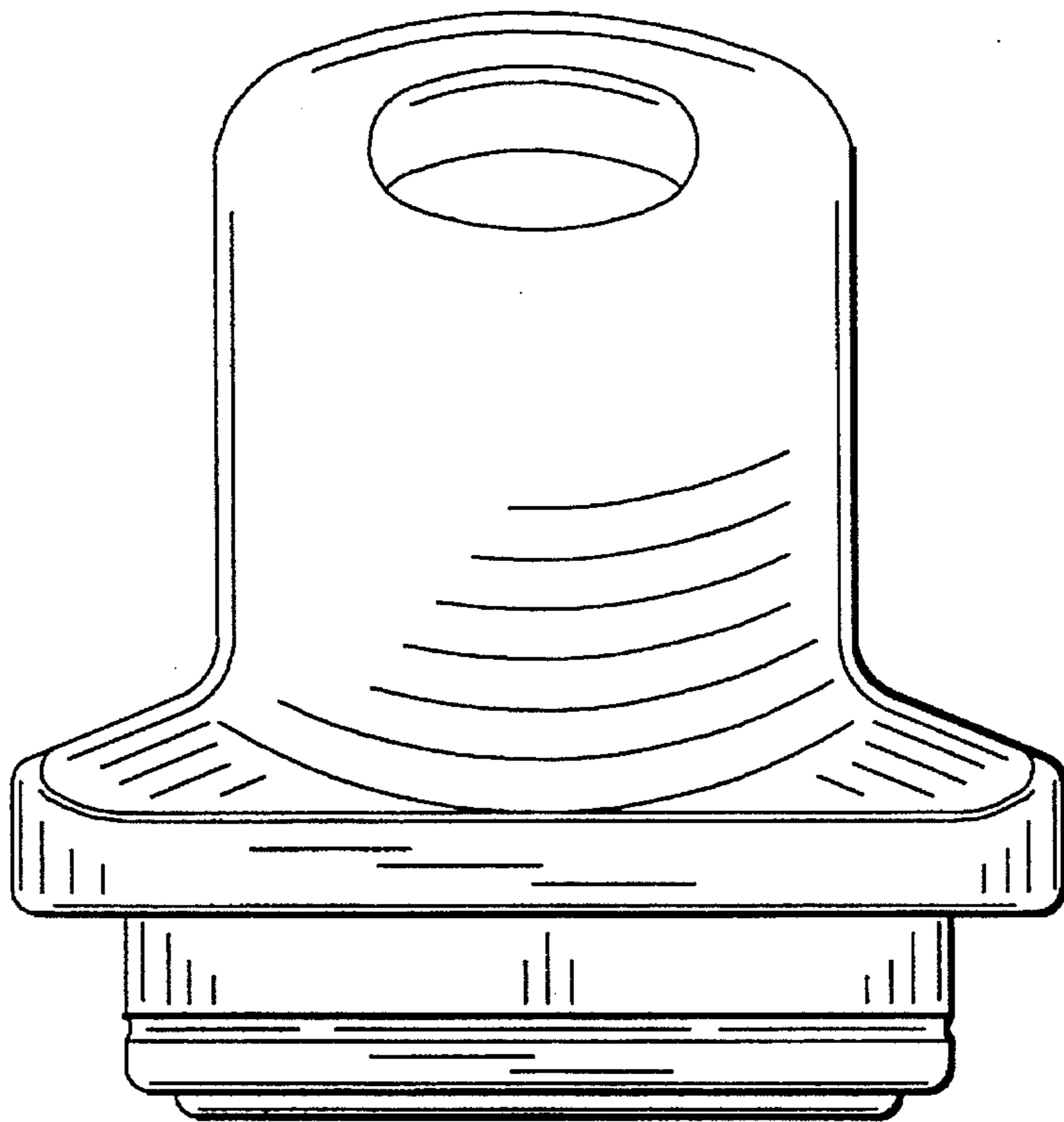


FIGURE 1

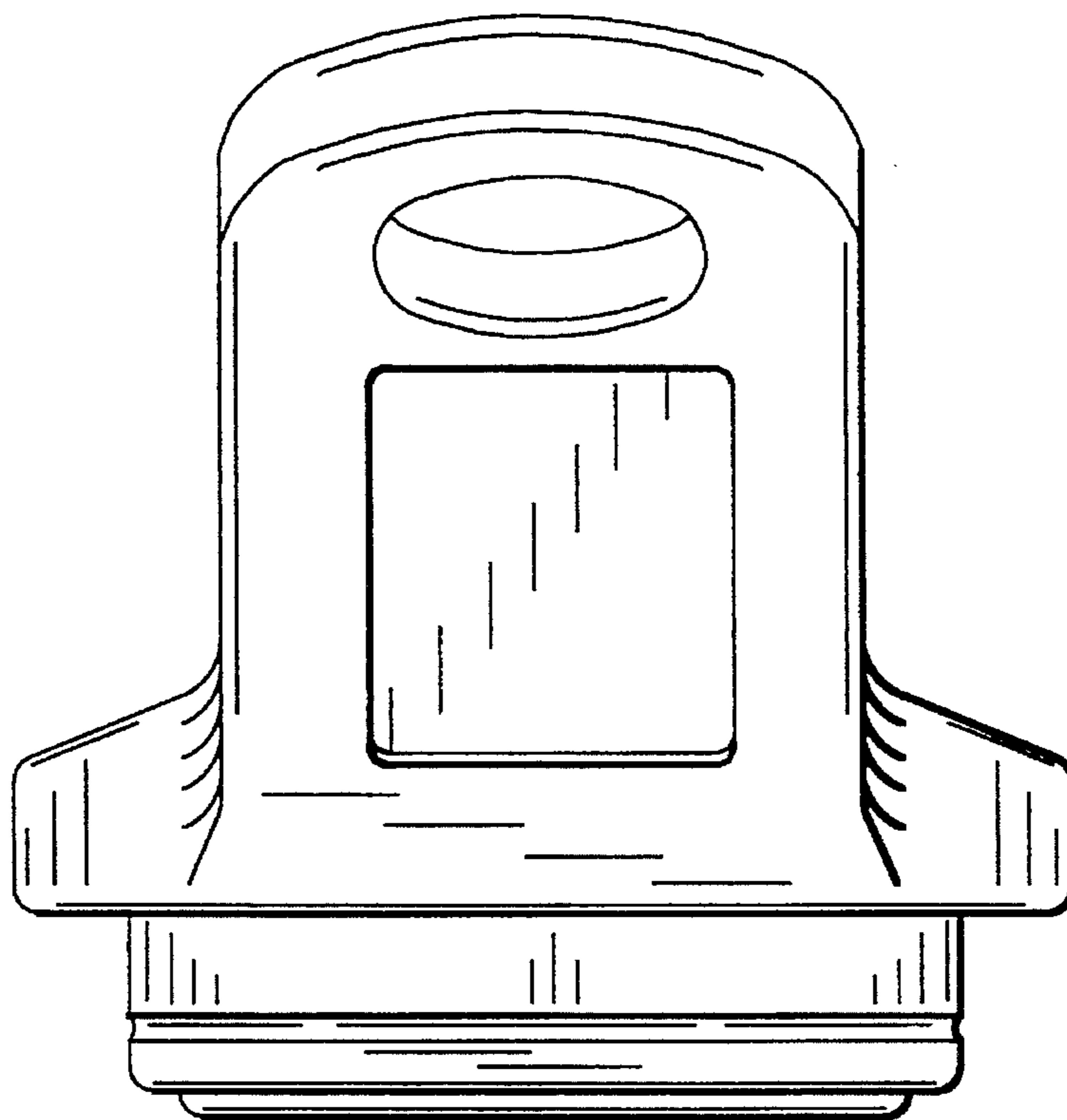


FIGURE 2

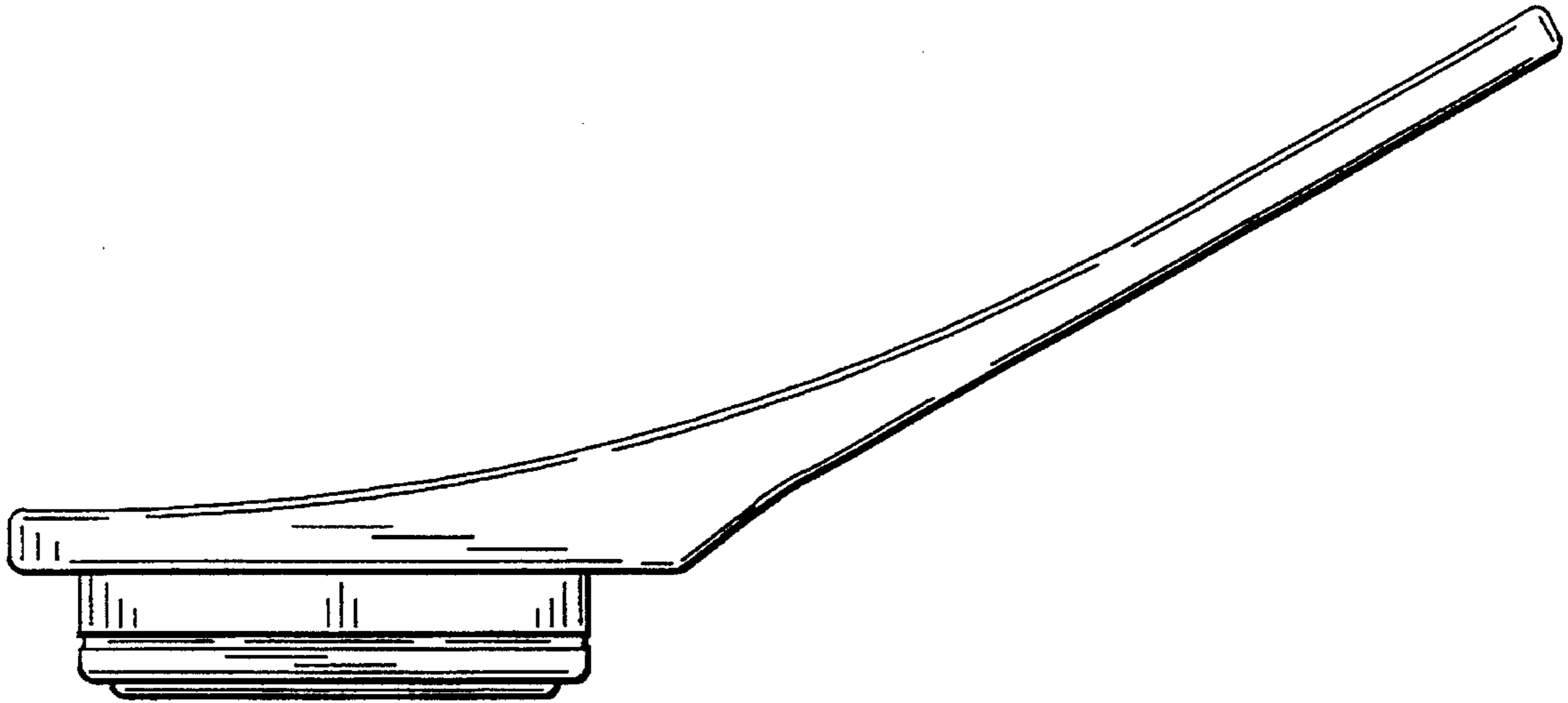


FIGURE 3

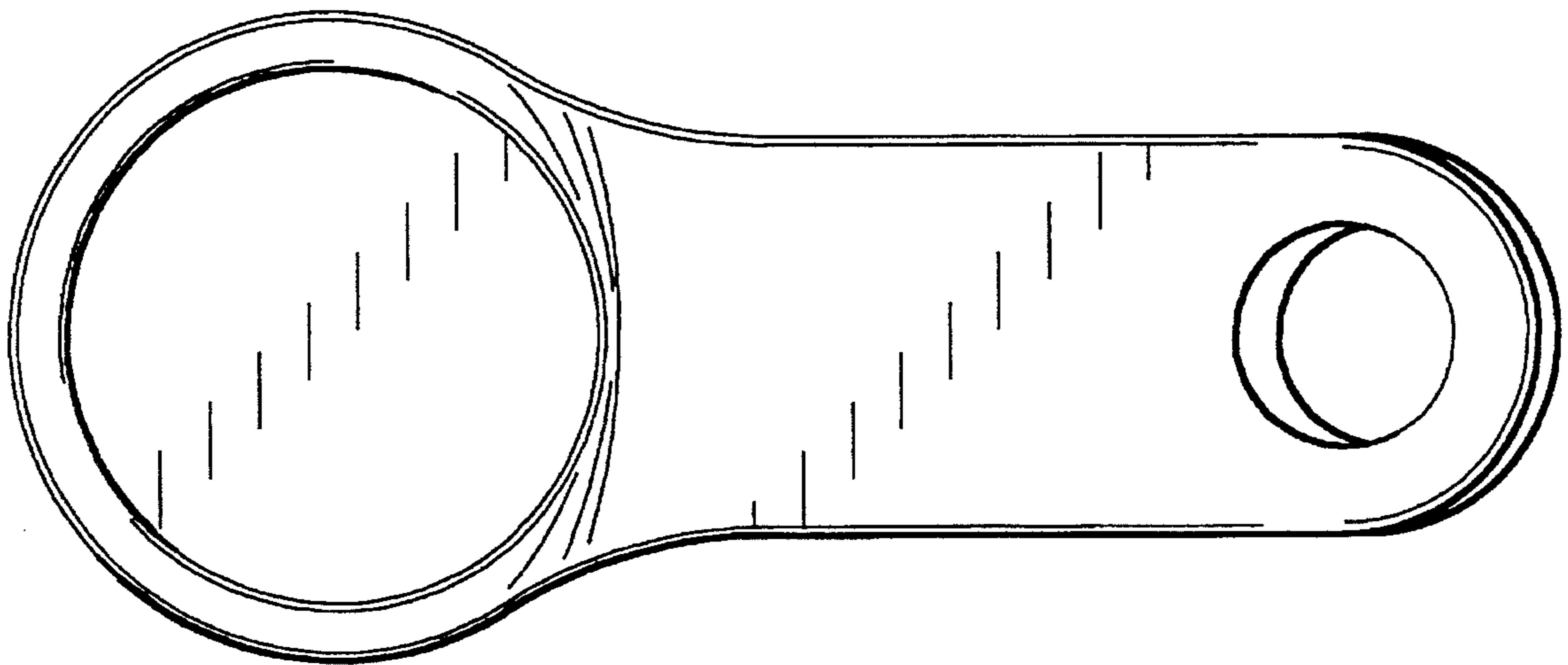


FIGURE 4

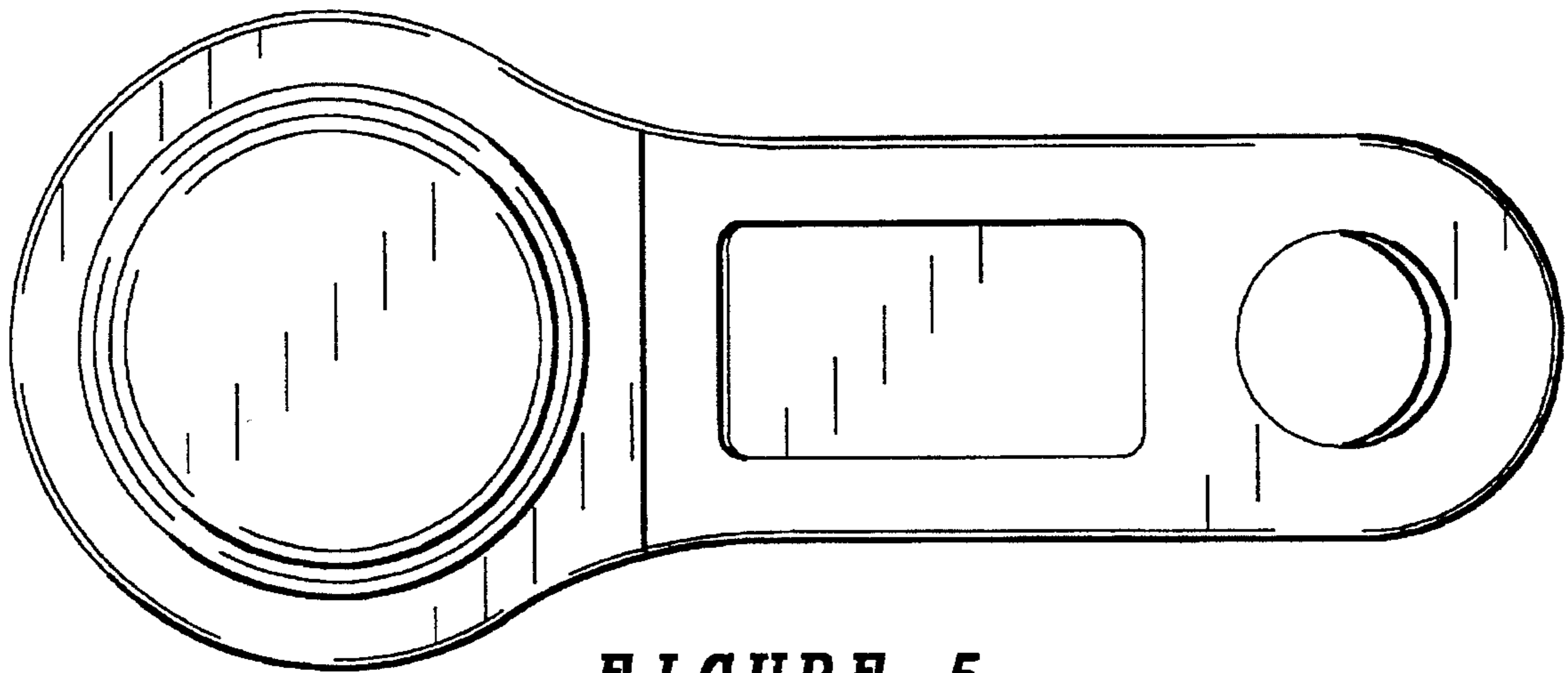


FIGURE 5

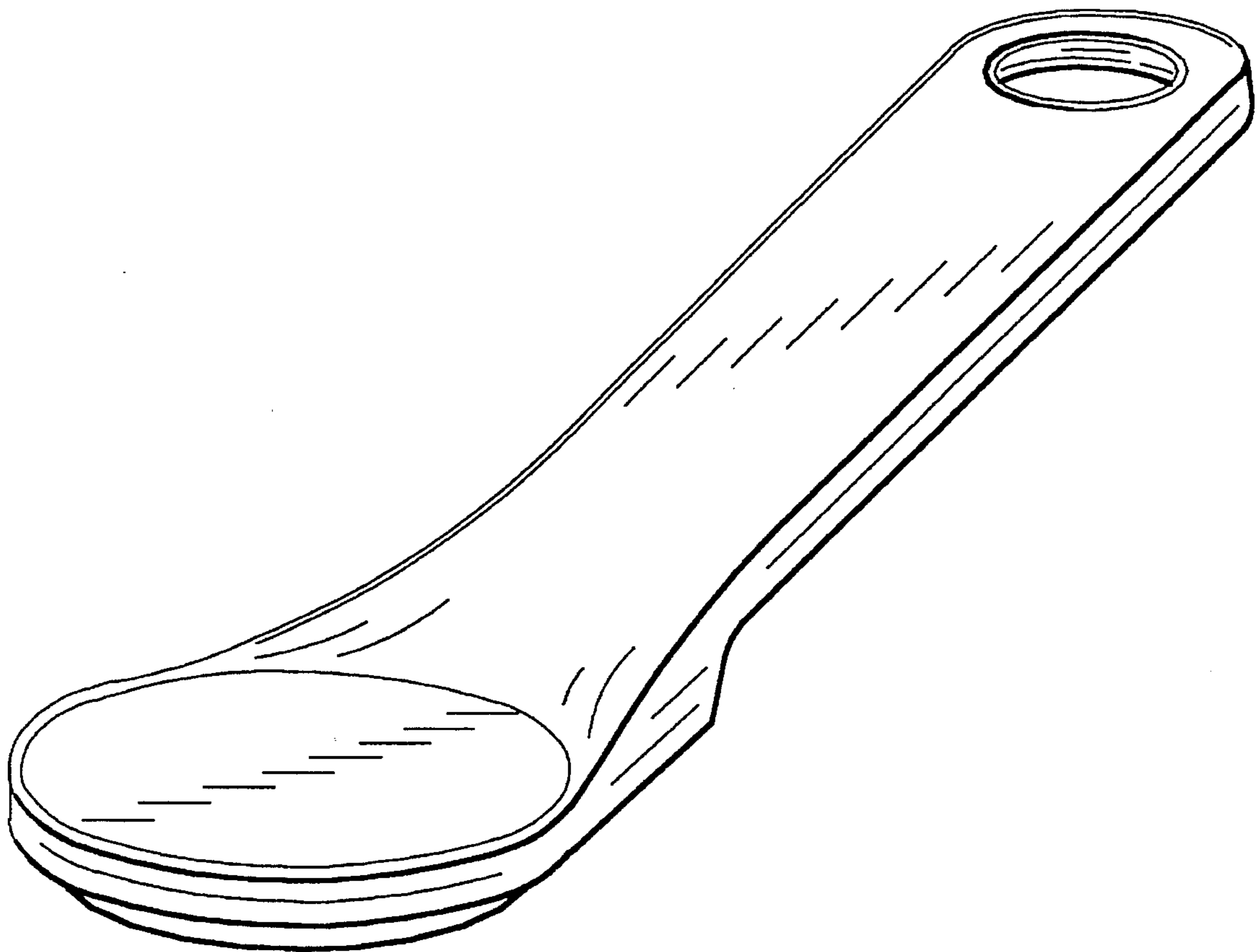


FIGURE 6