



US00D378569S

United States Patent [19] Jönsson

[11] Patent Number: **Des. 378,569**

[45] Date of Patent: ****Mar. 25, 1997**

[54] **CONSOLE**

[76] Inventor: **Sven-Gunnar Jönsson**, Fru Alstad, P1
37, S-231 96 Trelleborg, Sweden

[**] Term: **14 Years**

[21] Appl. No.: **47,904**

[22] Filed: **Dec. 14, 1995**

[30] Foreign Application Priority Data

Jun. 15, 1995 [SE] Sweden 951211

[52] U.S. Cl. **D8/381**

[58] Field of Search D8/380-381; D6/553,
D6/567, 574; 248/235, 237, 245, 247; 211/134-135,
153

[56] References Cited

U.S. PATENT DOCUMENTS

D. 202,354 9/1965 Hentzi D8/381

D. 234,455 3/1975 Blake D8/381 X
2,570,731 10/1951 Susnow 248/247
3,325,130 6/1967 Smith et al. .
3,707,273 12/1972 Bertz .
3,966,056 6/1976 Larson 211/134

FOREIGN PATENT DOCUMENTS

153628 1/1993 Denmark .

Primary Examiner—Holly M. Baynham

Attorney, Agent, or Firm—Burns, Doane, Swecker & Mathis, LLP

[57] CLAIM

The ornamental design for a console, as shown.

DESCRIPTION

FIG. 1 is a top perspective view of the console; and, FIG. 2 is a bottom perspective view of the console.

1 Claim, 1 Drawing Sheet

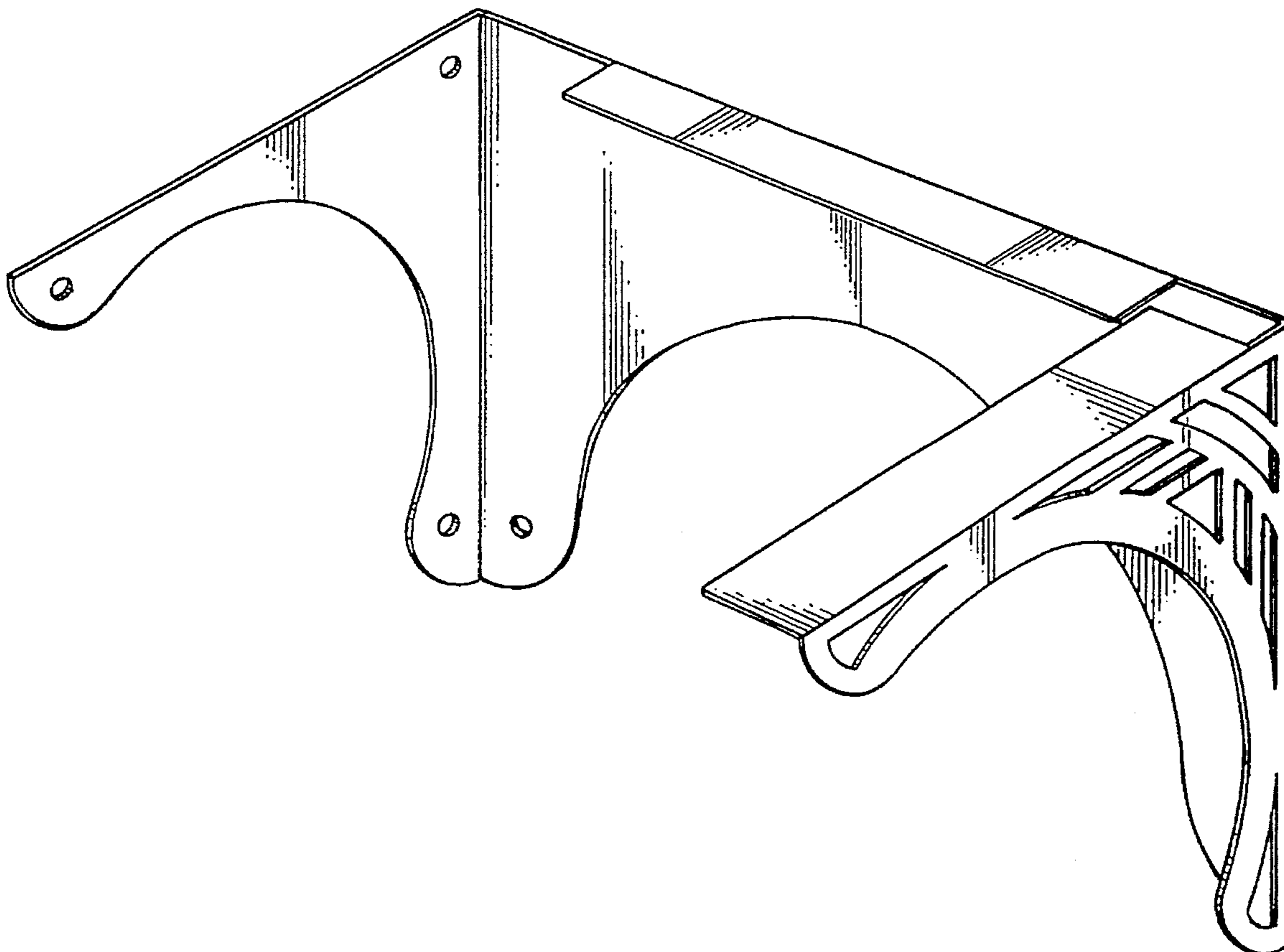


FIG.1

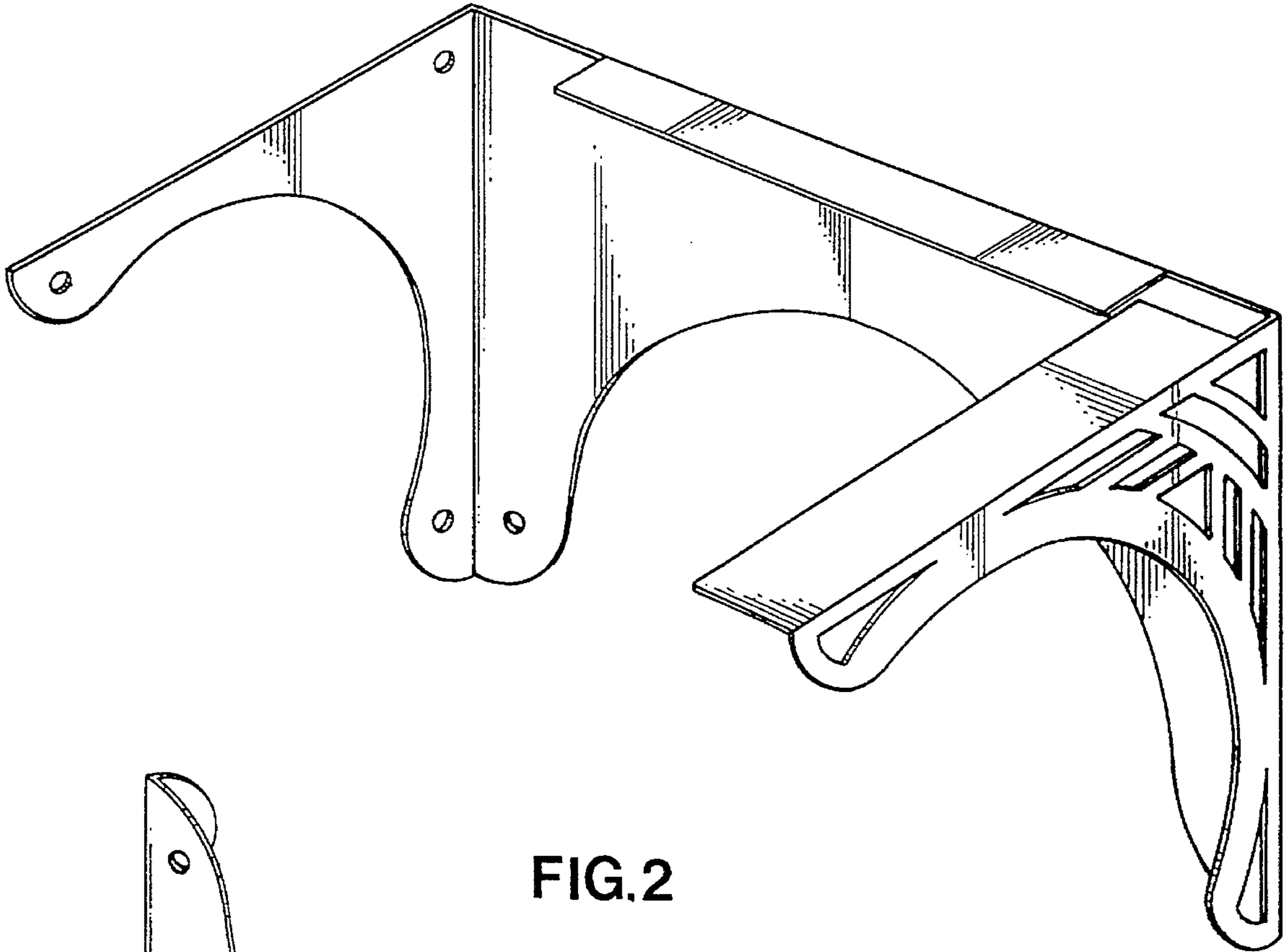


FIG.2

