



US00D378568S

# United States Patent [19]

Small et al.

[11] Patent Number: **Des. 378,568**

[45] Date of Patent: **\*\*Mar. 25, 1997**

[54] **PADLOCK SHACKLE PROTECTOR**

5,426,959 6/1995 Kies ..... 70/56

[76] Inventors: **Michael H. Small**, 4966 Red Bluff Rd.,  
Riverside, Calif. 92503; **Kevin E. Small**, 270 Main St., Cedarville, Calif.  
96104

*Primary Examiner*—Brian N. Vinson

[\*\*] Term: **14 Years**

### [57] CLAIM

The ornamental design for a padlock shackle protector, as shown and described.

[21] Appl. No.: **40,867**

### DESCRIPTION

[22] Filed: **Jun. 29, 1995**

[52] U.S. Cl. .... **D8/346**

[58] Field of Search ..... D8/343, 346; 70/54-56,  
70/158, 163-164, DIG. 43, DIG. 56

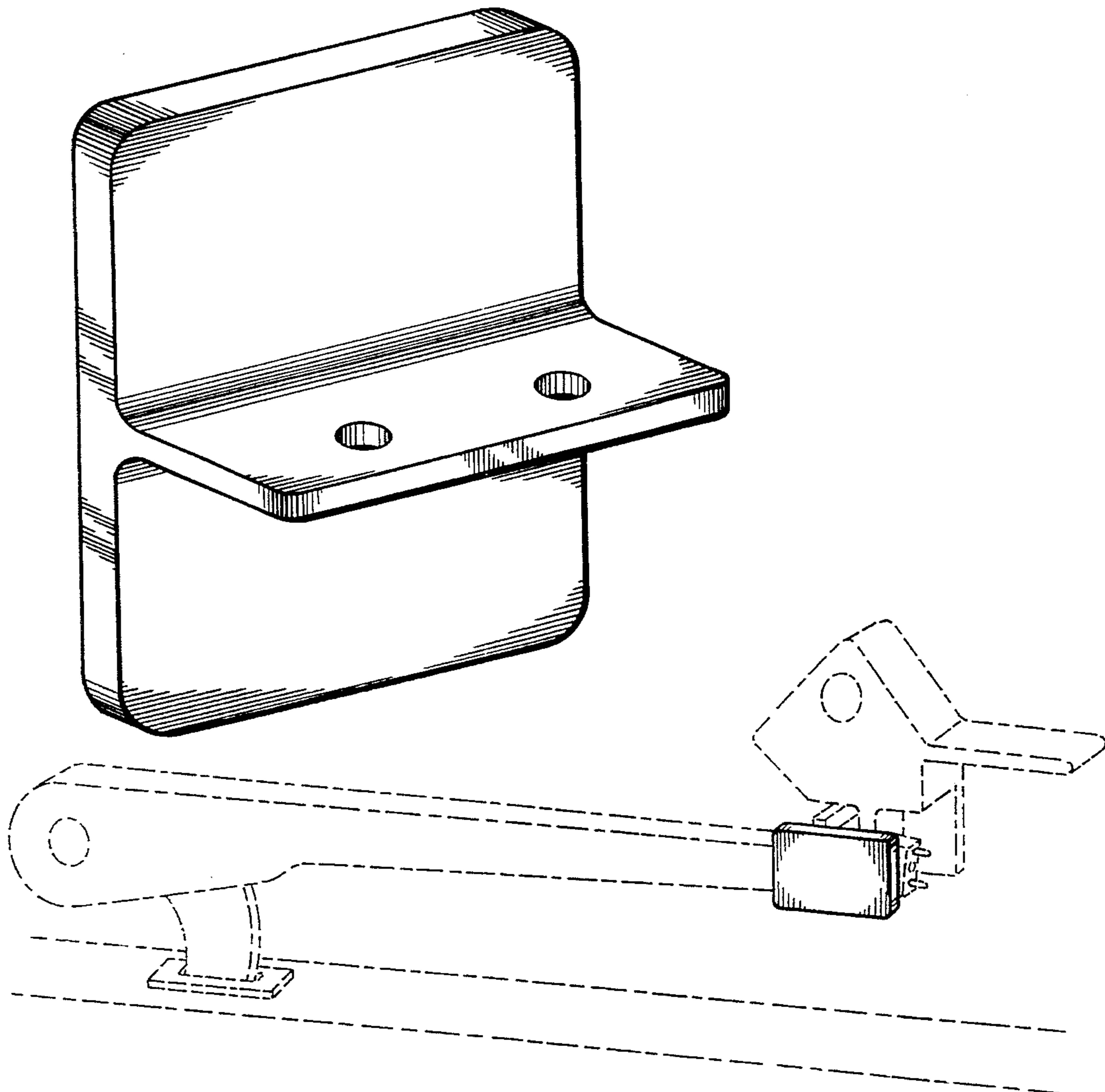
FIG. 1 is a front elevational view of a padlock shackle protector showing our new design;  
FIG. 2 is a rear elevational view thereof;  
FIG. 3 is a top plan view thereof, the bottom being identical to that shown;  
FIG. 4 is a left side elevational view thereof, the right side being a mirror image of that shown;  
FIG. 5 is a top, rear, and left side perspective view thereof;  
and,  
FIG. 6 is a reduced top, front, and right side perspective view thereof, with the broken-line disclosure of lock equipment being shown for illustrative purposes only and forming no part of the claimed design.

### [56] References Cited

#### U.S. PATENT DOCUMENTS

D. 315,666	3/1991	Pearson .....	D8/346
D. 317,557	6/1991	Poe .....	D8/346 X
2,930,219	3/1960	Fansmith .....	70/54 X
3,744,280	7/1973	Brown, Jr. et al. ....	70/54
3,759,557	9/1973	Athas .....	70/54 X
4,238,941	12/1980	Halopoff .....	70/56 X

**1 Claim, 5 Drawing Sheets**



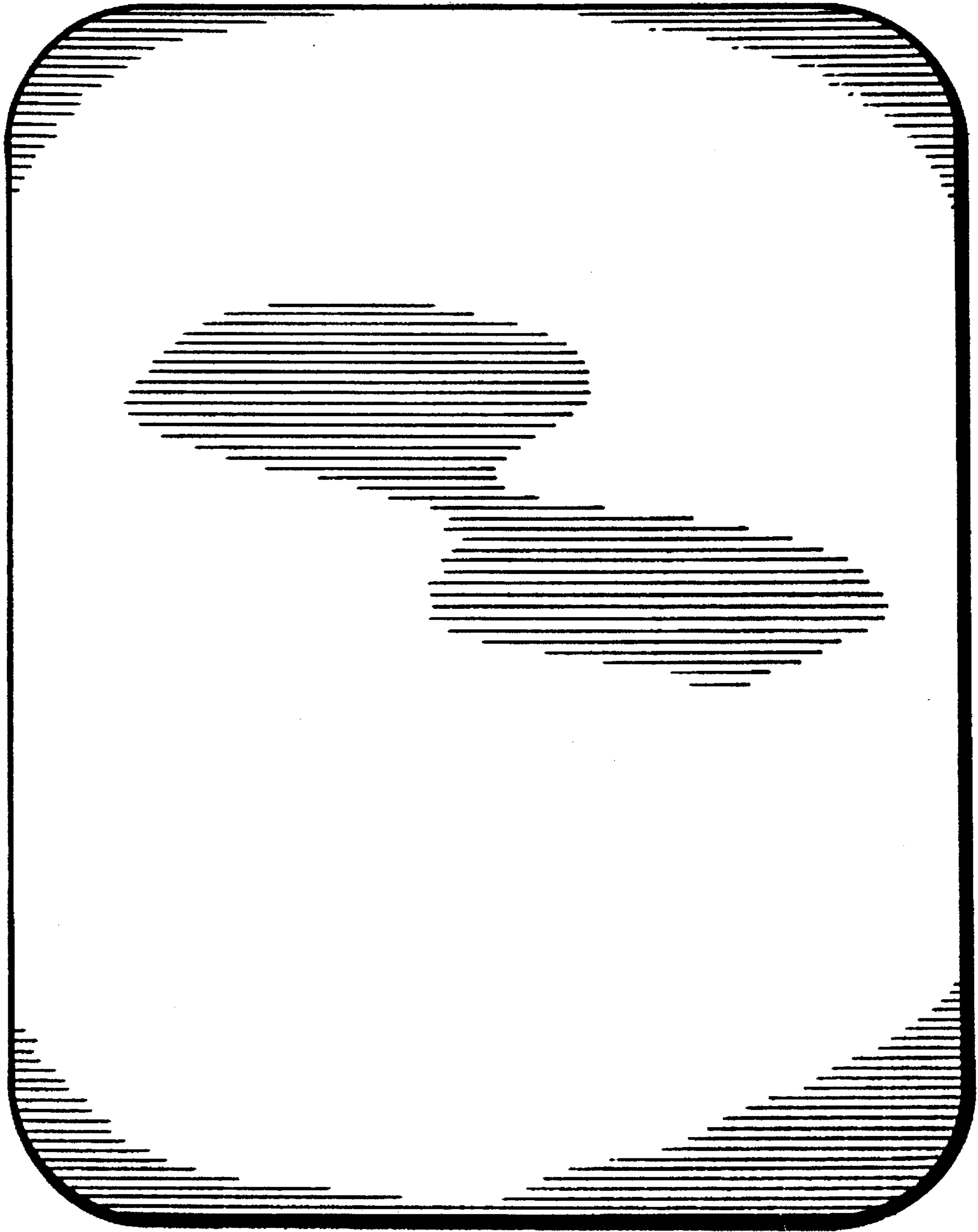


FIG. 1

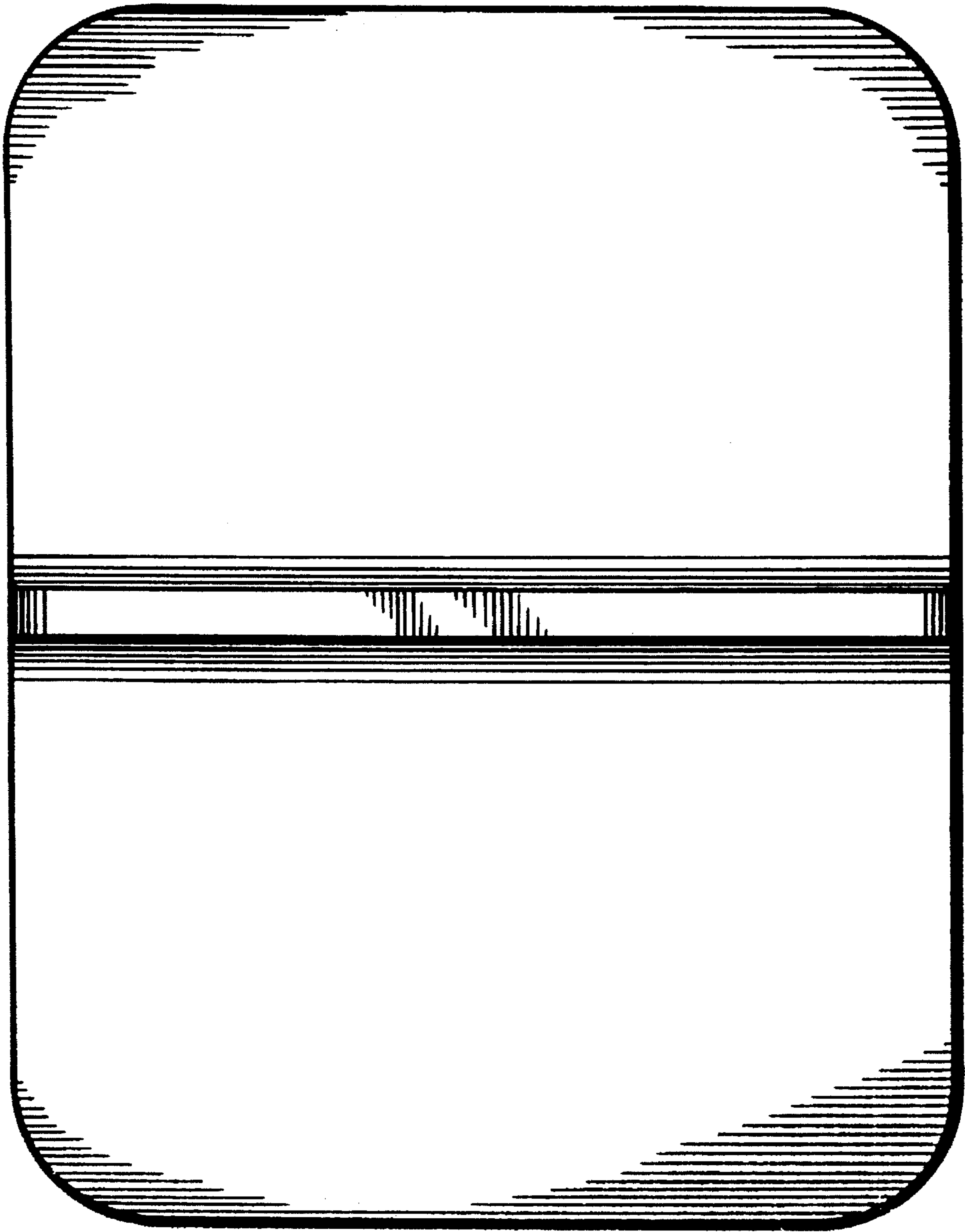


FIG. 2

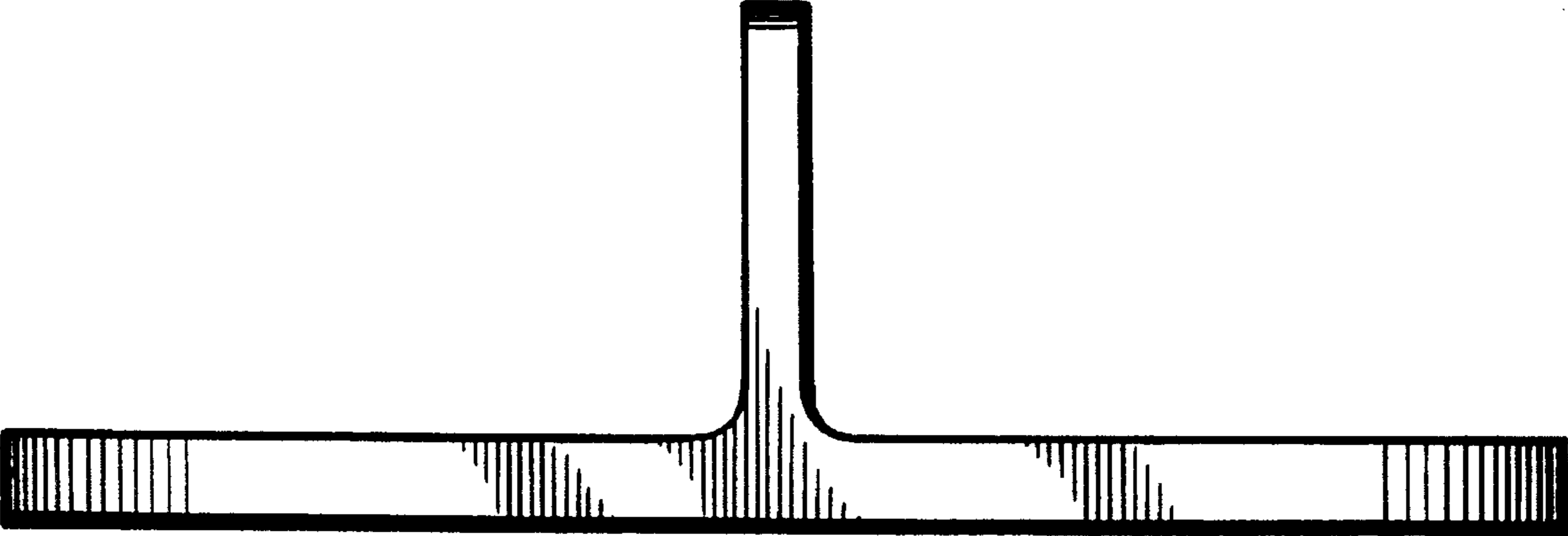


FIG. 3

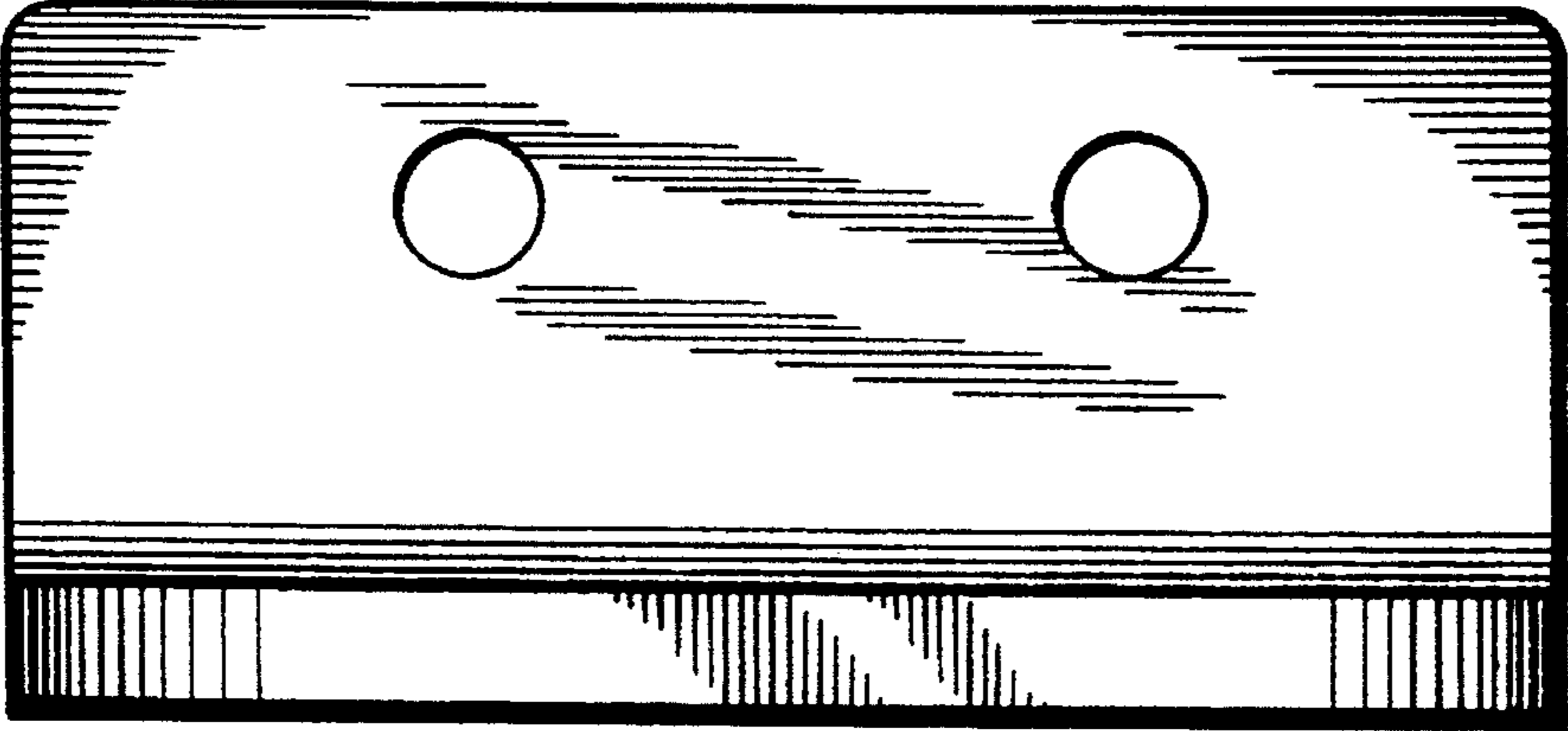


FIG. 4

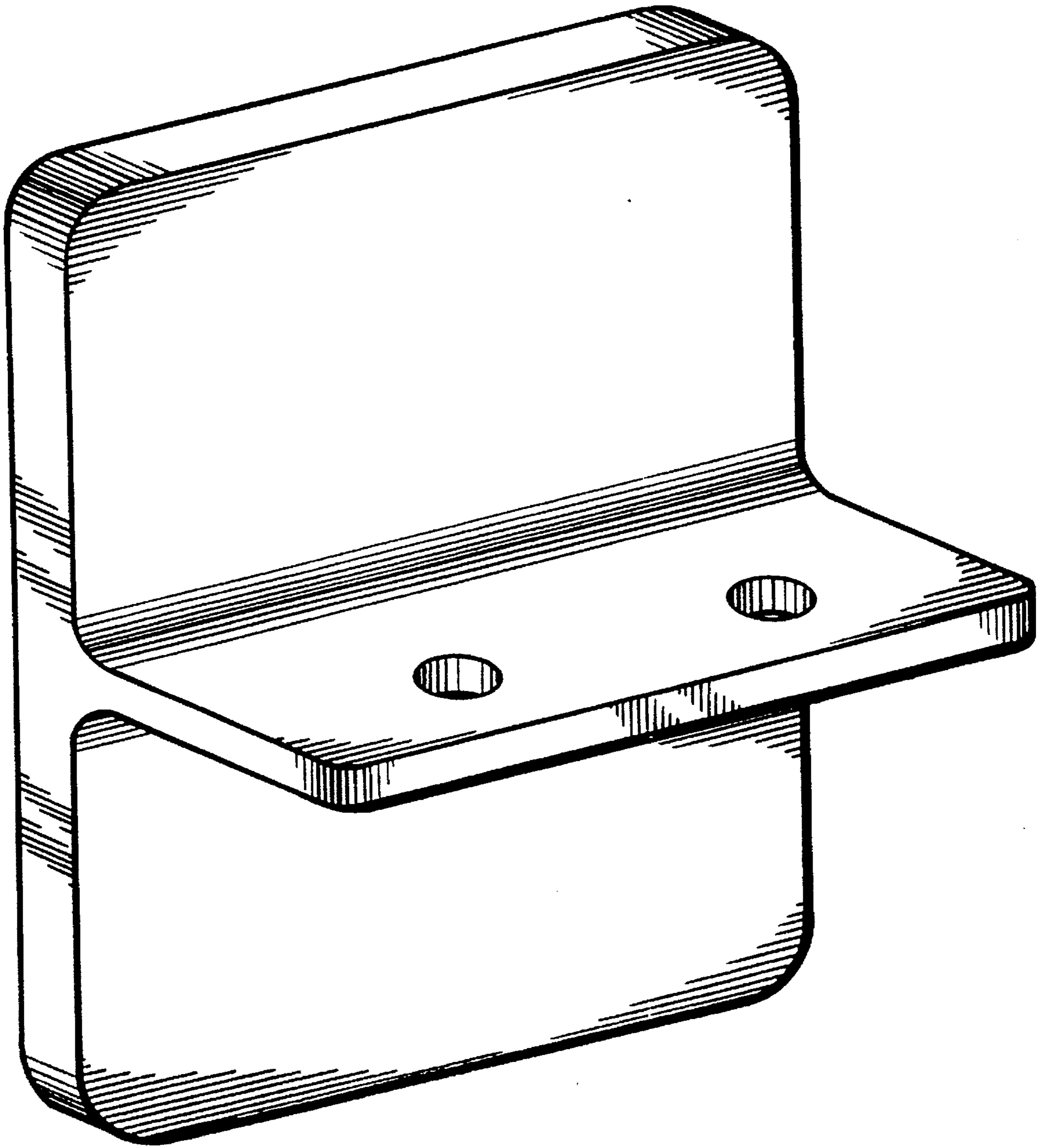


FIG. 5

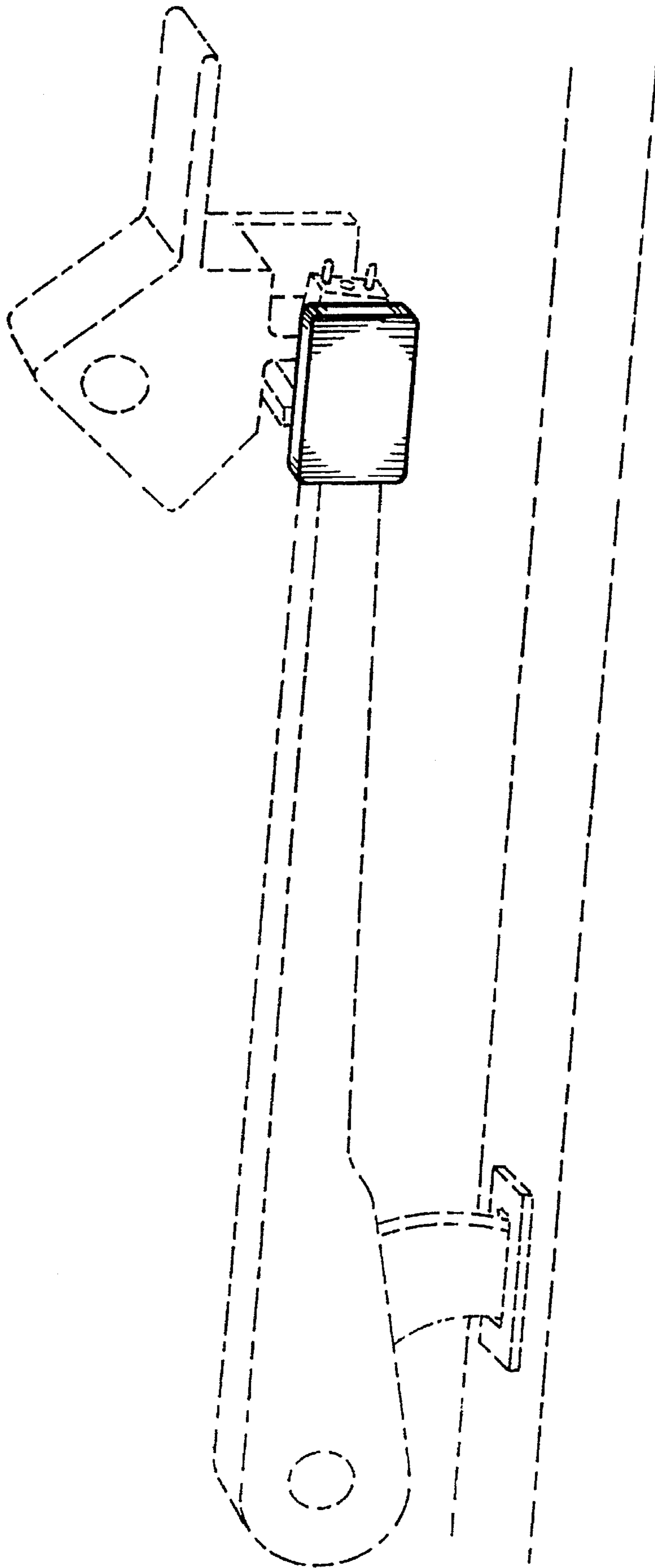


FIG. 6