



US00D378566S

United States Patent [19]

[11] Patent Number: **Des. 378,566**

Cousins

[45] Date of Patent: ****Mar. 25, 1997**

[54] **COLANDER WITH LID**

D. 360,106 7/1995 Sintchak .
3,170,875 2/1965 Swett .

[75] Inventor: **Morison S. Cousins**, Winter Park, Fla.

Primary Examiner—Terry A. Wallace
Attorney, Agent, or Firm—John A. Doninger

[73] Assignee: **Dart Industries Inc.**, Deerfield, Ill.

[**] Term: **14 Years**

[57] CLAIM

The ornamental design for a colander with lid, as shown.

[21] Appl. No.: **44,015**

DESCRIPTION

[22] Filed: **Sep. 15, 1995**

[52] U.S. Cl. **D7/667**

[58] Field of Search D7/400, 667, 668;
210/464, 465, 469, 472, 473

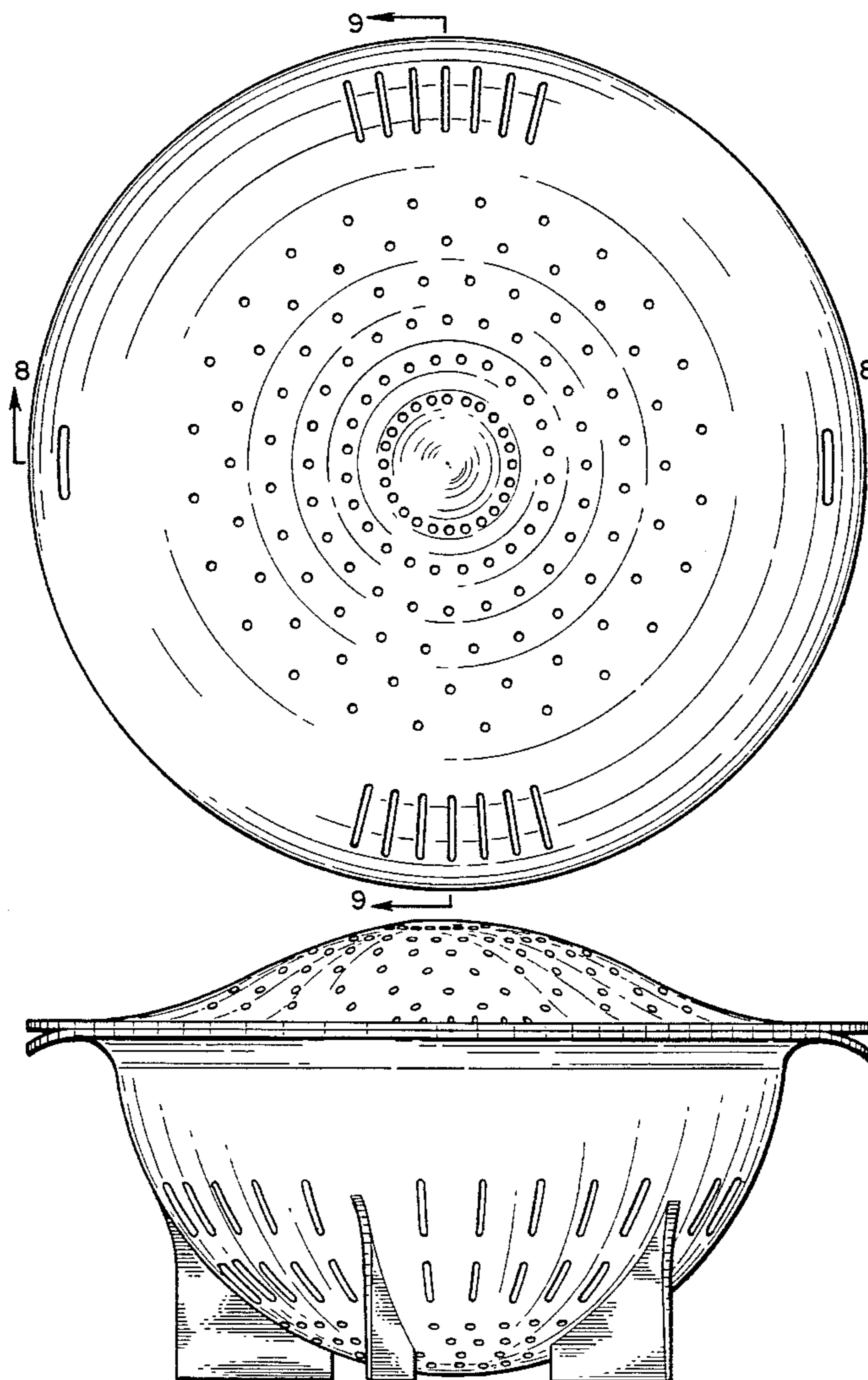
FIG. 1 is a top, side and front perspective view of a colander with lid showing my new design;
FIG. 2 is a top plan view thereof;
FIG. 3 is a front view thereof;
FIG. 4 is a bottom plan view thereof;
FIG. 5 is a rear view thereof;
FIG. 6 is a right side elevation view thereof;
FIG. 7 is a left side elevation view thereof;
FIG. 8 is a cross-section view thereof on line 8—8 in FIG. 2; and,
FIG. 9 is a cross-section view thereof on line 9—9 in FIG. 2.

[56] References Cited

U.S. PATENT DOCUMENTS

- D. 112,179 11/1938 Reineck et al. .
- D. 291,041 7/1987 Grange .
- D. 291,522 8/1987 Daenen et al. .
- D. 296,969 8/1988 Carlson .
- D. 327,609 7/1992 Carlson .
- D. 353,080 12/1994 Cantereels et al. .
- D. 358,533 5/1995 Cousins et al. .
- D. 359,202 6/1995 Cousins et al. .

1 Claim, 5 Drawing Sheets



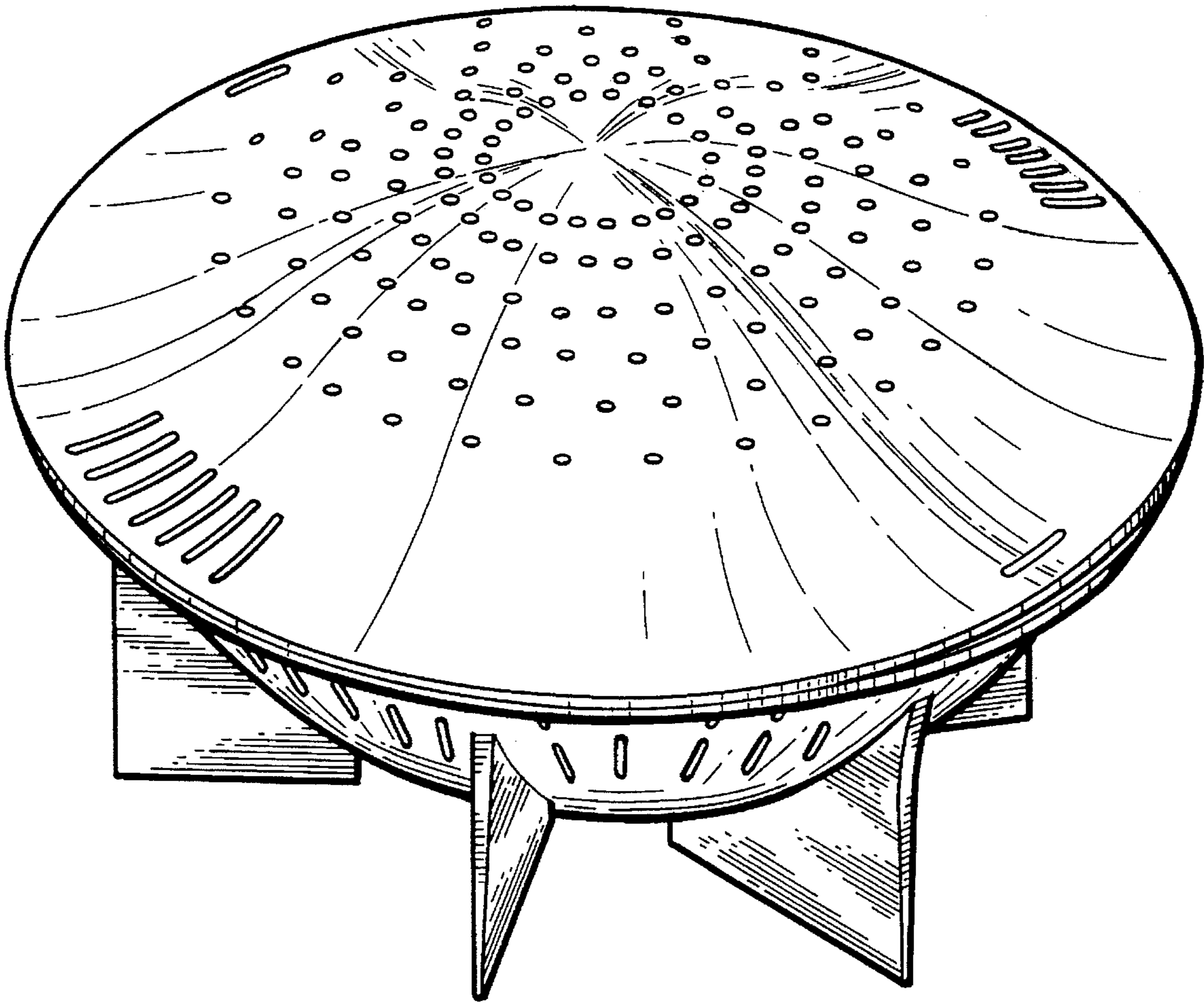


FIG. 1

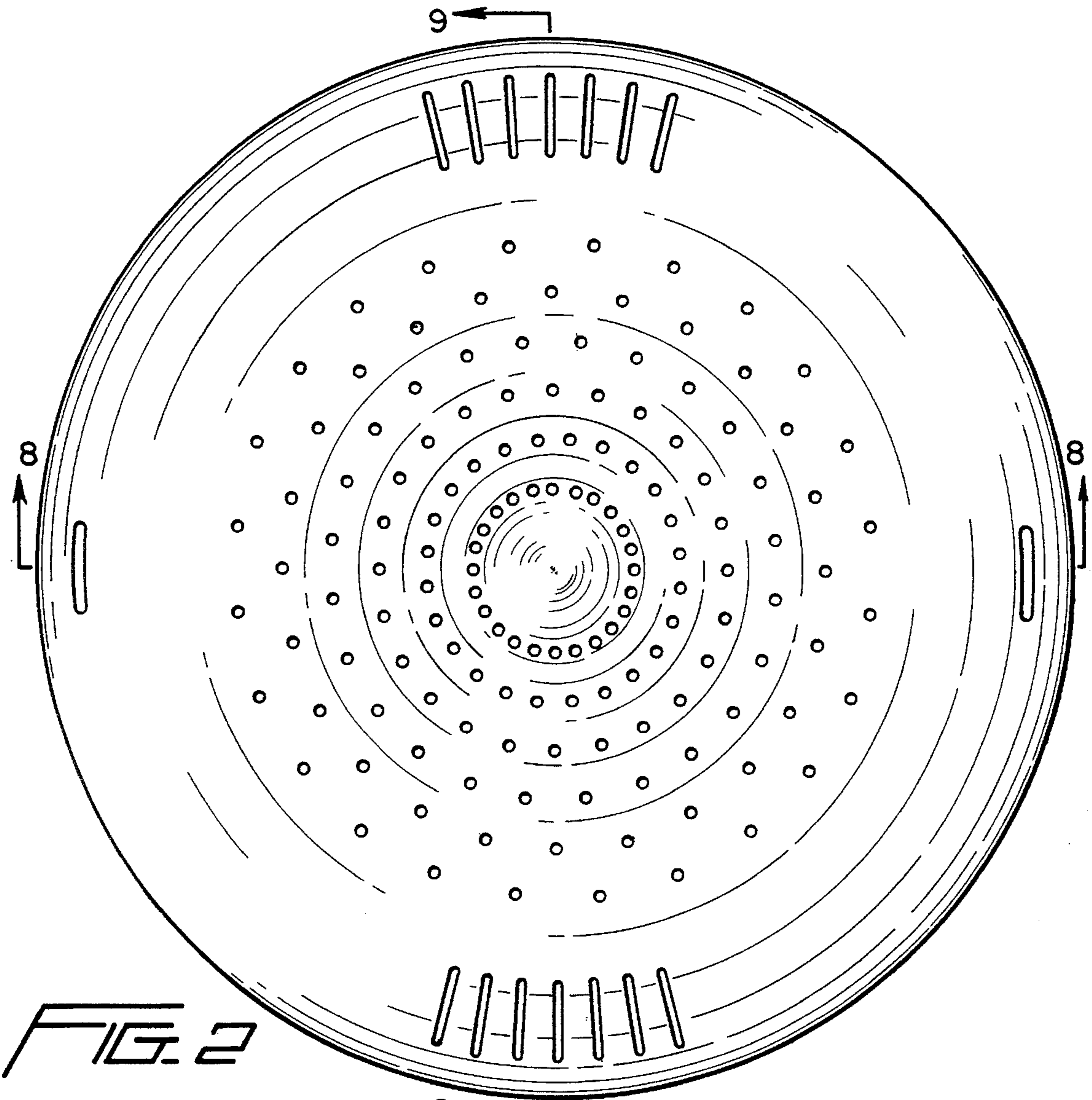


FIG. 2

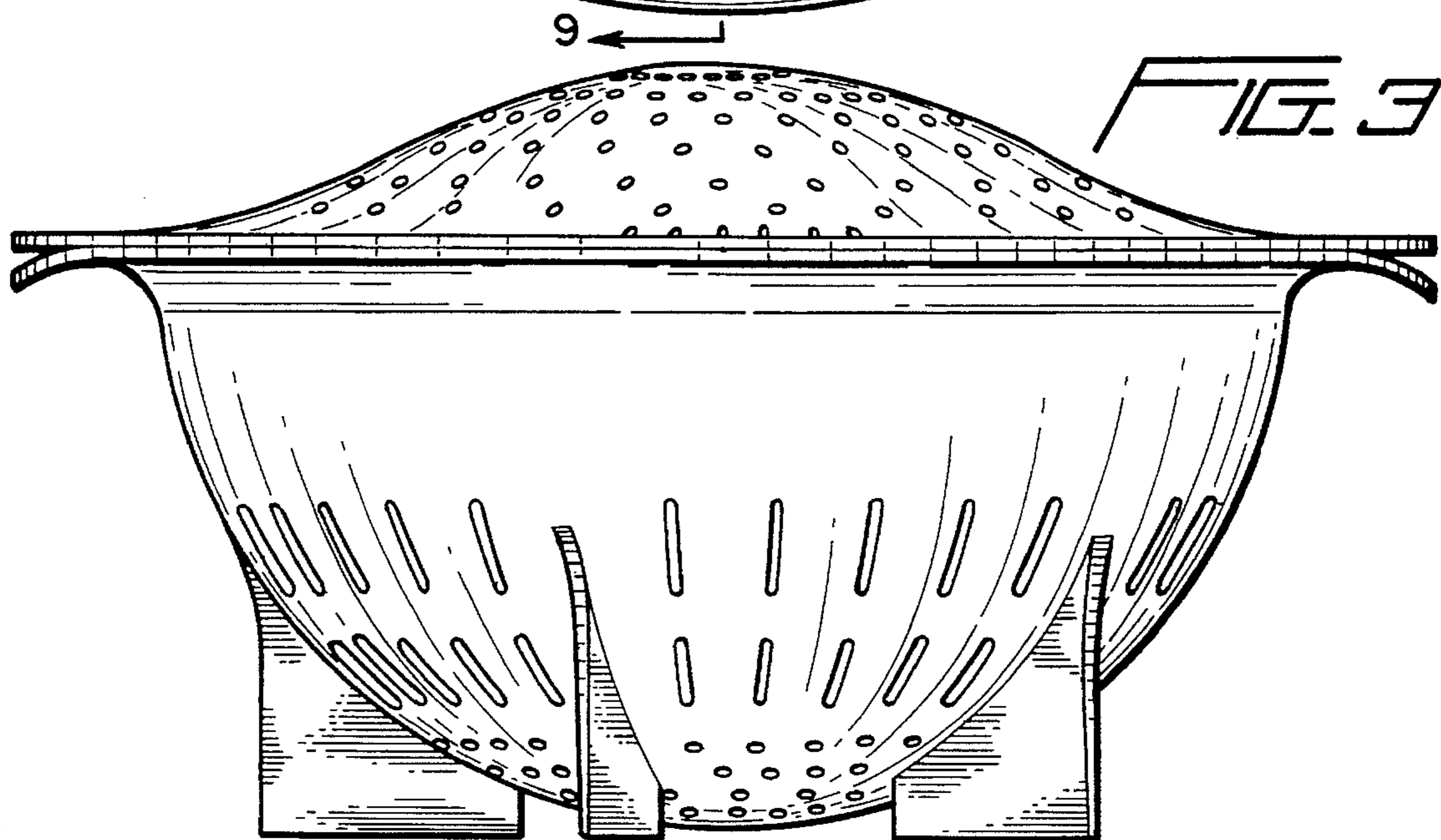


FIG. 3

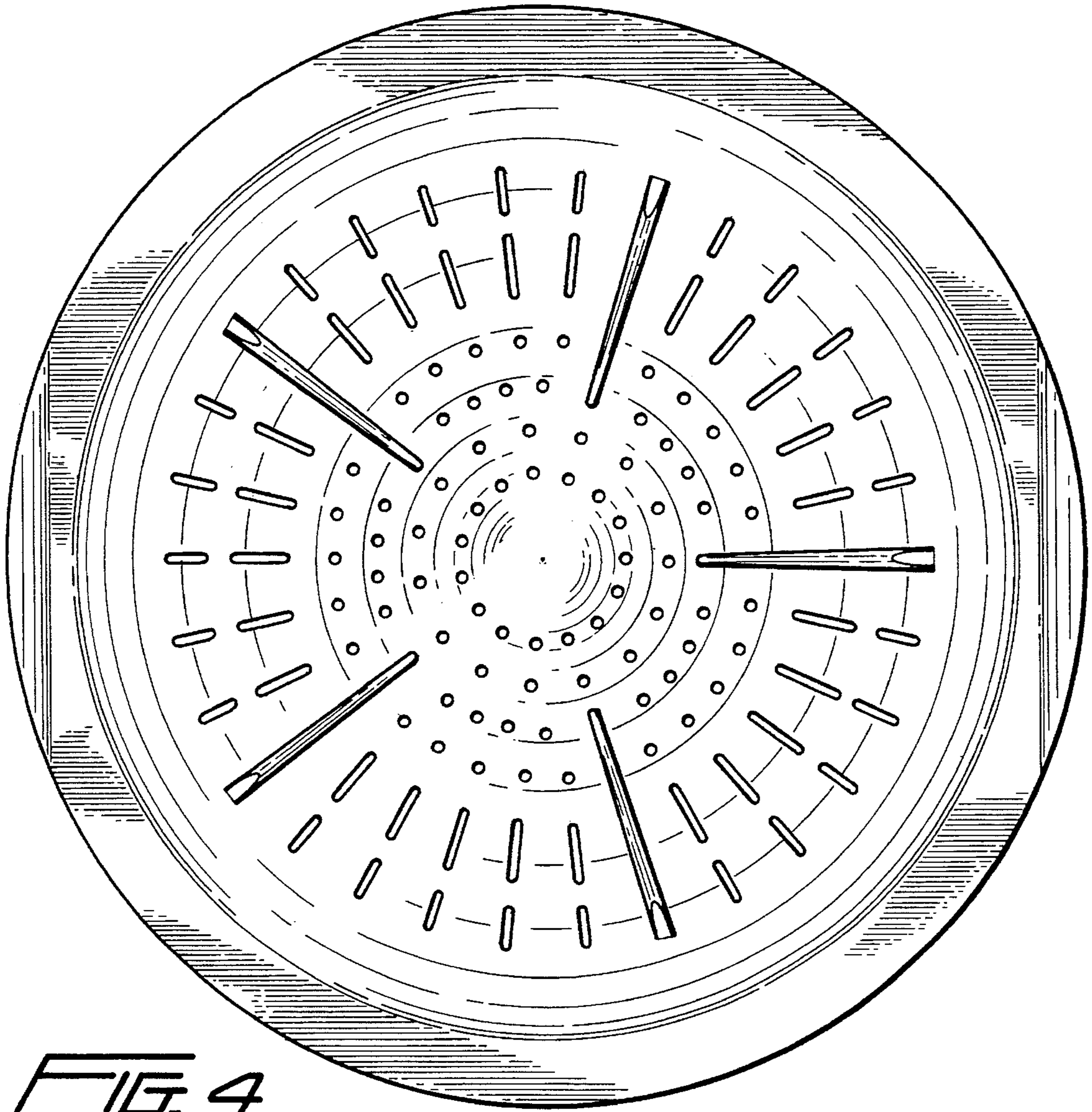


FIG. 4

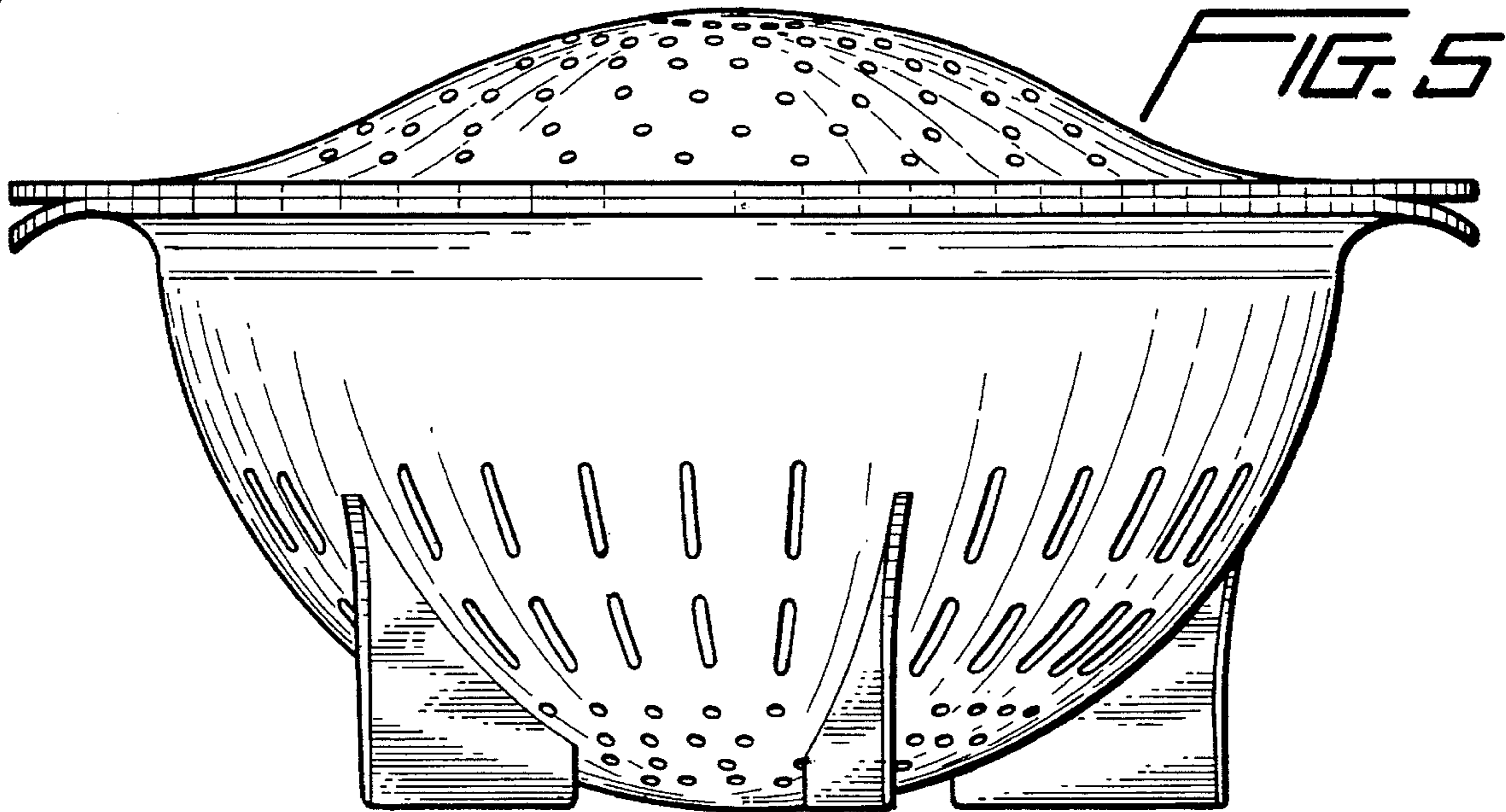


FIG. 5

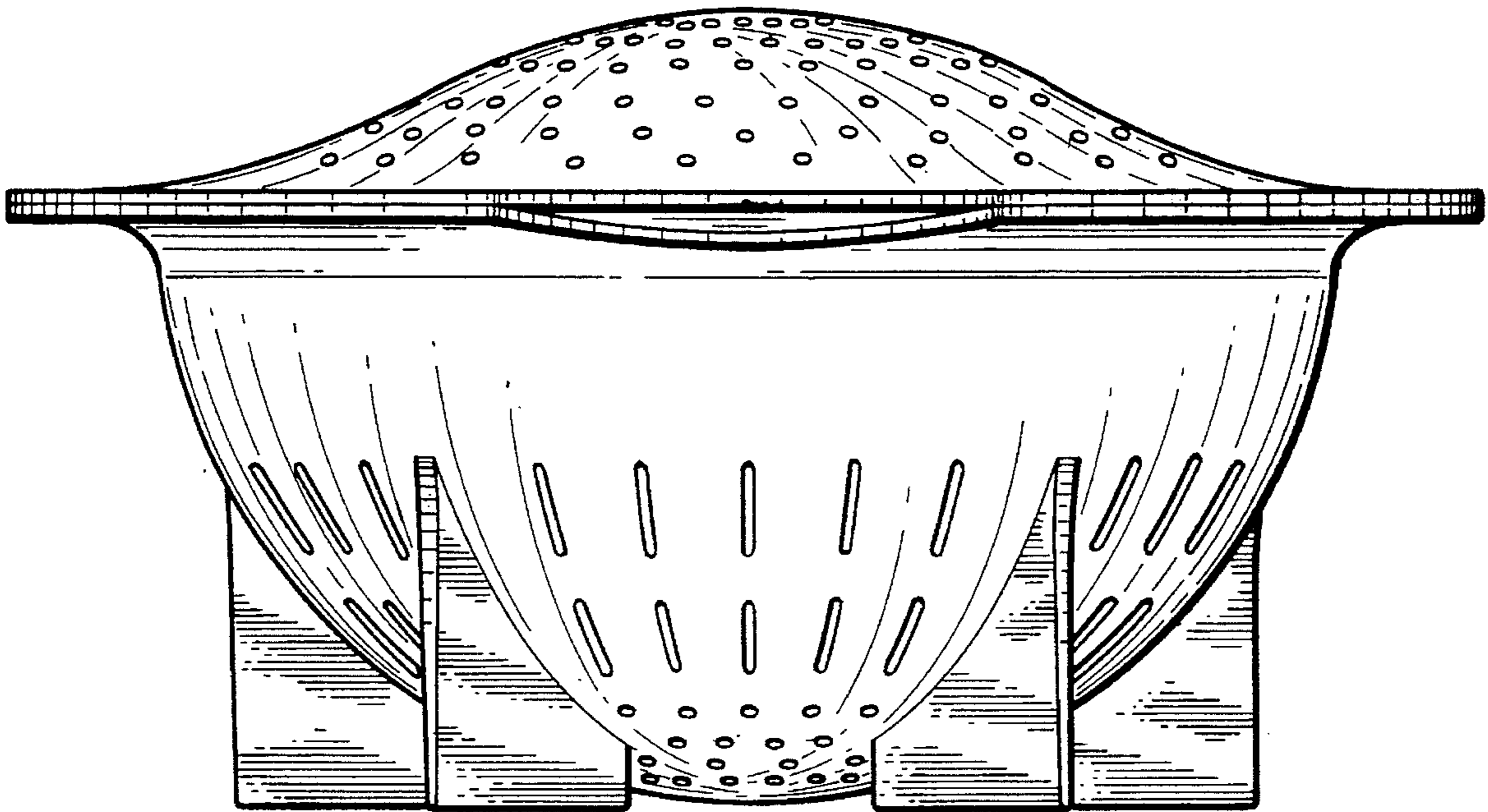


FIG. 6

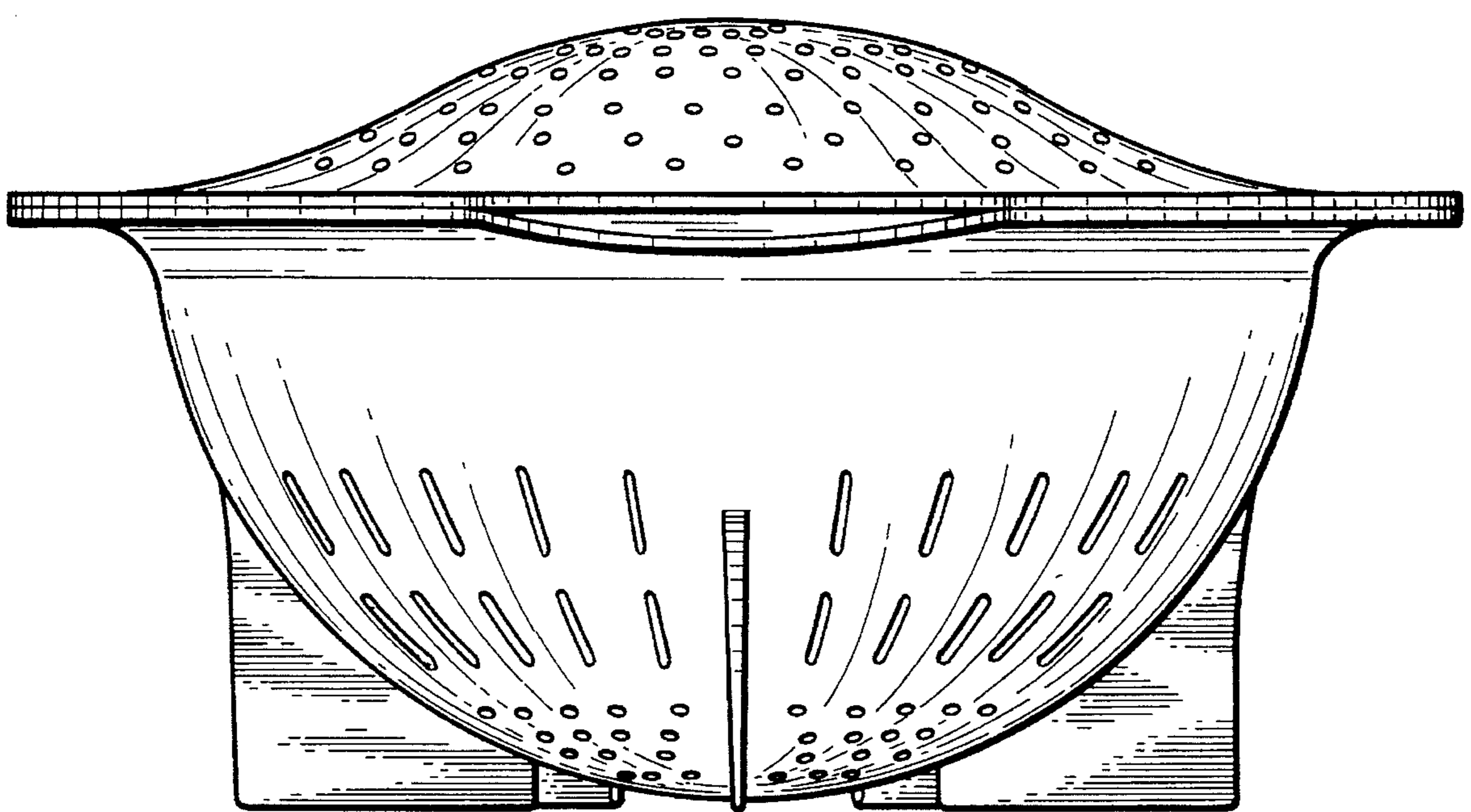


FIG. 7

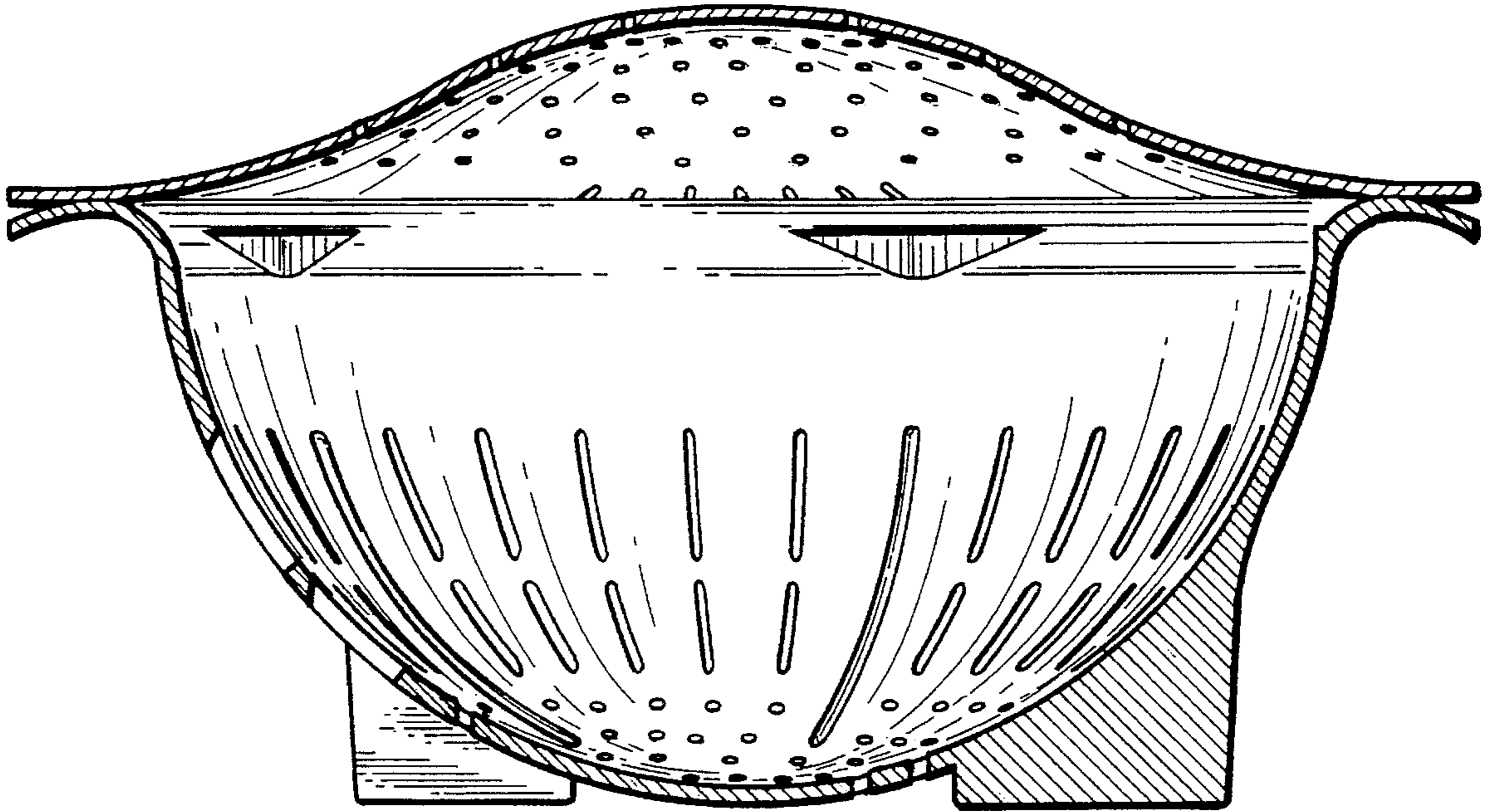


FIG. 8

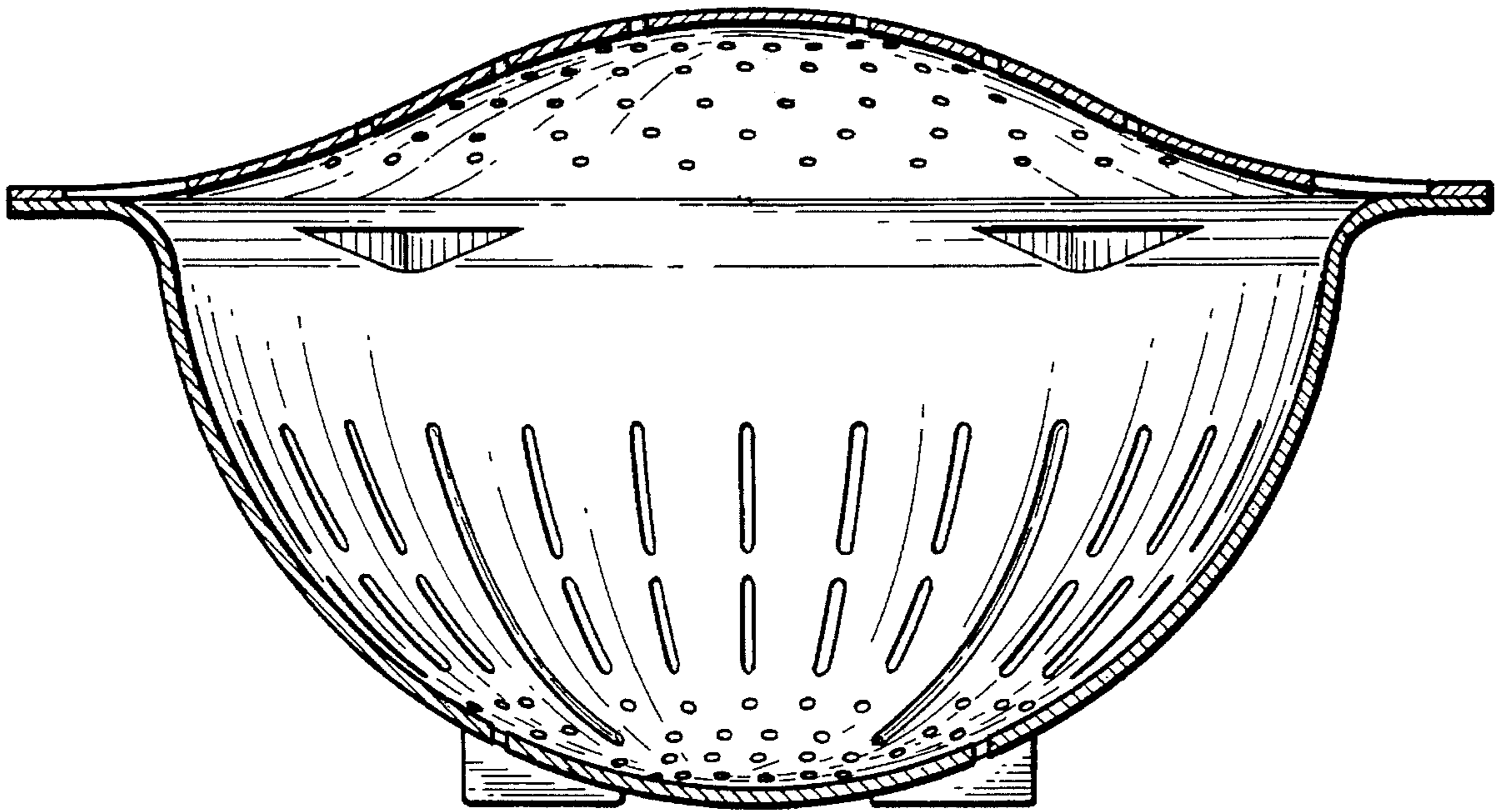


FIG. 9