



US00D378564S

United States Patent [19]
Hall

[11] **Patent Number: Des. 378,564**

[45] **Date of Patent: **Mar. 25, 1997**

[54] **UTENSIL SUPPORT**

[76] Inventor: **Anson L. Hall**, P.O. Box 87, Nine
Garfield St., Exeter, N.H. 03833

[**] Term: **14 Years**

[21] Appl. No.: **54,926**

[22] Filed: **May 24, 1996**

[52] **U.S. Cl.** **D7/637**

[58] **Field of Search** D7/637-641; 211/13,
211/60.1, 70.6, 70.1, 70.8, 70.7, 72, 73;
220/890; 248/37.3, 174, 176.1

[56] **References Cited**

U.S. PATENT DOCUMENTS

D. 244,340	5/1977	Ashton	D7/641
4,834,328	5/1989	Hall	.	
4,858,863	8/1989	Lin	248/174
4,893,768	1/1990	Hall	.	

Primary Examiner—Terry A. Wallace
Attorney, Agent, or Firm—Salter & Michaelson

[57] **CLAIM**

The ornamental design for a utensil support, as shown and described.

DESCRIPTION

FIG. 1 is a perspective view of a utensil support showing my new design;

FIG. 2 is a front elevational view thereof;

FIG. 3 is a rear elevational view thereof;

FIG. 4 is a top plan view thereof;

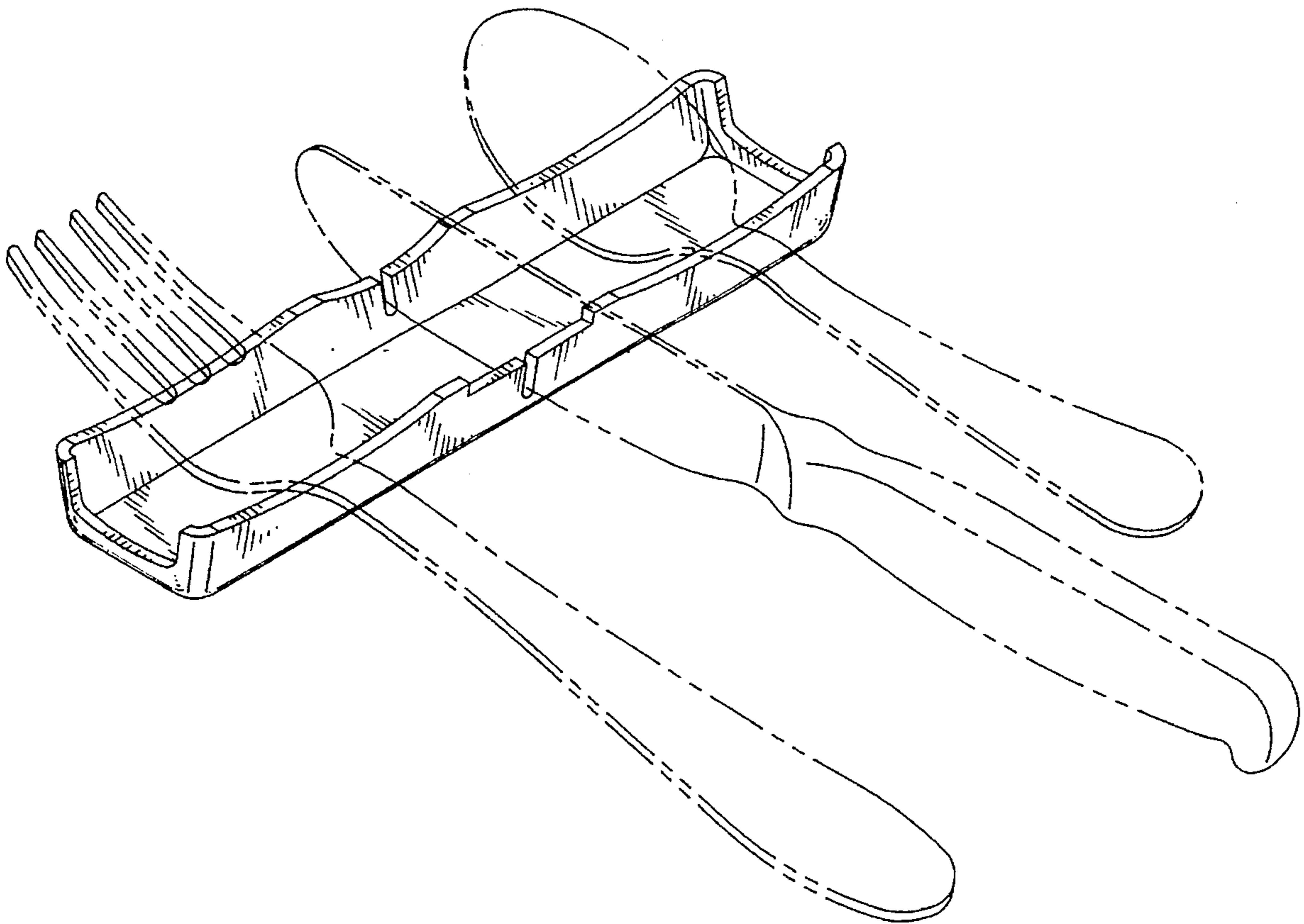
FIG. 5 is a bottom plan view thereof;

FIG. 6 is an end view thereof; and,

FIG. 7 is a view of the opposite end thereof.

The portions shown in broken lines in FIG. 1 are for informational purposes only and form no part of the instant design.

1 Claim, 2 Drawing Sheets



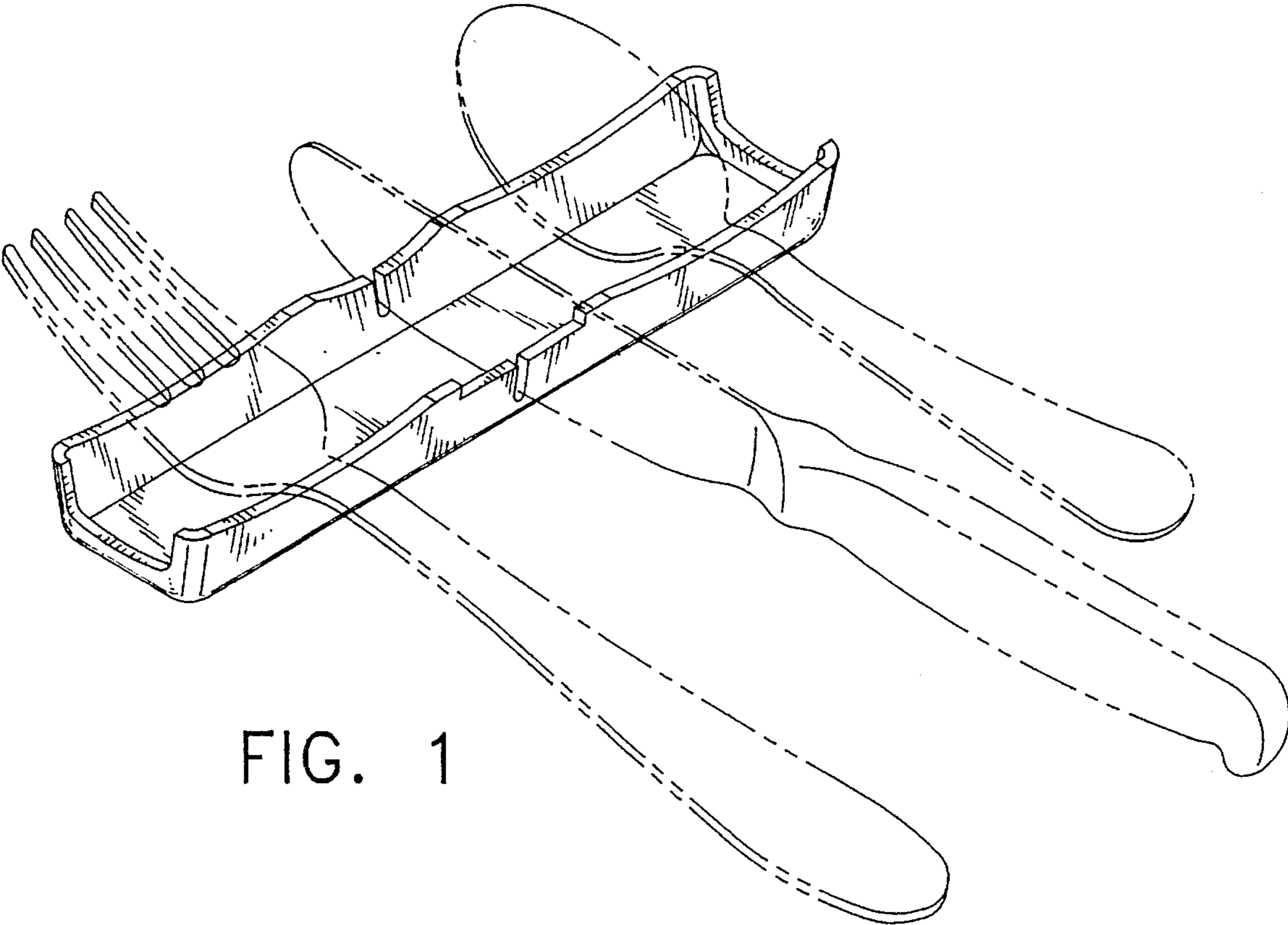


FIG. 1



FIG. 2

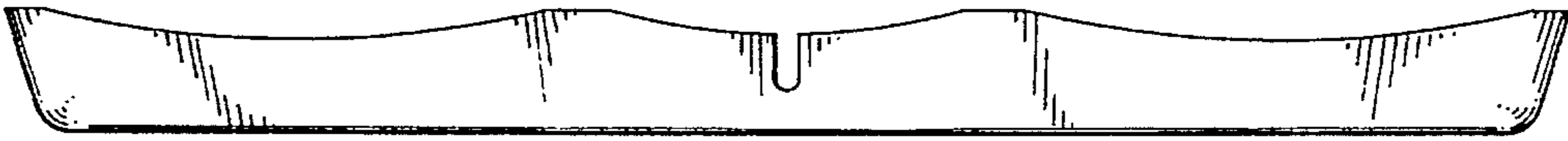


FIG. 3

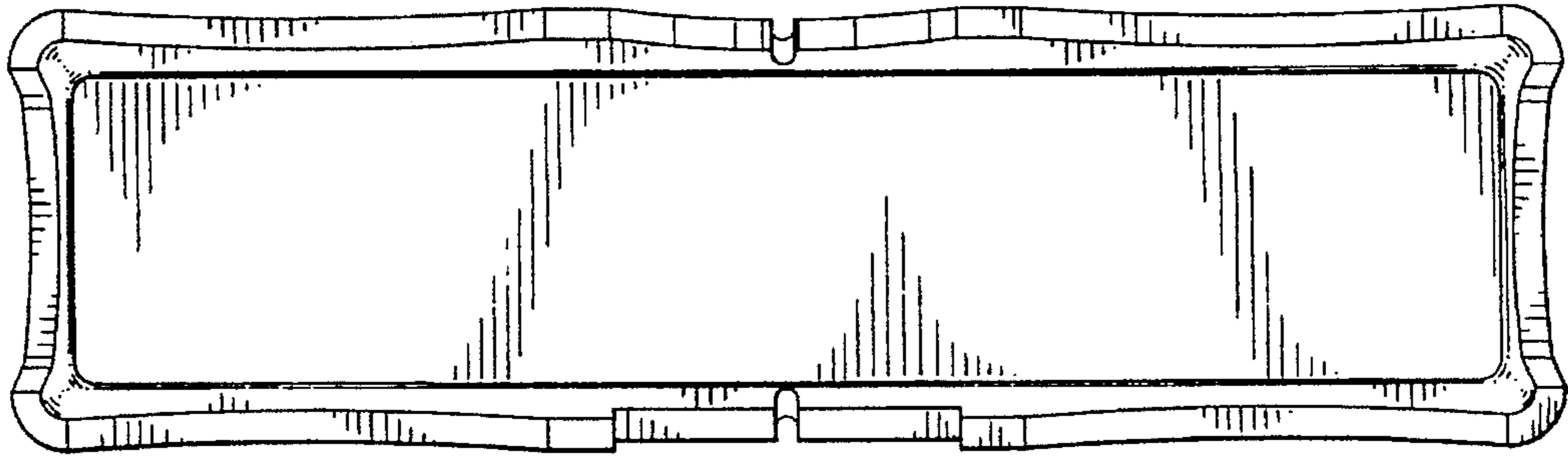


FIG. 4

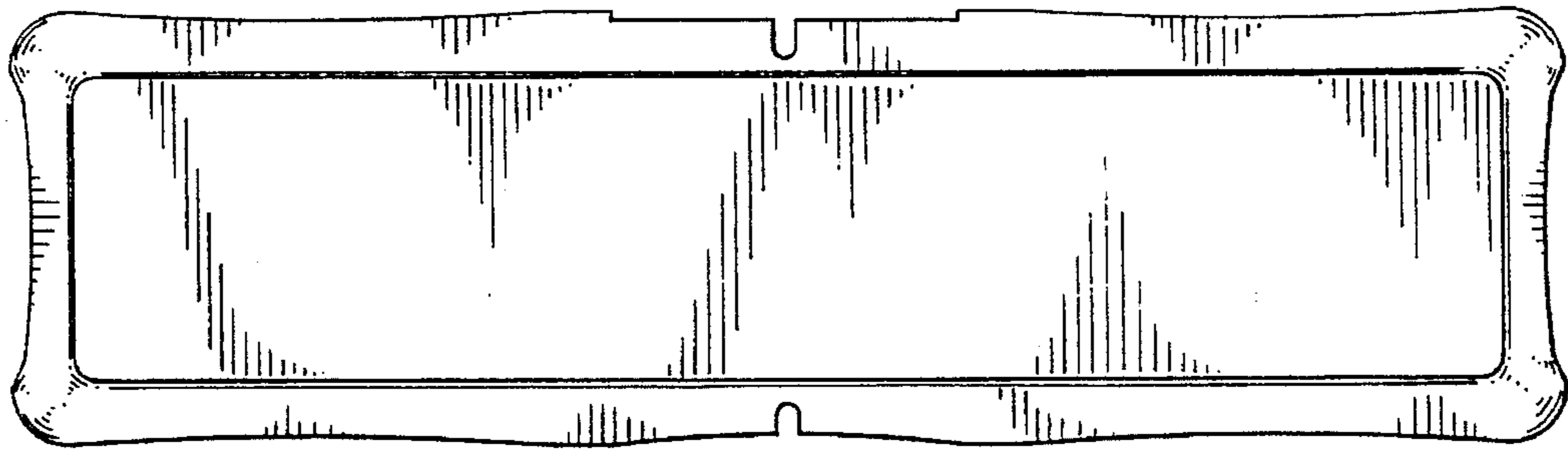


FIG. 5



FIG. 6



FIG. 7