



US00D378560S

United States Patent [19]

[11] Patent Number: **Des. 378,560**

Myers et al.

[45] Date of Patent: ****Mar. 25, 1997**

[54] **STAND MIXER**

[75] Inventors: **Terry L. Myers**, Richmond, Va.;
Phillip L. Brookshire, Cincinnati, Ohio

[73] Assignee: **Hamilton Beach/Proctor-Silex, Inc.**,
Glen Allen, Va.

[**] Term: **14 Years**

[21] Appl. No.: **29,288**

[22] Filed: **Oct. 3, 1994**

[52] U.S. Cl. **D7/379**; D7/376

[58] Field of Search D7/376-379, 384,
D7/386, 412-415; 366/129, 130, 142, 197,
199, 204, 205, 279, 314

[56] **References Cited**

U.S. PATENT DOCUMENTS

D. 120,342	5/1940	Geiger et al.	D7/379
D. 125,031	2/1941	Schneider	D7/379
D. 158,835	6/1950	Bisley	D7/379
D. 158,881	6/1950	Morgan	D7/379
D. 158,885	6/1950	Morgan	D7/379
D. 168,037	10/1952	Karstadt	D7/379
D. 176,257	12/1955	Hill	D7/386
D. 177,440	4/1956	Talge et al.	D7/379
D. 180,379	5/1957	Spear	D7/386
D. 189,936	3/1961	Grange	D7/379
D. 232,694	9/1974	Igawami et al.	D7/376
D. 254,949	5/1980	Besford	D7/379
D. 265,166	6/1982	Ernest et al.	D7/386
D. 279,858	7/1985	Janssens	D7/412
D. 286,258	10/1986	Grange	D7/379
D. 291,271	8/1987	Wilson	D7/379
D. 309,081	7/1990	Thomas	D7/379
D. 314,883	2/1991	Naft	D7/379
D. 319,555	9/1991	Thomas	D7/379
2,208,955	7/1940	Wolff	416/204 R
2,438,465	3/1948	Strauss et al.	74/16
2,584,887	2/1952	Laurence	366/197
3,066,350	12/1962	Quiring	D7/379 X
4,822,172	4/1989	Stottmann	366/142

OTHER PUBLICATIONS

“BEST General Merchandise Catalog 1990/91”, front and rear cover and p. 207, published by Best Products Co., Inc. Four page brochure published by Hamilton Beach/Proctor-Silex, Inc on Jan. 16, 1994.

See accompanying Information Disclosure Statement for discussion regarding private showing of a product embodying the design more than one year before Oct. 3, 1994.

Primary Examiner—James M. Gandy
Assistant Examiner—Caron D. Veynar
Attorney, Agent, or Firm—Roger S. Dybvig

[57] **CLAIM**

The ornamental design for a stand mixer, as shown and described.

DESCRIPTION

FIG. 1 is a perspective view as seen from the top, front and left side of a stand mixer showing our new design; FIG. 2 is a top plan view thereof; the bottom plan view is flat and unornamented;

FIG. 3 is a left side elevational view thereof;

FIG. 4 is a right side elevational view thereof;

FIG. 5 is a front elevational view thereof;

FIG. 6 is a rear elevational view thereof;

FIG. 7 is a bottom plan view partially in section taken along line 7—7 in FIG. 4, it being understood that the interior structure of the stand mixer has been omitted and forms no part of the claimed design;

FIG. 8 is a perspective view as seen from the top, front and left side of a second embodiment of a stand mixer showing our new design;

FIG. 9 is a top plan view thereof; the bottom plan view is flat and unornamented;

FIG. 10 is a left side elevational view thereof;

FIG. 11 is a right side elevational view thereof;

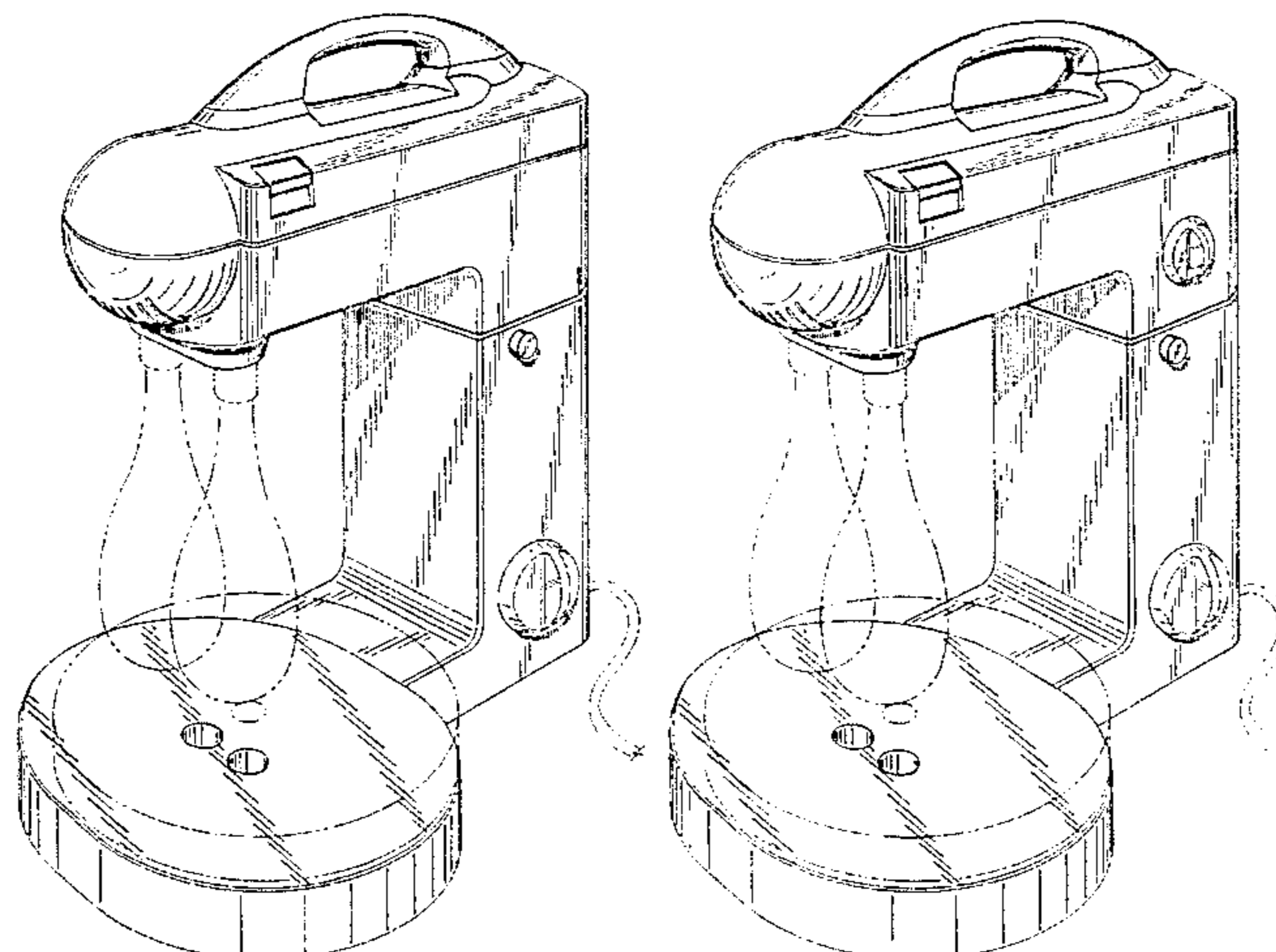
FIG. 12 is a bottom plan view partially in section taken along line 12—12 in FIG. 11, it being understood that the interior structure of the stand mixer has been omitted and forms no part of the claimed design;

FIG. 13 is a front elevational view thereof; and,

FIG. 14 is a rear elevational view thereof.

The broken lines showing in FIGS. 1 and 8 of a bowl platform, power cord, and beaters are used for illustrative purposes only and form no part of the claimed design.

1 Claim, 9 Drawing Sheets



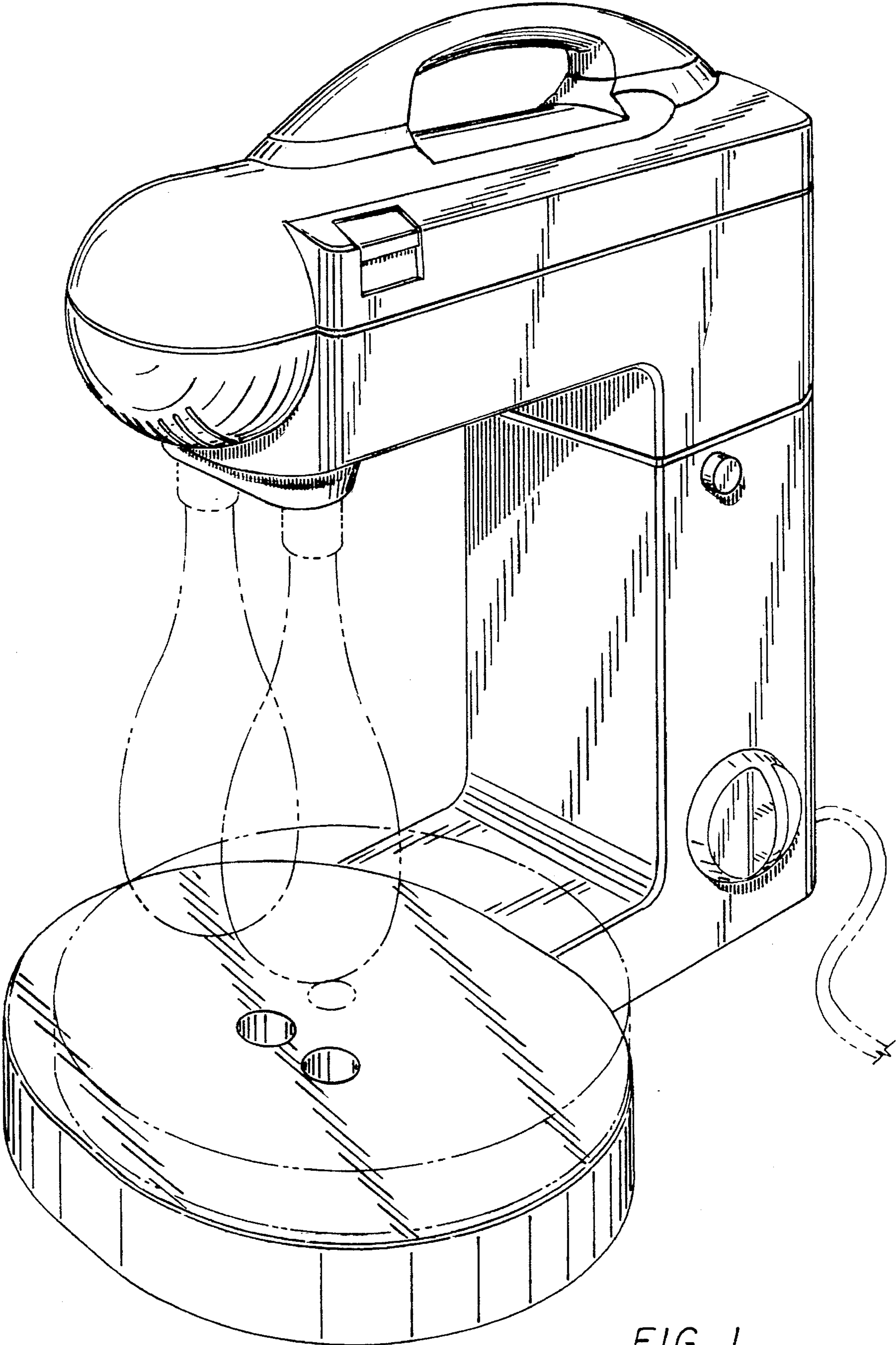


FIG. 1

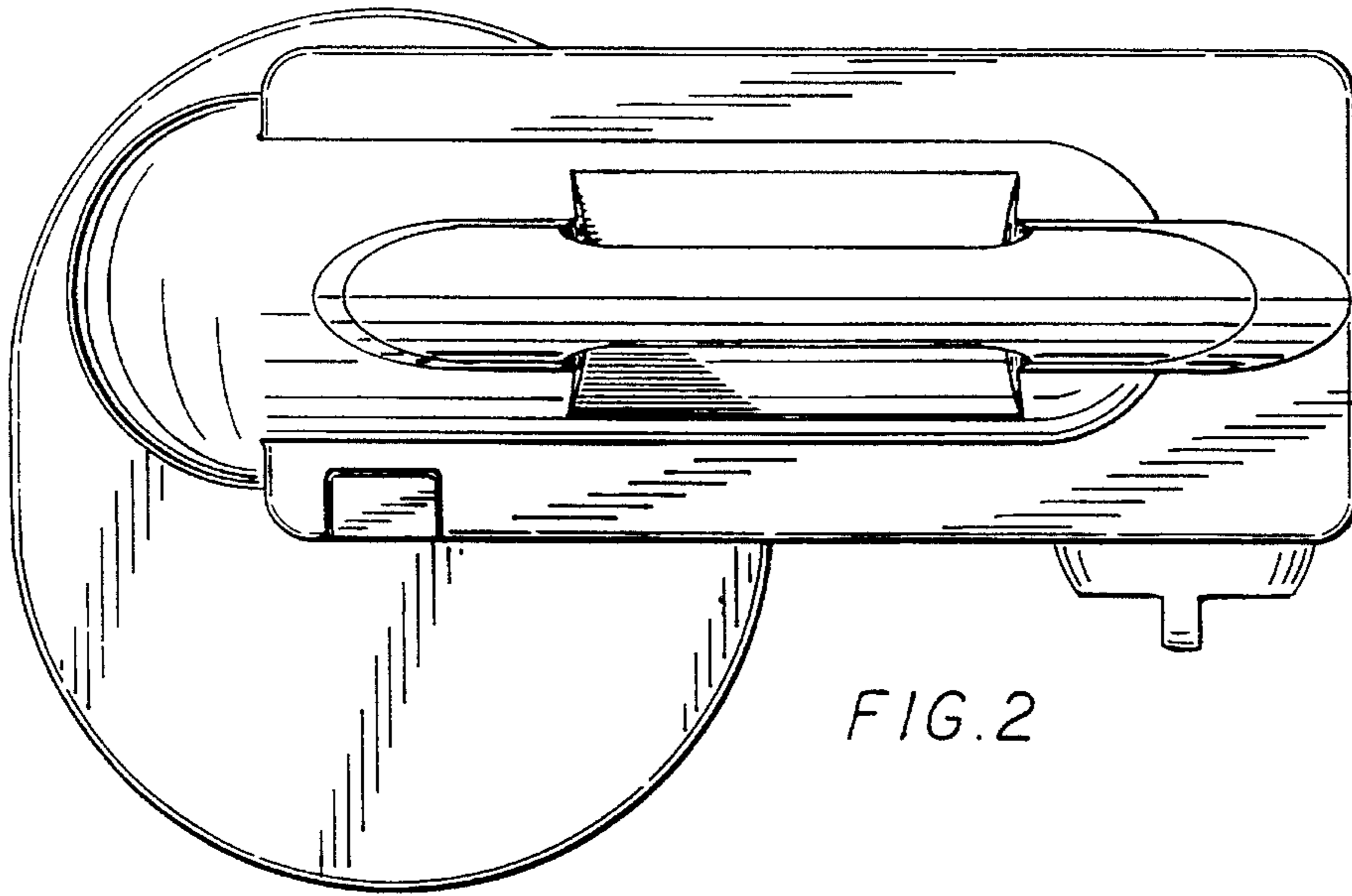


FIG. 2

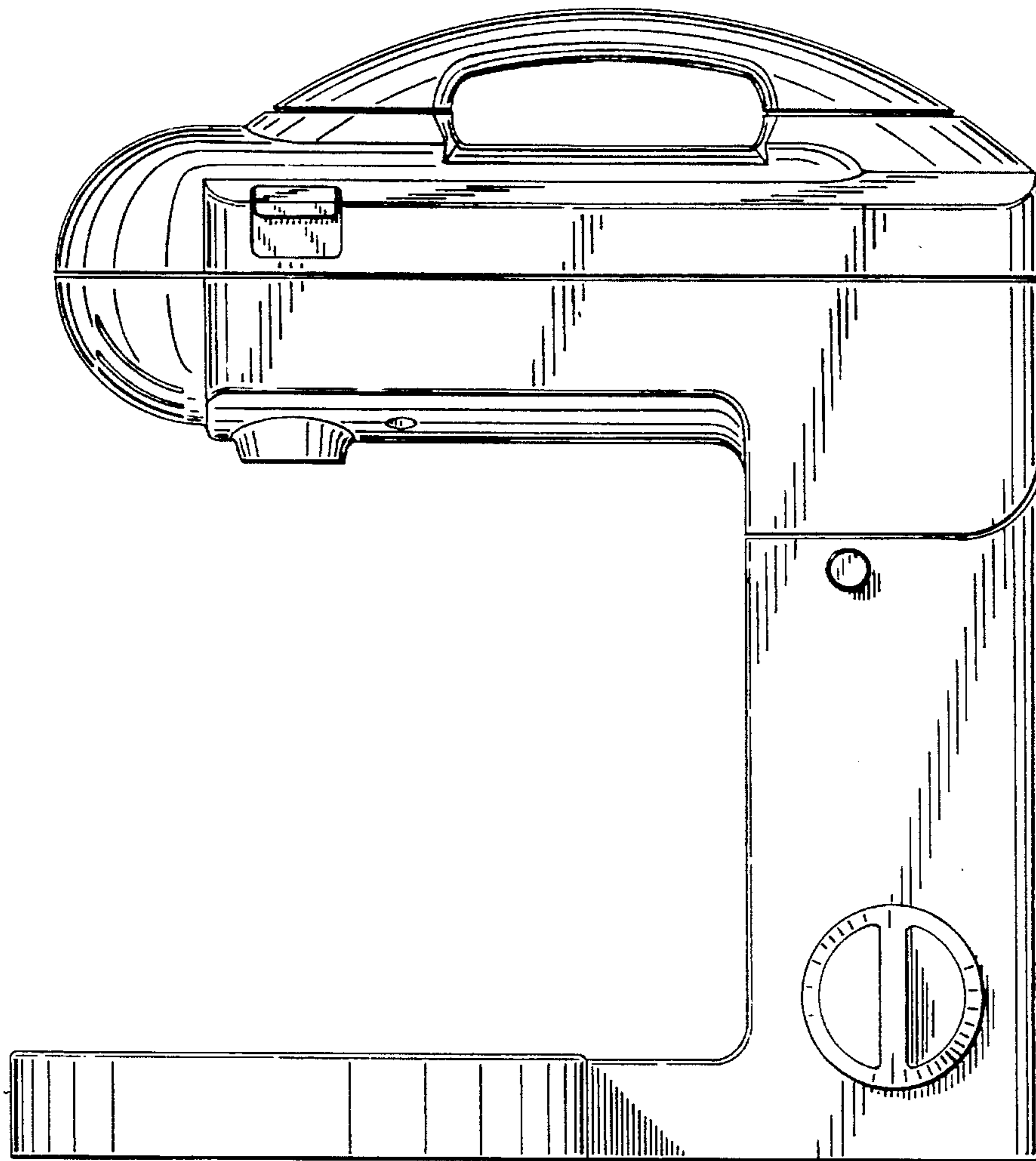


FIG. 3

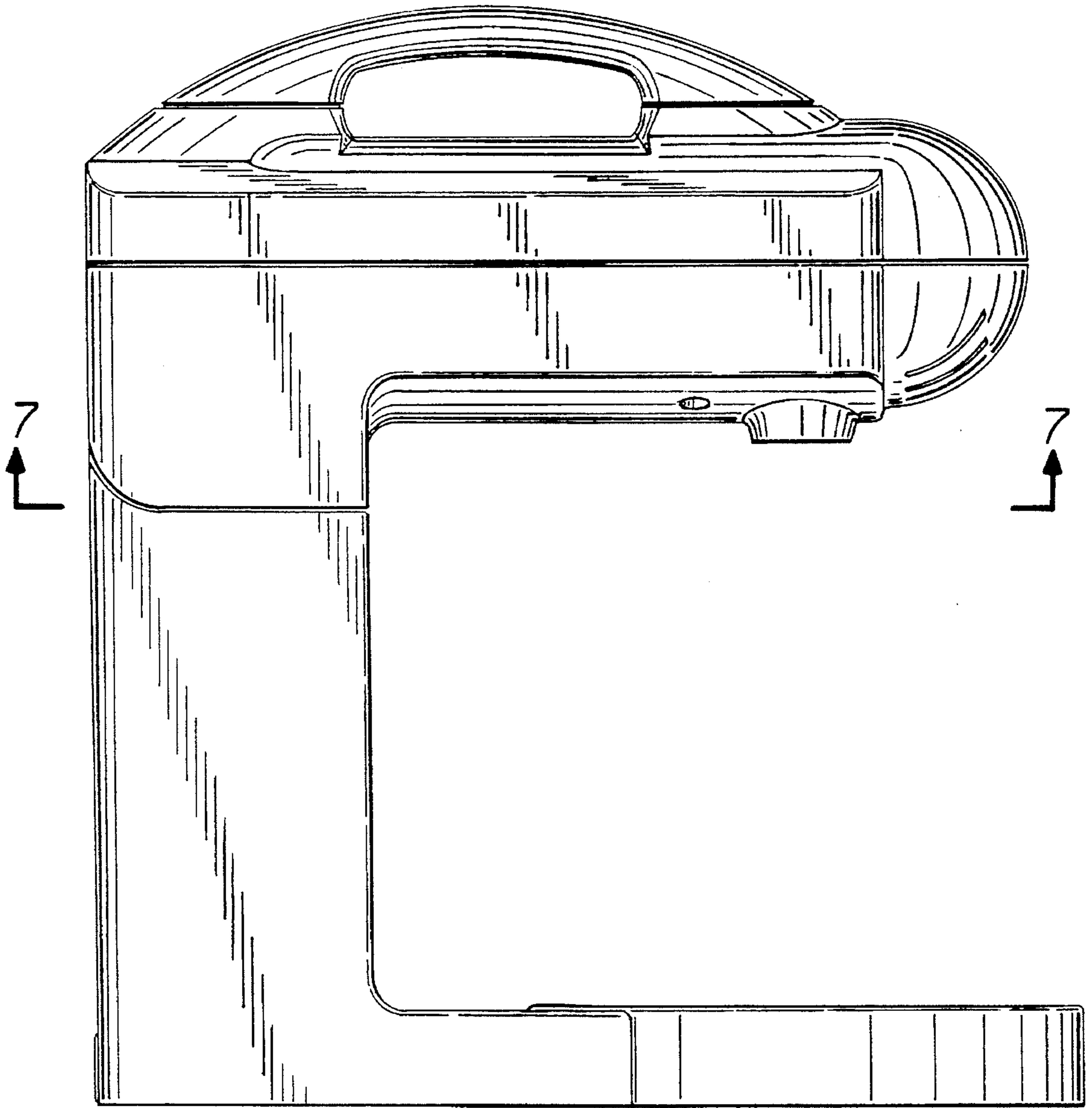


FIG. 4

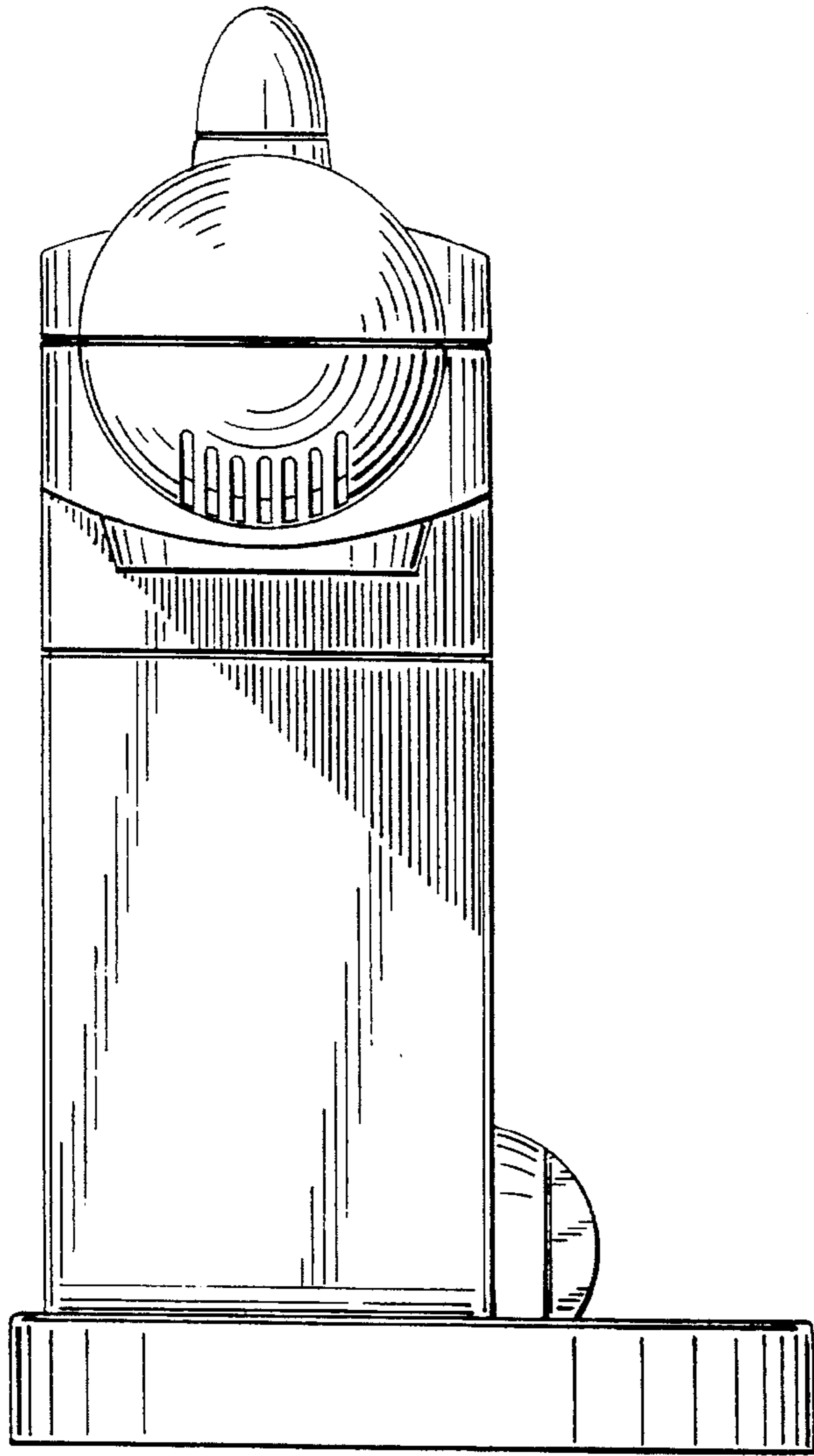


FIG. 5

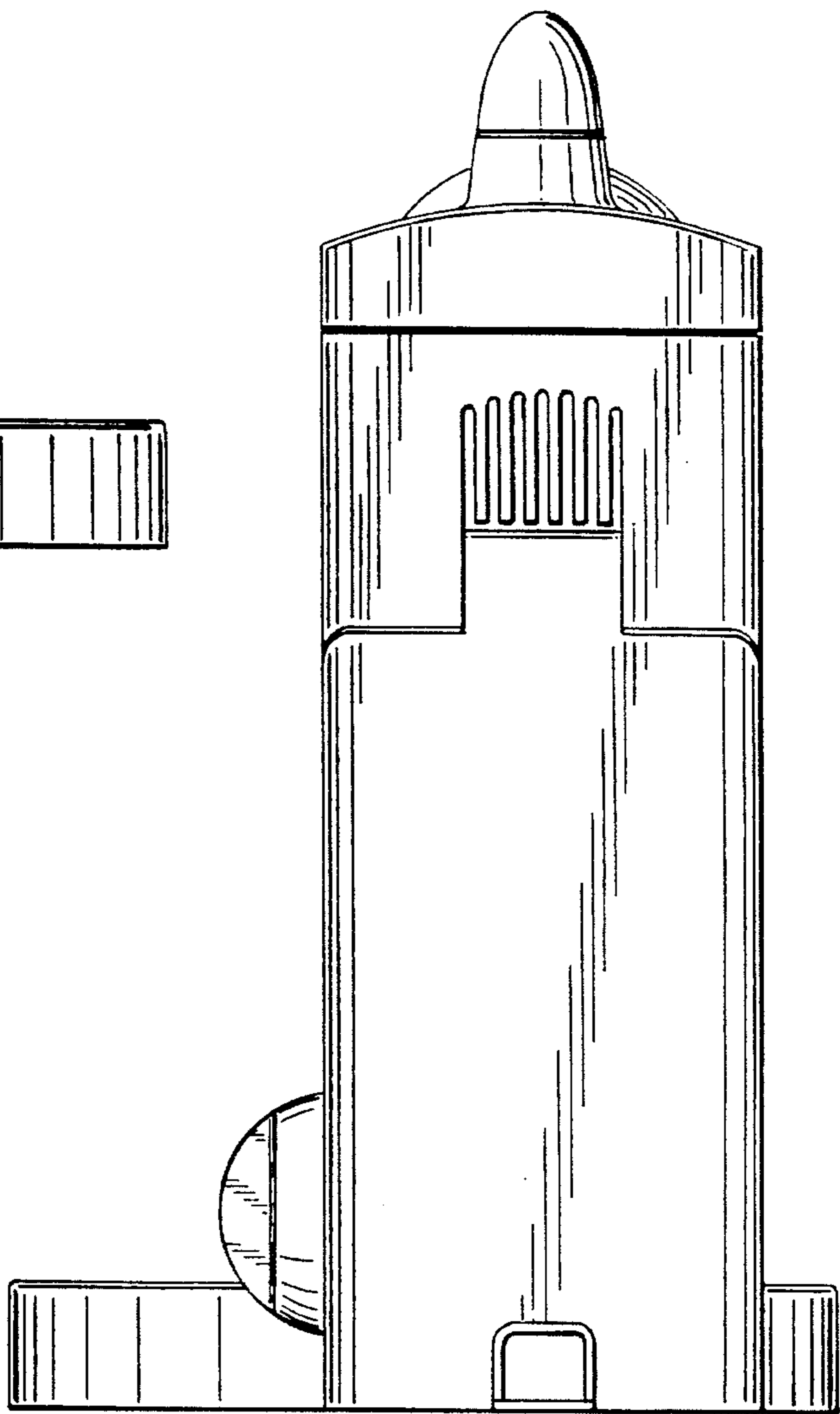


FIG. 6

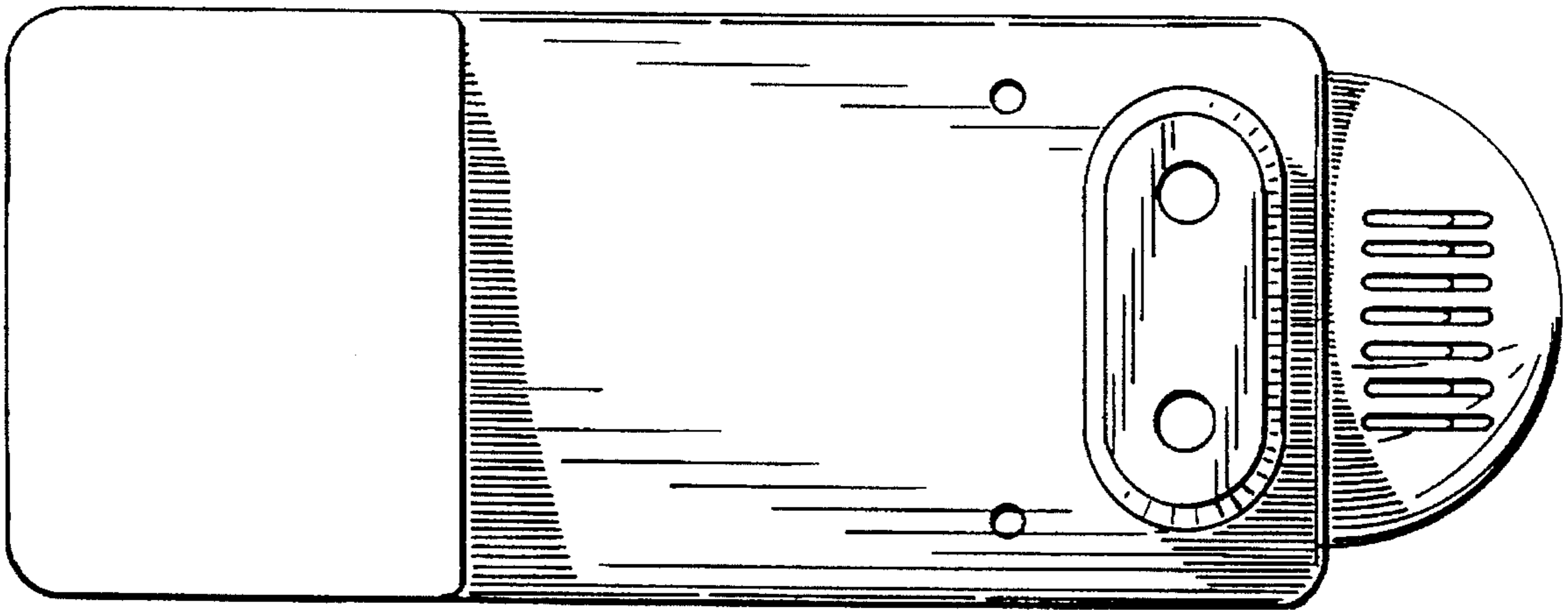


FIG. 7

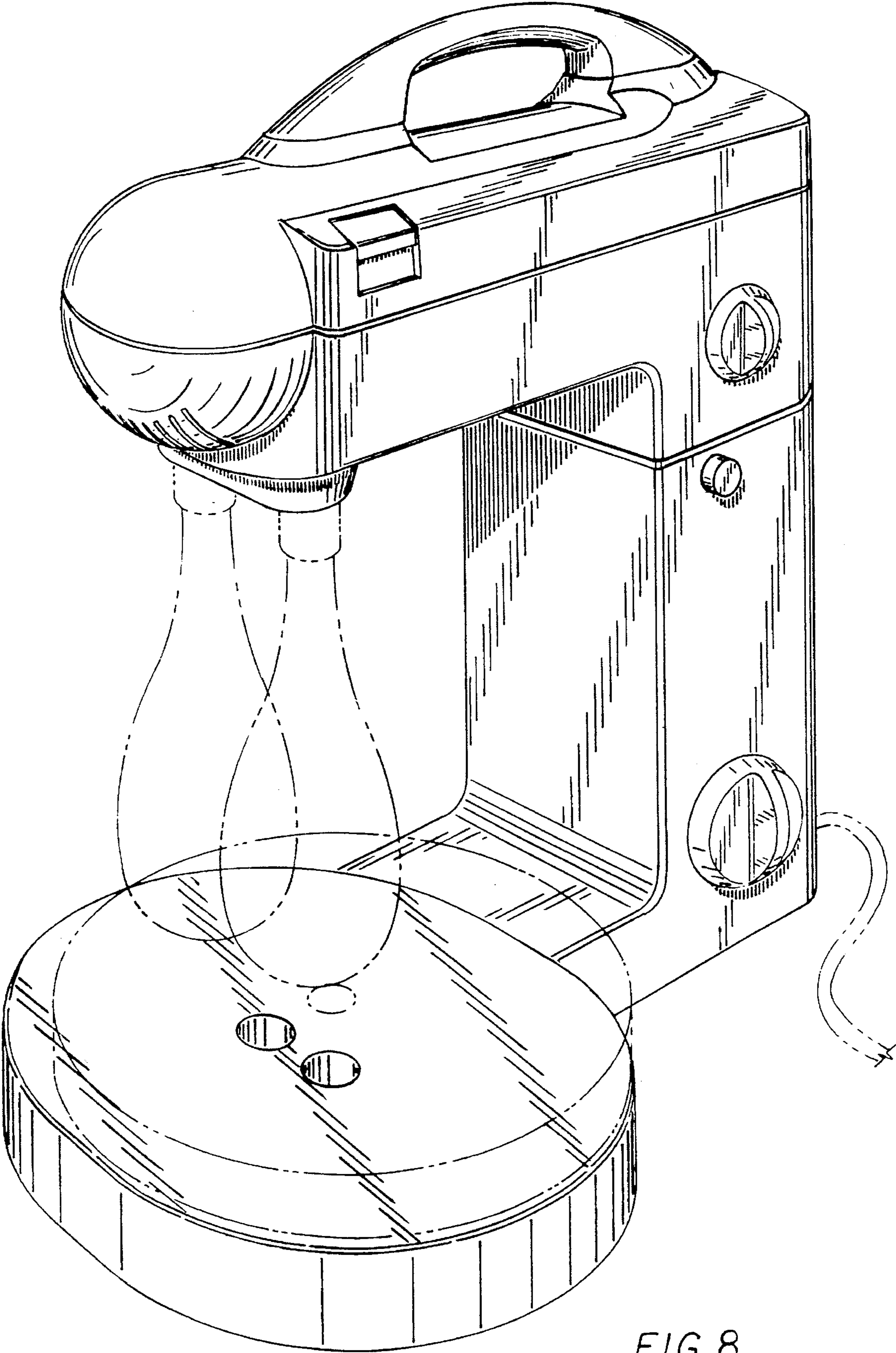


FIG. 8

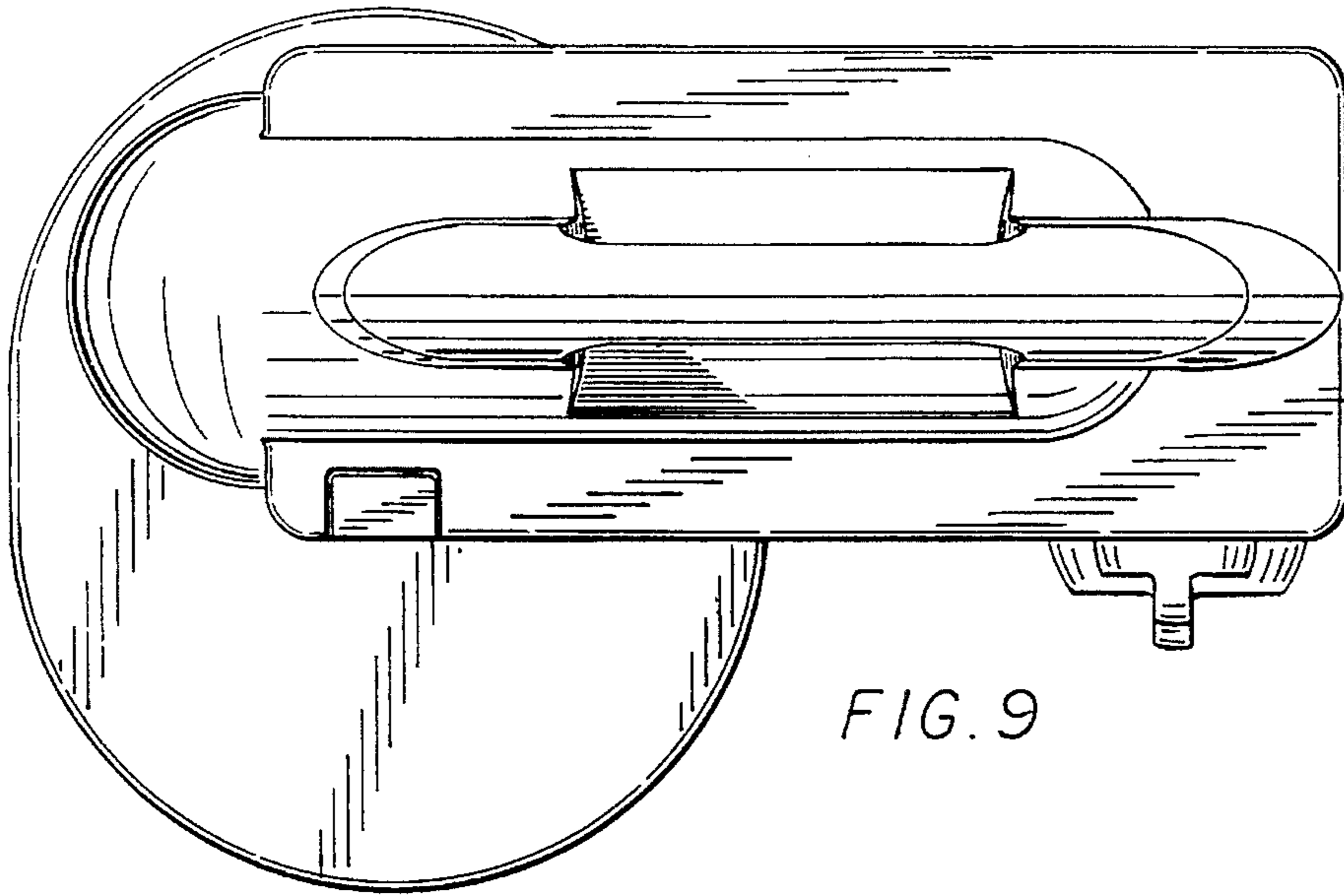


FIG. 9

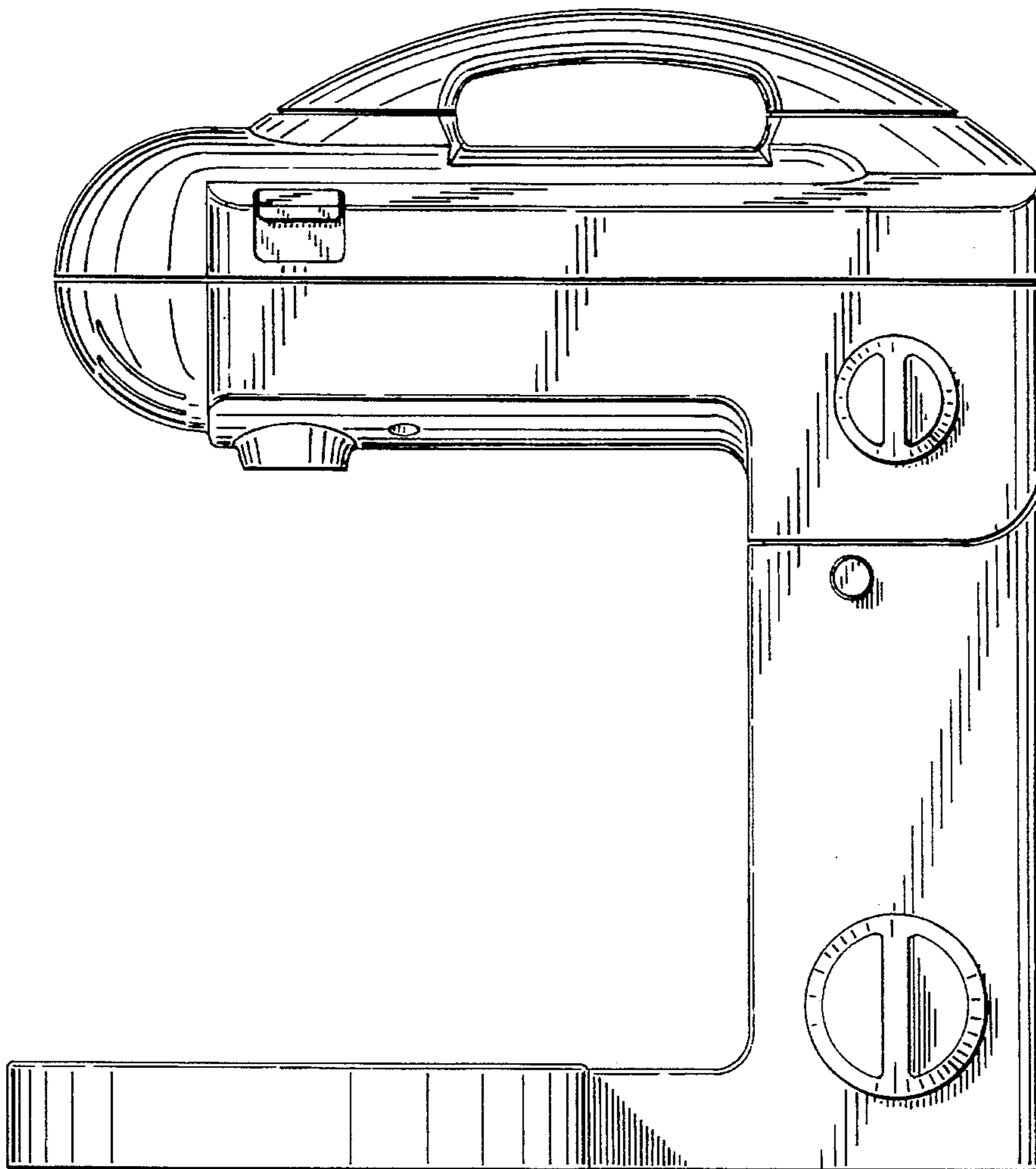


FIG. 10

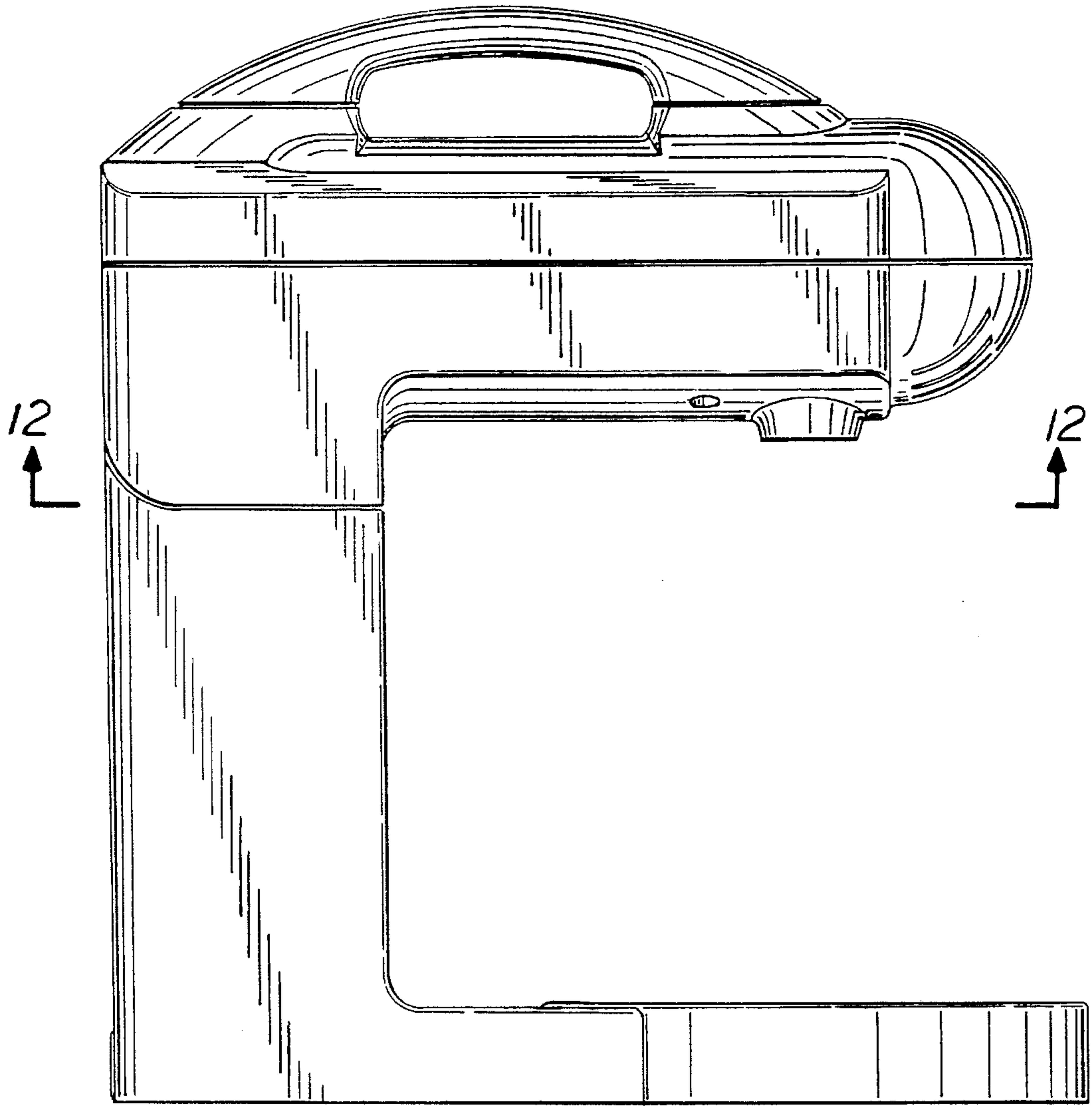


FIG. 11

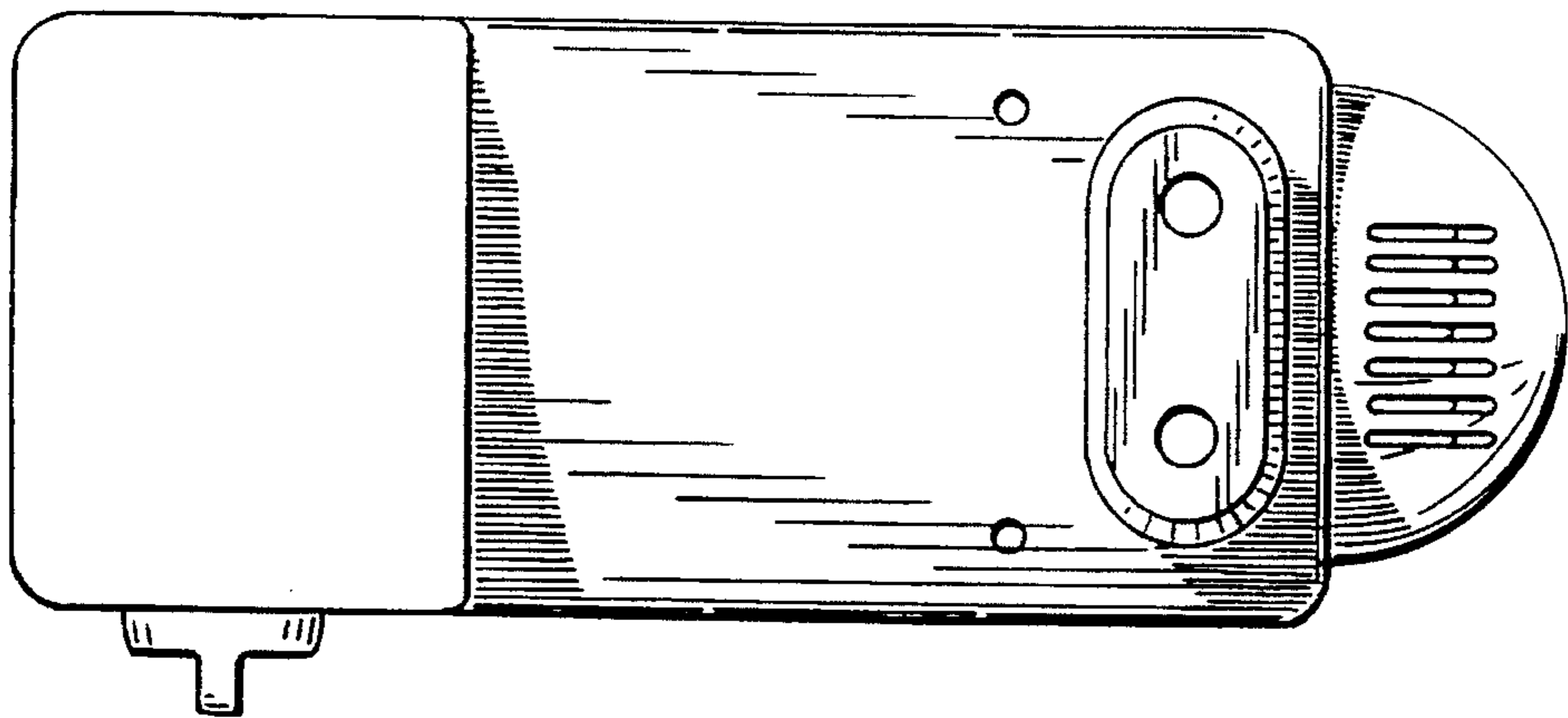


FIG. 12

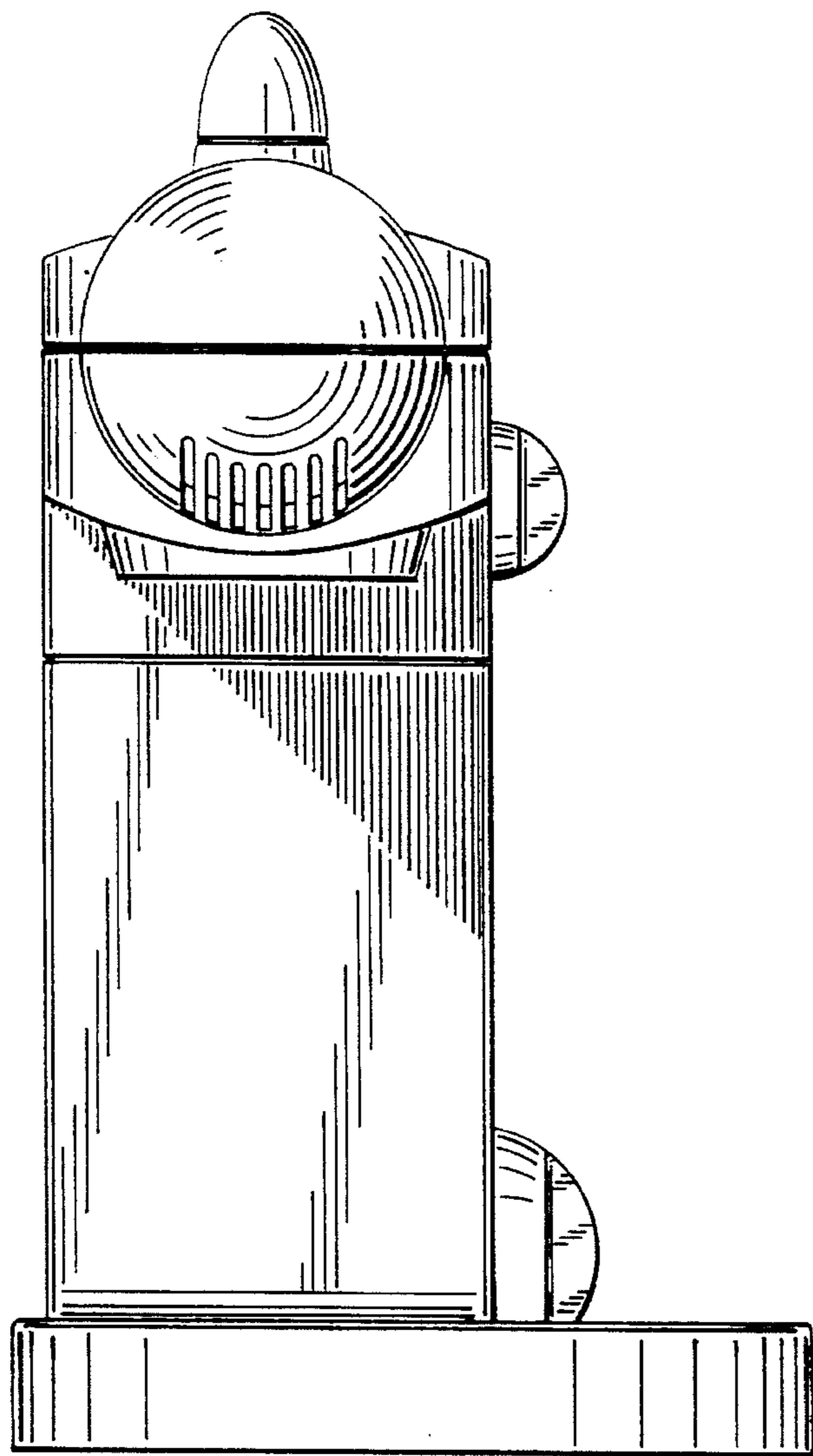


FIG. 13

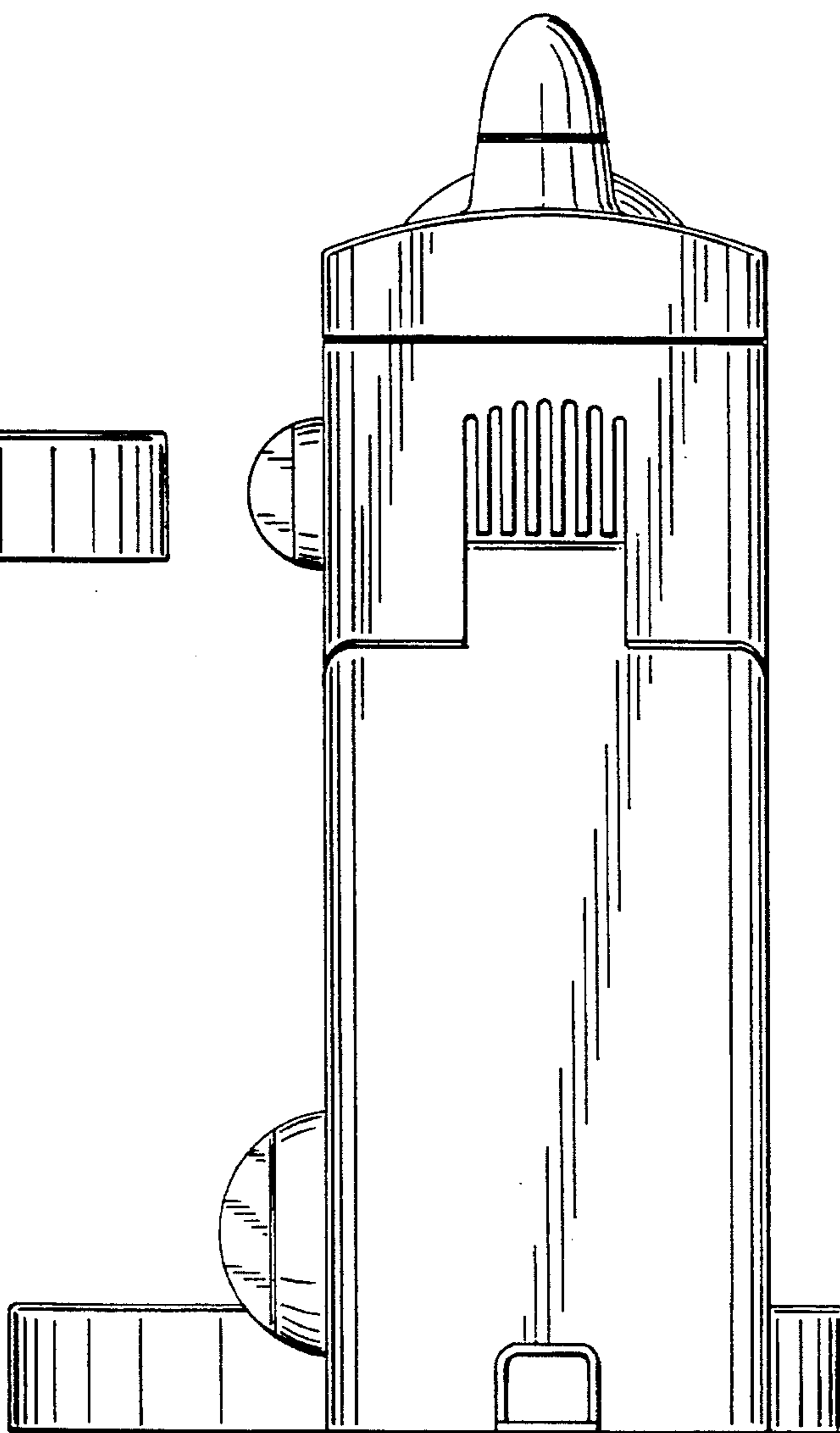


FIG. 14