



US00D378559S

United States Patent [19]
Gudefin

[11] **Patent Number: Des. 378,559**

[45] **Date of Patent: **Mar. 25, 1997**

[54] **COFFEE MACHINE**

[75] **Inventor: Jacques Gudefin, Saint-Priest, France**

[73] **Assignee: Calor S.A., Lyons, France**

[**] **Term: 14 Years**

[21] **Appl. No.: 48,593**

[22] **Filed: Jan. 4, 1996**

[30] **Foreign Application Priority Data**

Jul. 7, 1995 [FR] France 95 3769

[52] **U.S. Cl. D7/309; D7/311; D7/310**

[58] **Field of Search D7/309, 310, 311,
D7/312, 305, 300; 99/306, 295, 286, 304**

[56] **References Cited**

U.S. PATENT DOCUMENTS

D. 295,486	5/1988	Eugster et al.	D7/312 X
D. 337,475	7/1993	Seiffert	D7/309
D. 344,205	2/1994	Saltet	D7/310 X
D. 360,555	7/1995	Gil De Miguel	D7/309
D. 364,306	11/1995	Storsberg	D7/309
D. 364,528	11/1995	Storsberg	D7/309
4,852,474	8/1989	Mahlich et al.	D7/309 X

OTHER PUBLICATIONS

Delonghi Bal Espresso/Cappuccino Maker HFD p. 131 Jan. 16, 1989.

Salton "Three For All" Coffeemachine (2) W. Bell 1987 p. 297.

Primary Examiner—M. N. Pandozzi

Attorney, Agent, or Firm—Greenblum & Bernstein P.L.C.

[57] **CLAIM**

The design for a coffee machine, as shown and described.

DESCRIPTION

FIG. 1 is a front elevational view of the coffee machine according to the present creation;

FIG. 2 is a ¾ perspective view thereof from the right side and from the front;

FIG. 3 is a ¾ perspective view thereof from the left side and from the front;

FIG. 4 is a ¾ perspective view thereof from the right side and from the rear;

FIG. 5 is a ¾ perspective view thereof from the left side and from the rear;

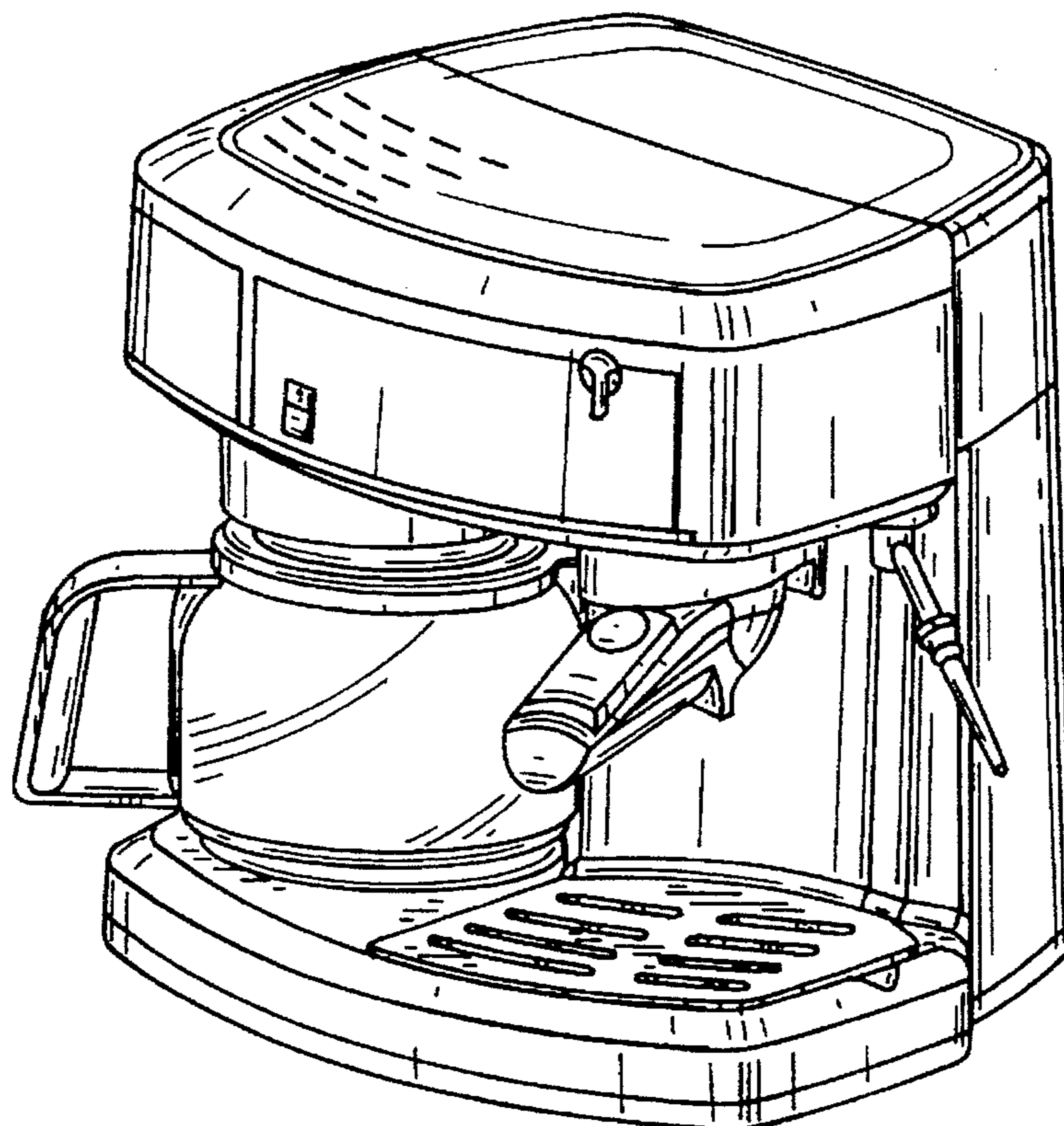
FIG. 6 is a left side elevational view thereof;

FIG. 7 is a right side elevational view thereof;

FIG. 8 is a top plan view thereof; and,

FIG. 9 is a bottom plan view thereof.

1 Claim, 4 Drawing Sheets



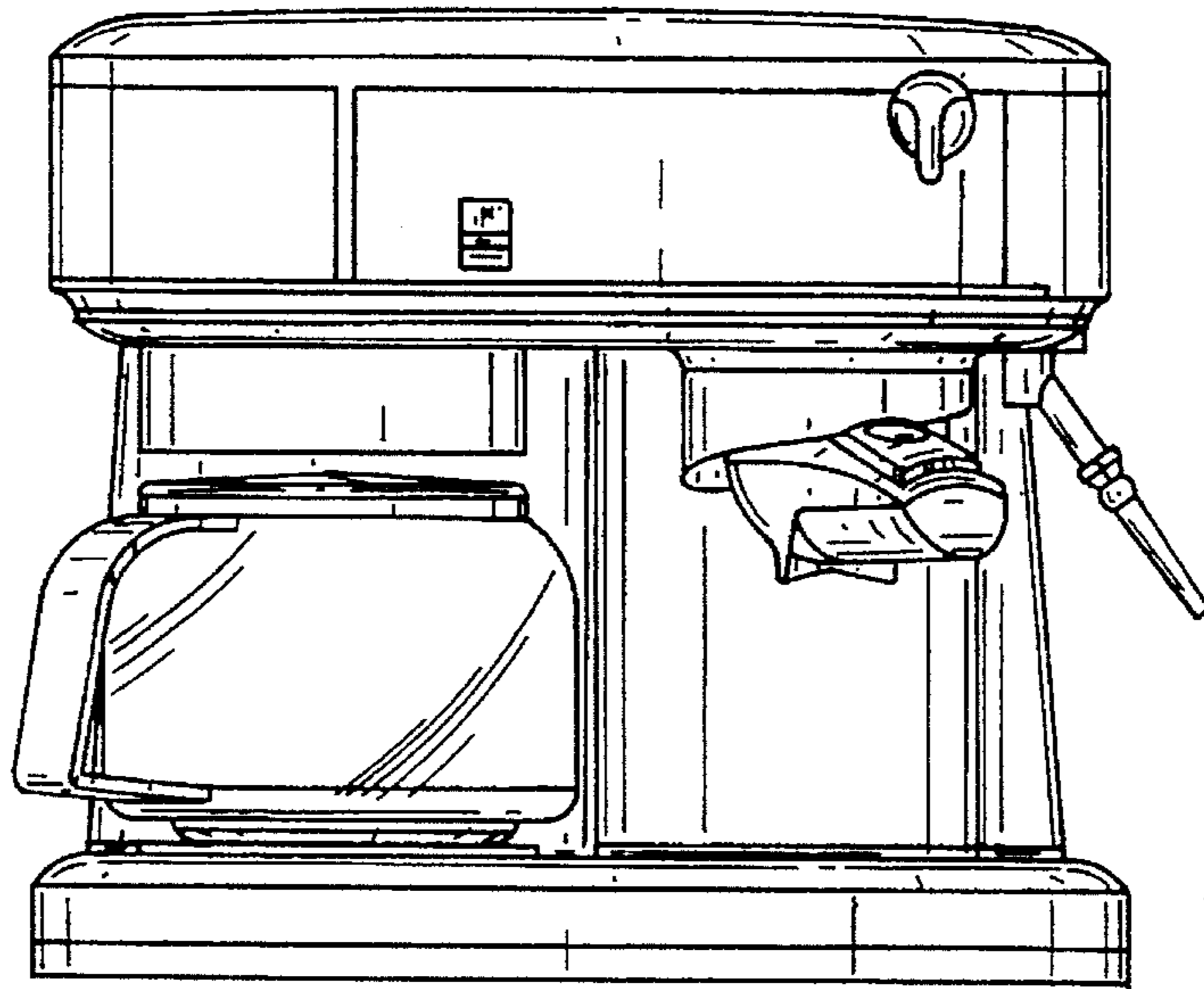


FIG. 1

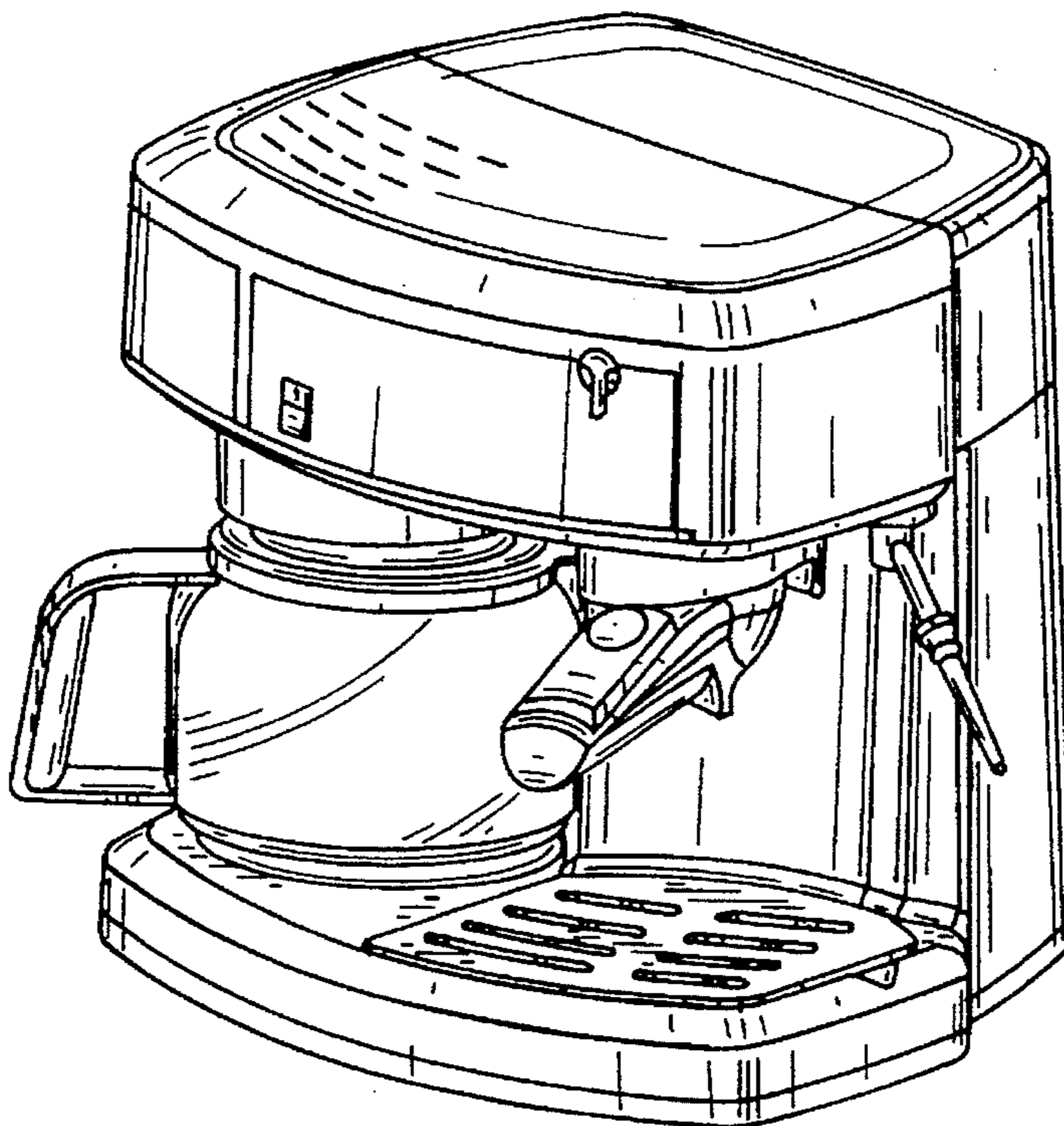


FIG. 2

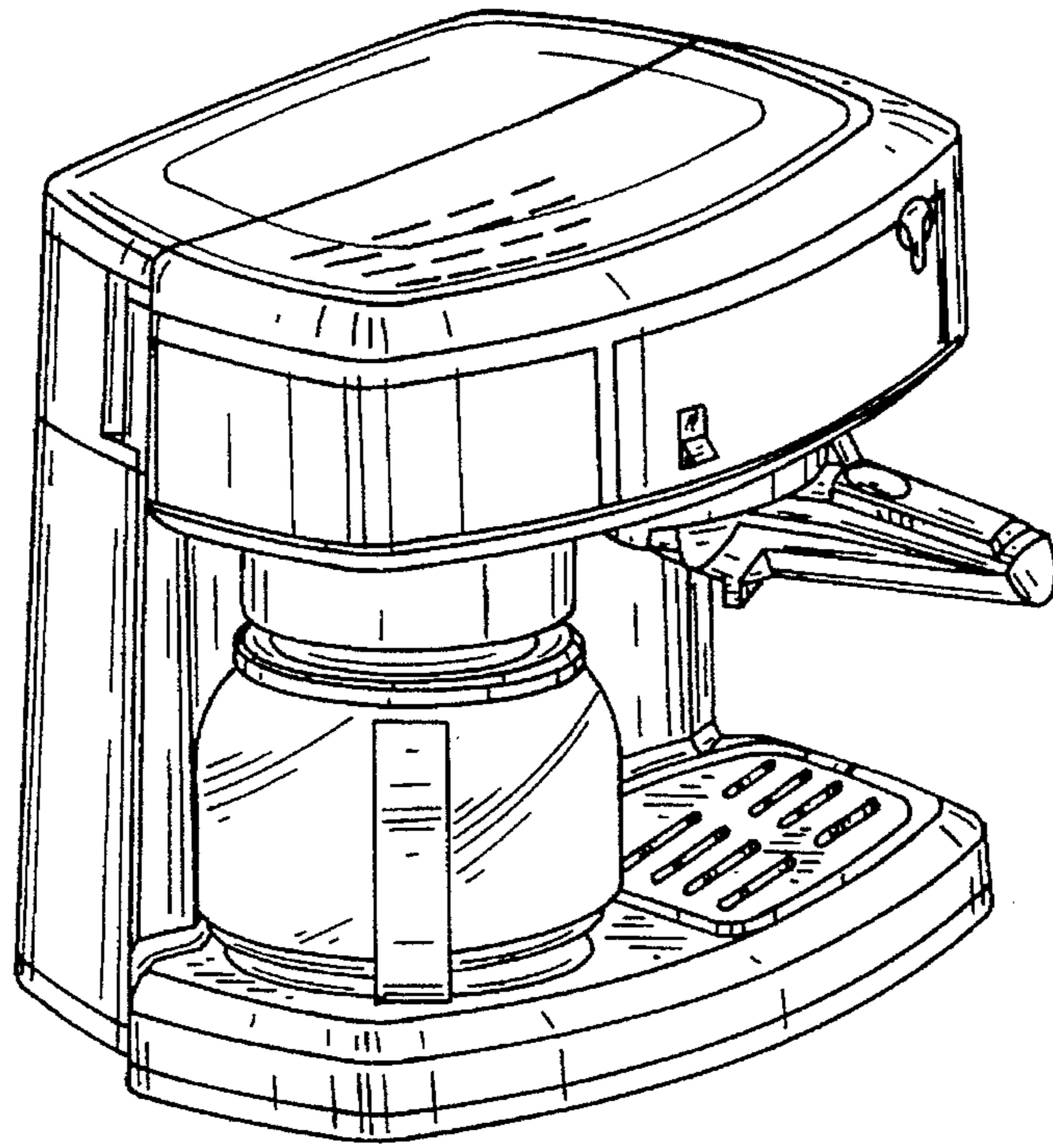


FIG. 3

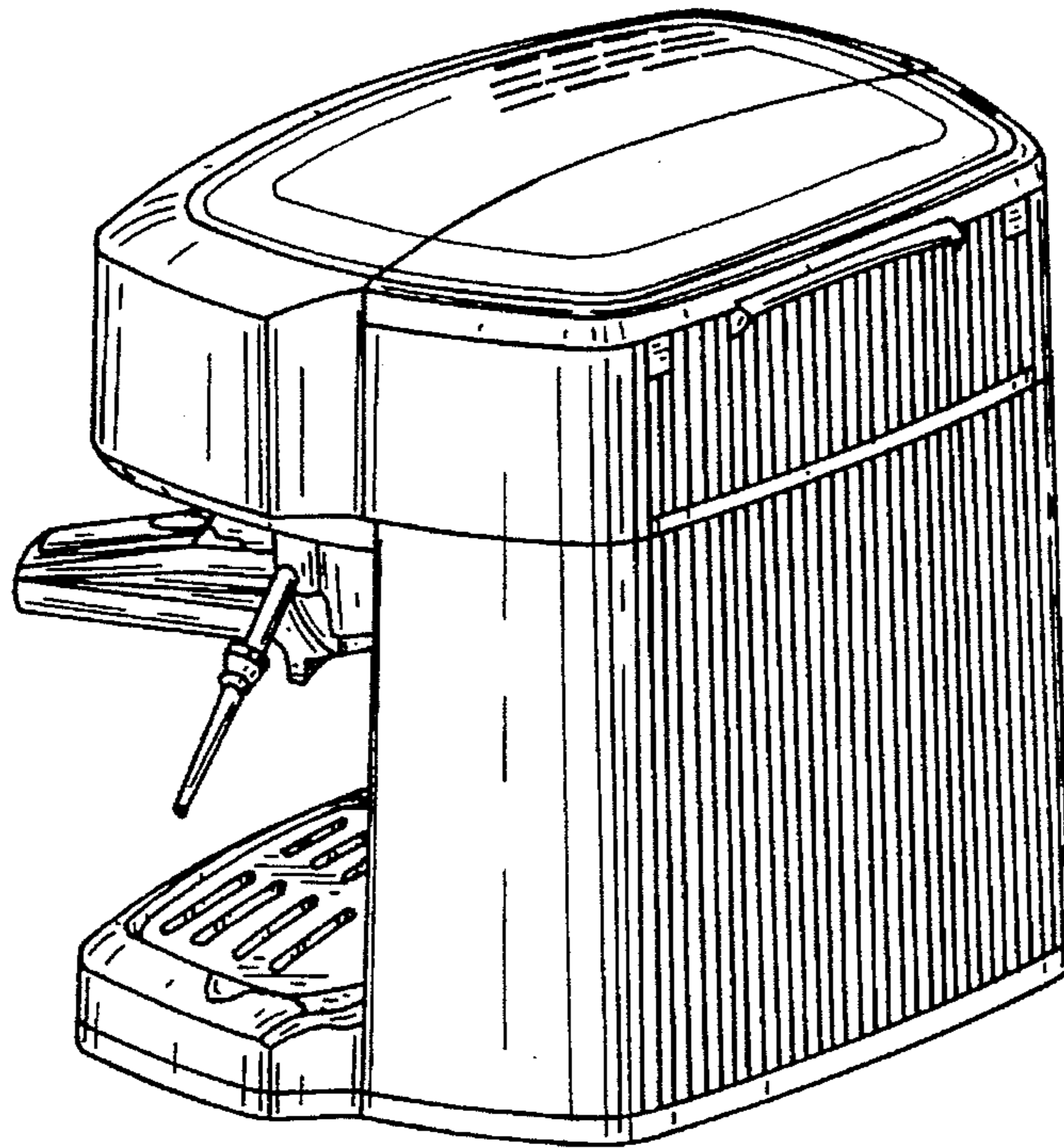


FIG. 4

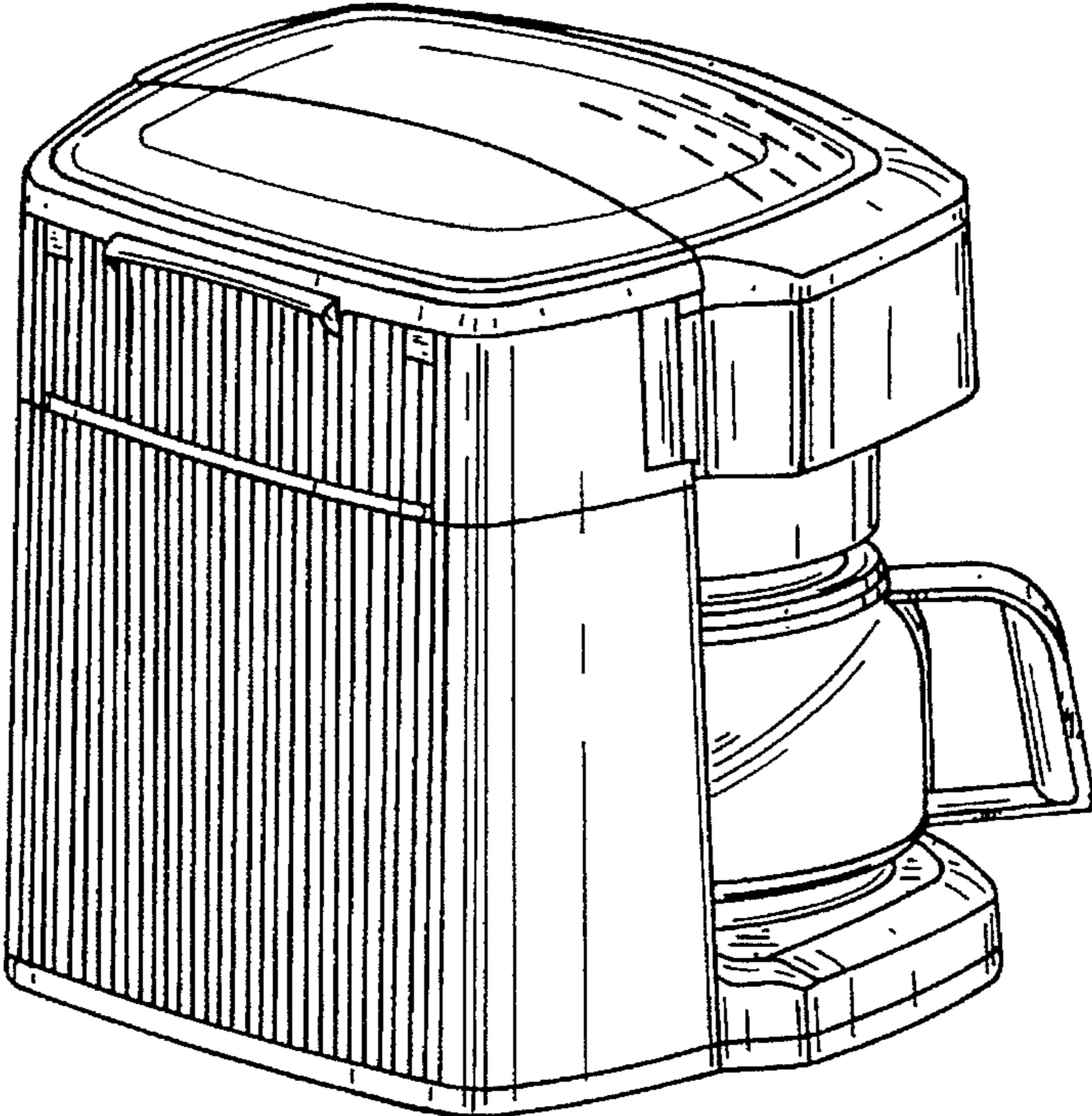


FIG. 5

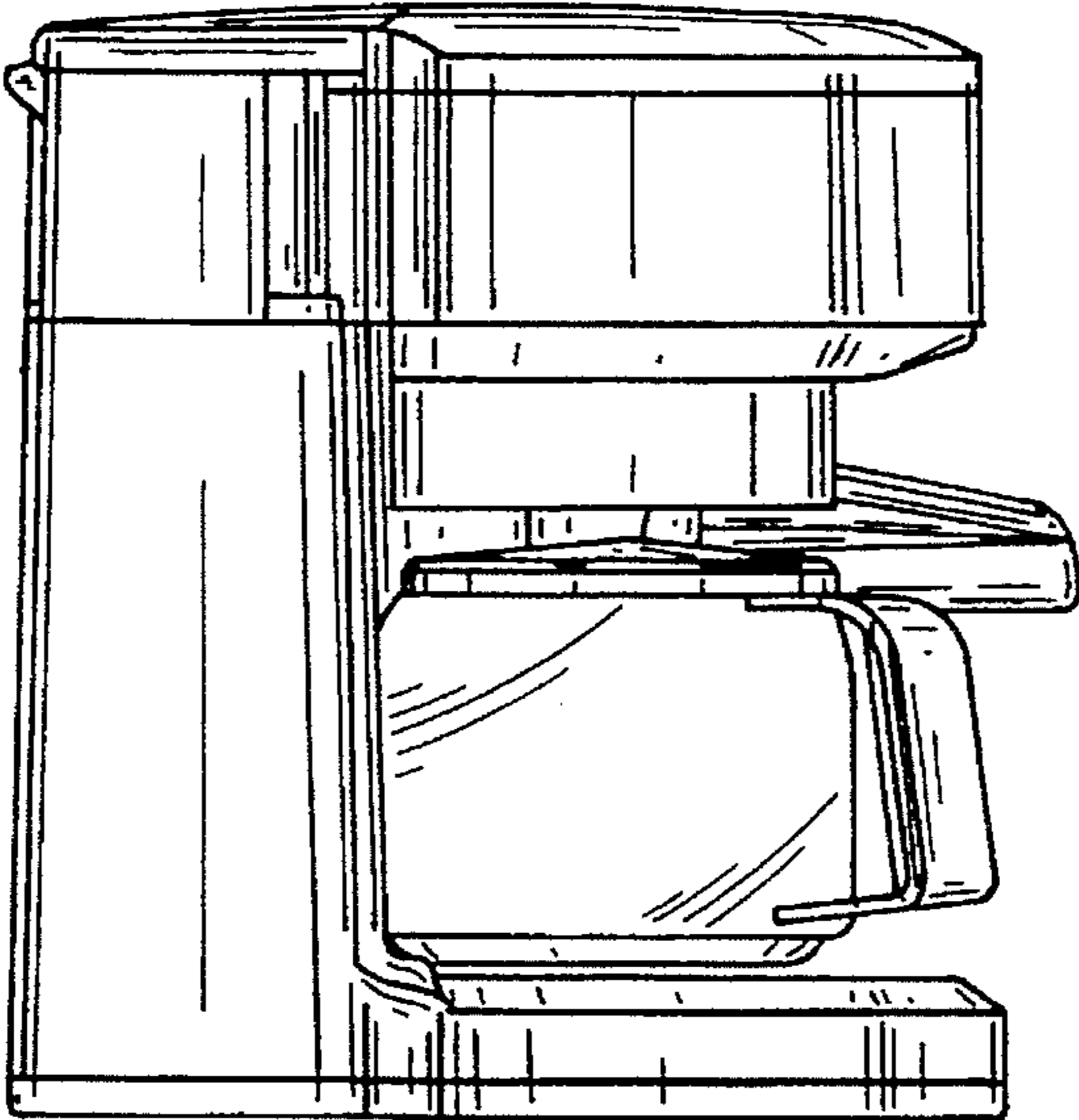


FIG. 6

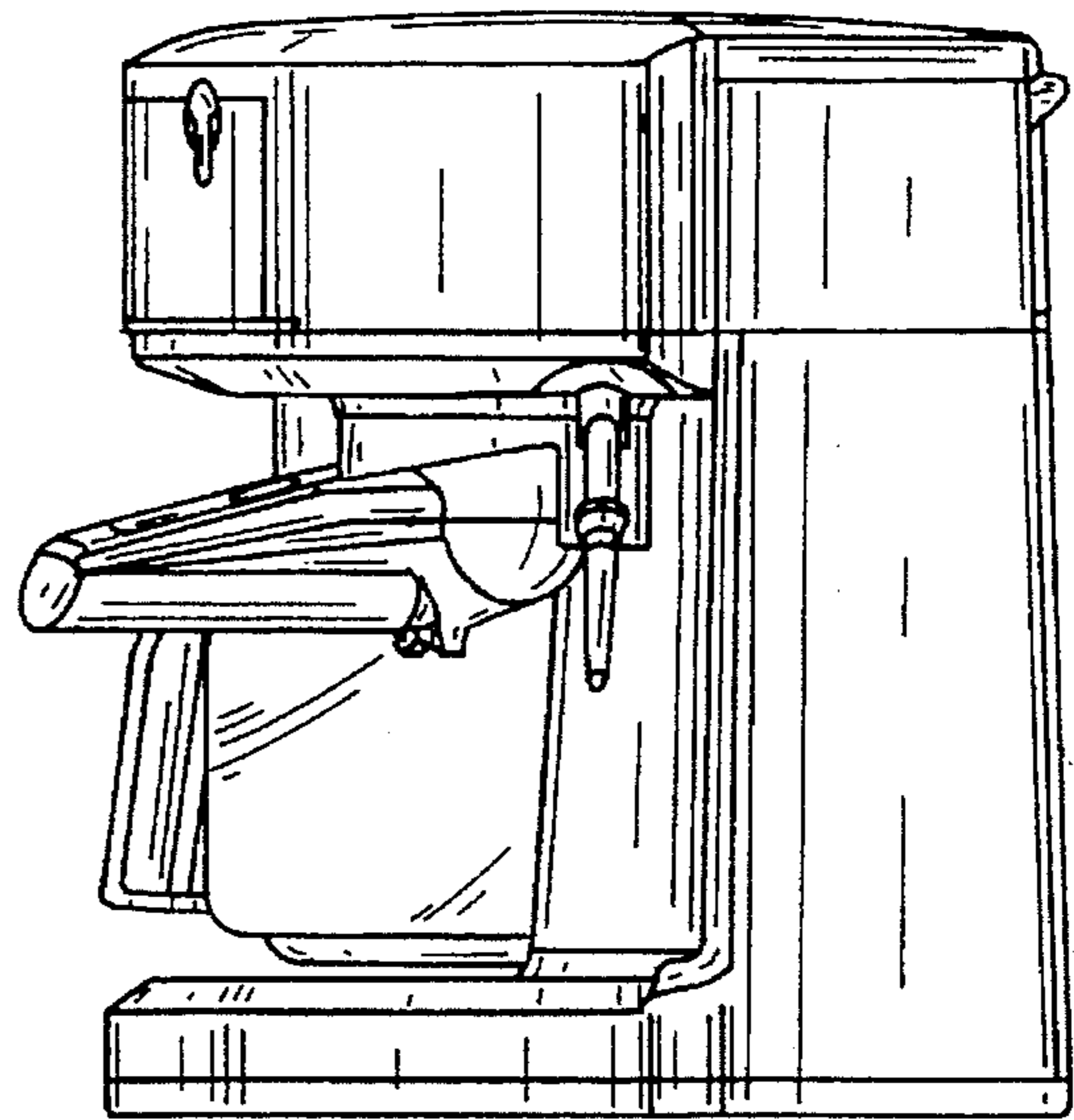


FIG. 7

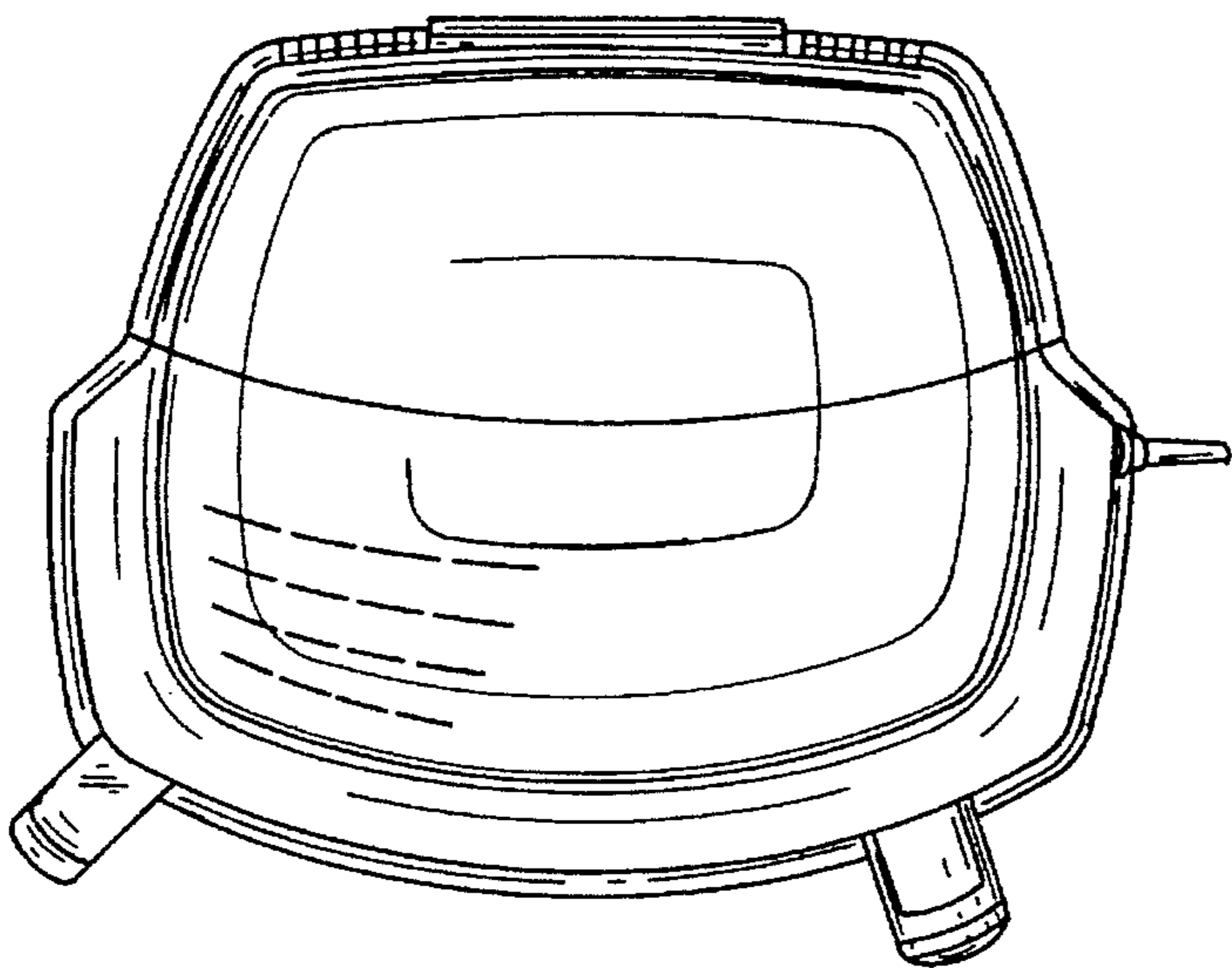


FIG. 8

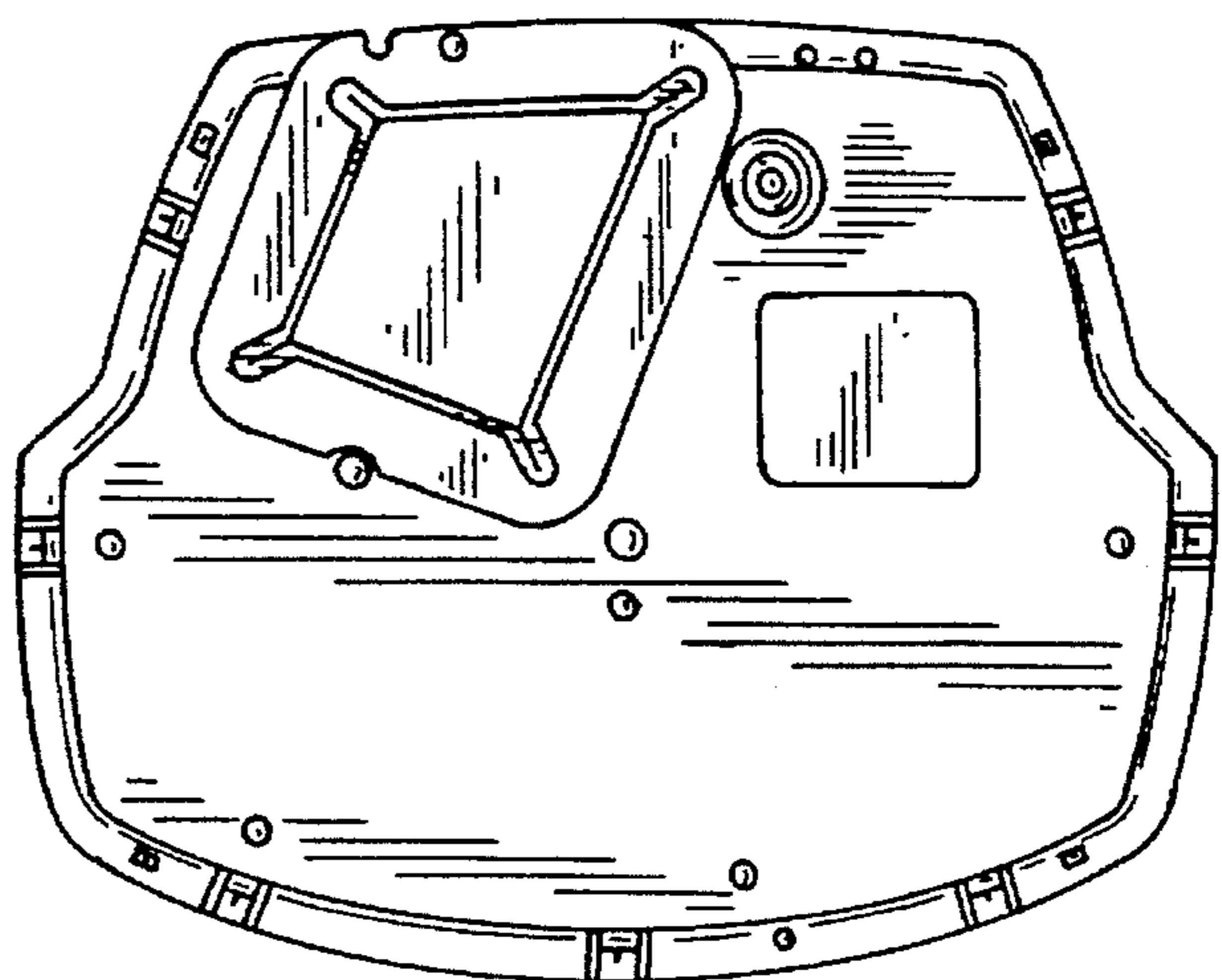


FIG. 9