



US00D378556S

# United States Patent [19]

Munoz

[11] Patent Number: **Des. 378,556**

[45] Date of Patent: **\*\*Mar. 25, 1997**

[54] **SHOWER CADDY**

D. 371,031 6/1996 Munoz ..... D6/525

[75] Inventor: **Raul Munoz**, Chicago, Ill.

*Primary Examiner*—Marcus A. Jackson

[73] Assignee: **Selfix, Inc.**, Chicago, Ill.

*Attorney, Agent, or Firm*—Dressler, Goldsmith, Milnamow & Katz, Ltd.

[\*\*] Term: **14 Years**

### [57] CLAIM

[21] Appl. No.: **49,024**

The ornamental design for a shower caddy, as shown and described.

[22] Filed: **Dec. 26, 1995**

### DESCRIPTION

[52] U.S. Cl. .... **D6/525**

[58] Field of Search ..... D6/524, 525; 211/71, 211/86, 87, 88, 119, 181

FIG. 1 is a perspective view of a shower caddy, showing my new design;

FIG. 2 is a front elevational view thereof;

FIG. 3 is a right side elevational view thereof;

FIG. 4 is a left side elevational view thereof;

FIG. 5 is a rear elevational view thereof;

FIG. 6 is a top plan view thereof; and,

FIG. 7 is a bottom plan view thereof.

### [56] References Cited

#### U.S. PATENT DOCUMENTS

D. 351,750	10/1994	Sweeney	.....	D6/525
D. 367,790	3/1996	Munoz et al.	.....	D6/525
D. 368,614	4/1996	Munoz	.....	D6/525
D. 370,810	6/1996	Munoz	.....	D6/525

**1 Claim, 4 Drawing Sheets**

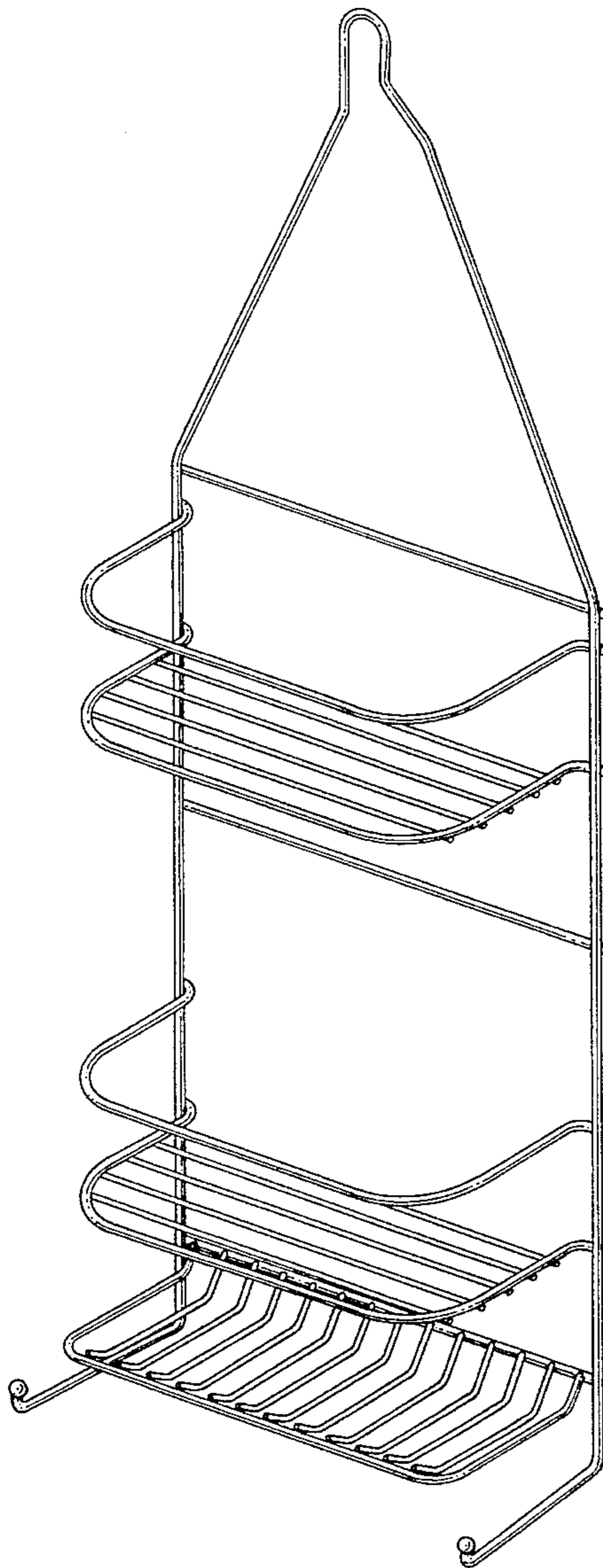
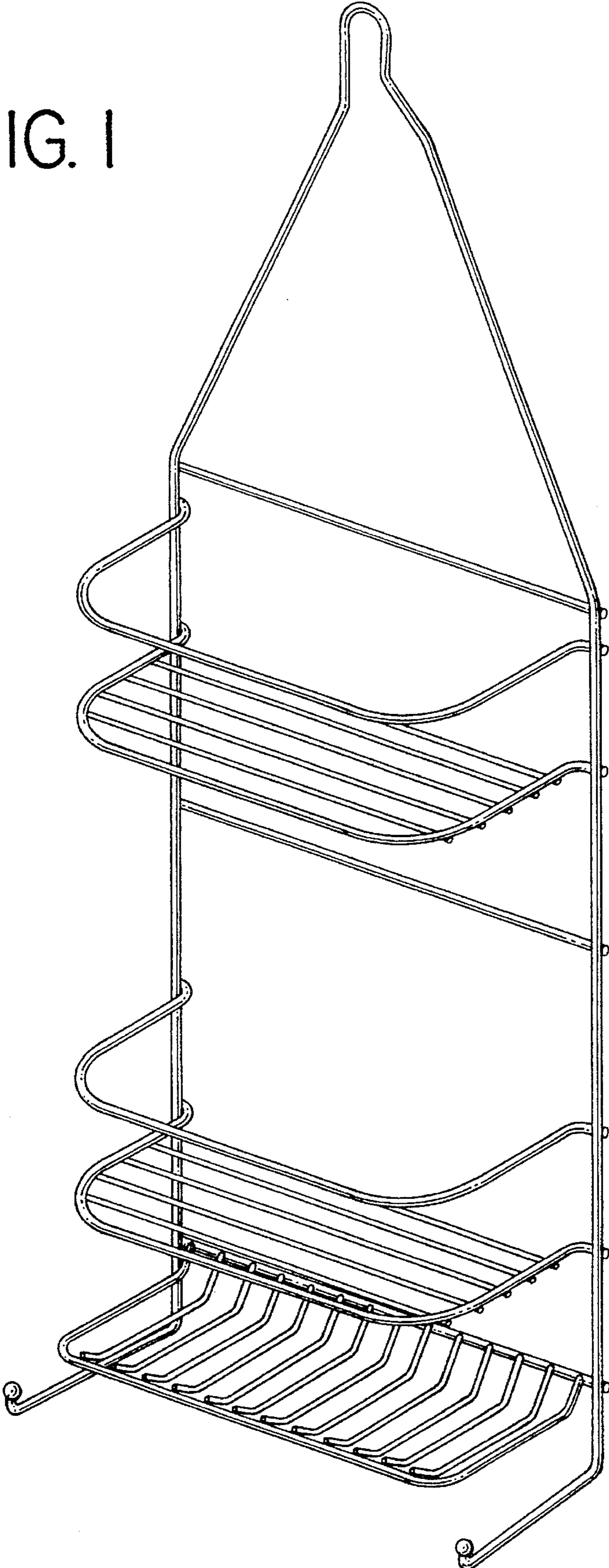


FIG. 1



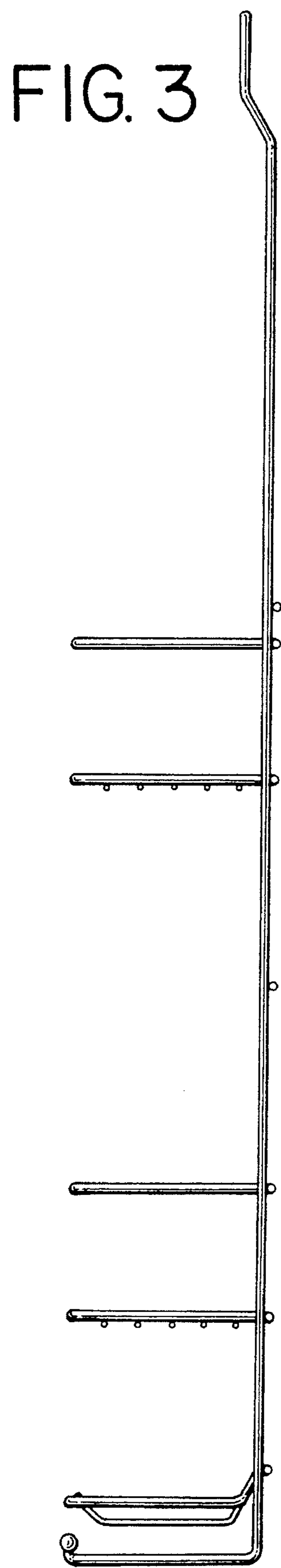
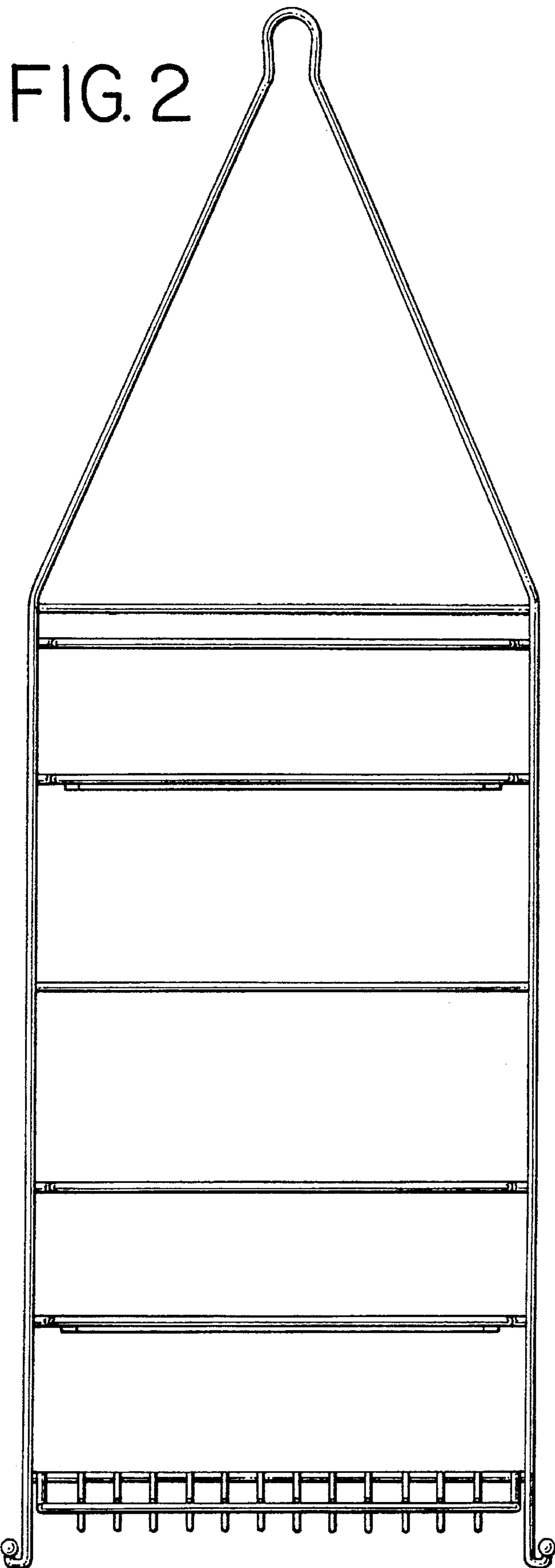


FIG. 4

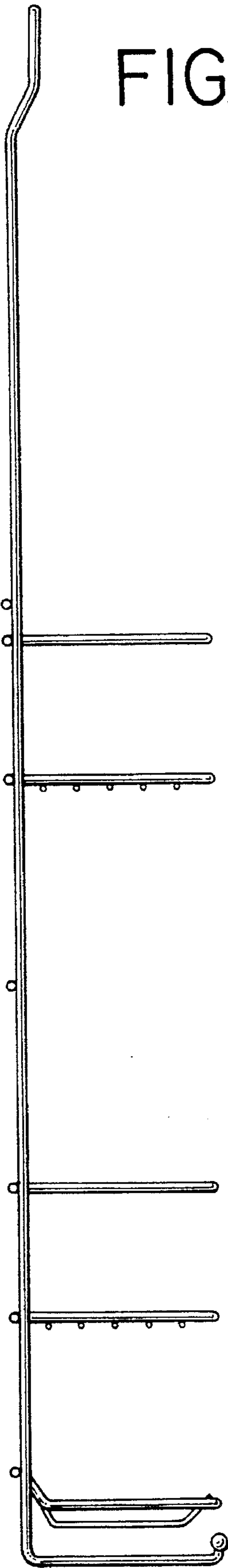


FIG. 5

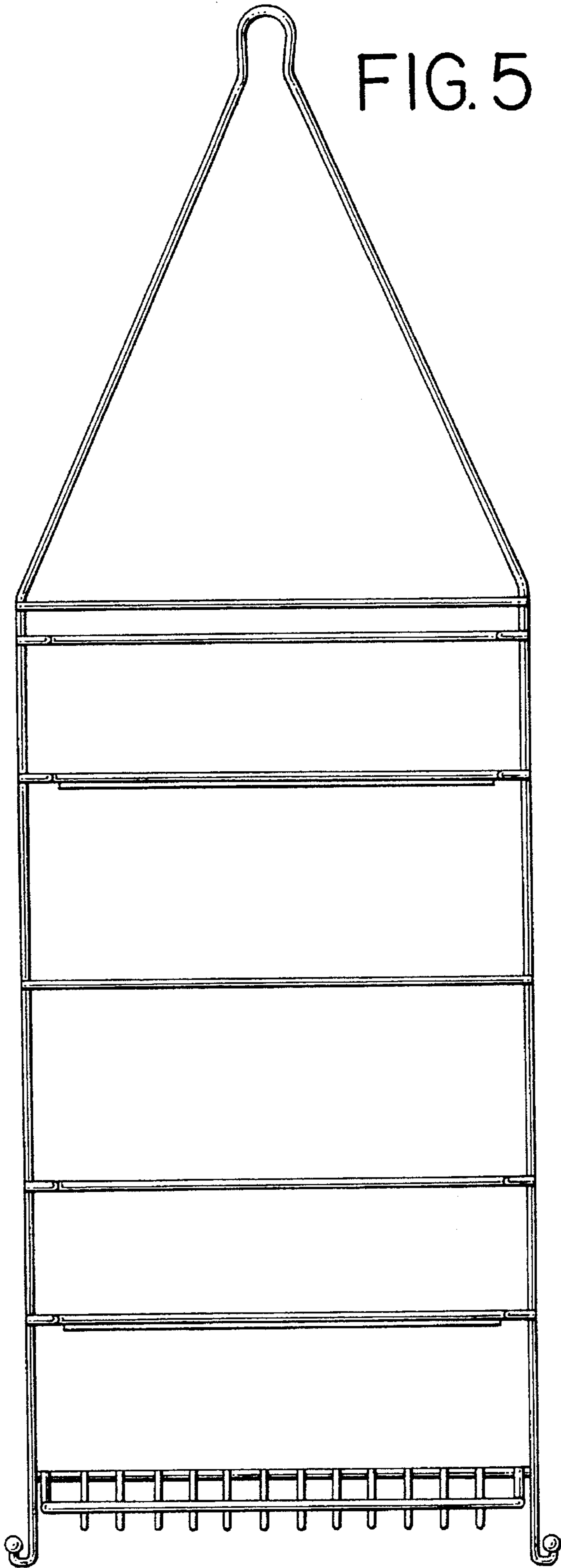




FIG. 6

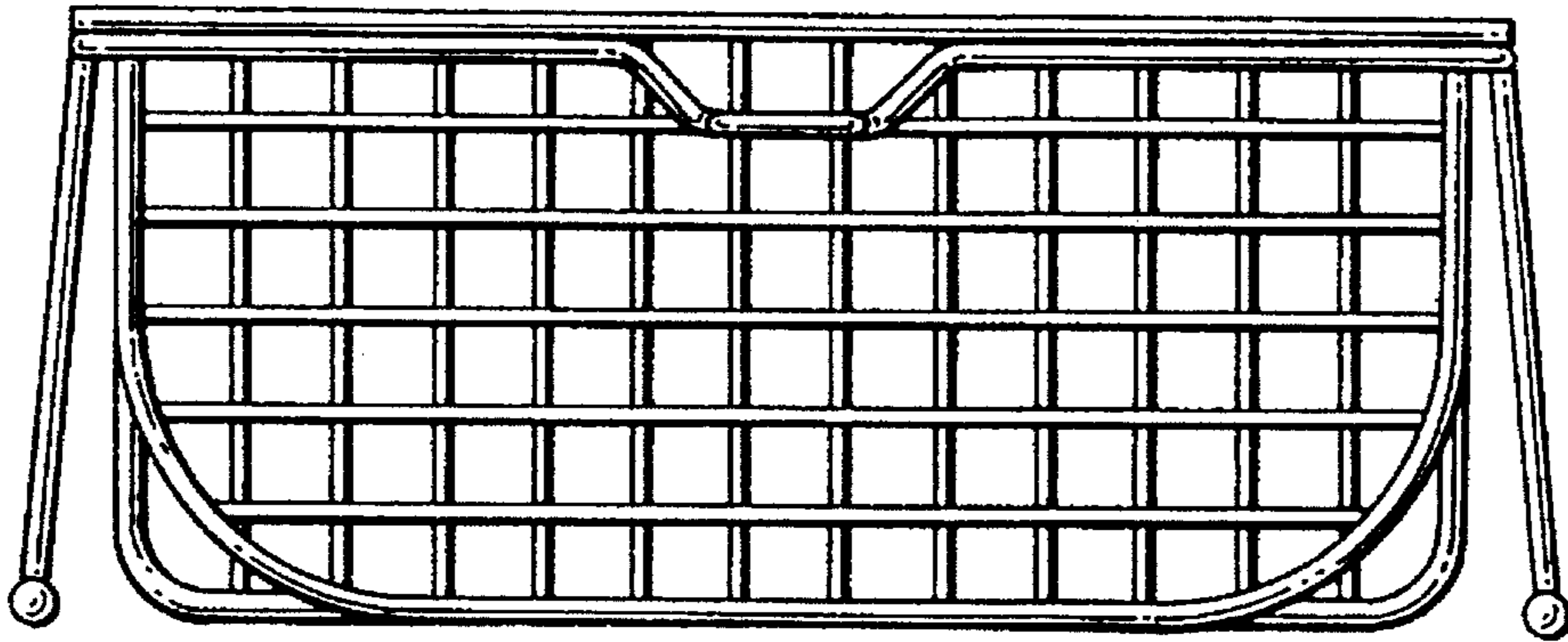


FIG. 7

